

[54] PLOW FRAME

[75] Inventors: James A. Swartzendruber, Bettendorf, Iowa; Gary A. Rehn, Geneseo; Edwin C. Self, East Moline, both of Ill.

[73] Assignee: Deere & Company, Moline, Ill.

[**] Term: 14 Years

[21] Appl. No.: 509,908

[22] Filed: Jul. 1, 1983

[52] U.S. Cl. D15/33; D15/11; D15/27; D15/28

[58] Field of Search D15/10, 11, 27, 28, D15/33; 172/278, 282, 285-287, 314, 440, 695

[56] References Cited

U.S. PATENT DOCUMENTS

D. 165,765 1/1952 Klemm et al. D15/11

D. 269,182	5/1983	Whalen et al.	D15/11
3,818,995	6/1974	Mellen	172/282
4,049,063	9/1977	Dietrich	172/287
4,077,651	3/1978	Steinbach et al.	172/282
4,141,419	2/1979	Buchele et al.	172/285
4,211,286	7/1980	Allen	172/278

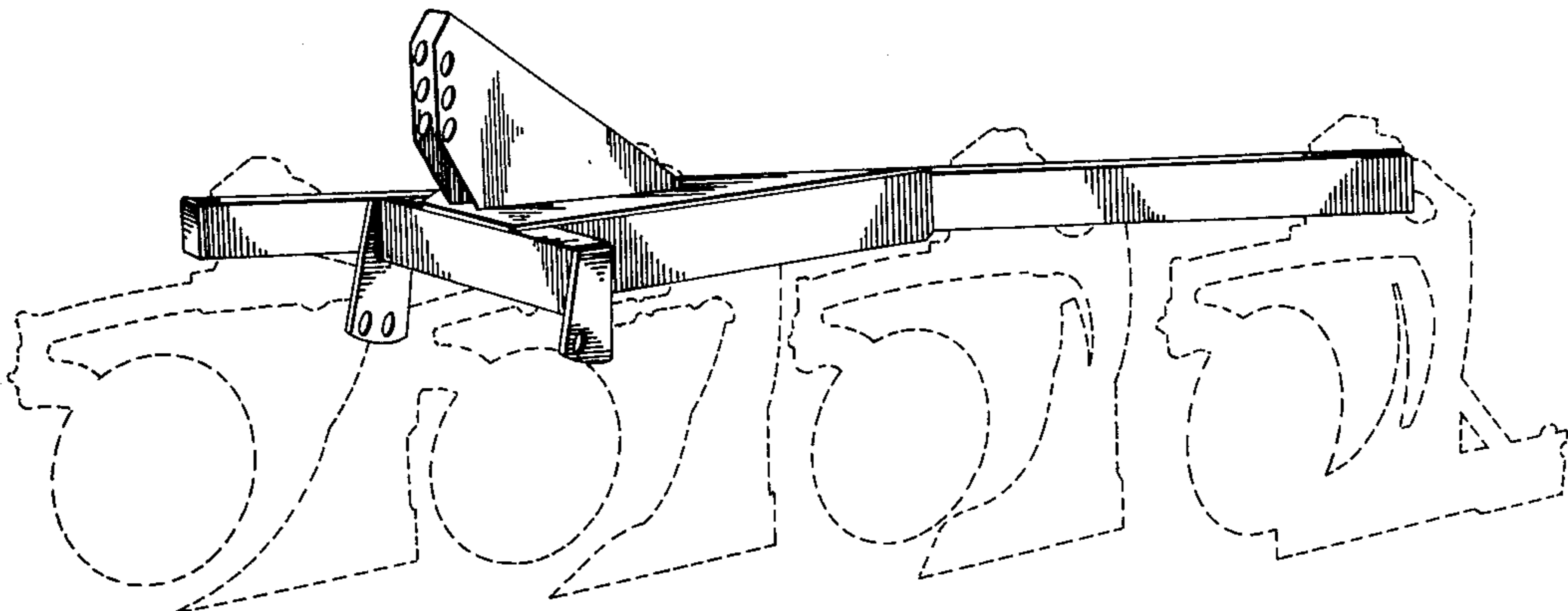
Primary Examiner—B. J. Bullock
Assistant Examiner—Suzanne N. Gitlin

[57] CLAIM

The ornamental design for a plow frame, as shown and described.

DESCRIPTION

FIG. 1 is a front side perspective view of a plow frame showing my new design, the broken line disclosure of the plow bottoms are for illustrative purposes only; FIG. 2 is a rear, side perspective view thereof; FIG. 3 is a front perspective view thereof; FIG. 4 is a rear, side perspective view taken from the side opposite that shown in FIG. 2.



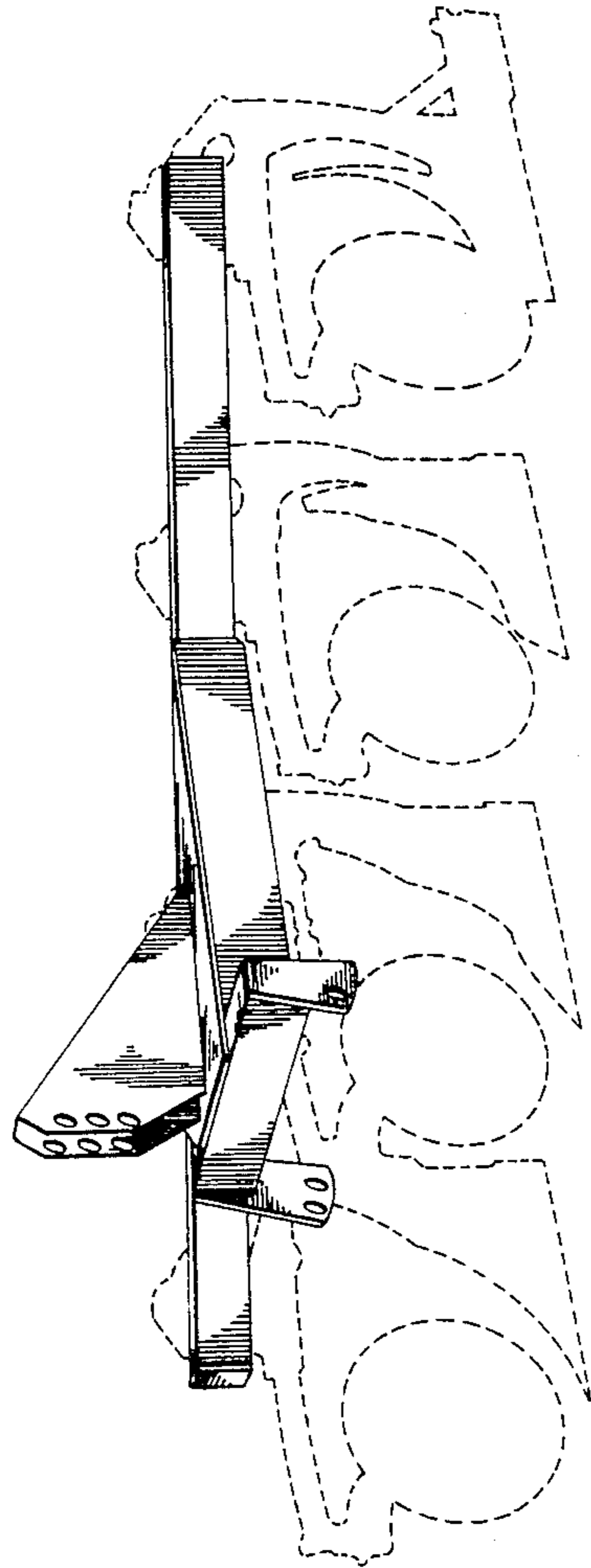


FIG. 1

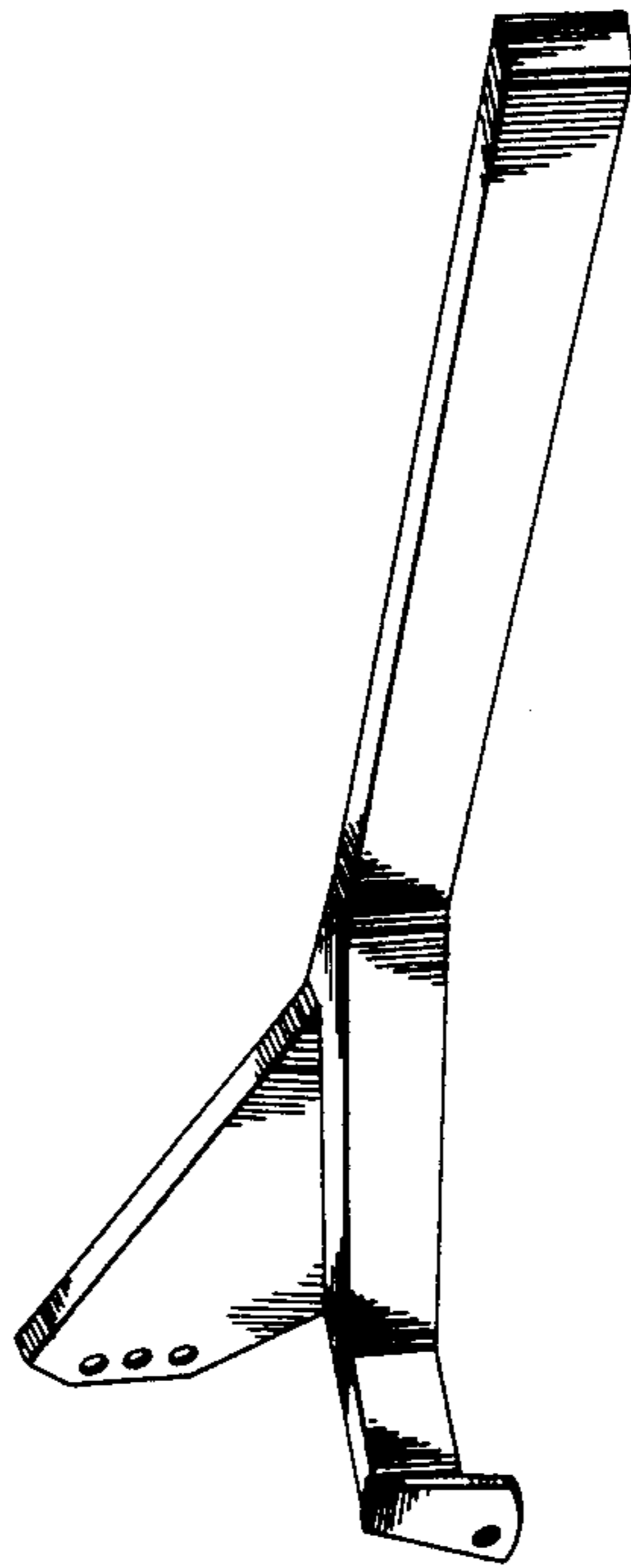


FIG. 2

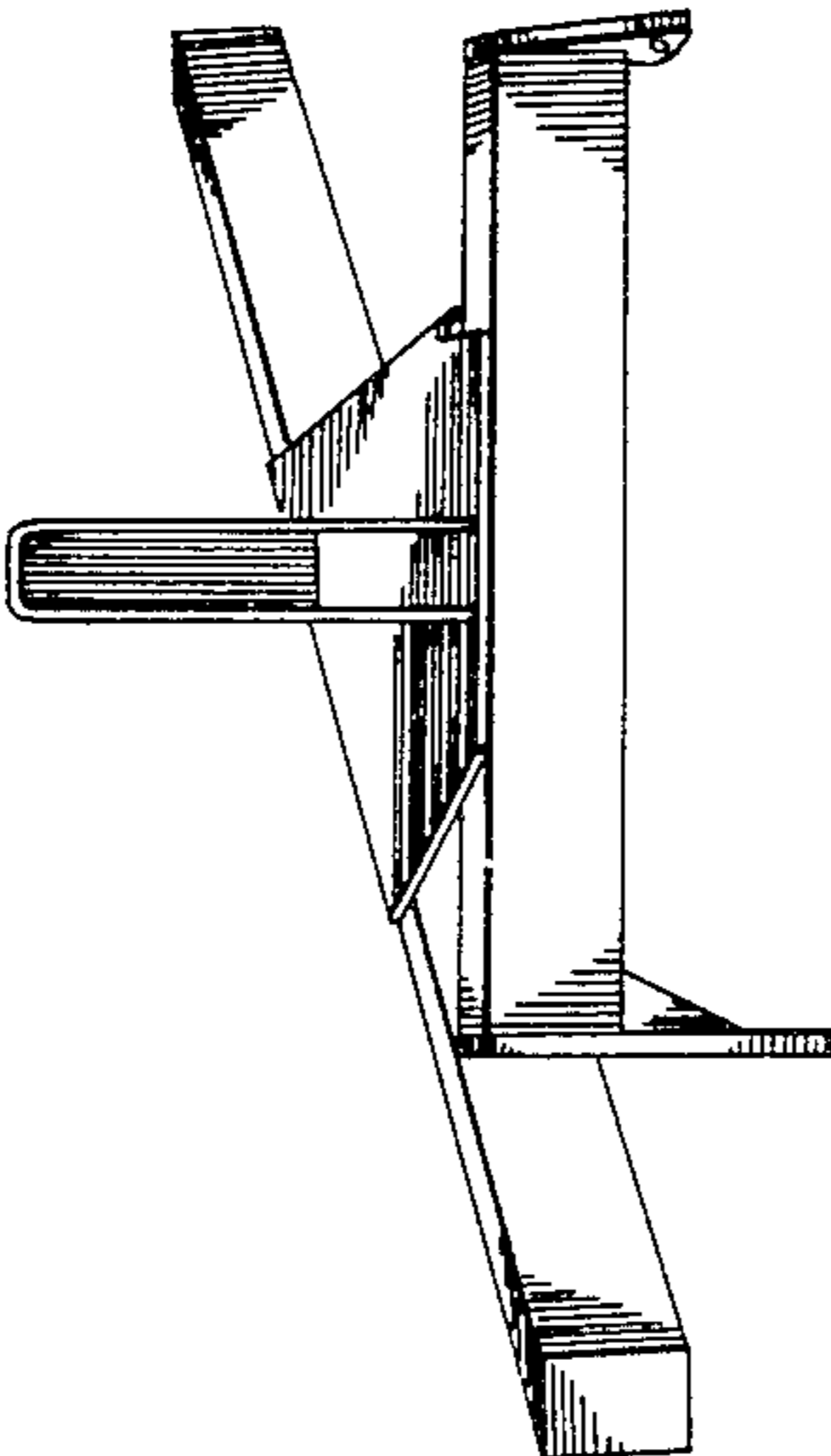


FIG. 3

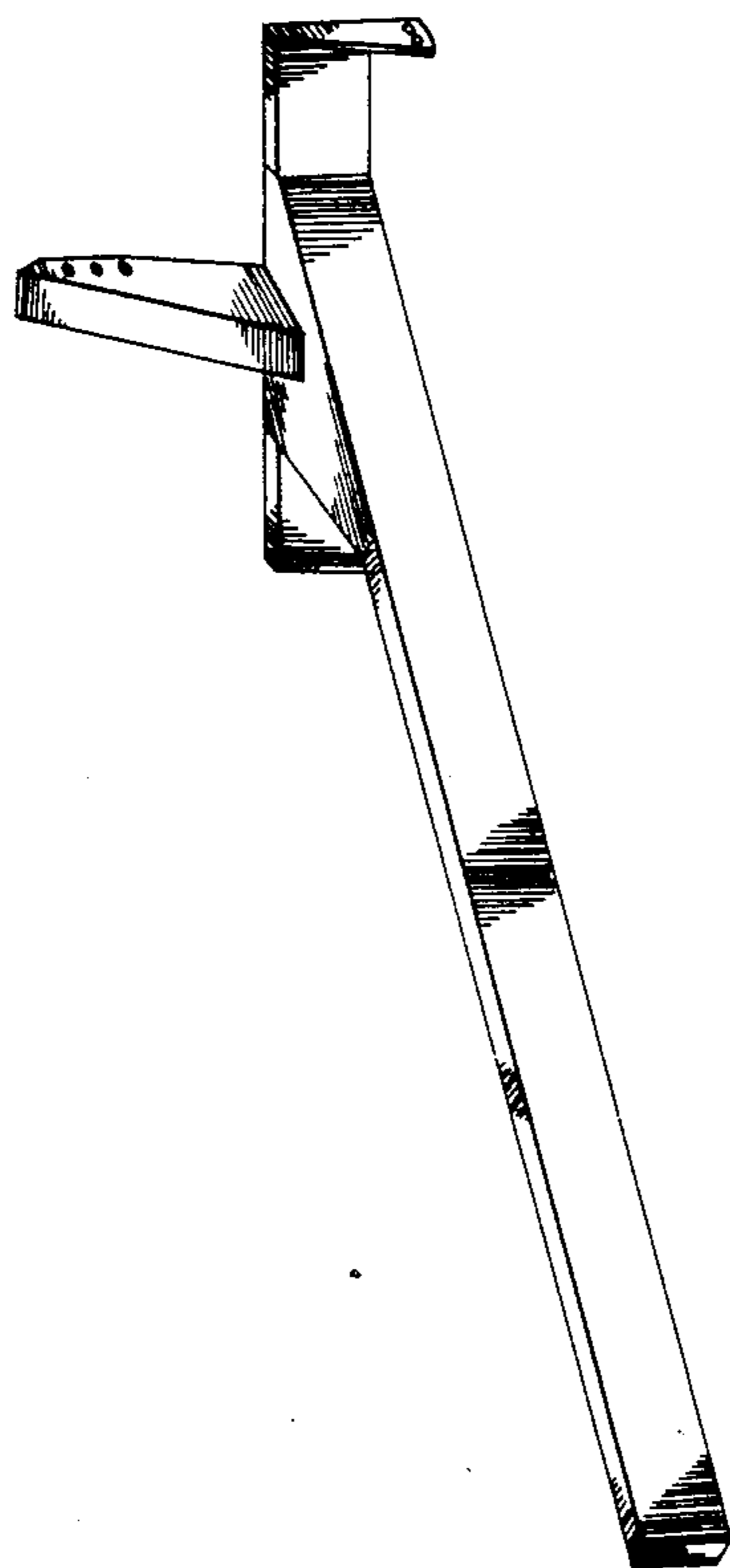


FIG. 4