

United States Patent [19]

Kashima et al.

[11] Patent Number: **Des. 281,880**

[45] Date of Patent: **** Dec. 24, 1985**

[54] **TELEVISION RECEIVER**

[75] Inventors: **Taisuke Kashima**, Tokyo; **Toru Kiyota**, Tachikawa; **Takashi Fujii**, Hino, all of Japan

[73] Assignee: **Hitachi, Ltd.**, Tokyo, Japan

[**] Term: **14 Years**

[21] Appl. No.: **523,087**

[22] Filed: **Aug. 15, 1983**

[30] **Foreign Application Priority Data**

May 25, 1983 [JP] Japan 58-11971
[52] U.S. Cl. **D14/81; D14/77;**
D14/80
[58] Field of Search D14/77, 79-81,
D14/84, 72

[56] **References Cited**

U.S. PATENT DOCUMENTS

D. 142,637 10/1945 Girard D14/72
D. 229,777 1/1974 Terauchi et al. D14/79

D. 230,193 1/1974 Suoihara et al. D14/72
D. 258,434 3/1981 Suzuki et al. D14/81 X

OTHER PUBLICATIONS

Home Furnishings Daily, 7-23-71, p. 17, Panasonic Model #TR-003.

Primary Examiner—Jane E. Corrigan
Attorney, Agent, or Firm—Antonelli, Terry & Wands

[57] **CLAIM**

The ornamental design for a television receiver, as shown and described.

DESCRIPTION

FIG. 1 is a front, top and right side perspective view of a television receiver showing our new design; FIG. 2 is a front elevational view thereof; FIG. 3 is a top plan view thereof; FIG. 4 is a right side elevational view thereof; FIG. 5 is a left side elevational view thereof; FIG. 6 is a bottom plan view thereof; FIG. 7 is a rear elevational view thereof; and FIG. 8 is a view like FIG. 1 with the display and antenna in raised position.

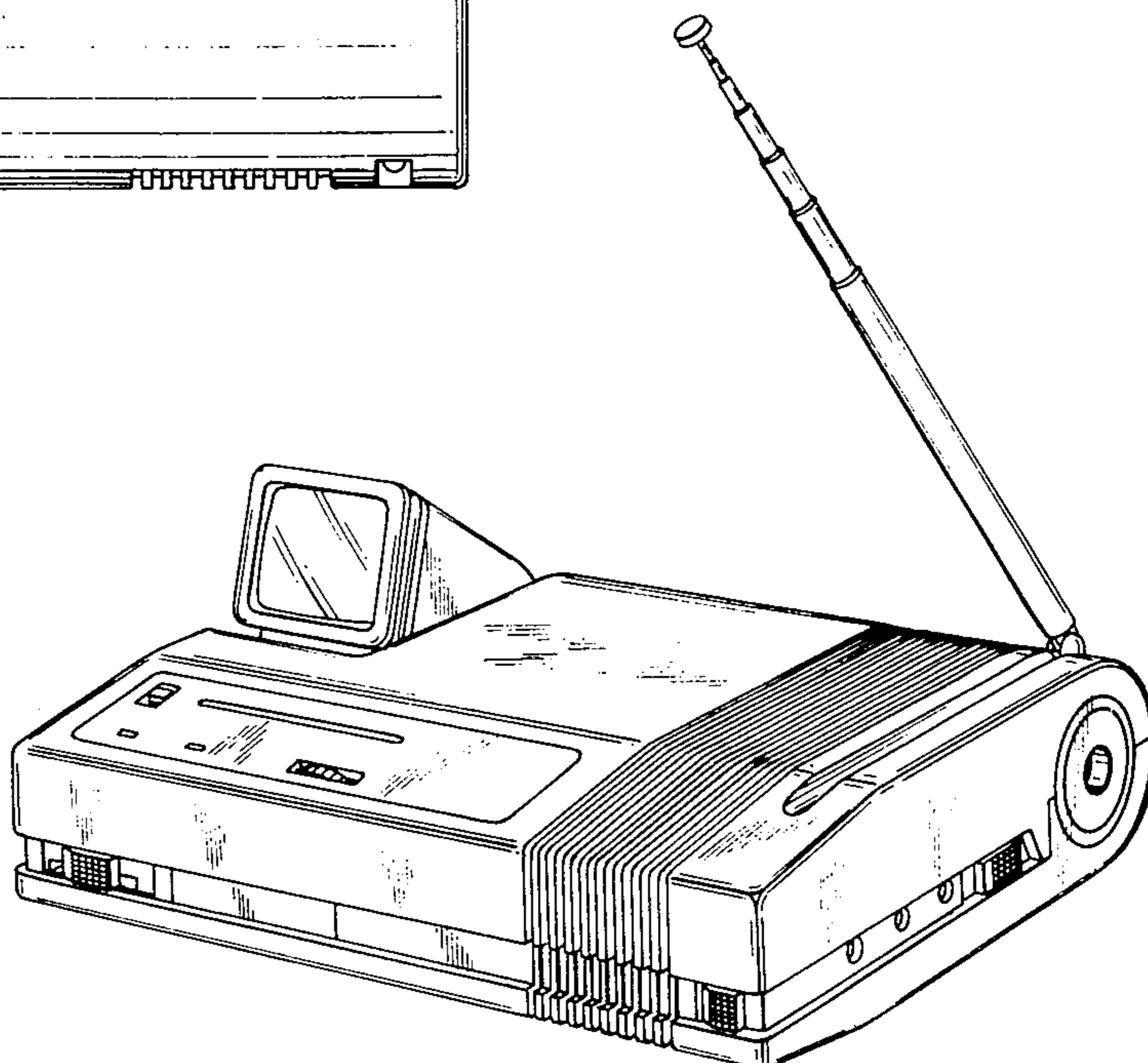
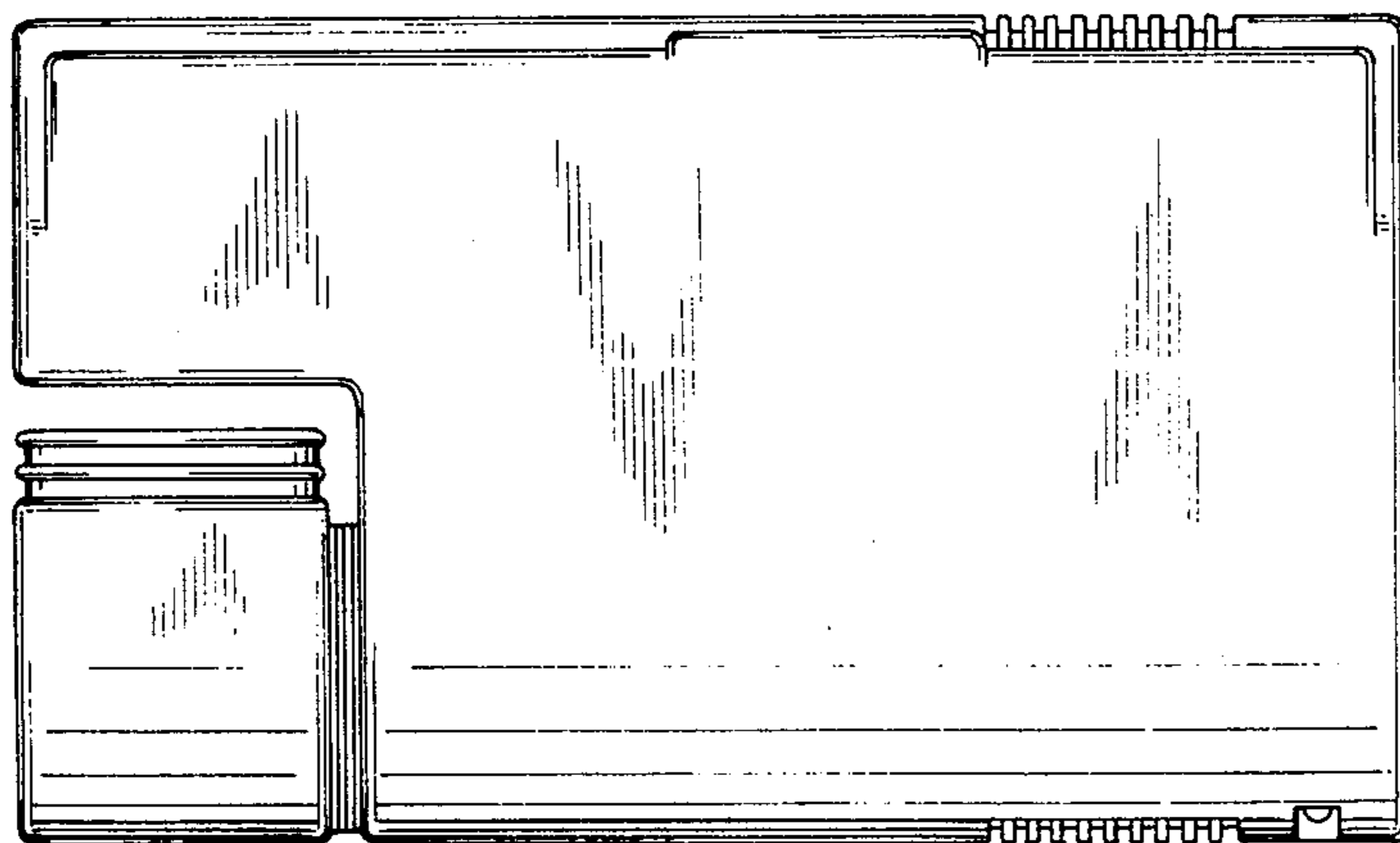


FIG. 1

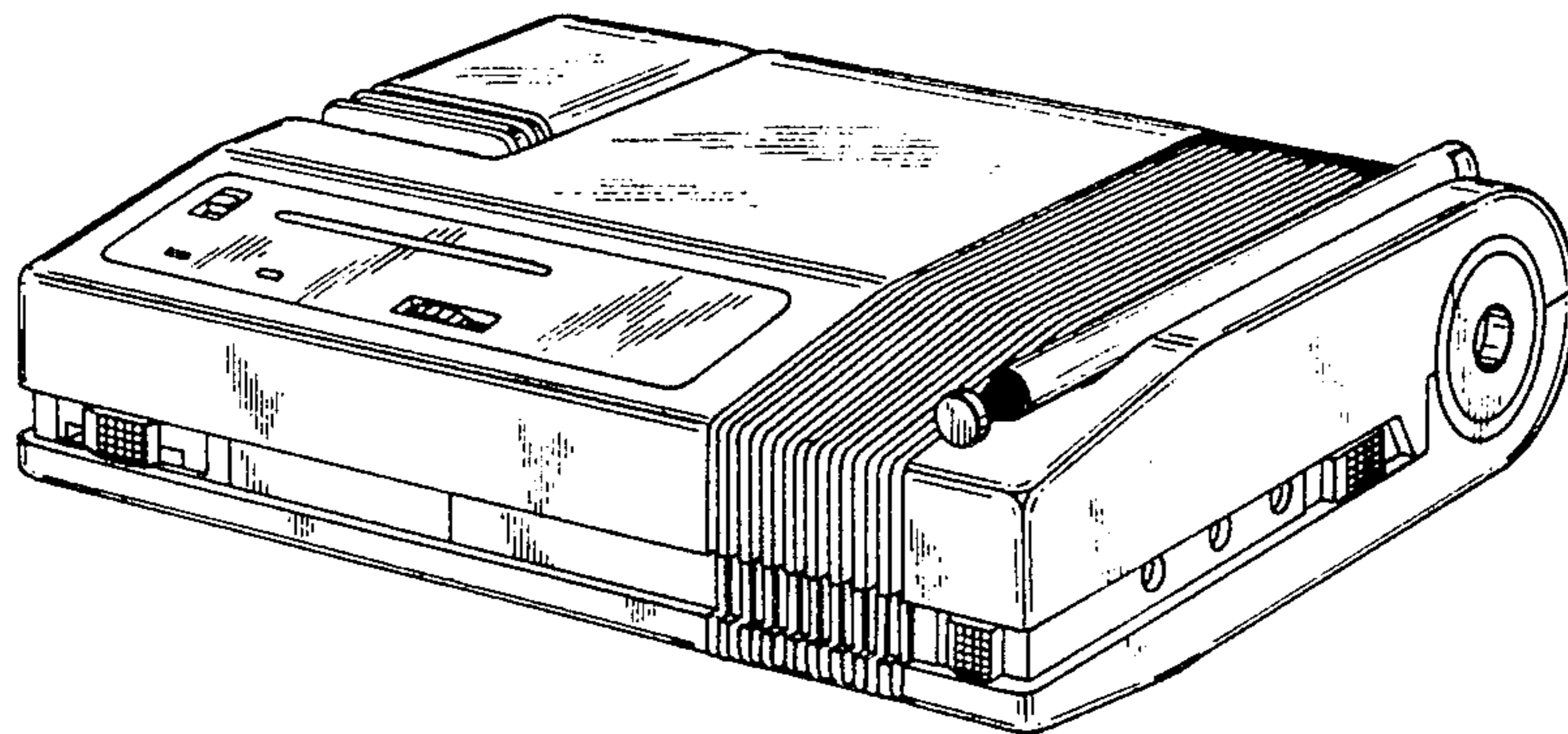


FIG. 2

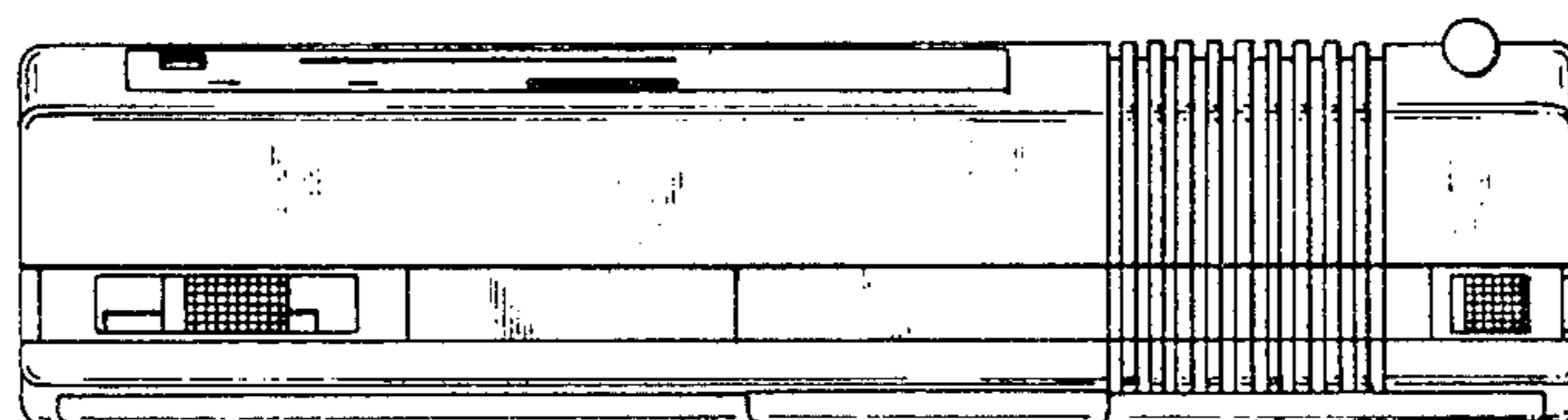


FIG. 3

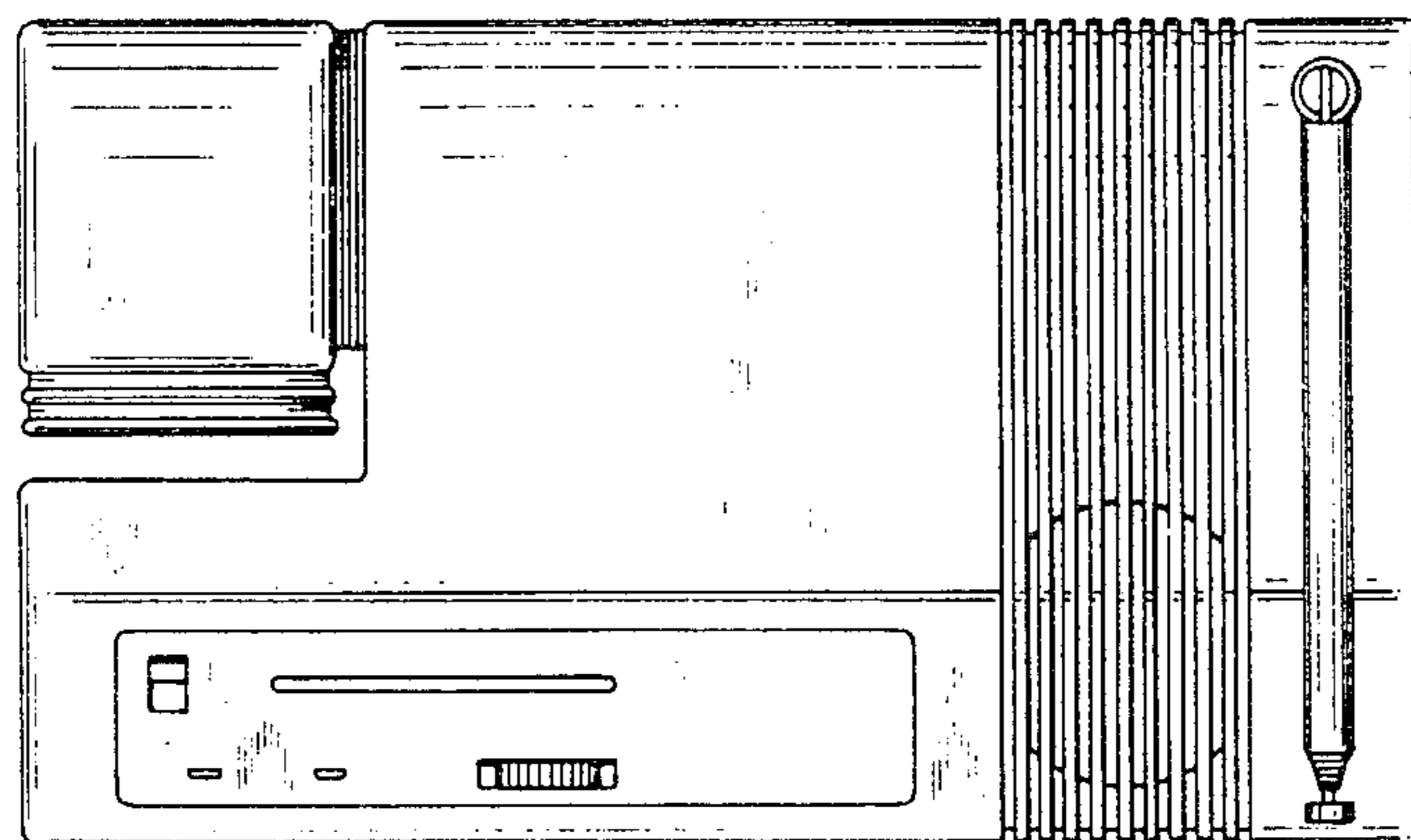


FIG. 4

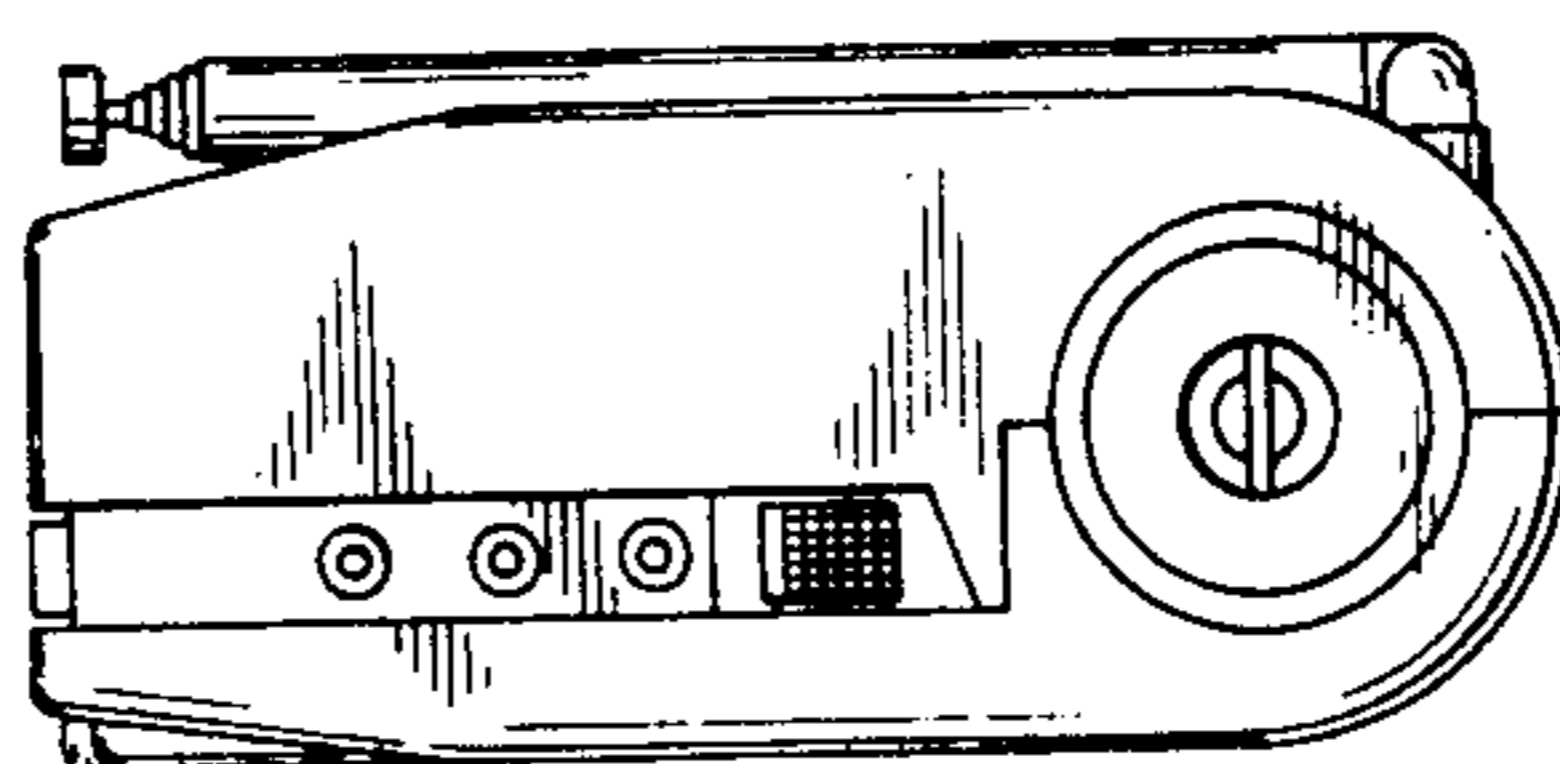


FIG. 5

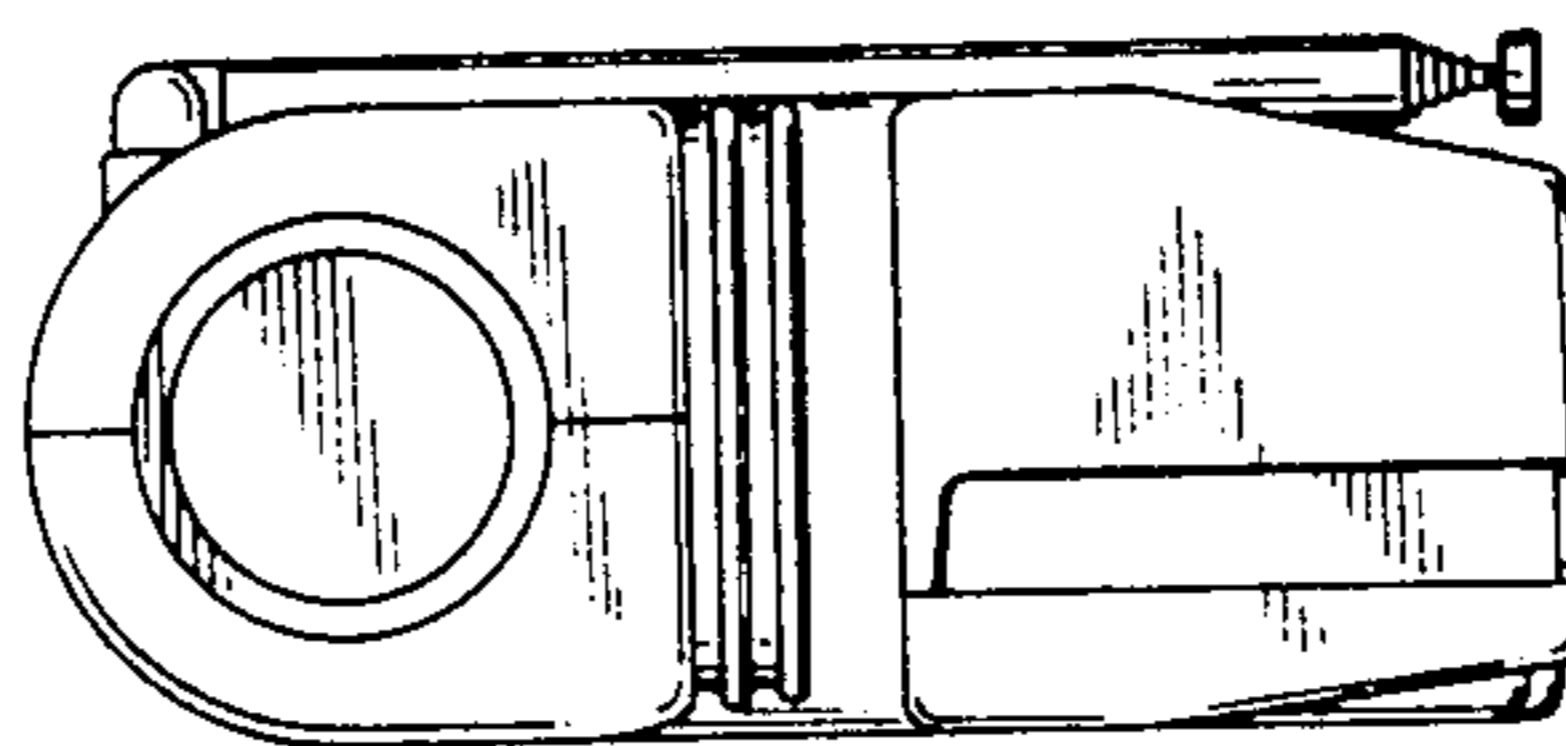


FIG. 6

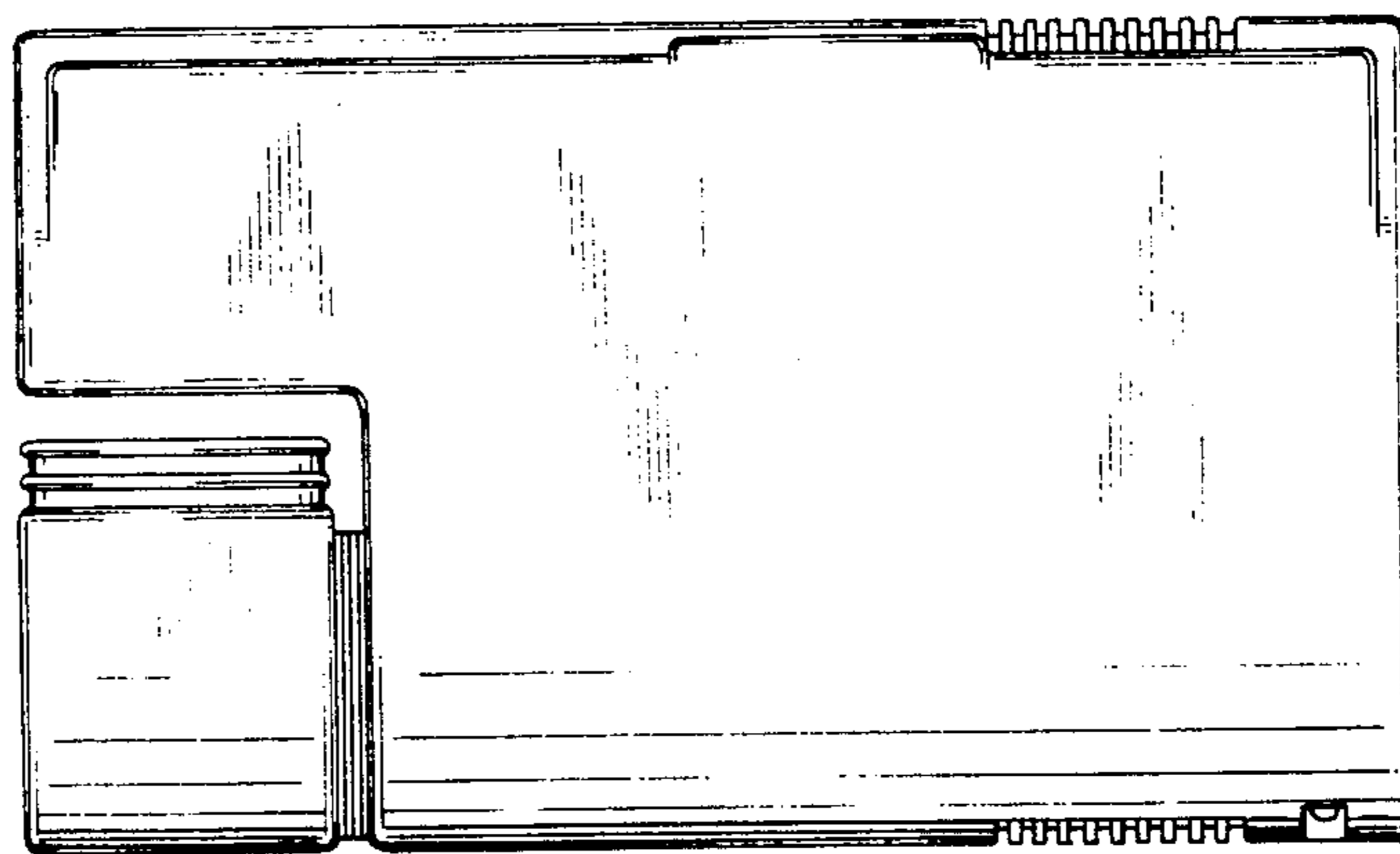


FIG. 7

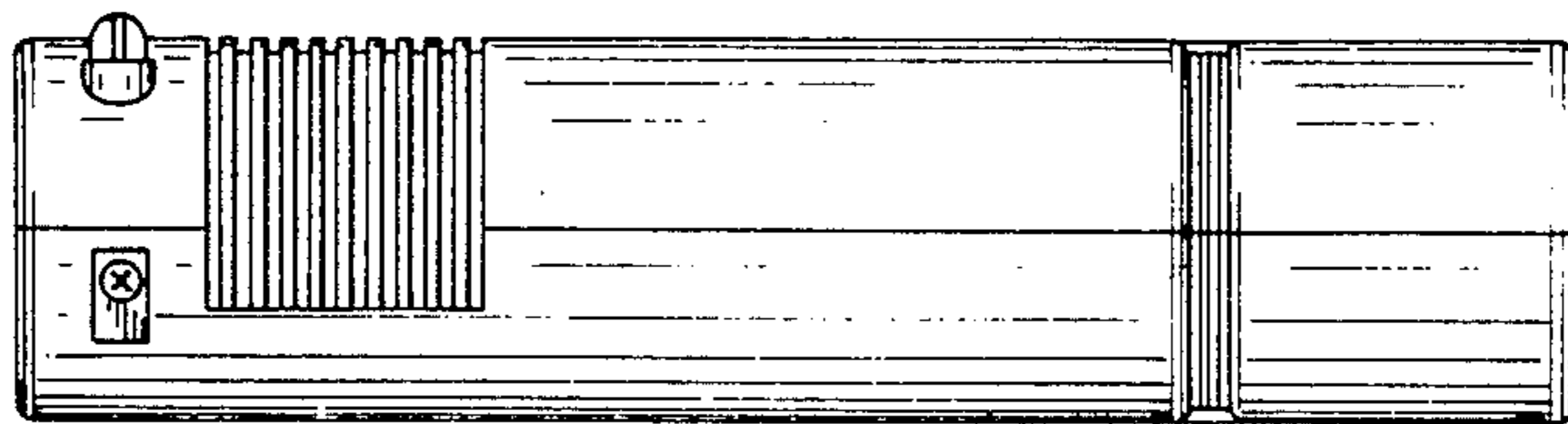


FIG. 8

