

[54] CASSETTE TAPE RECORDER

[75] Inventors: Hideaki Kurata; Kumio Mikami; Hiroshi Matsushima; Isao Wada; Eiko Chikamatsu, all of Tokyo, Japan

[73] Assignee: Pioneer Electronic Corporation, Tokyo, Japan

[**] Term: 14 Years

[21] Appl. No.: 525,208

[22] Filed: Aug. 22, 1983

[30] Foreign Application Priority Data

Feb. 22, 1983 [JP] Japan 58-7193

[52] U.S. Cl. D14/6

[58] Field of Search D14/1, 5, 6, 68, 70-76, D14/95

[56] References Cited

U.S. PATENT DOCUMENTS

D. 186,945 12/1959 Smith D14/5

- D. 252,512 7/1979 Van Deuren D14/6
- D. 270,908 10/1983 Sumita D14/6
- D. 276,999 1/1985 Arimura D14/6
- D. 277,566 2/1985 Wada et al. D14/6

Primary Examiner—Jane E. Corrigan
Attorney, Agent, or Firm—Sughrue, Mion, Zinn, Macpeak & Seas

[57] CLAIM

The ornamental design for a cassette tape recorder, as shown.

DESCRIPTION

FIG. 1 is a right side elevational view of a cassette tape recorder showing our new design; FIG. 2 is a left side elevational view thereof; FIG. 3 is a rear elevational view thereof; FIG. 4 is a front elevational view thereof; FIG. 5 is a top plan view thereof; FIG. 6 is a bottom plan view thereof; and FIG. 7 is a front, top and right side perspective view thereof.

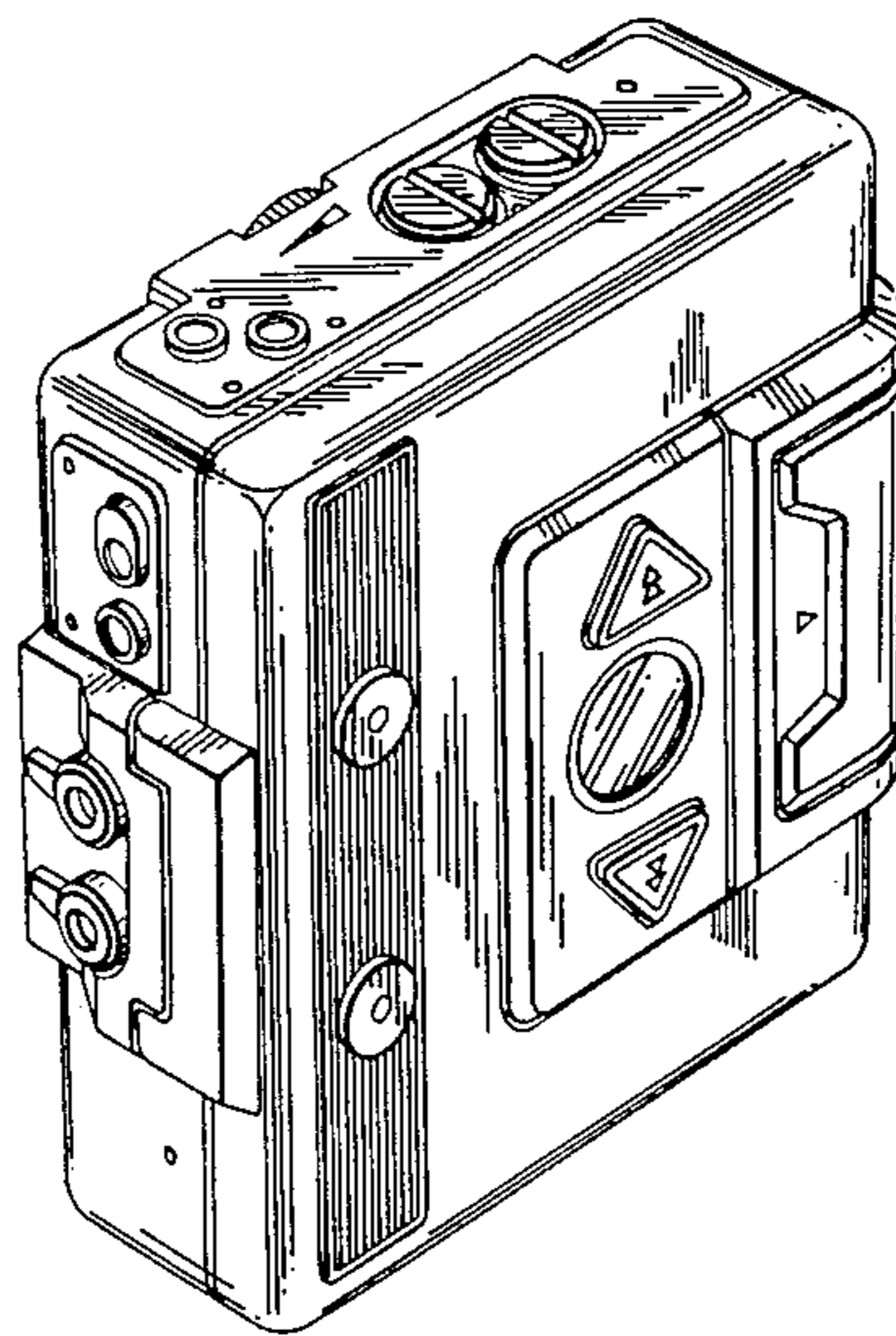


FIG. 1

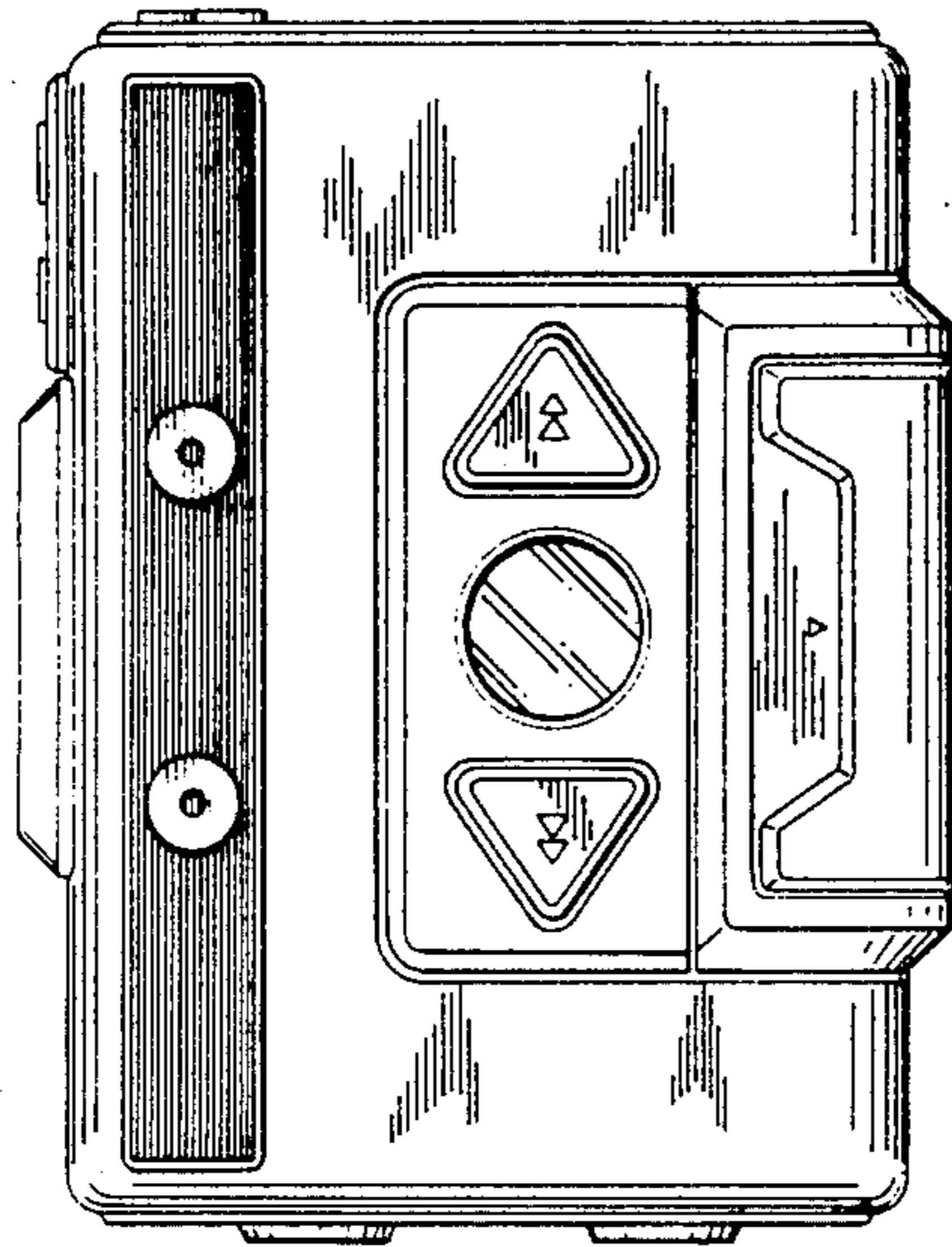


FIG. 3

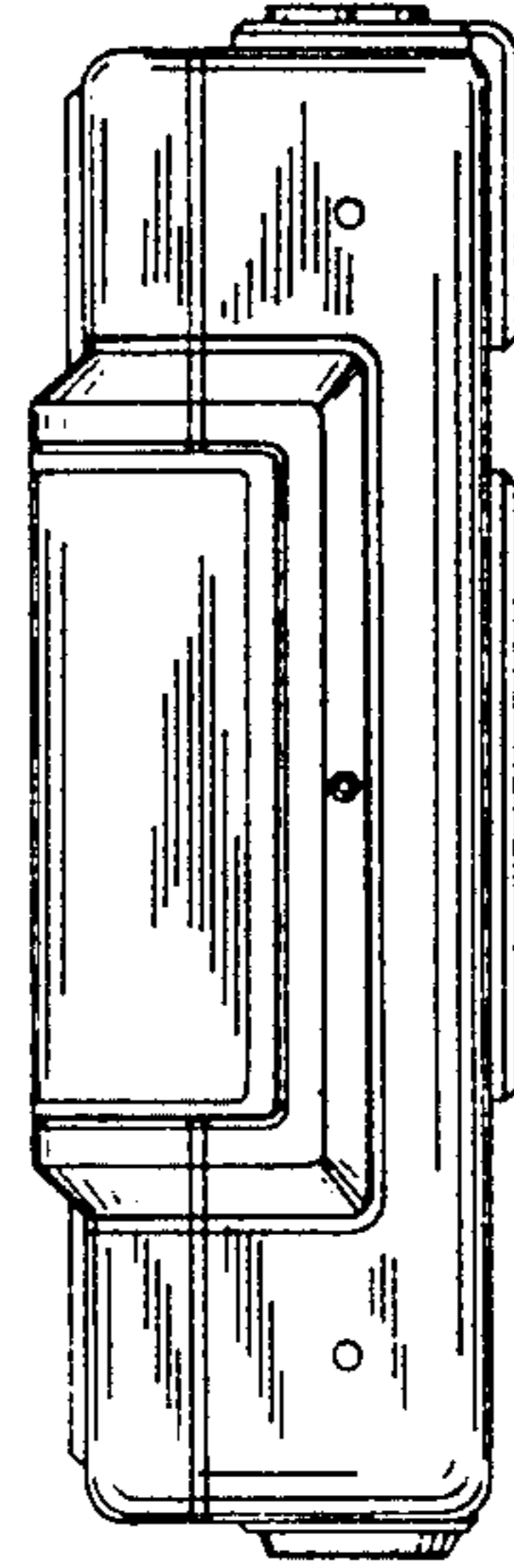


FIG. 2

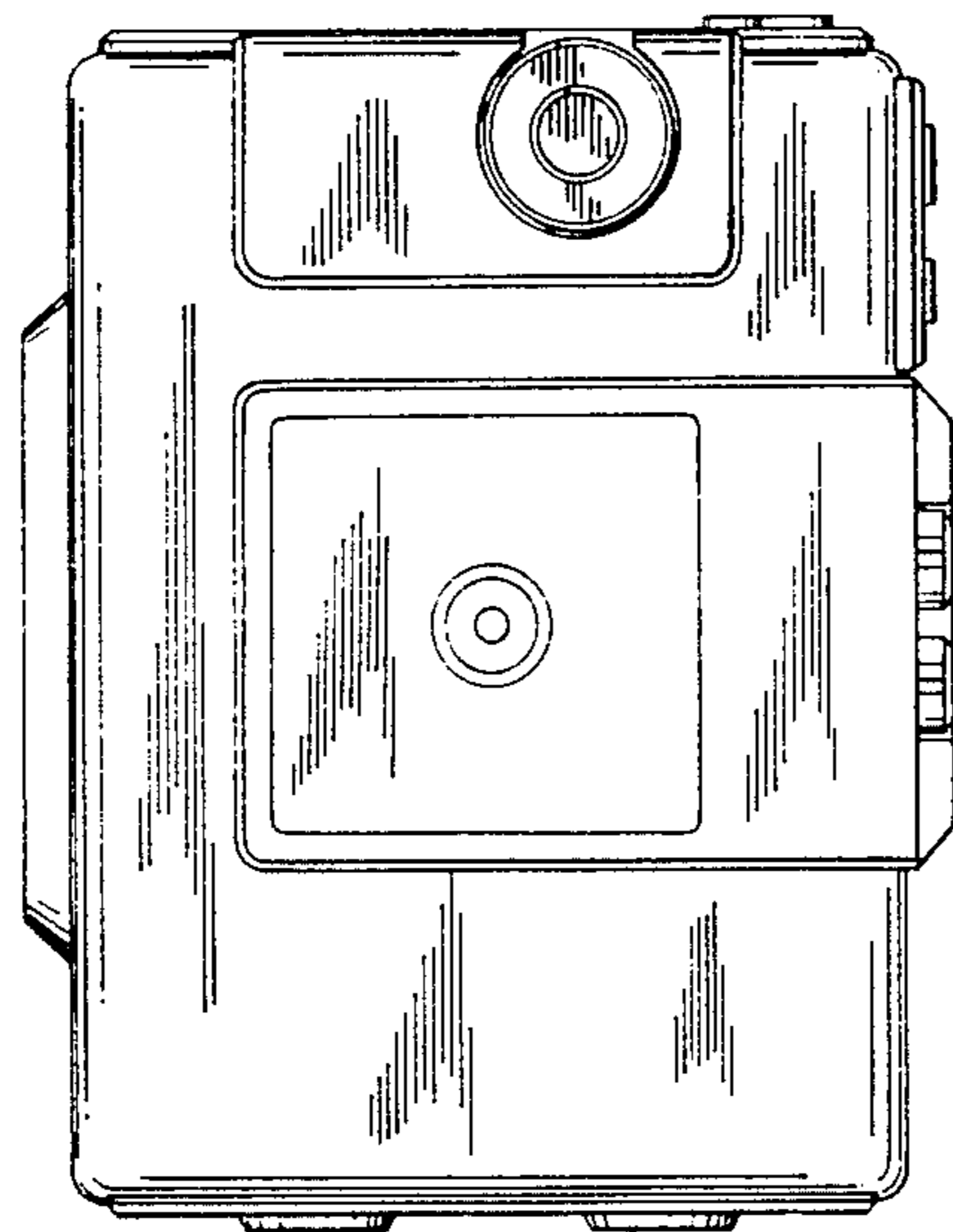


FIG. 4

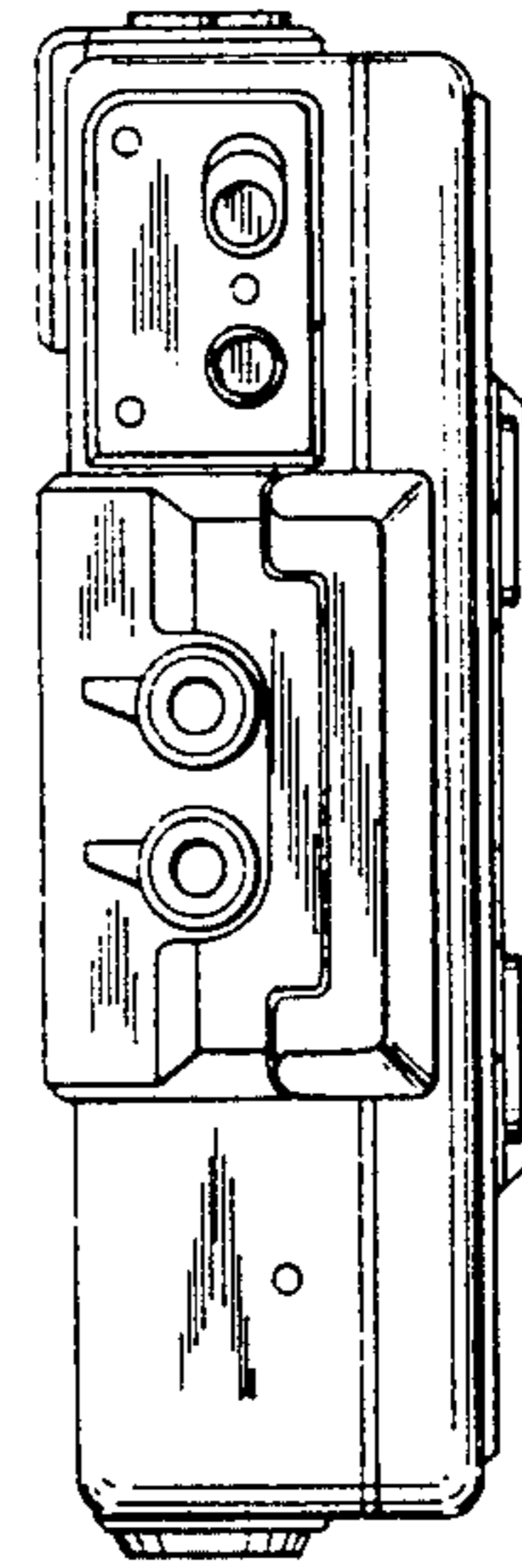


FIG. 5

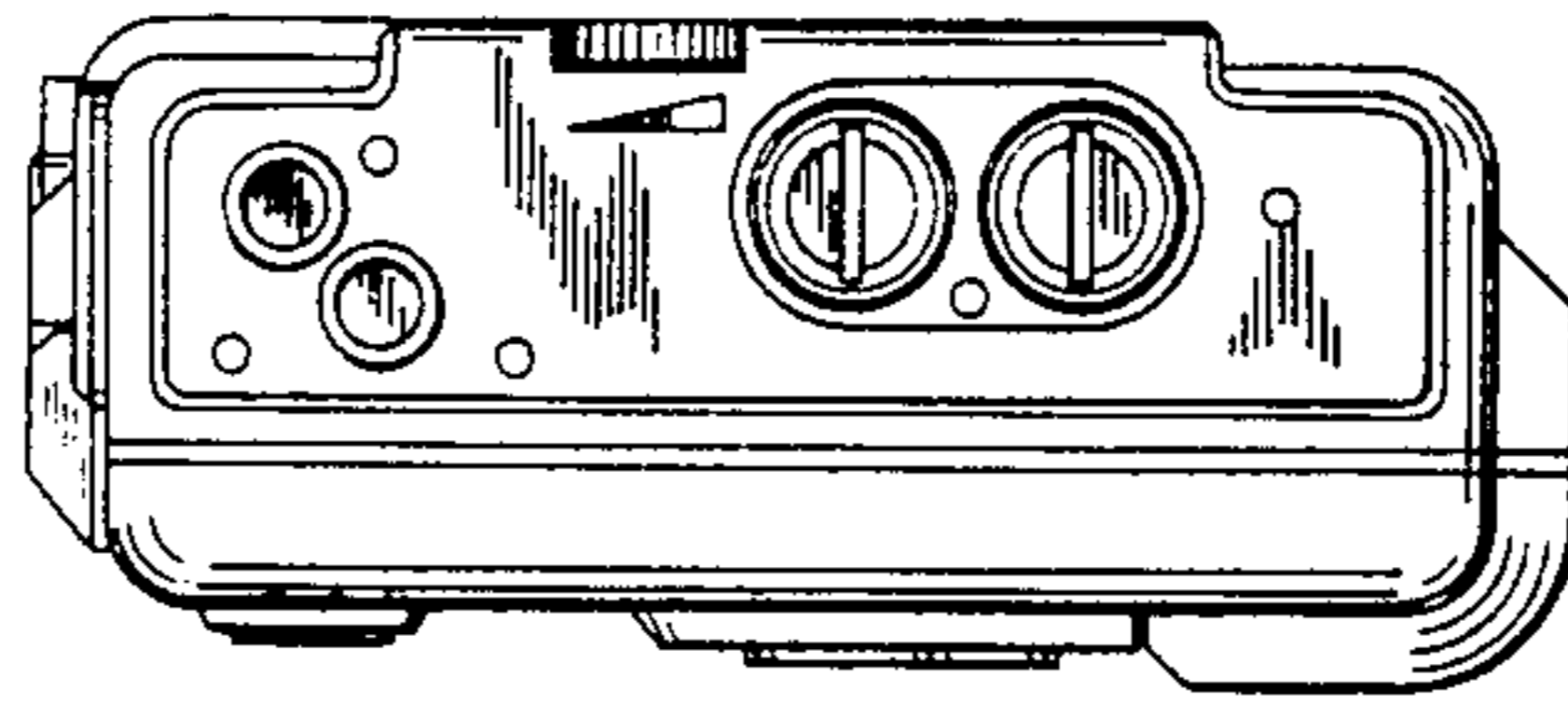


FIG. 6

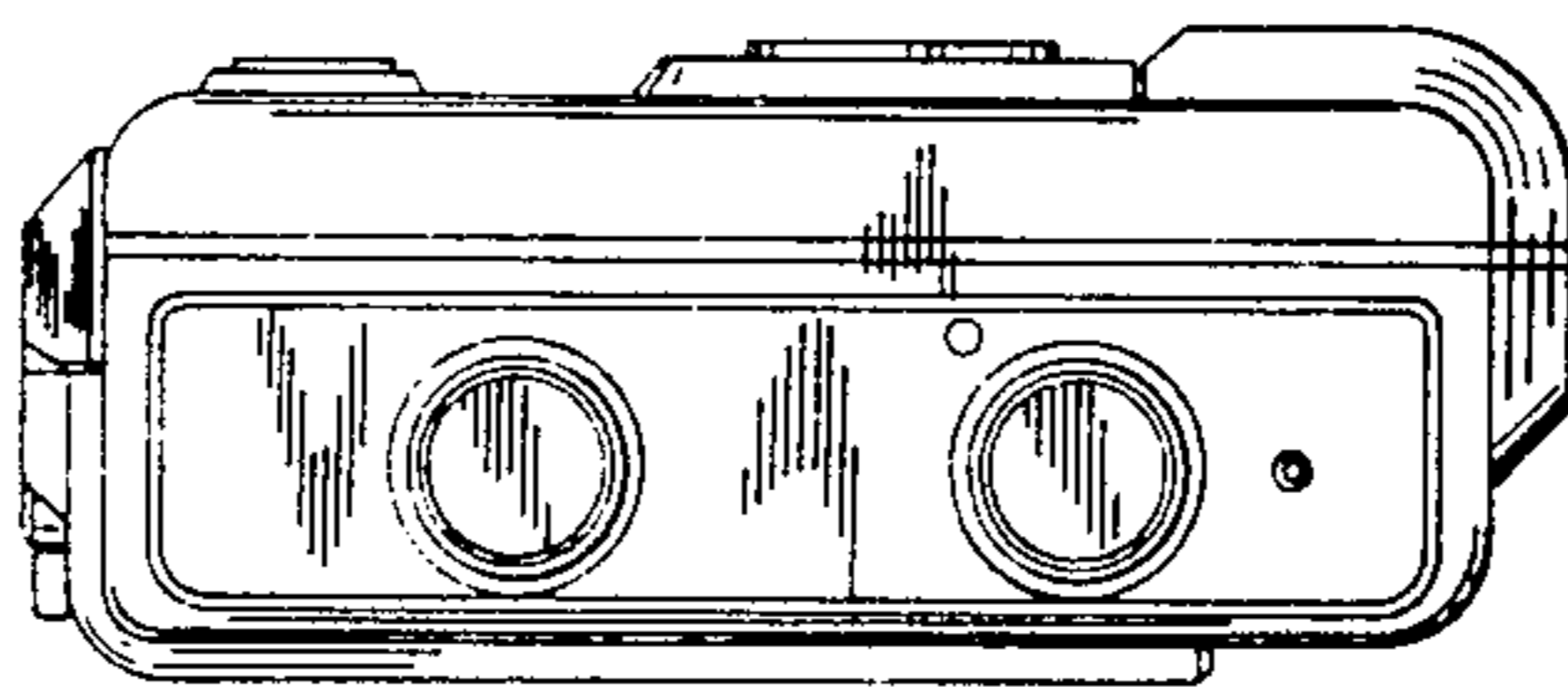


FIG. 7

