

[54] **COMPONENT FOR A WIRING SYSTEM**

[75] **Inventor: Steven M. Kelly, Ligonier, Ind.**

[73] **Assignee: Dunbar Furniture, Inc., Berne, Ind.**

[\*\*] **Term: 14 Years**

[21] **Appl. No.: 450,893**

[22] **Filed: Dec. 20, 1982**

[52] **U.S. Cl. .... D13/24; D13/14**

[58] **Field of Search ..... D13/13, 24, 99; 339/20,  
339/21 R, 22 R, 23**

[56] **References Cited**

**U.S. PATENT DOCUMENTS**

- |            |         |                 |       |          |
|------------|---------|-----------------|-------|----------|
| D. 133,866 | 9/1942  | Carlson         | ..... | D13/13   |
| D. 256,579 | 8/1980  | Legerius et al. | ..... | D13/13   |
| 4,295,697  | 10/1981 | Grime           | ..... | 339/22 R |

**FOREIGN PATENT DOCUMENTS**

545417 5/1942 United Kingdom ..... 339/23

**OTHER PUBLICATIONS**

"A Design For Living", p. 12, Junior Conductor Section (6-27-1941).

*Primary Examiner*—Susan J. Lucas

*Assistant Examiner*—C. E. Heflin

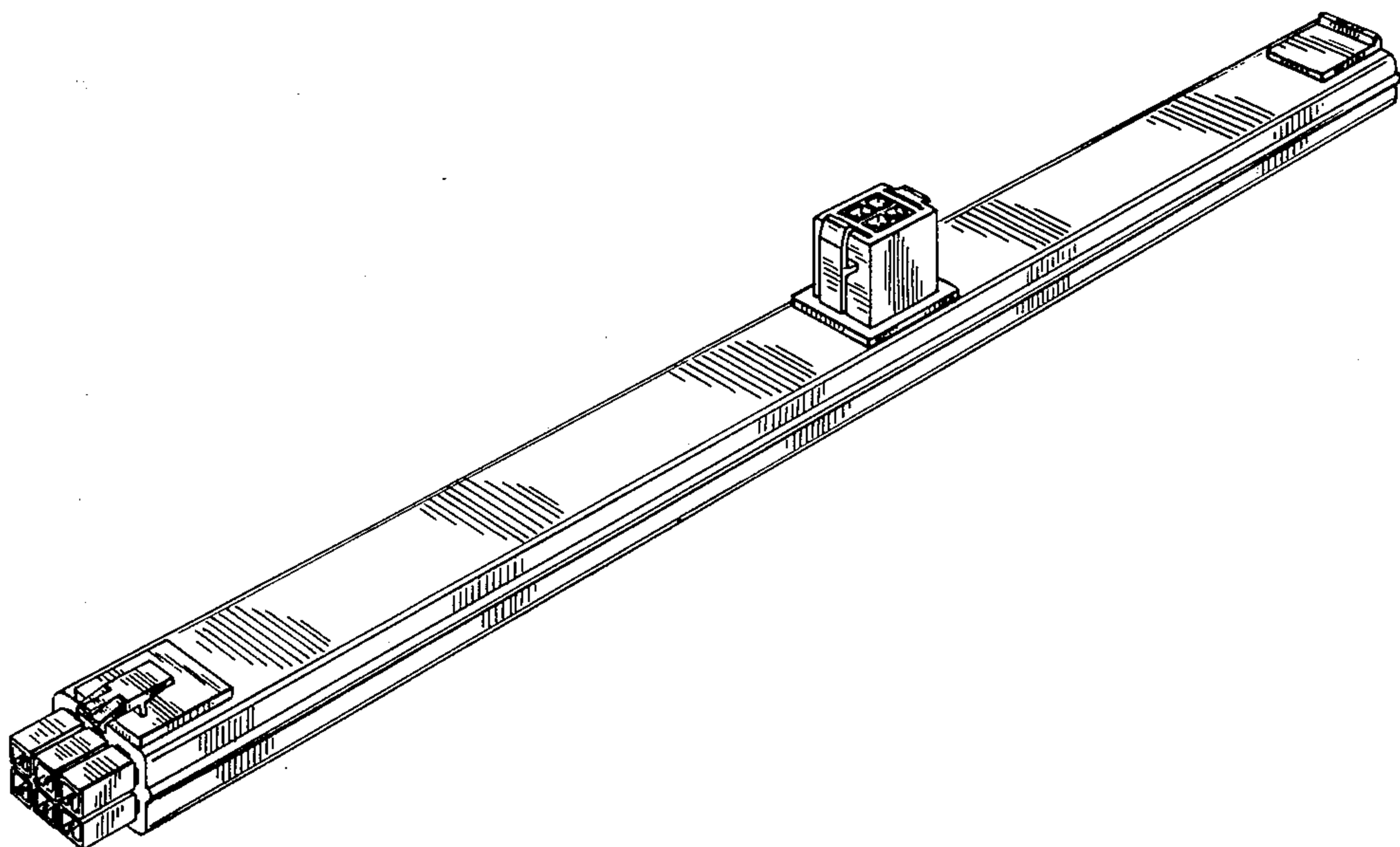
*Attorney, Agent, or Firm*—Peterson, Wicks, Nemer & Kamrath

[57] **CLAIM**

The ornamental design for a component for a wiring system, substantially as shown and described.

**DESCRIPTION**

FIG. 1 is a perspective view of a component for a wiring system showing my new design;  
FIG. 2 is a top plan view thereof;  
FIG. 3 is a side elevational view thereof; and  
FIG. 4 is a bottom plan view thereof.



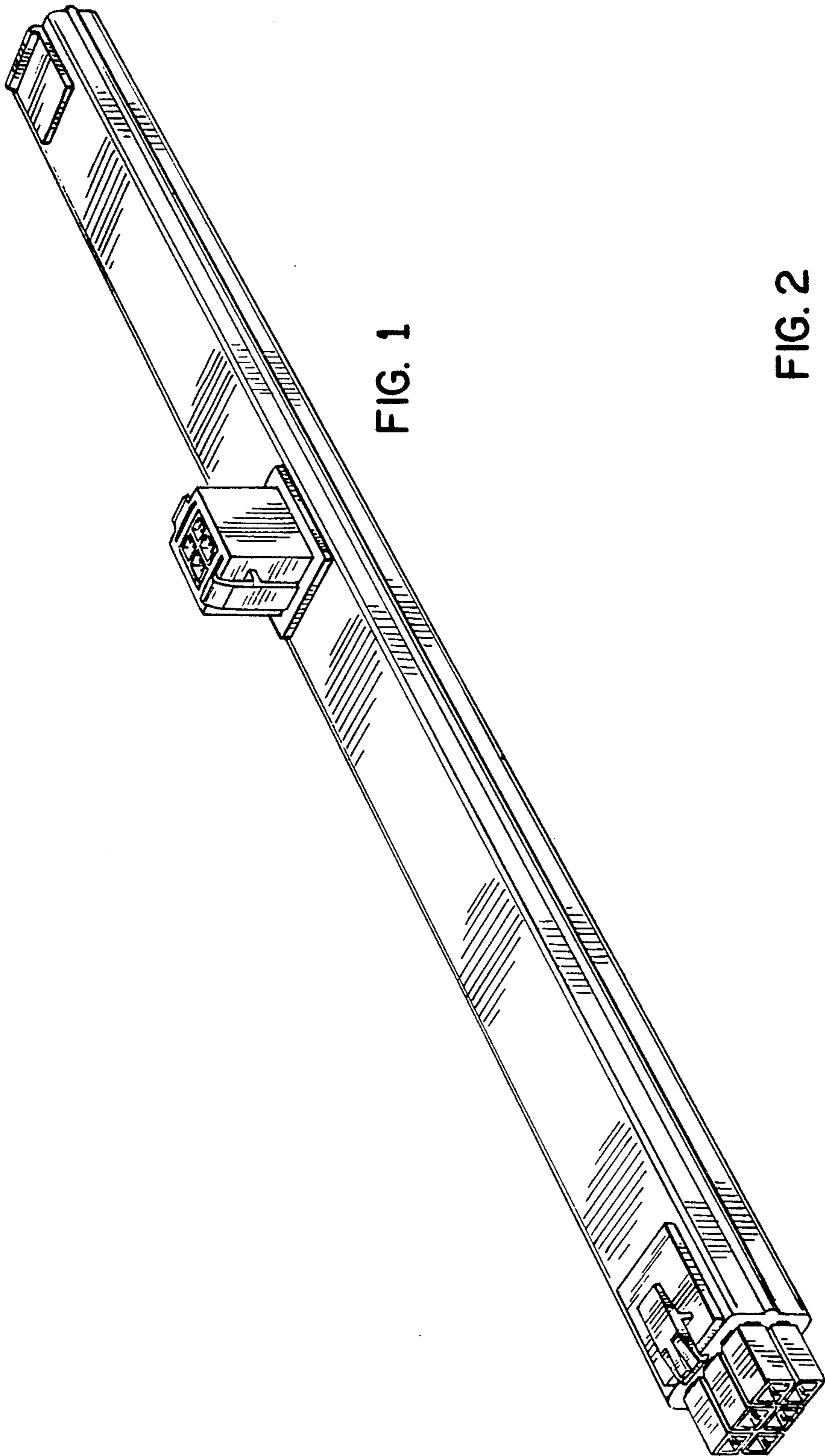
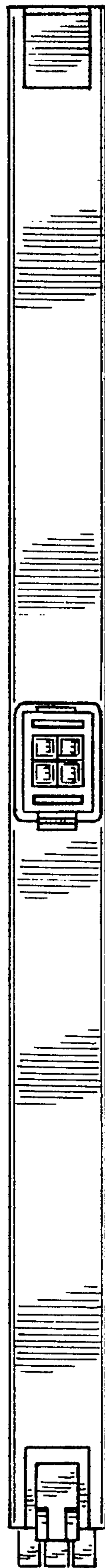


FIG. 2



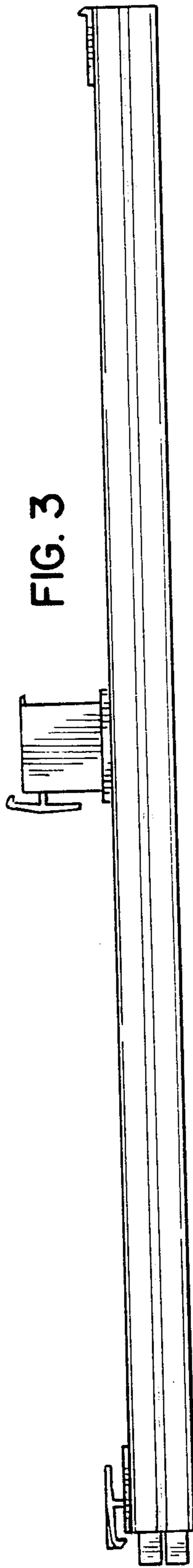


FIG. 3

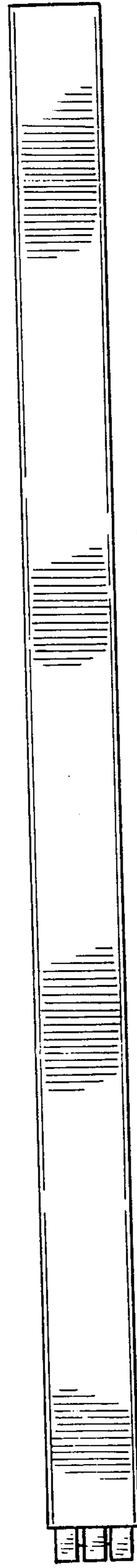


FIG. 4