

[54] MOTORCYCLE COMBINED RADIO AND SPEAKER SUPPORT

[75] Inventor: John A. Heiman, Waukesha, Wis.

[73] Assignee: Harley-Davidson Motor Co., Inc., Milwaukee, Wis.

[**] Term: 14 Years

[21] Appl. No.: 462,711

[22] Filed: Jan. 31, 1983

[52] U.S. Cl. D12/114; D14/37; D14/38; D14/39; D14/76

[58] Field of Search D14/68, 7; D12/114

[56] References Cited

U.S. PATENT DOCUMENTS

- D. 238,766 2/1976 Fritts et al. D12/114
- D. 242,997 1/1977 Dixson D12/114
- D. 256,115 7/1980 Dixson D12/114
- D. 264,111 4/1982 Jimison et al. D12/114 X
- D. 266,409 10/1982 Hoese D12/114
- D. 268,403 3/1983 Masterson D12/114

Primary Examiner—Jane E. Corrigan

[57] CLAIM

The ornamental design for motorcycle combined radio and speaker support, as shown.

DESCRIPTION

FIG. 1 is a front elevational view of a motorcycle combined radio and speaker support showing my new design, with the broken line structure being environmental and forming no part of the claimed design;

FIG. 2 is a front elevational view of the radio support alone, with broken line structure being environmental;

FIG. 3 is a top plan view thereof;

FIG. 4 is a bottom plan view thereof;

FIG. 5 is a left side elevational view thereof;

FIG. 6 is a right side elevational view thereof;

FIG. 7 is a rear elevational view thereof;

FIG. 8 is a front elevational view of a speaker;

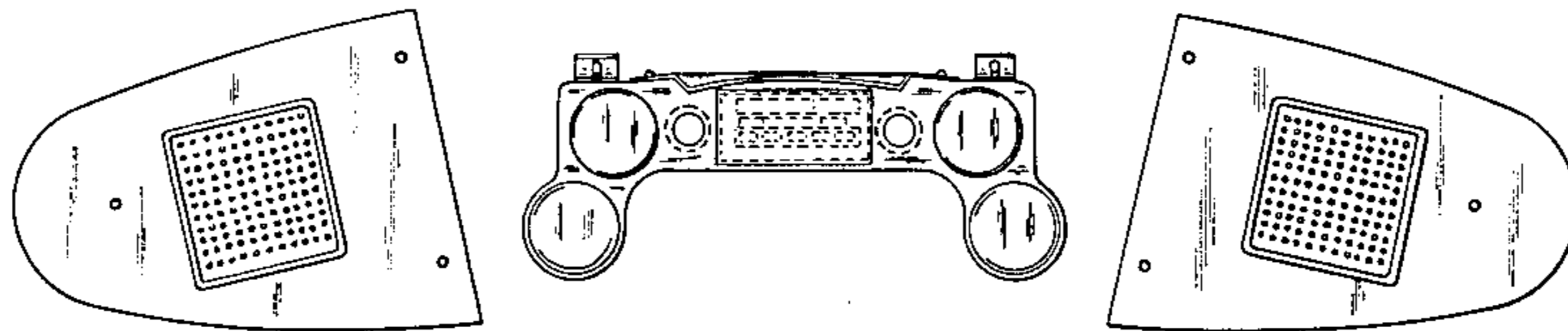
FIG. 9 is a left side elevational view thereof;

FIG. 10 is a right side elevational view with environmental broken line structure;

FIG. 11 is a top plan view thereof;

FIG. 12 is a bottom view plan thereof; and,

FIG. 13 is a rear elevational view.



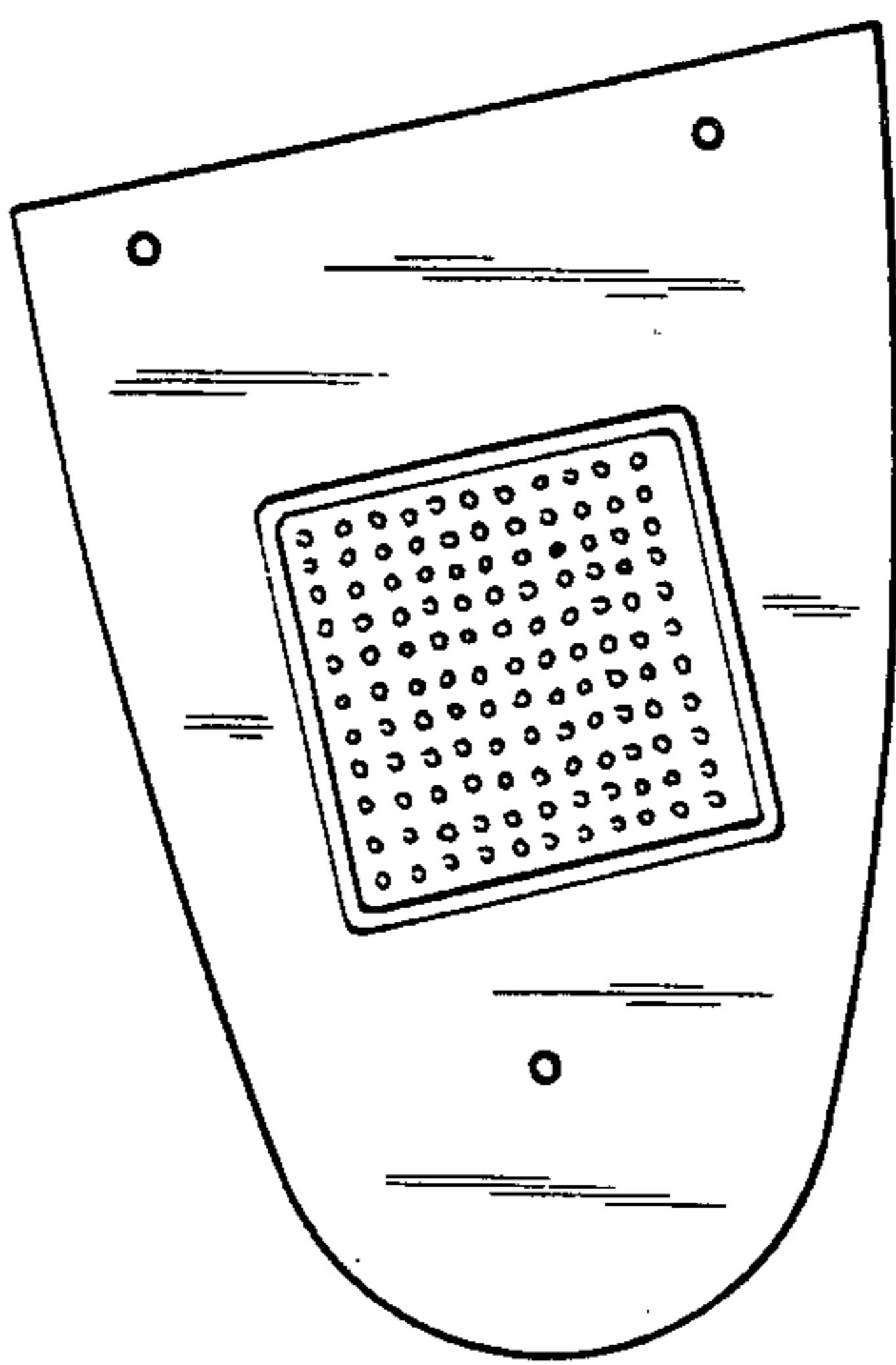
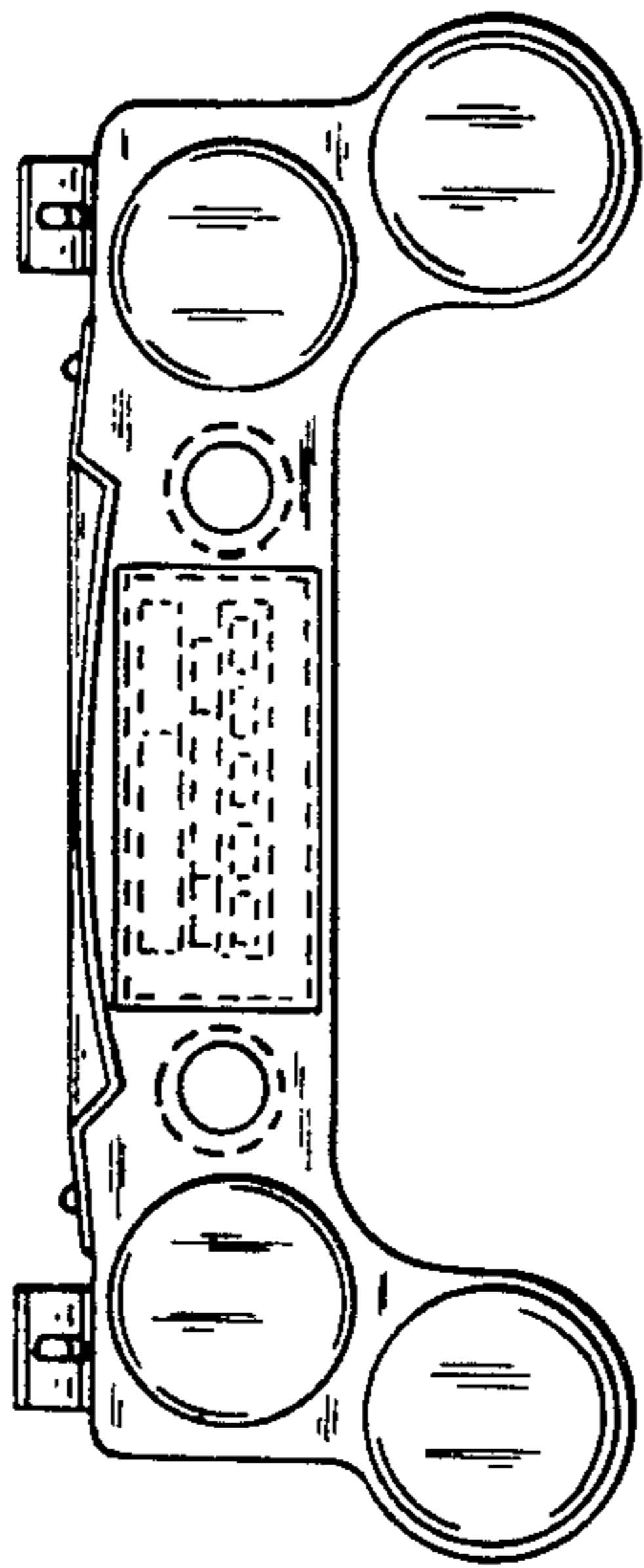
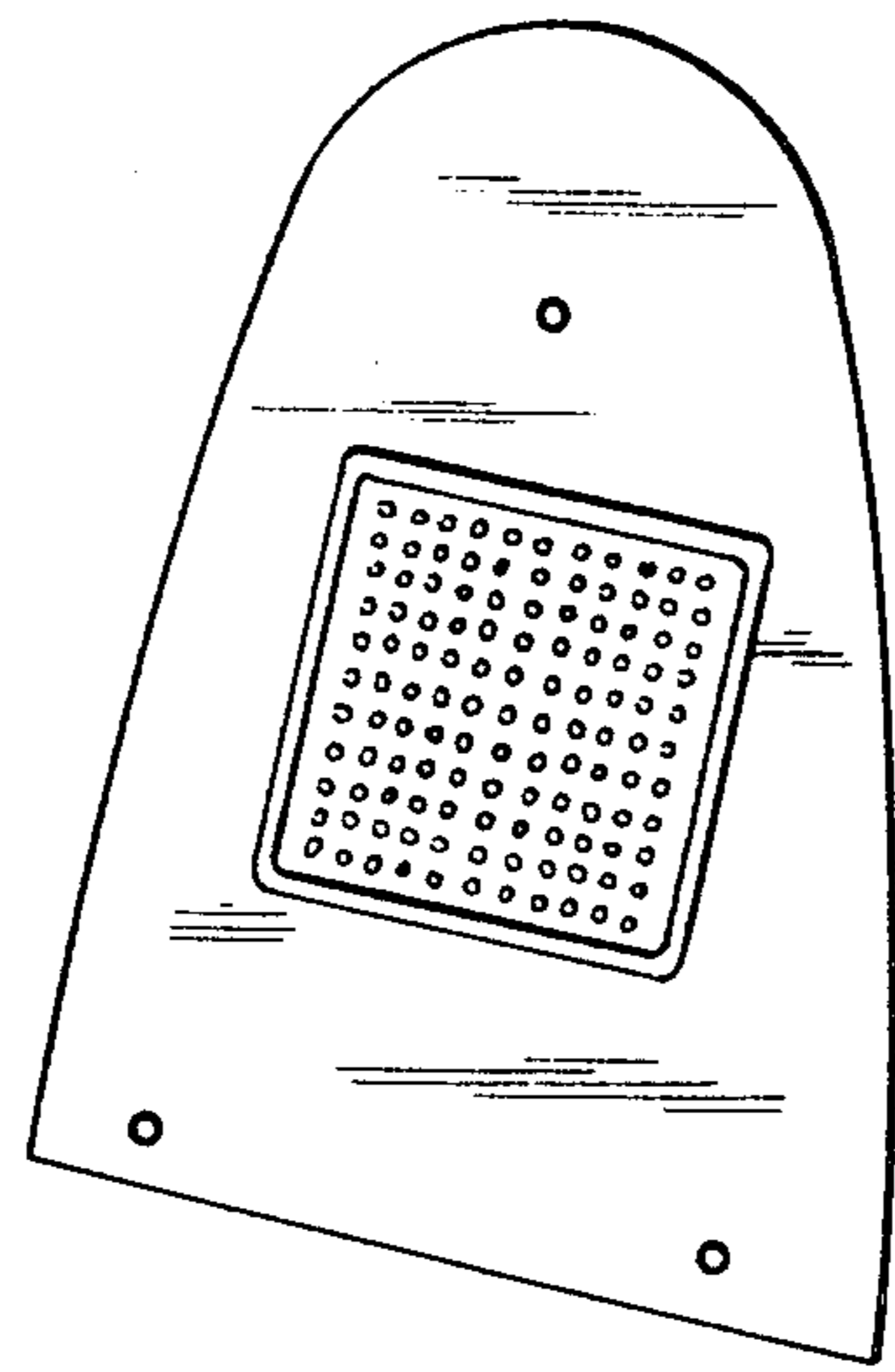


FIG. 1

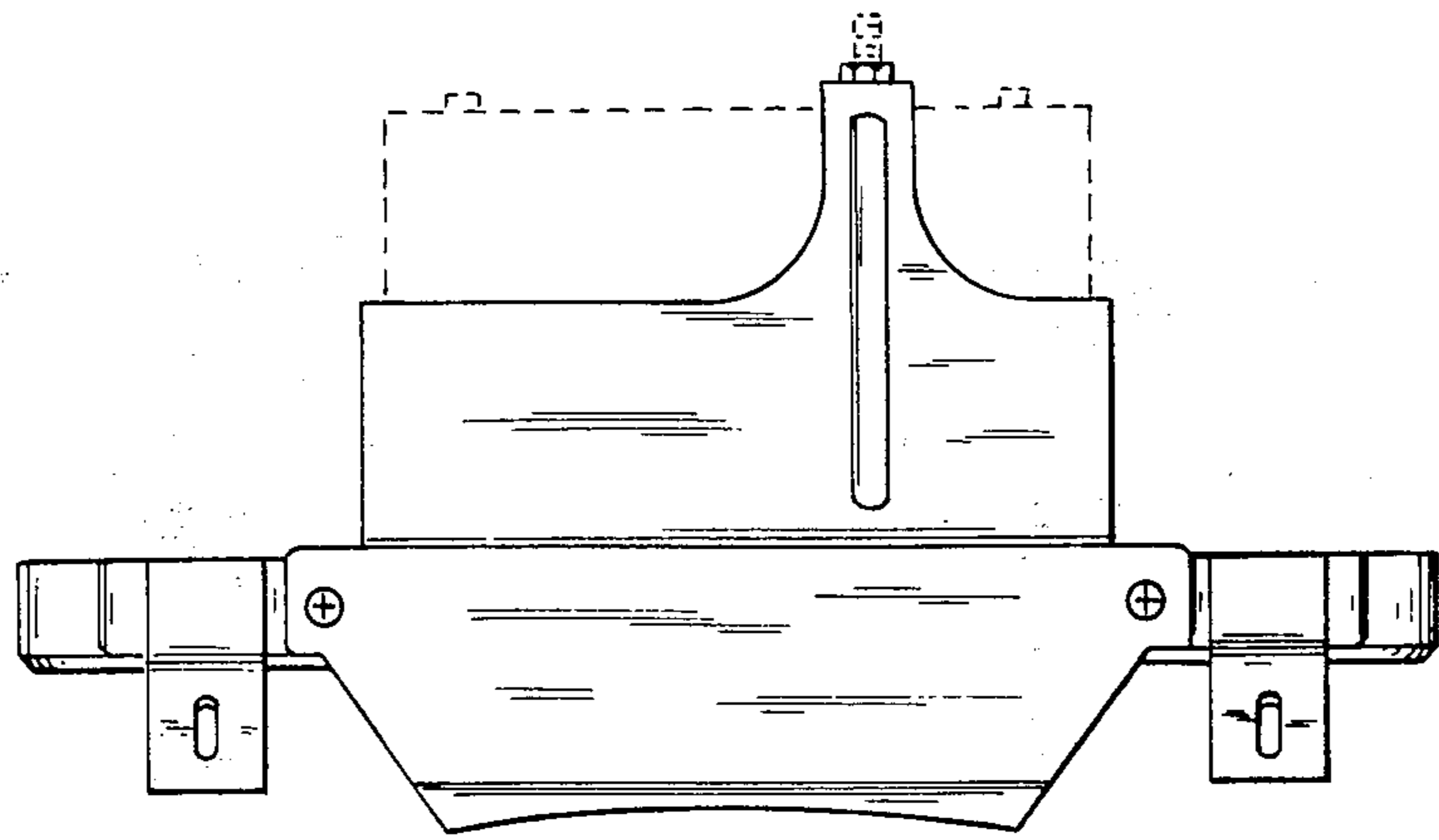


FIG. 3

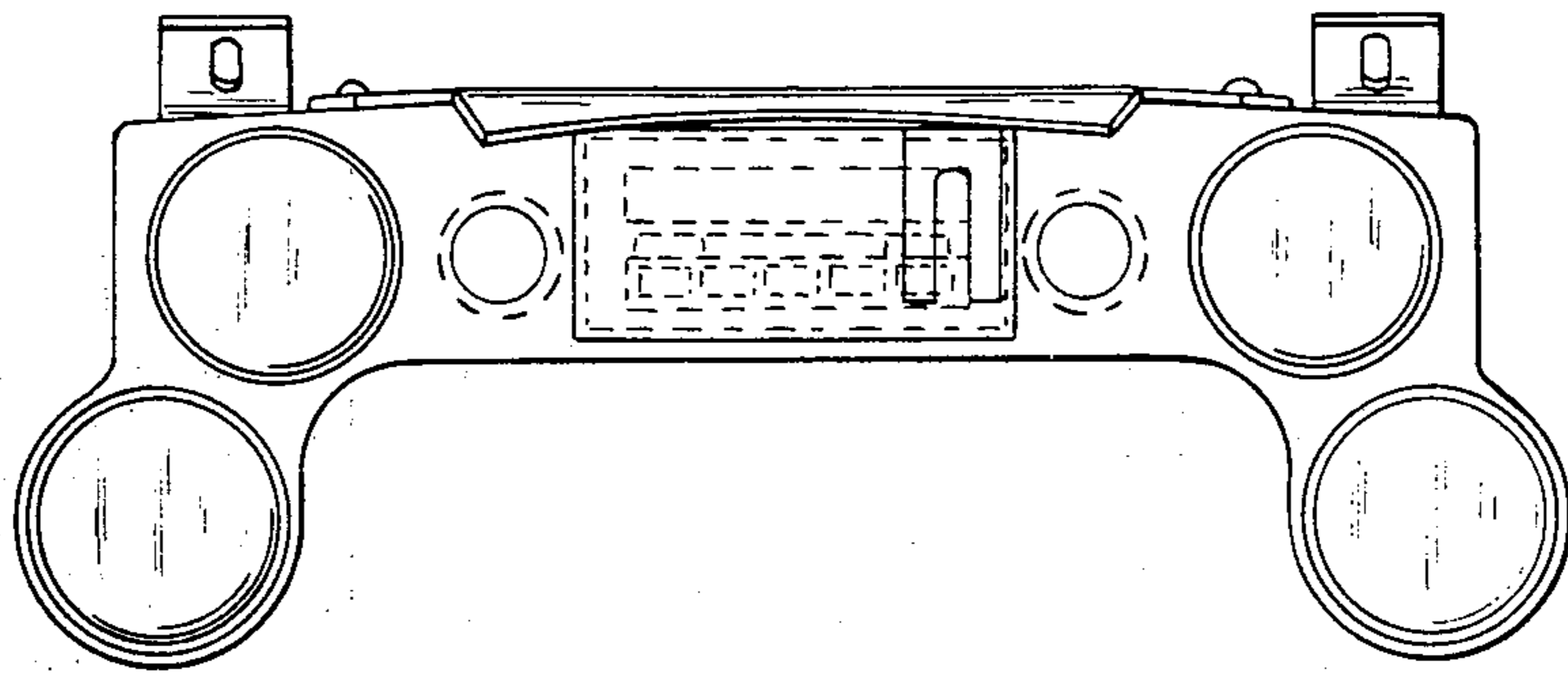


FIG. 2

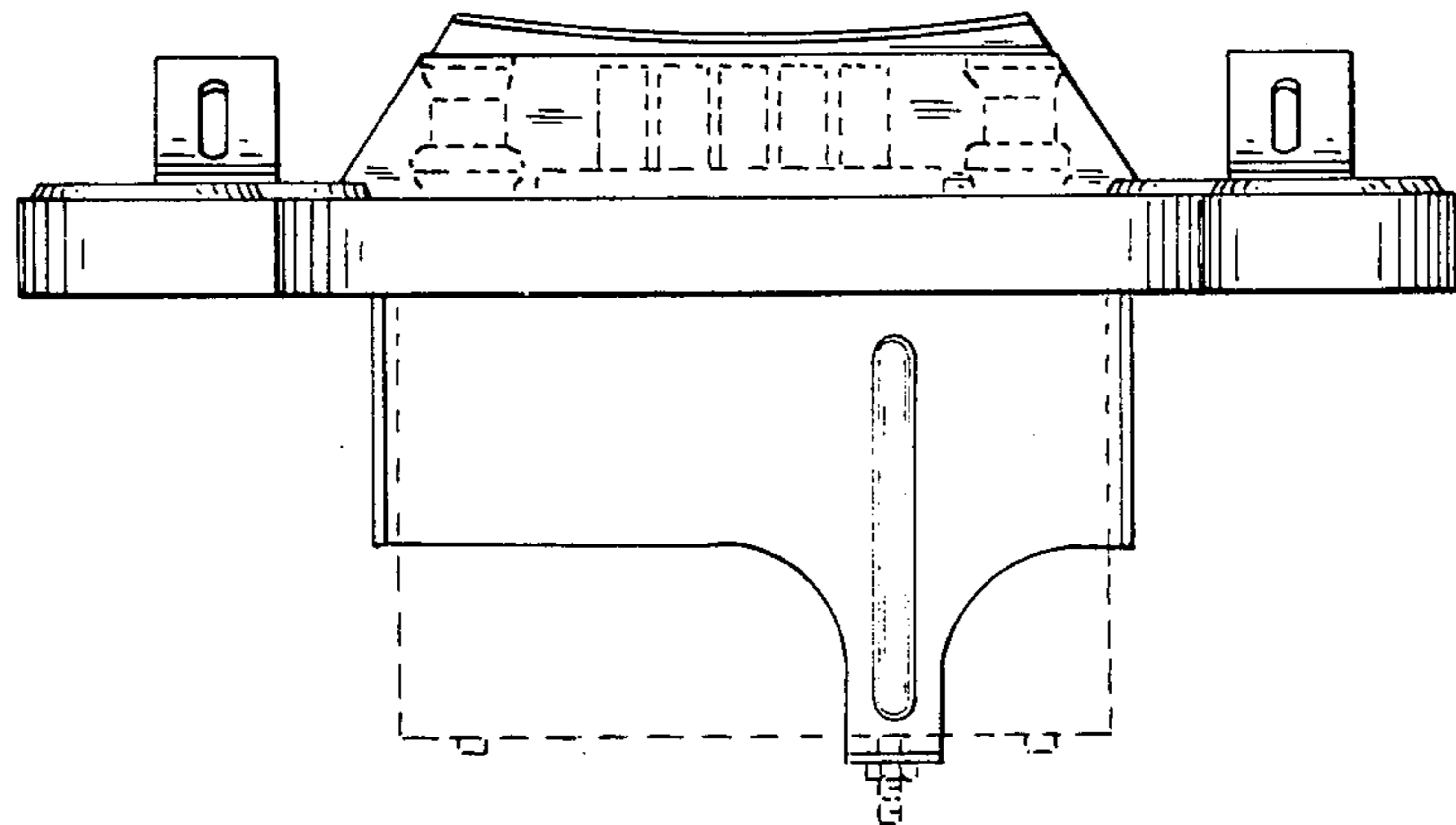


FIG. 4

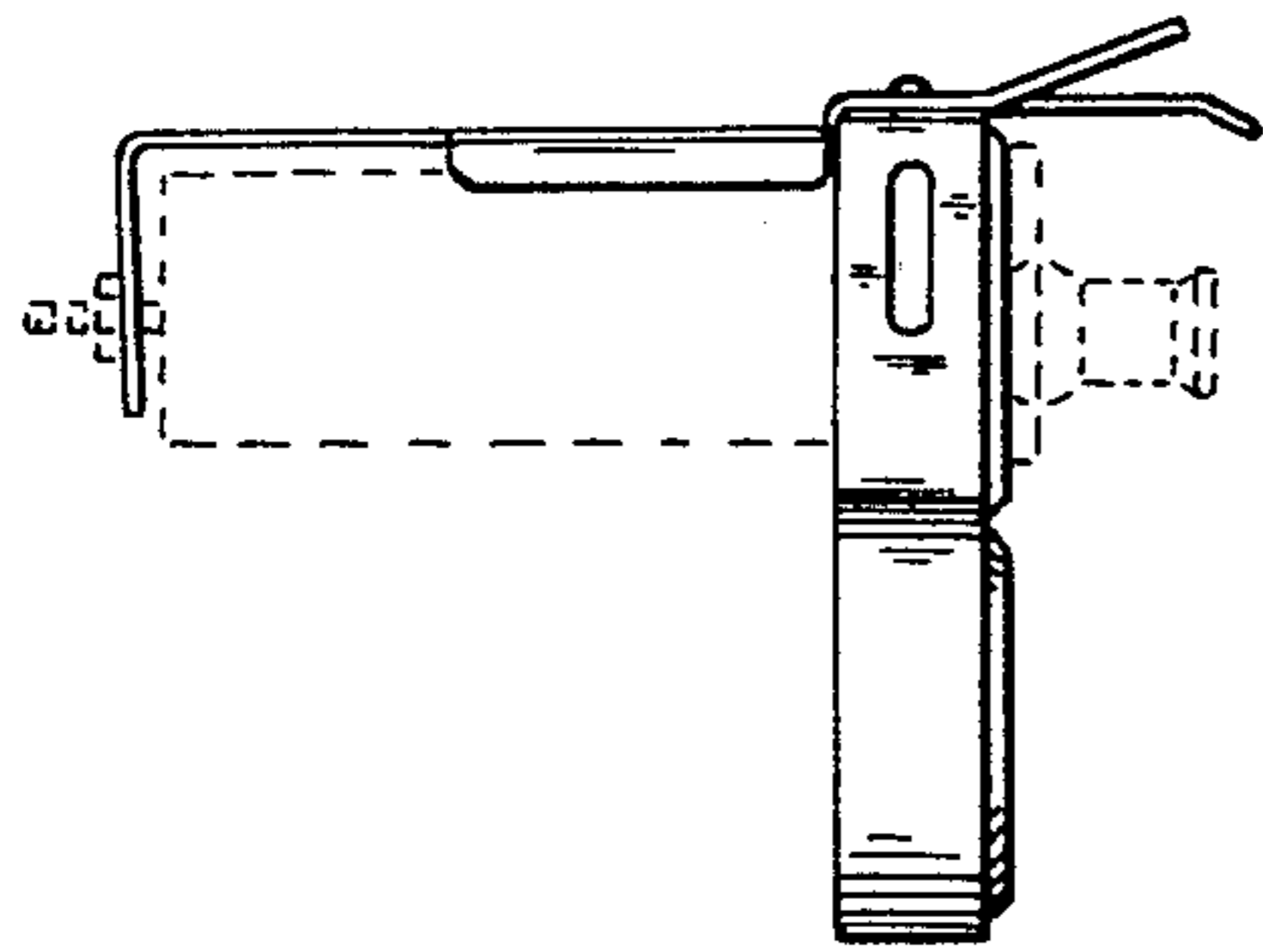


FIG. 5

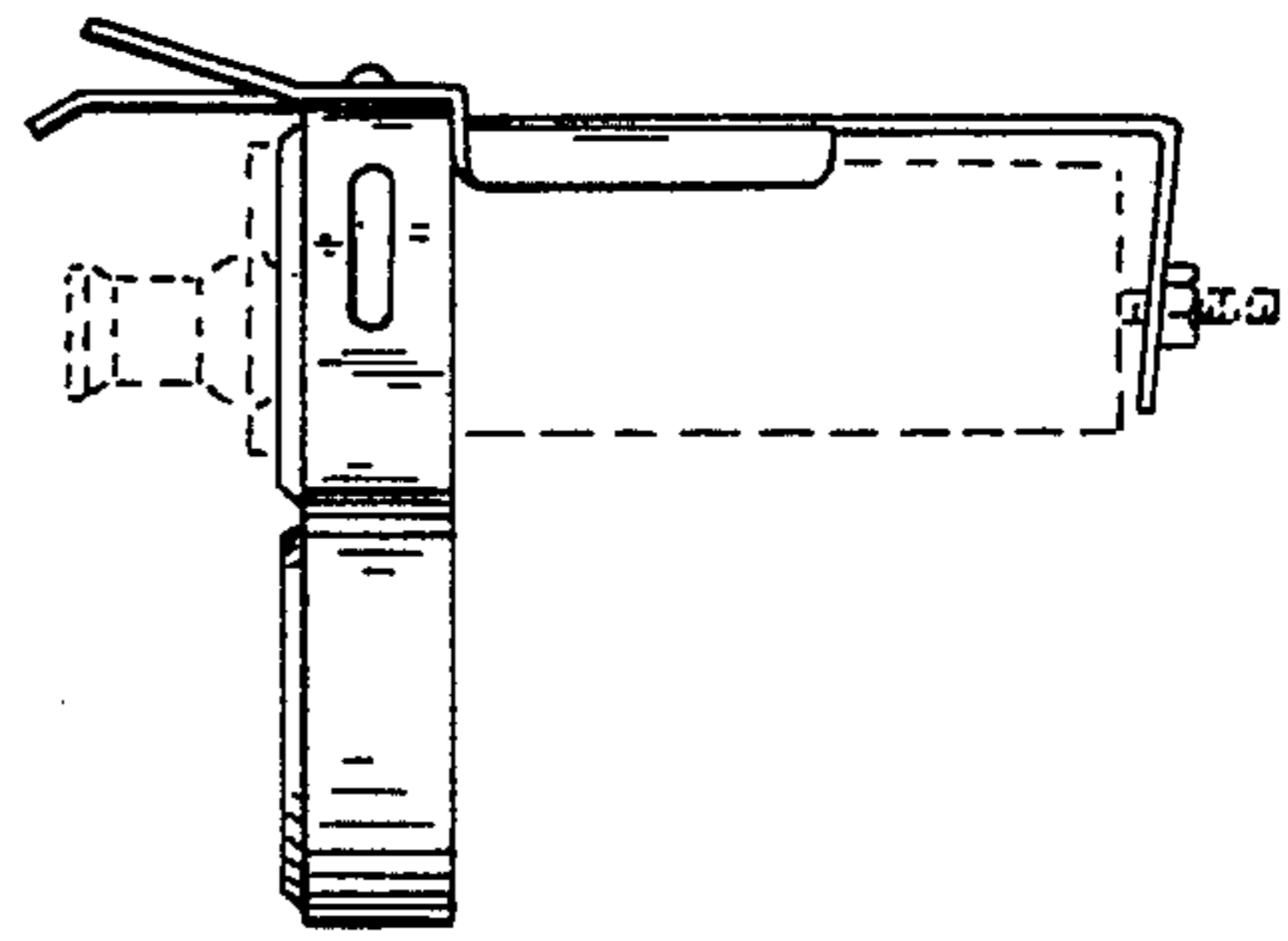


FIG. 6

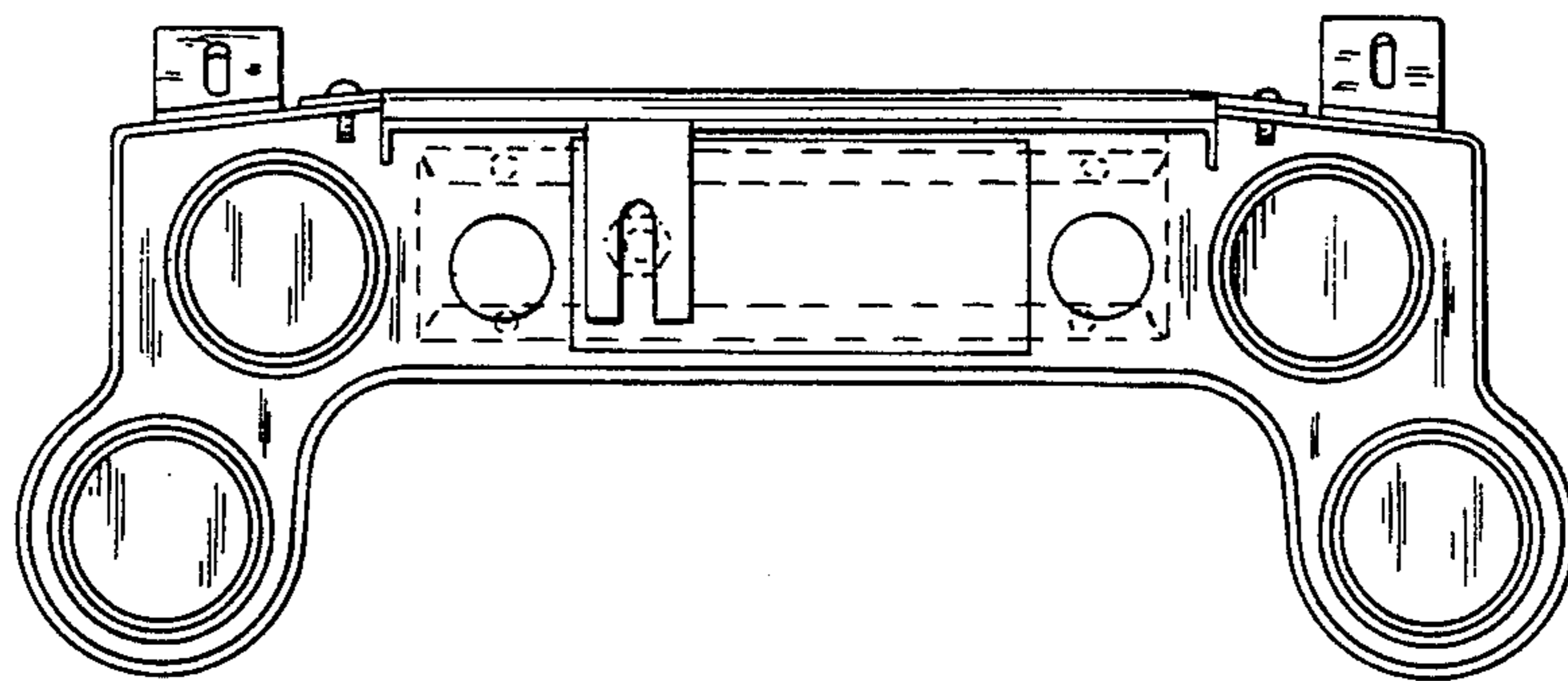


FIG. 7

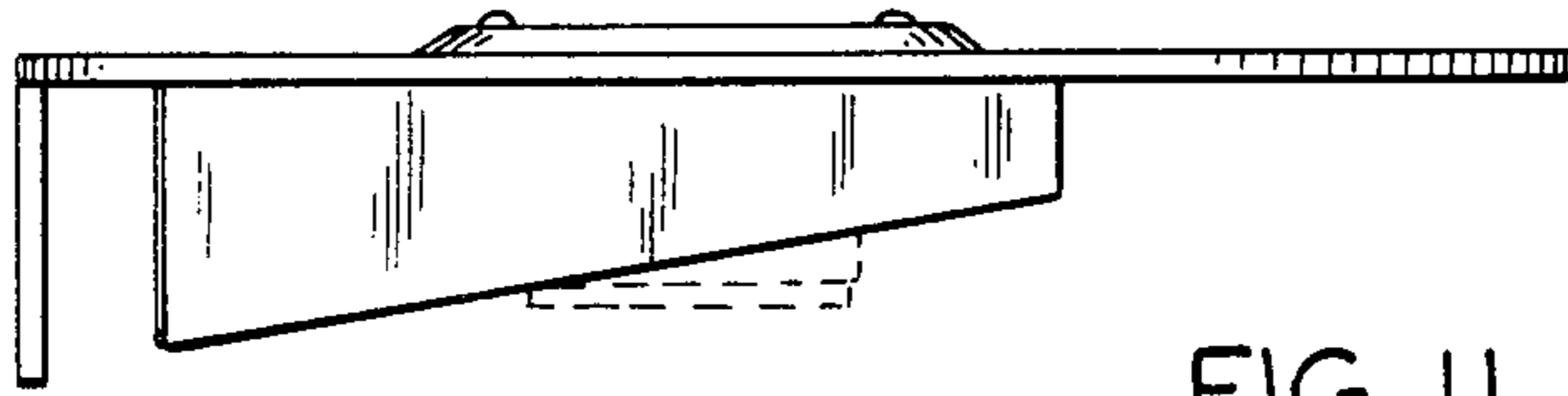


FIG. 11

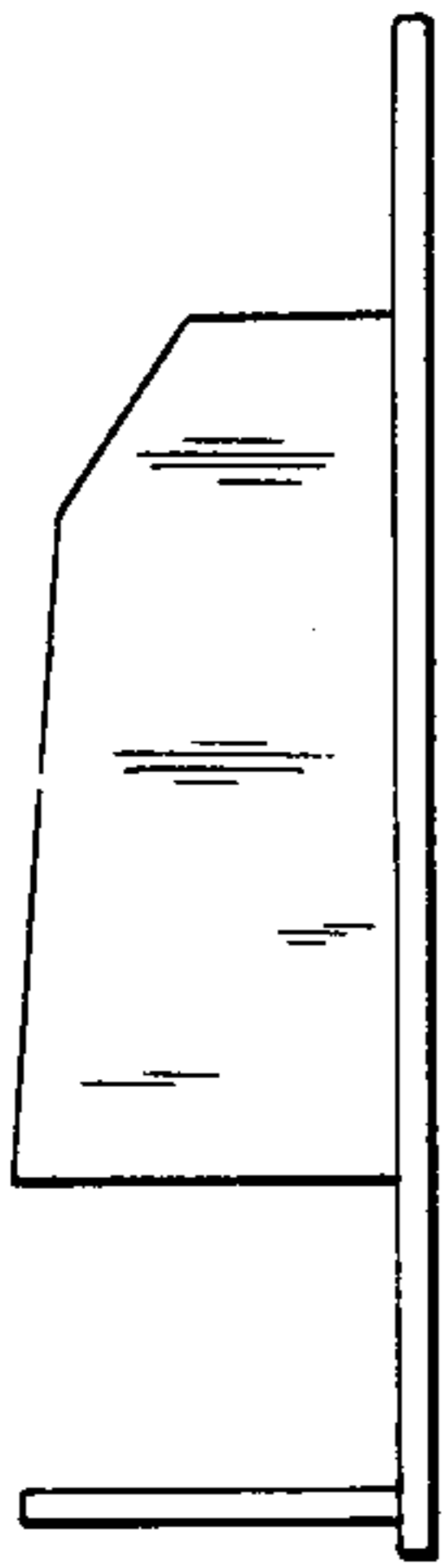


FIG. 9

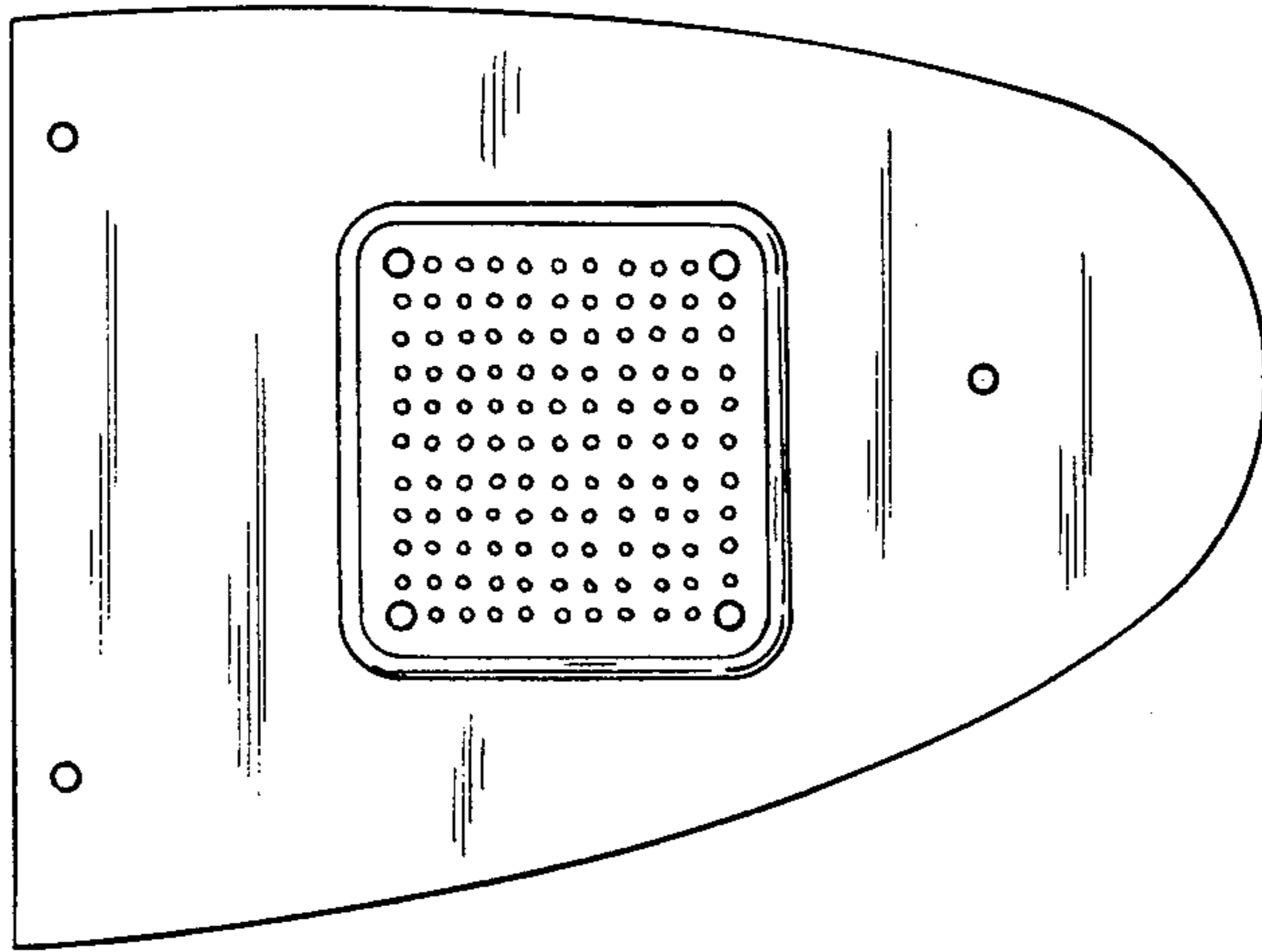


FIG. 8

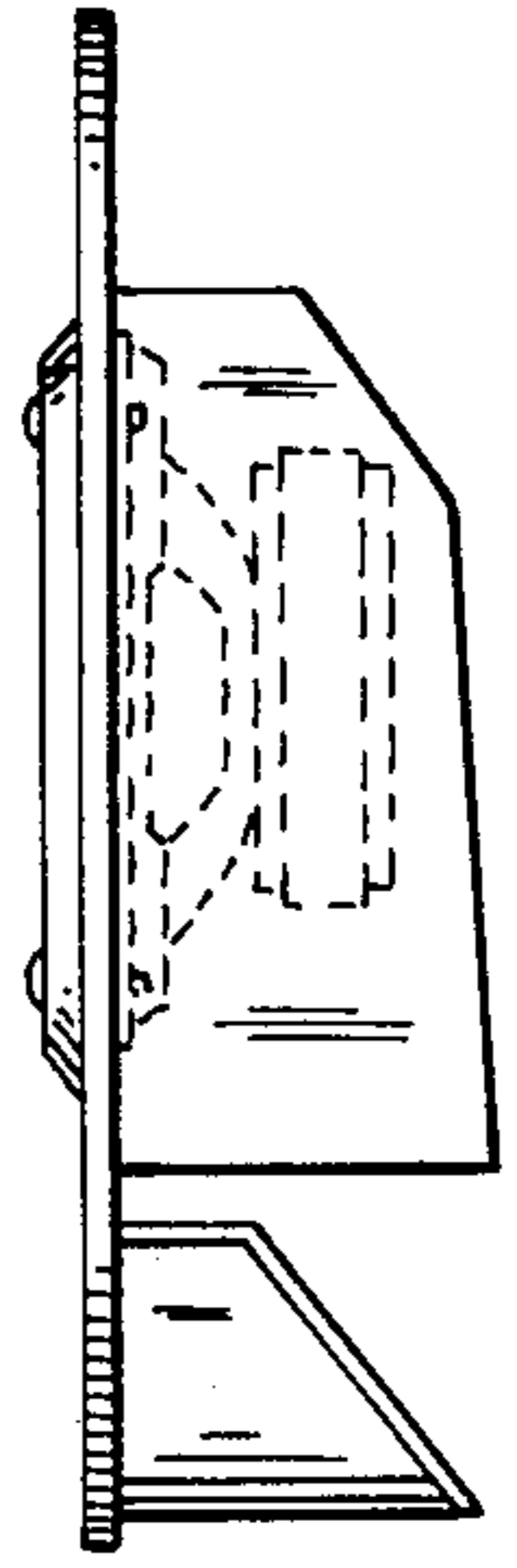


FIG. 10

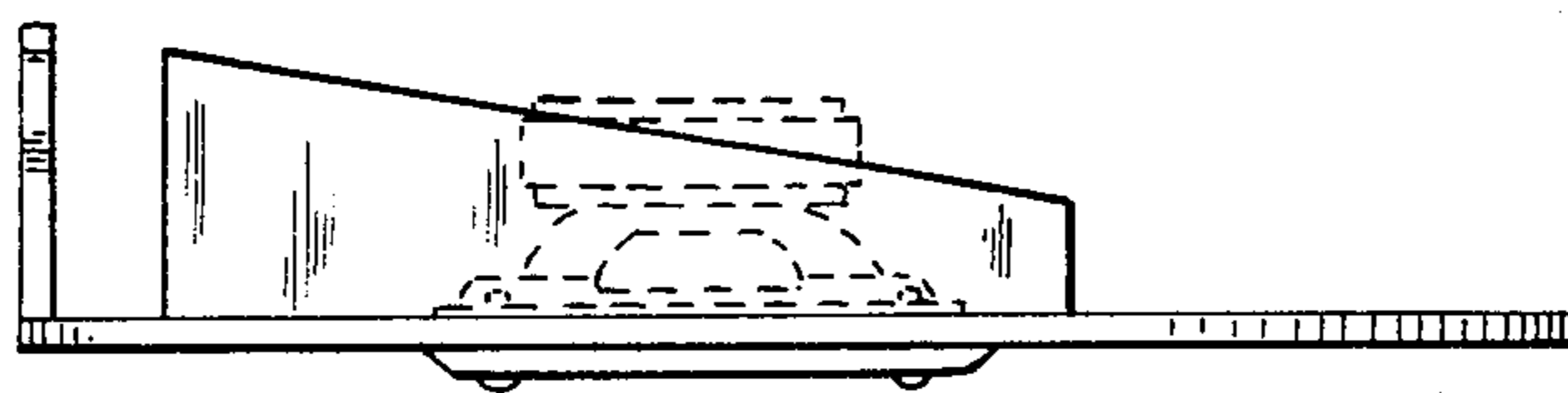


FIG. 12

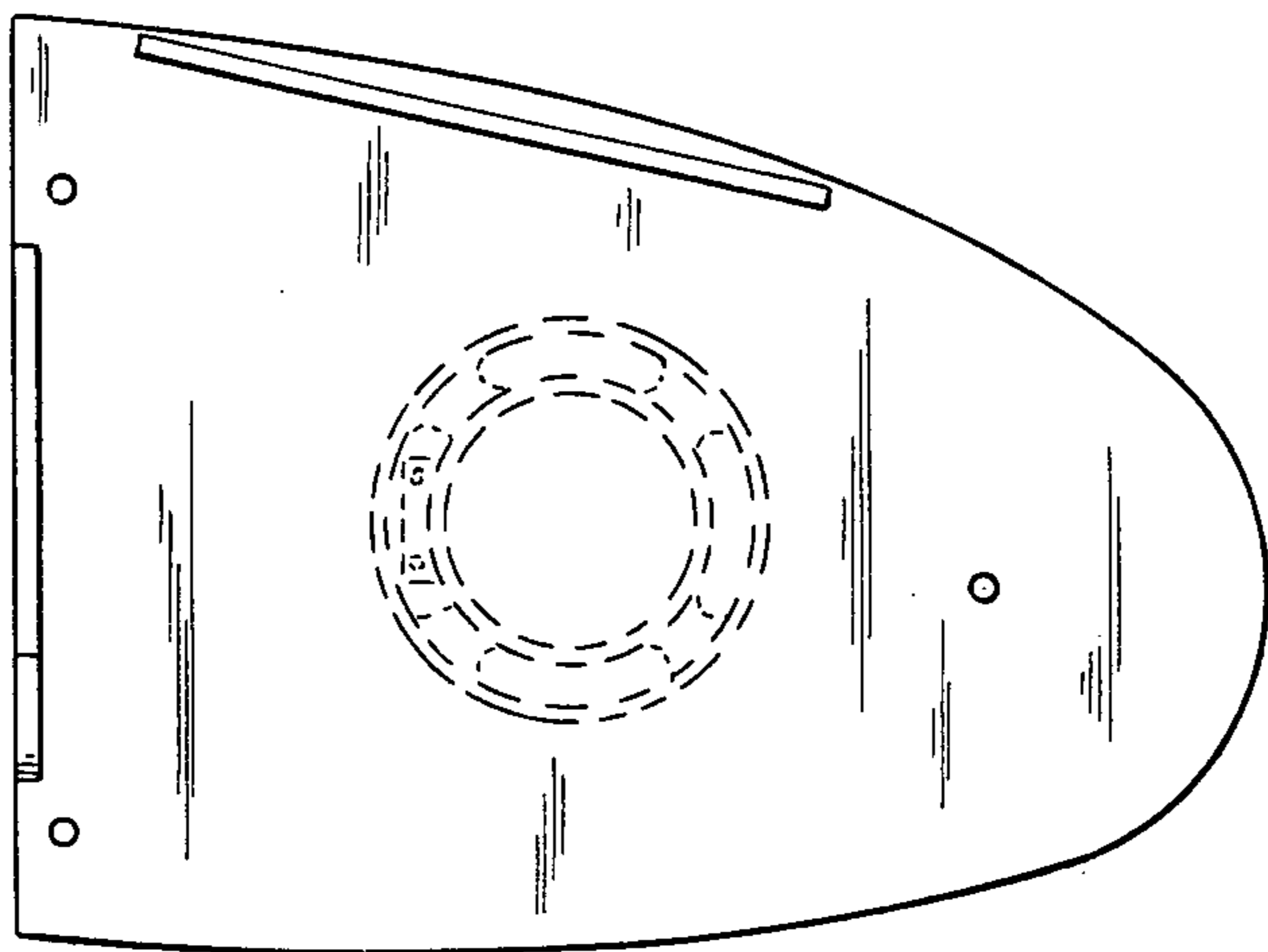


FIG. 13