

United States Patent [19]

Carlson

[11] Patent Number: **Des. 281,869**

[45] Date of Patent: **** Dec. 24, 1985**

[54] **WATER LEVEL FLOAT FOR USE IN PLANTERS**

[76] Inventor: **Arthur R. Carlson**, 401A Waverley Rd., East Malvern, Victoria 3144, Australia

[**] Term: **14 Years**

[21] Appl. No.: **472,143**

[22] Filed: **Mar. 4, 1983**

[52] U.S. Cl. **D11/164**

[58] Field of Search **D11/164, 143; 47/63, 47/66, 79, 80; 73/322, 322.5**

[56] **References Cited**

U.S. PATENT DOCUMENTS

2,499,885 3/1950 Sommer 73/322.5
2,801,541 8/1957 Moreland 73/322.5

4,171,593 10/1979 Bigglestone 73/322.5
4,219,269 8/1980 Bernhardt 73/322
4,270,309 6/1981 Baumann 47/63

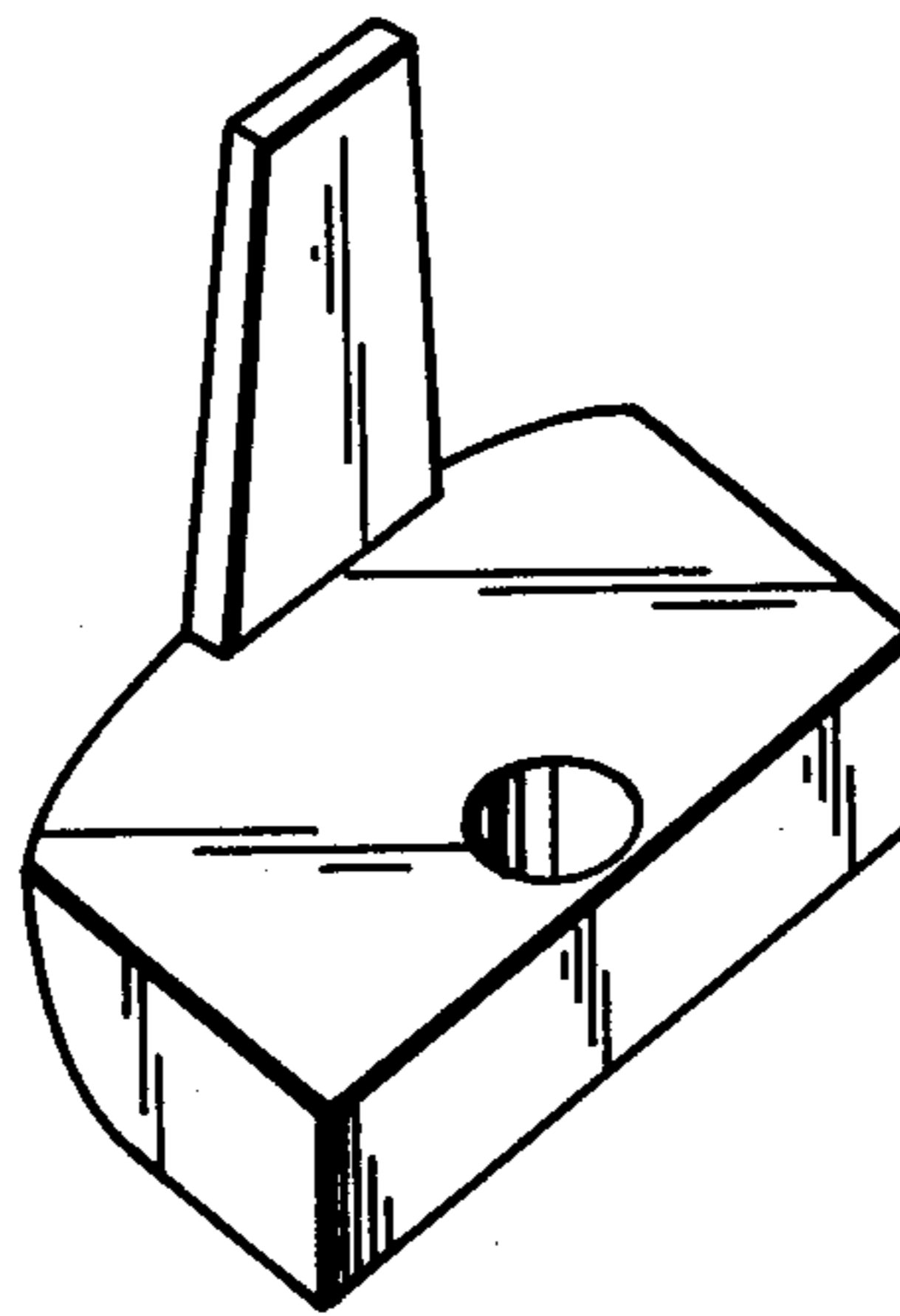
Primary Examiner—B. J. Bullock
Attorney, Agent, or Firm—Walter H. Schneider

[57] **CLAIM**

The ornamental design for a water level float for use in planters, as shown and described.

DESCRIPTION

FIG. 1 is a front elevational view of a water level float for use in planters showing my new design;
FIG. 2 is a side elevational view thereof taken from the left of FIG. 1;
FIG. 3 is a top plan view thereof;
FIG. 4 is a perspective view thereof.
The rear and bottom of the float are unornamented and the surfaces follow the contours visible in FIGS. 1-4.



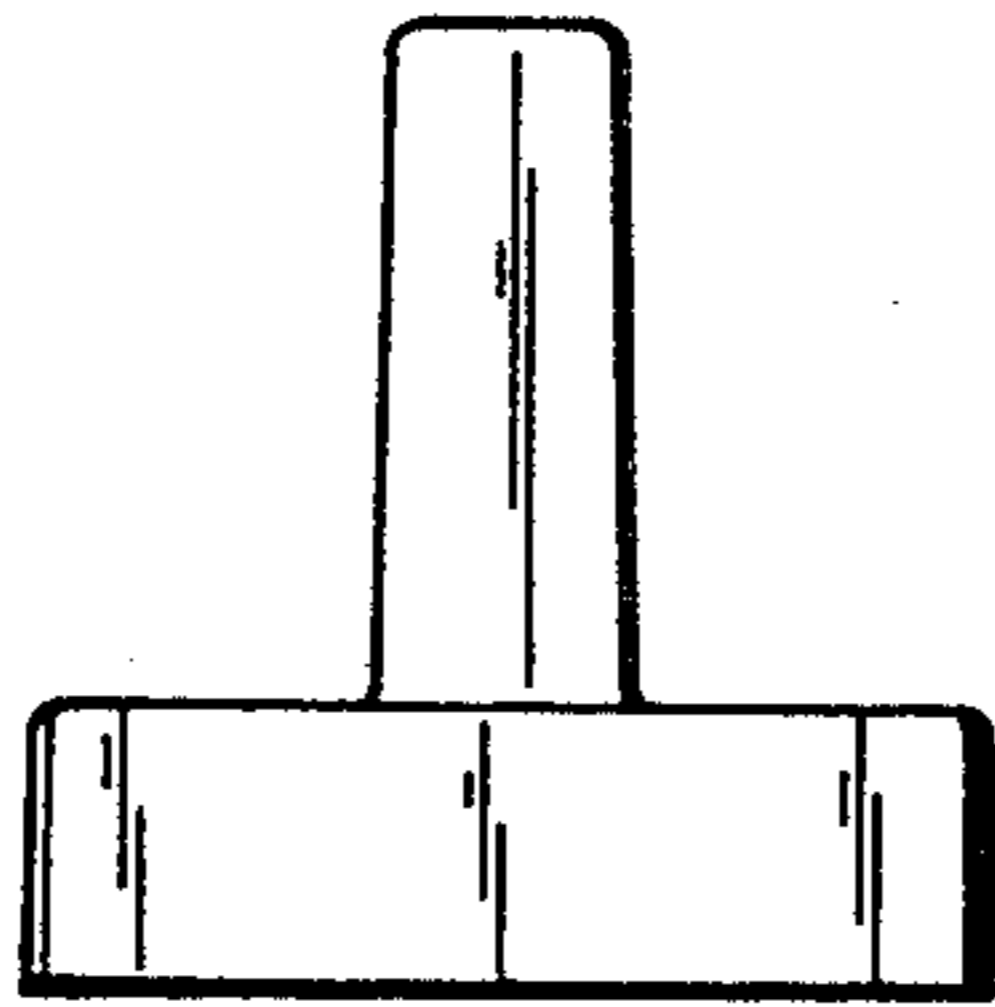


FIG. 1

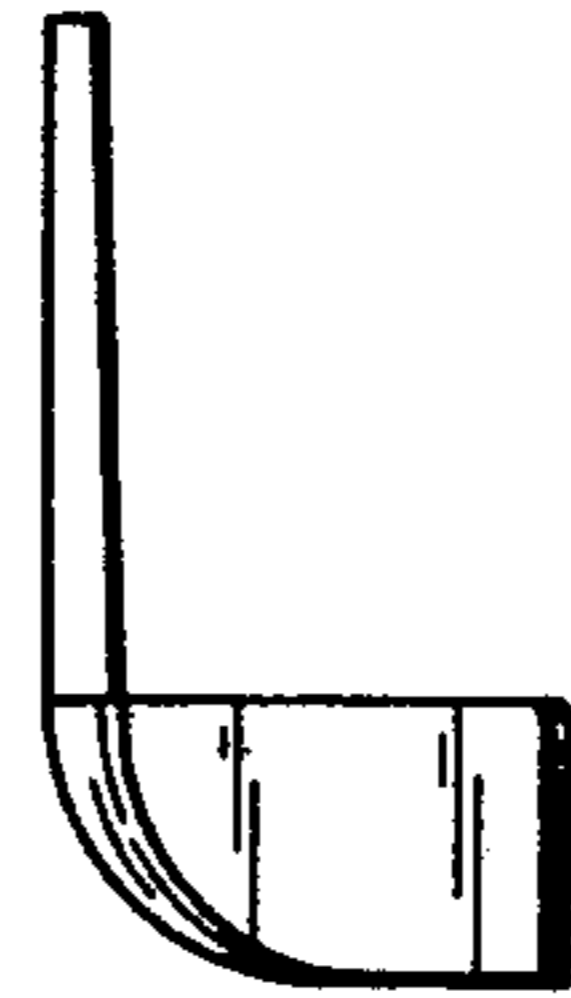


FIG. 2

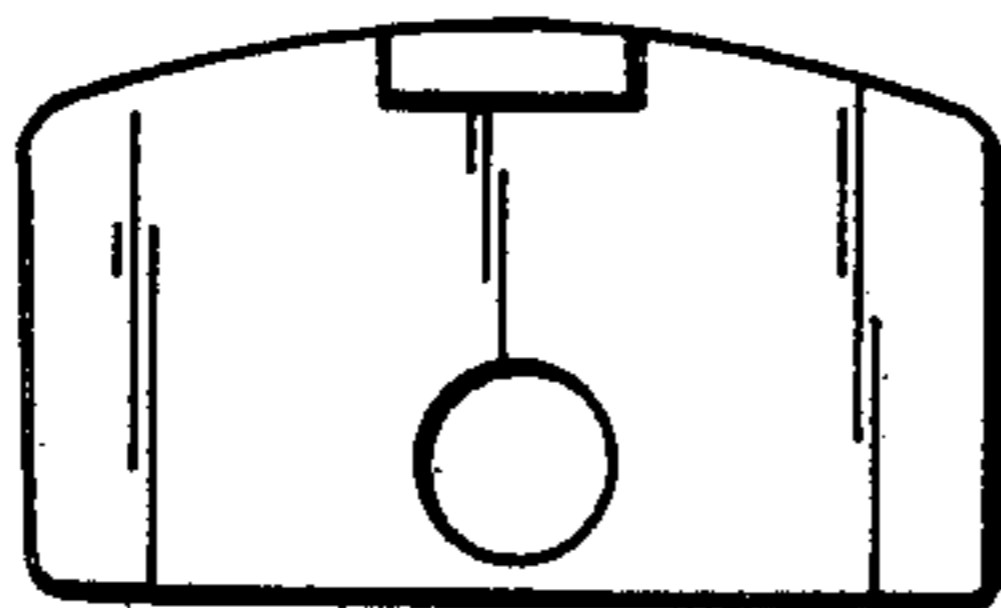


FIG. 3

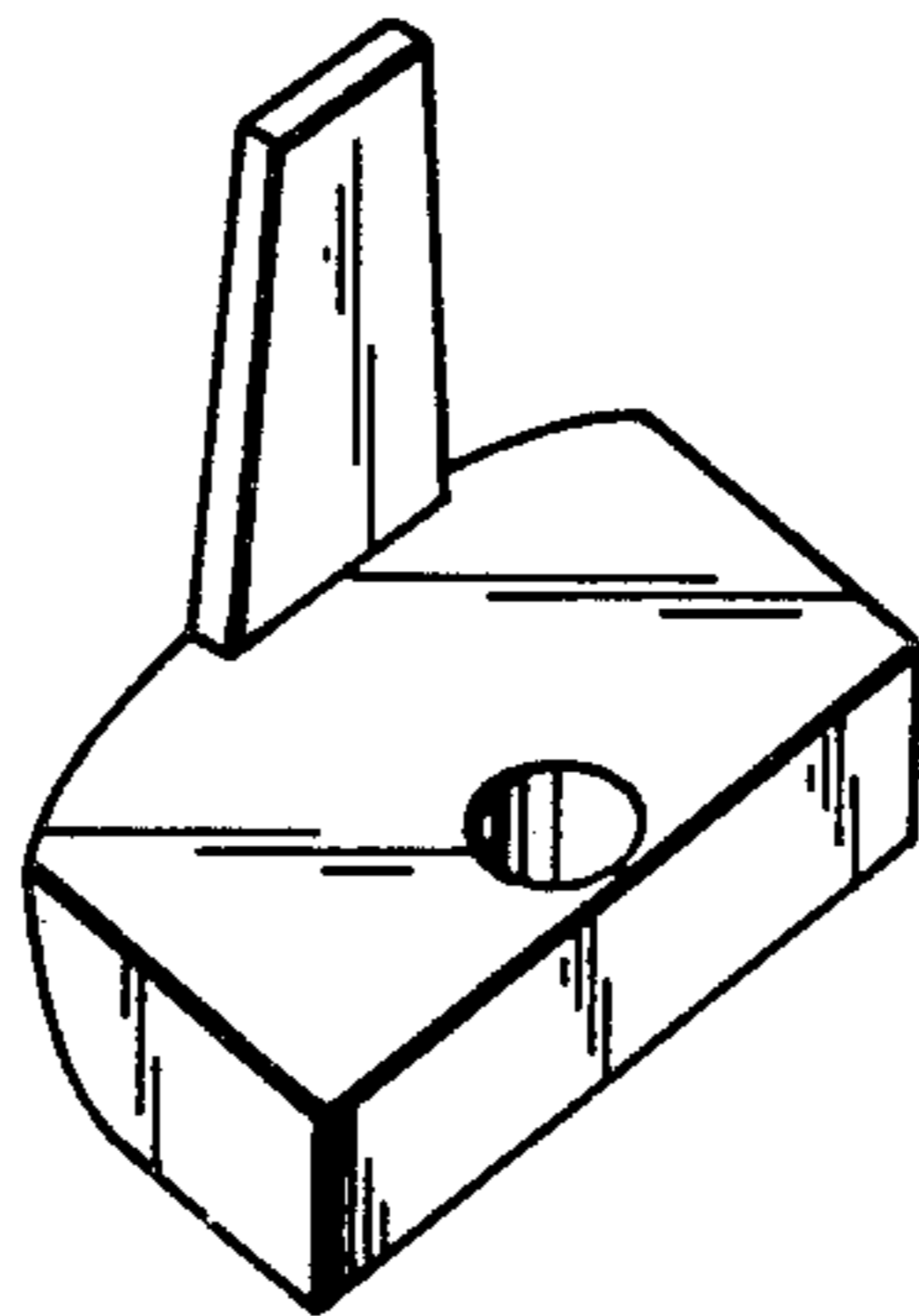


FIG. 4