

[54] **LADING TIE ANCHOR**

[75] **Inventor: Rudolph E. Nadherny, Naperville, Ill.**

[73] **Assignee: Ireco, Inc., Chicago, Ill.**

[**] **Term: 14 Years**

[21] **Appl. No.: 548,714**

[22] **Filed: Nov. 4, 1983**

[52] **U.S. Cl. D8/382**

[58] **Field of Search D8/382, 384; 410/101, 410/106, 108**

3,334,914 8/1967 Vierregger 410/106
4,242,021 12/1980 Sloane 410/106

FOREIGN PATENT DOCUMENTS

0532771 11/1950 Canada 410/108

Primary Examiner—B. J. Bullock

Attorney, Agent, or Firm—Lockwood, Alex, FitzGibbon & Cummings

[57] **CLAIM**

The ornamental design for a lading tie anchor, as shown and described.

DESCRIPTION

FIG. 1 is a perspective view of a lading tie anchor embodying my new design;

FIG. 2 is a top plan view;

FIG. 3 is a bottom plan view;

FIG. 4 is both a front and rear elevational view;

FIG. 5 is both a left side and right side elevational view.

[56] **References Cited**

U.S. PATENT DOCUMENTS

D. 027,643	9/1897	Knox	D8/384
2,716,382	8/1955	Johnson	.	
2,803,201	8/1957	Johnson et al.	410/106
3,233,319	2/1966	Jensen et al.	410/108

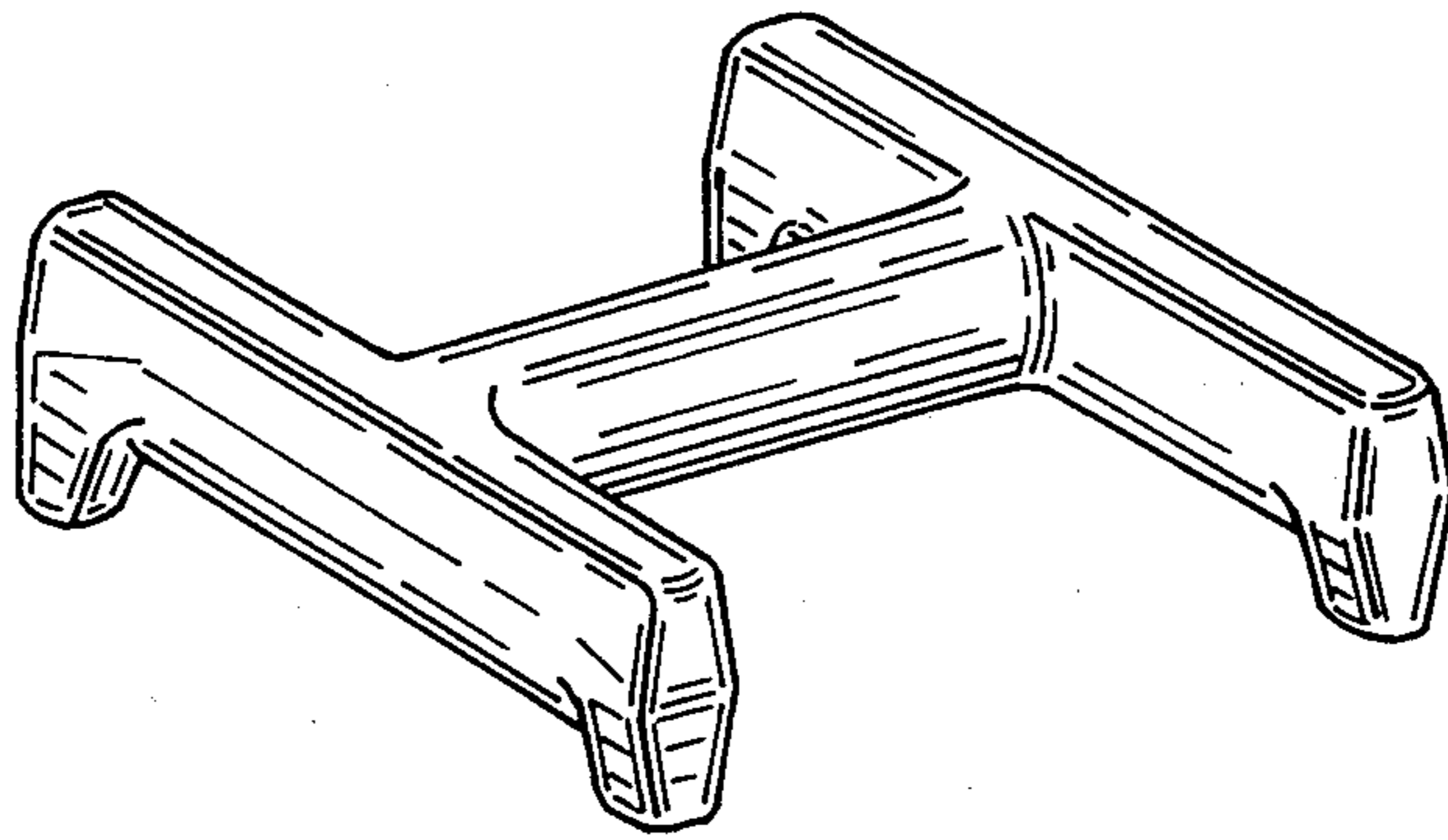


FIG. 1.

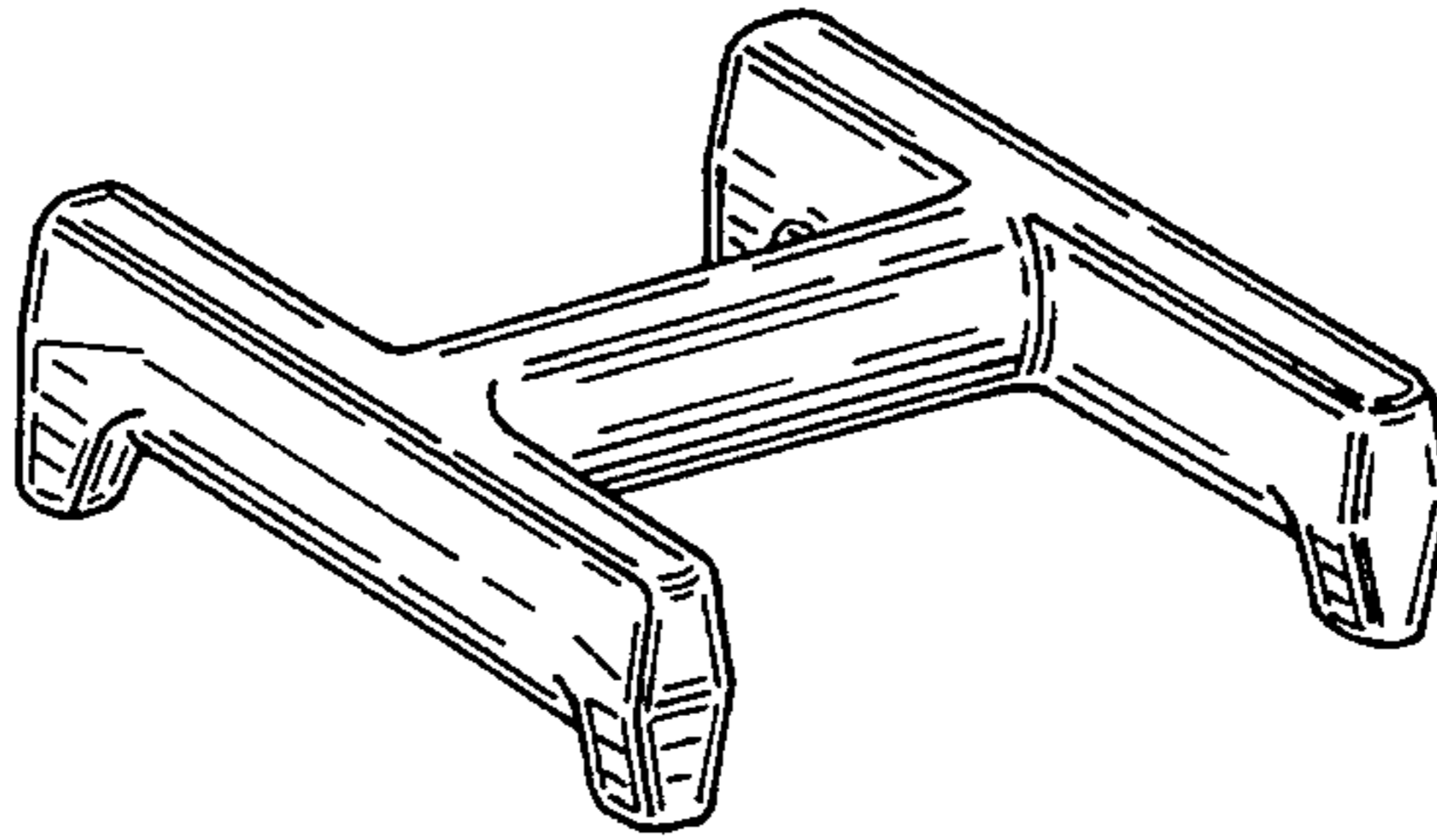


FIG. 2.

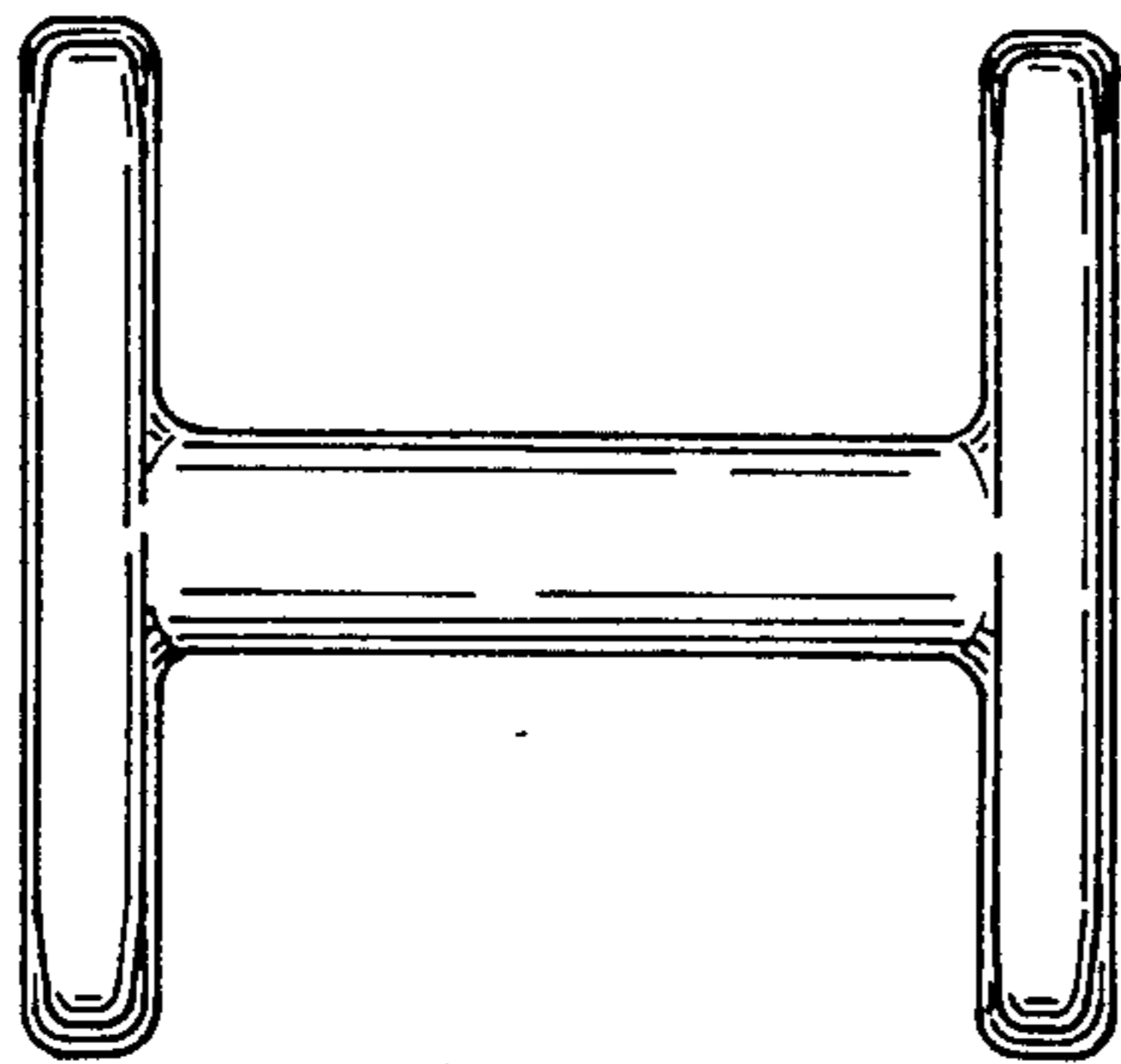


FIG. 3.

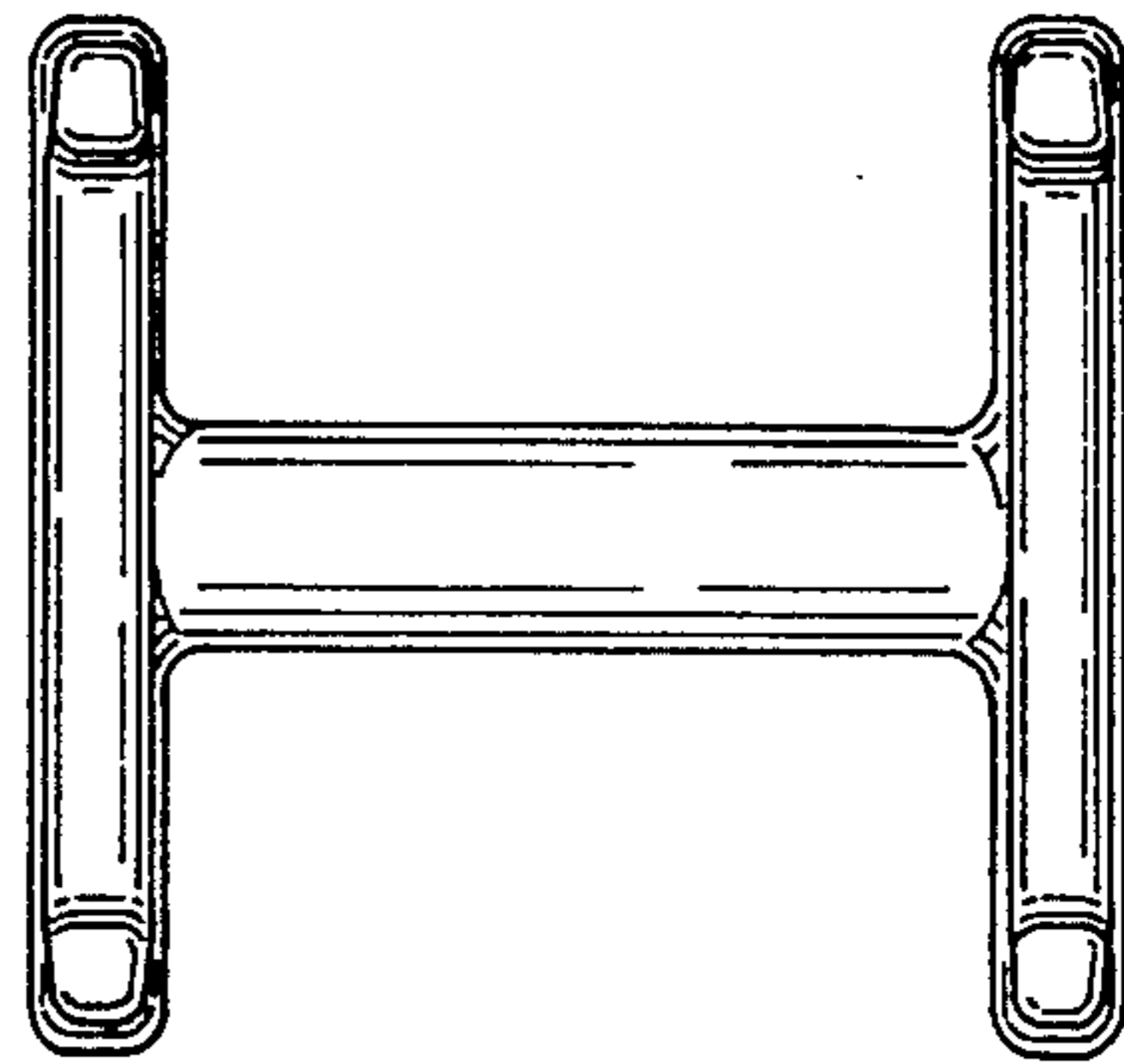


FIG. 4.

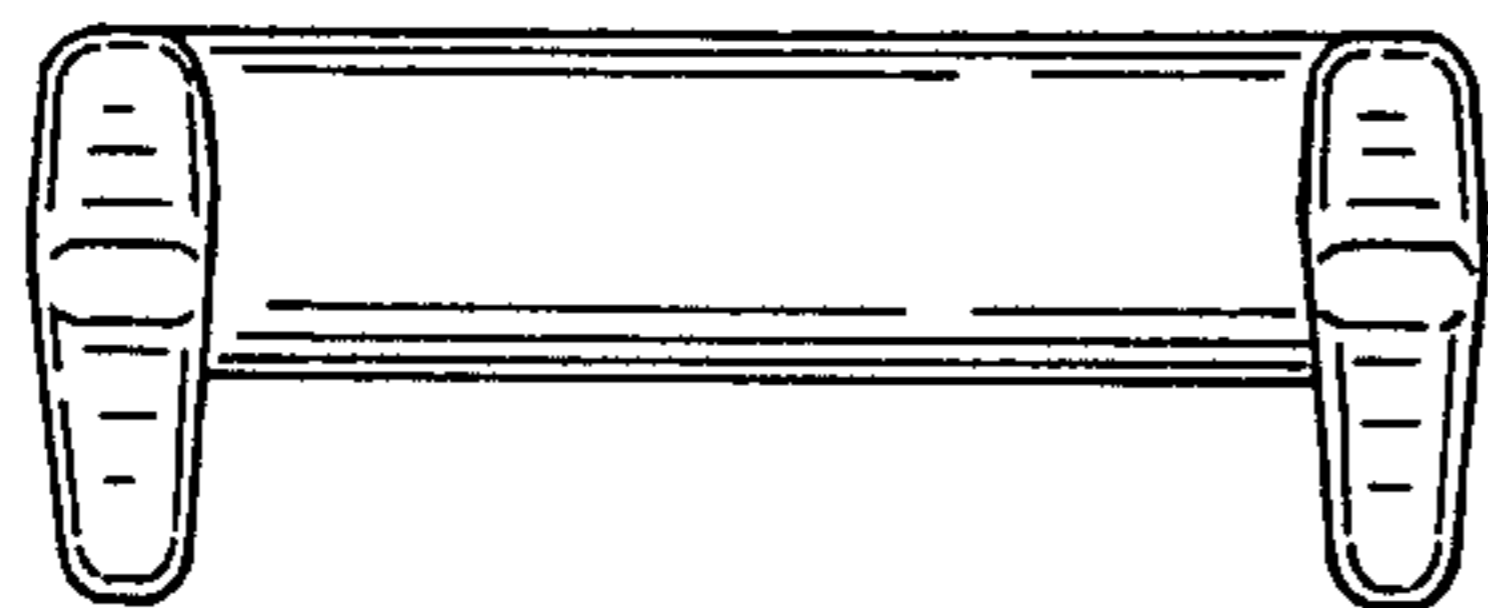


FIG. 5.

