

[54] **CONVEYOR CHAIN TOOL**

[76] **Inventor: George Hamatani, Rte. 1, Box 400, Clarksburg, Calif. 95612**

[**] **Term: 14 Years**

[21] **Appl. No.: 529,252**

[22] **Filed: Sep. 6, 1983**

[52] **U.S. Cl. D8/72; D8/51**

[58] **Field of Search D8/71, 72, 73, 74, 57, D8/52; 269/239, 242; 81/90.1, 90.9, 91.3, 487**

[56] **References Cited**

U.S. PATENT DOCUMENTS

D. 222,331	10/1971	Shultz	D8/51
D. 252,255	7/1979	Uyeda	D8/73
922,336	5/1909	Rivers	269/242
2,886,080	5/1959	Rappeport	269/239
3,736,629	6/1973	Blake	D8/72

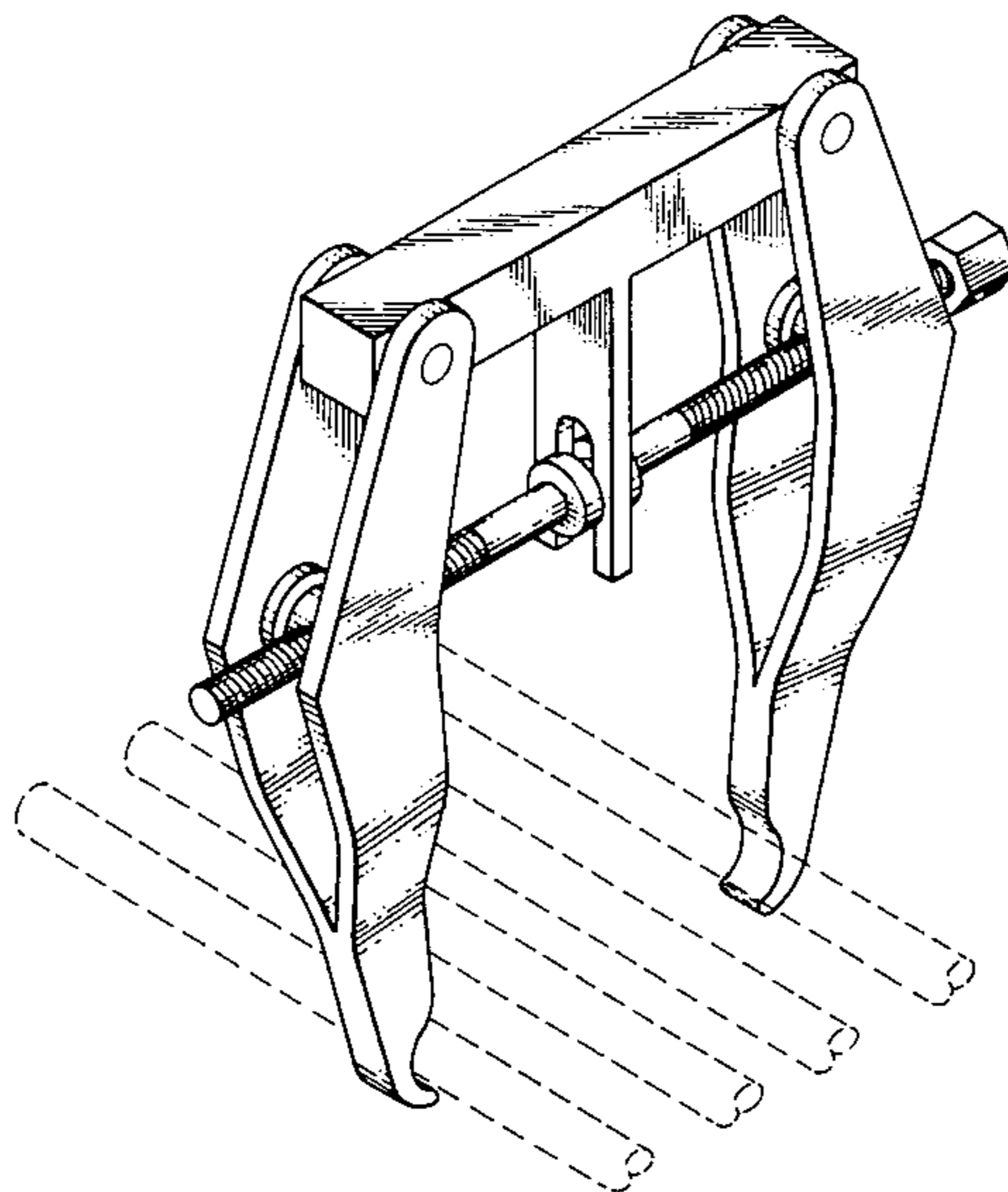
Primary Examiner—B. J. Bullock
Assistant Examiner—Suzanne N. Gitlin
Attorney, Agent, or Firm—Lothrop & West

[57] **CLAIM**

The ornamental design for a conveyor chain tool, as shown and described.

DESCRIPTION

FIG. 1 is a perspective view of a conveyor chain tool, showing my new design;
FIG. 2 is a front elevational view thereof, the rear elevation being a mirror image thereof;
FIG. 3 is a top plan view;
FIG. 4 is a bottom plan view;
FIG. 5 is an end elevational view taken from the left of FIG. 1;
FIG. 6 is an end elevational view taken from the right of FIG. 1.



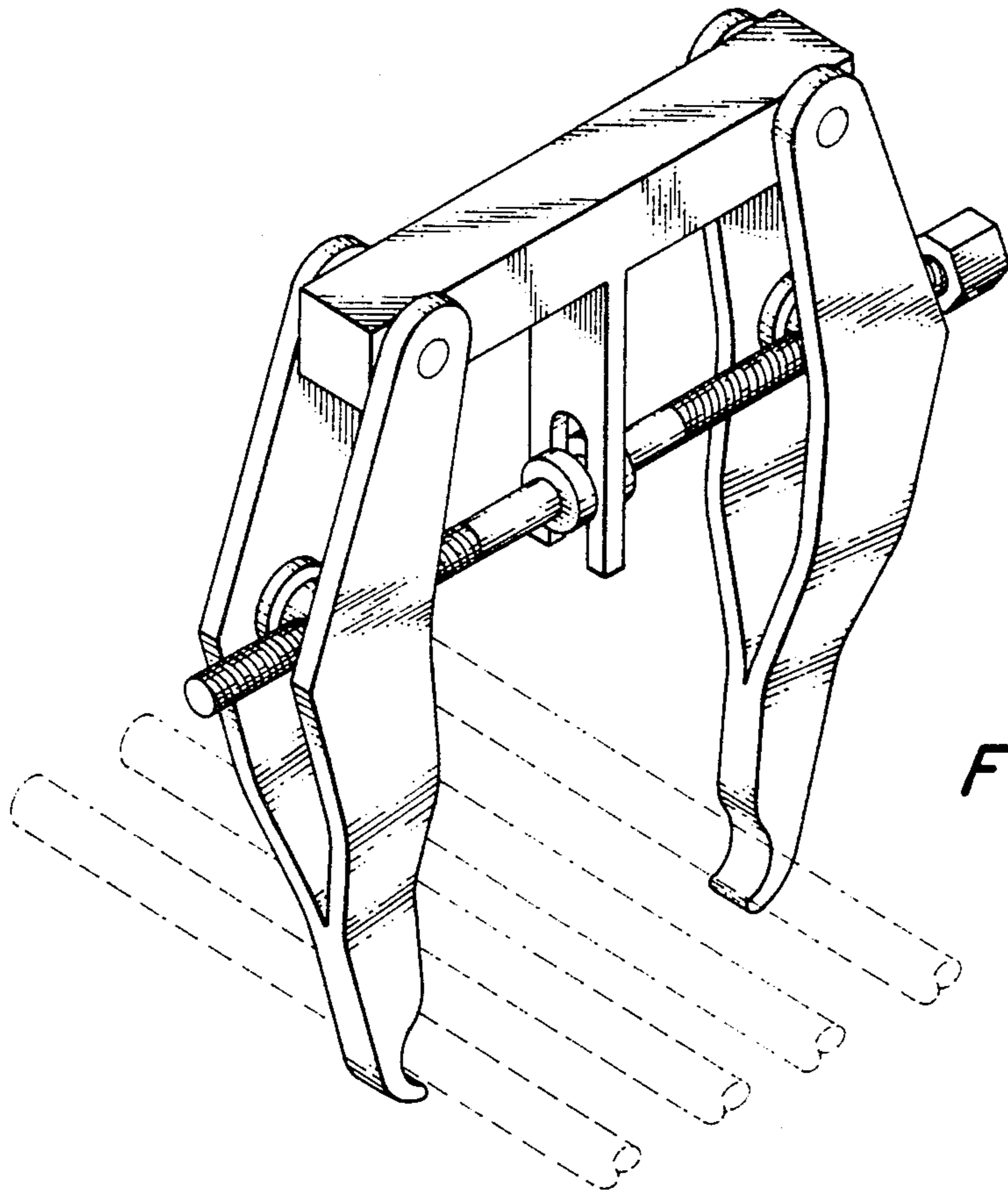


FIG. 1.

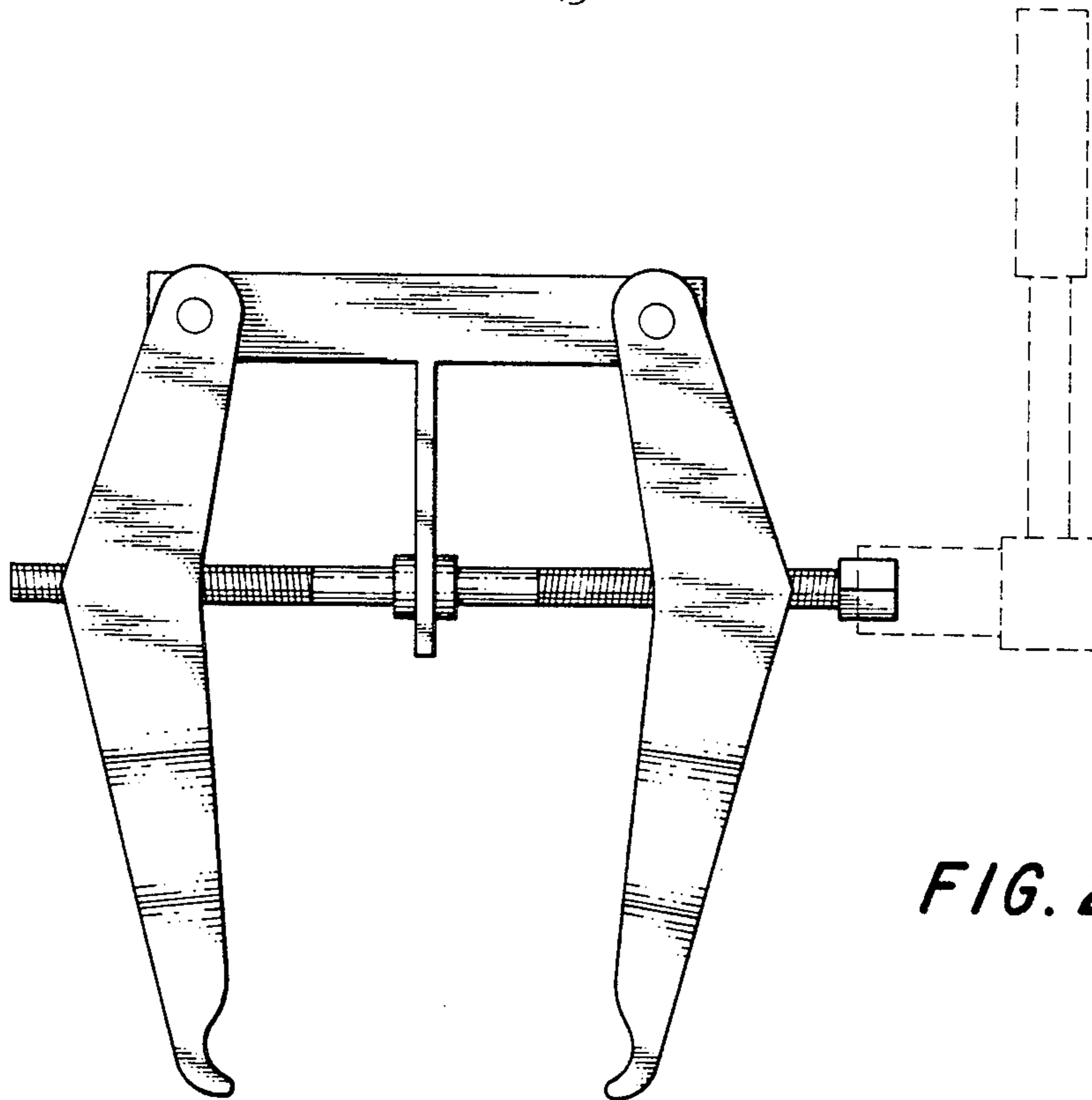


FIG. 2.

FIG. 3.

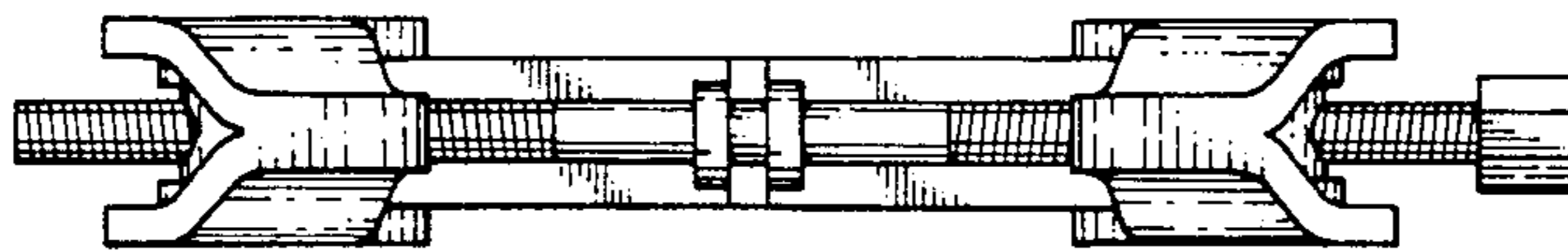
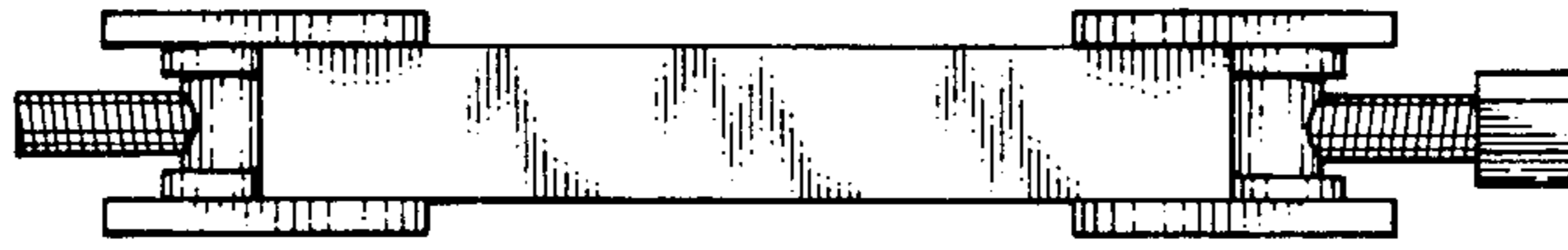


FIG. 4.

FIG. 5.

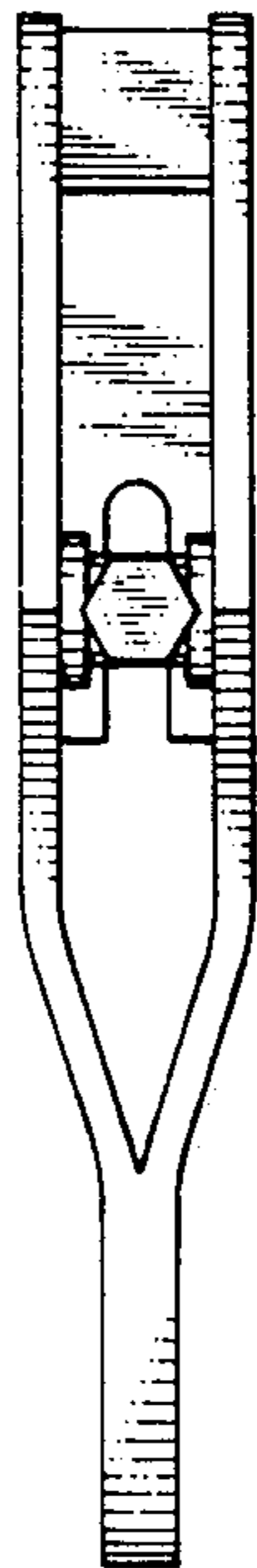


FIG. 6.

