

[54] **CLAM DIGGING TOOL**
[76] **Inventor: Bobby M. Poole, Rte. 2, Box 229, Asheboro, N.C. 27203**
[**] **Term: 14 Years**
[21] **Appl. No.: 560,211**
[22] **Filed: Dec. 12, 1983**
[52] **U.S. Cl. D8/13**
[58] **Field of Search D8/1, 13, 6; 37/119; 294/49, 55.5**

1,515,975 11/1924 Smith D8/13

FOREIGN PATENT DOCUMENTS

0424412 2/1935 United Kingdom D8/1

Primary Examiner—B. J. Bullock

[57] **CLAIM**

The ornamental design for a clam digging tool, as shown and described.

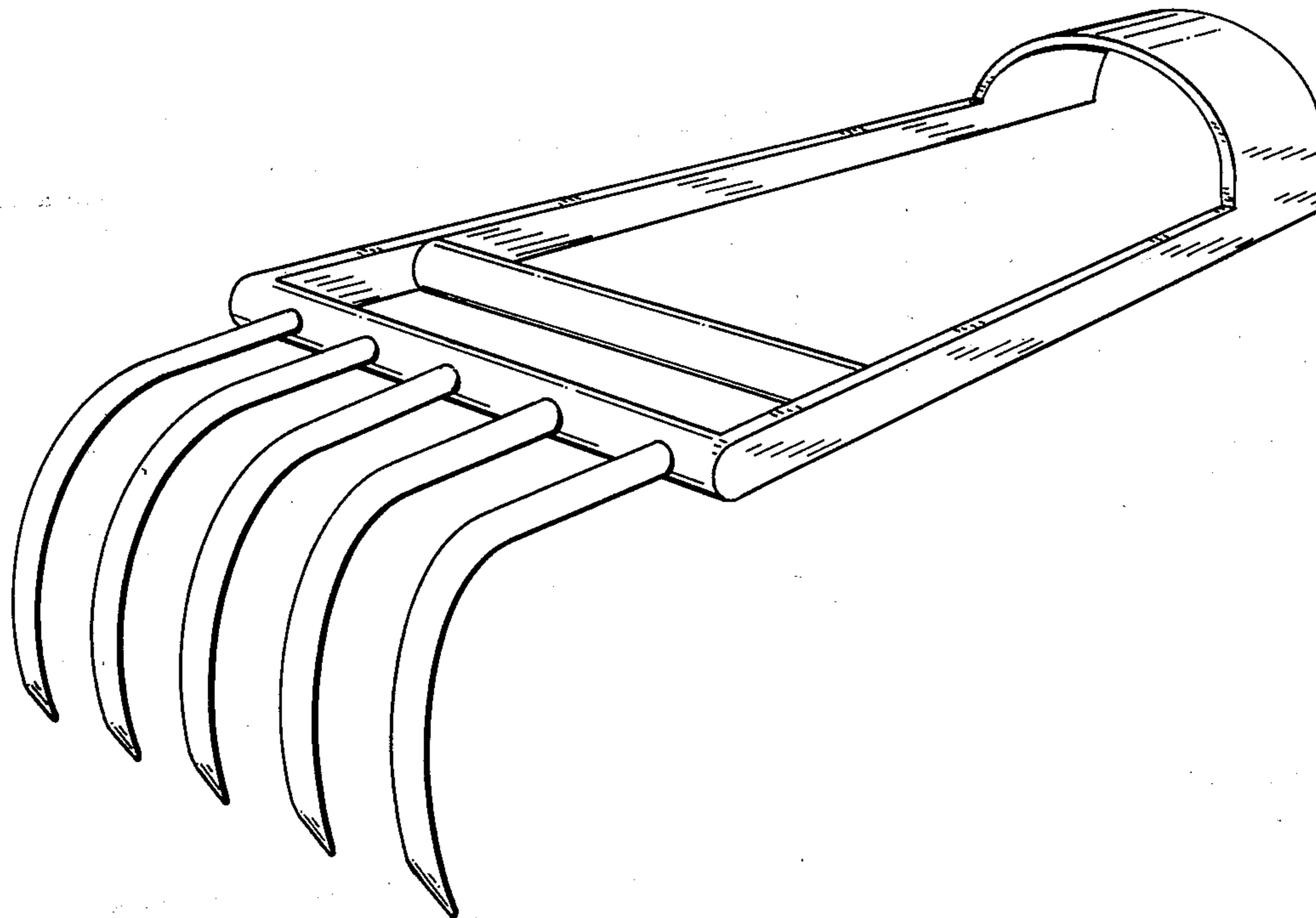
DESCRIPTION

FIG. 1 is a perspective view of a clam digging tool embodying my new design;
FIG. 2 is a bottom plan view thereof;
FIG. 3 is a side elevational view taken from the rear of FIG. 1.

[56] **References Cited**

U.S. PATENT DOCUMENTS

D. 198,860 8/1964 Fedorka D8/13
D. 230,392 2/1974 Rousseau D8/6



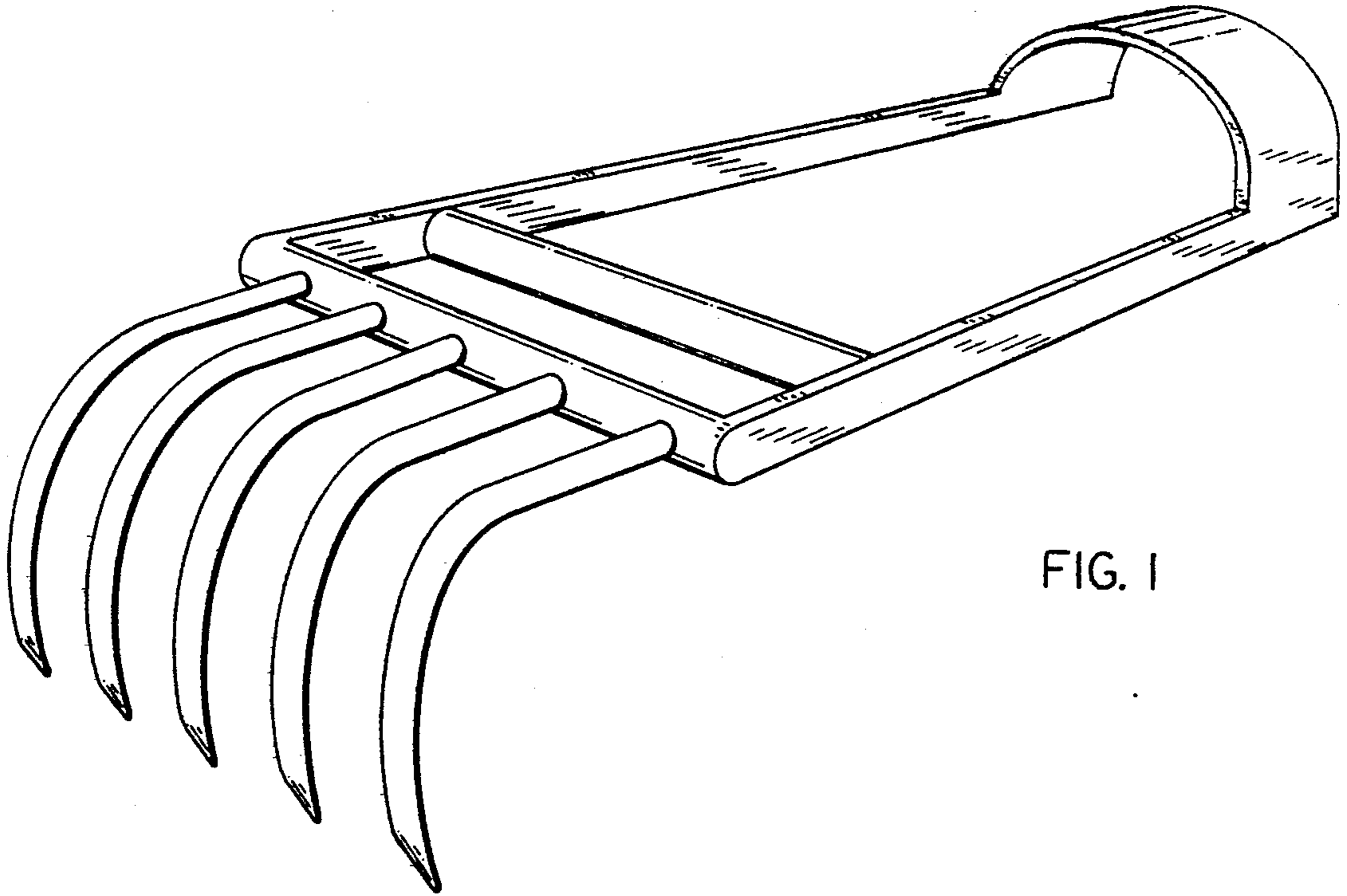


FIG. 1

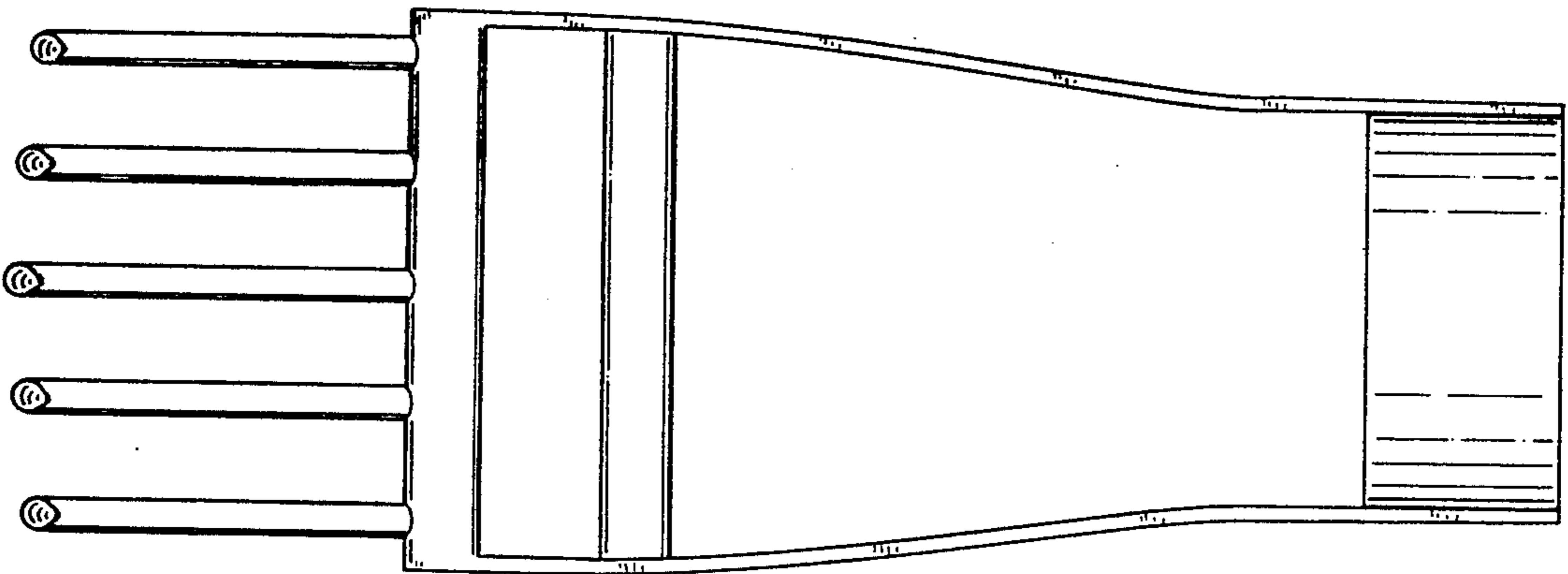


FIG. 2

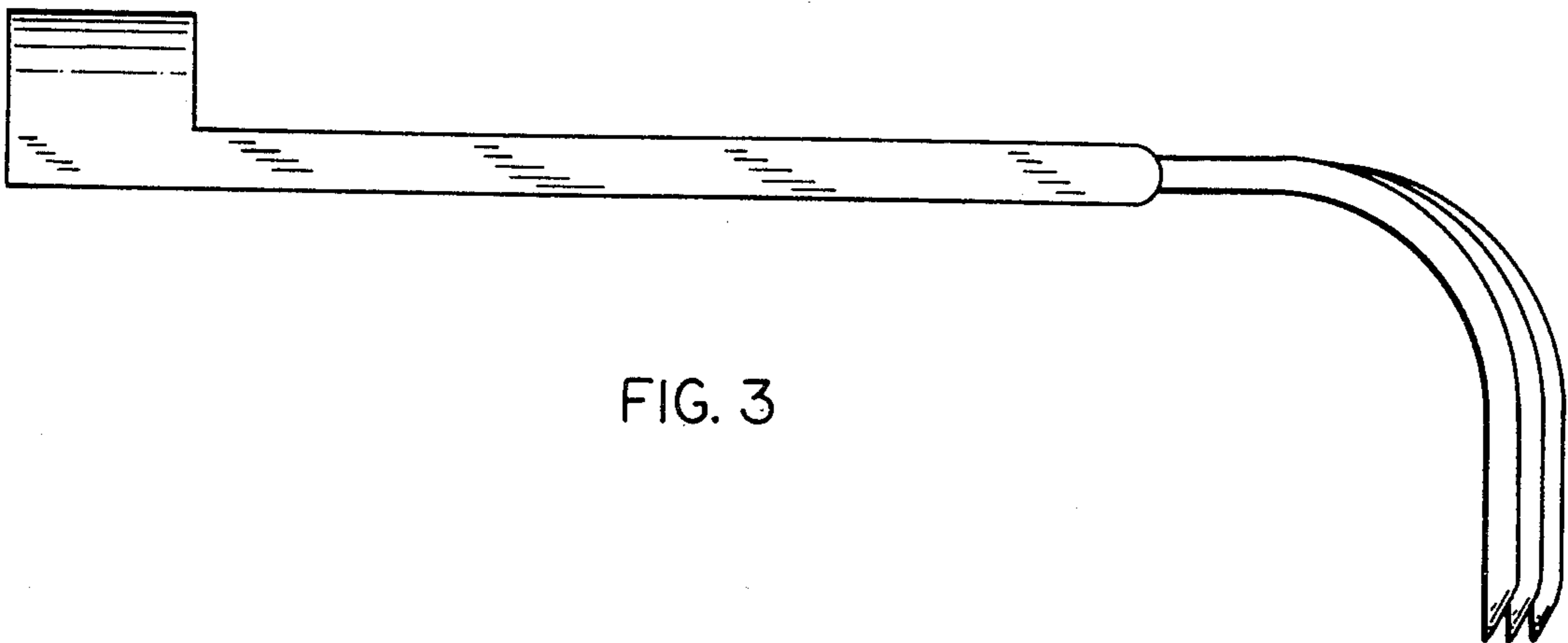


FIG. 3