

United States Patent [19]

Murai

[11] Patent Number: **Des. 281,848**

[45] Date of Patent: **** Dec. 24, 1985**

- [54] CUP
- [75] Inventor: **Toschio Murai, Tajimi, Japan**
- [73] Assignee: **American Commercial Incorporated, Secaucus, N.J.**
- [**] Term: **14 Years**
- [21] Appl. No.: **518,208**
- [22] Filed: **Jul. 28, 1983**
- [52] U.S. Cl. **D7/9**
- [58] Field of Search **D7/9, 10, 3**

[56] **References Cited**

U.S. PATENT DOCUMENTS

- D. 36,550 9/1903 Haley D7/9
- D. 47,342 5/1915 Sebring D7/9
- D. 68,688 11/1925 Anderson D7/9
- D. 75,525 6/1928 Sebring D7/9

- D. 167,741 9/1952 Cowan D7/9
- D. 210,144 2/1968 Allen et al. D7/9
- D. 230,685 3/1974 Higginson D7/9
- D. 266,723 11/1982 Blake D7/9

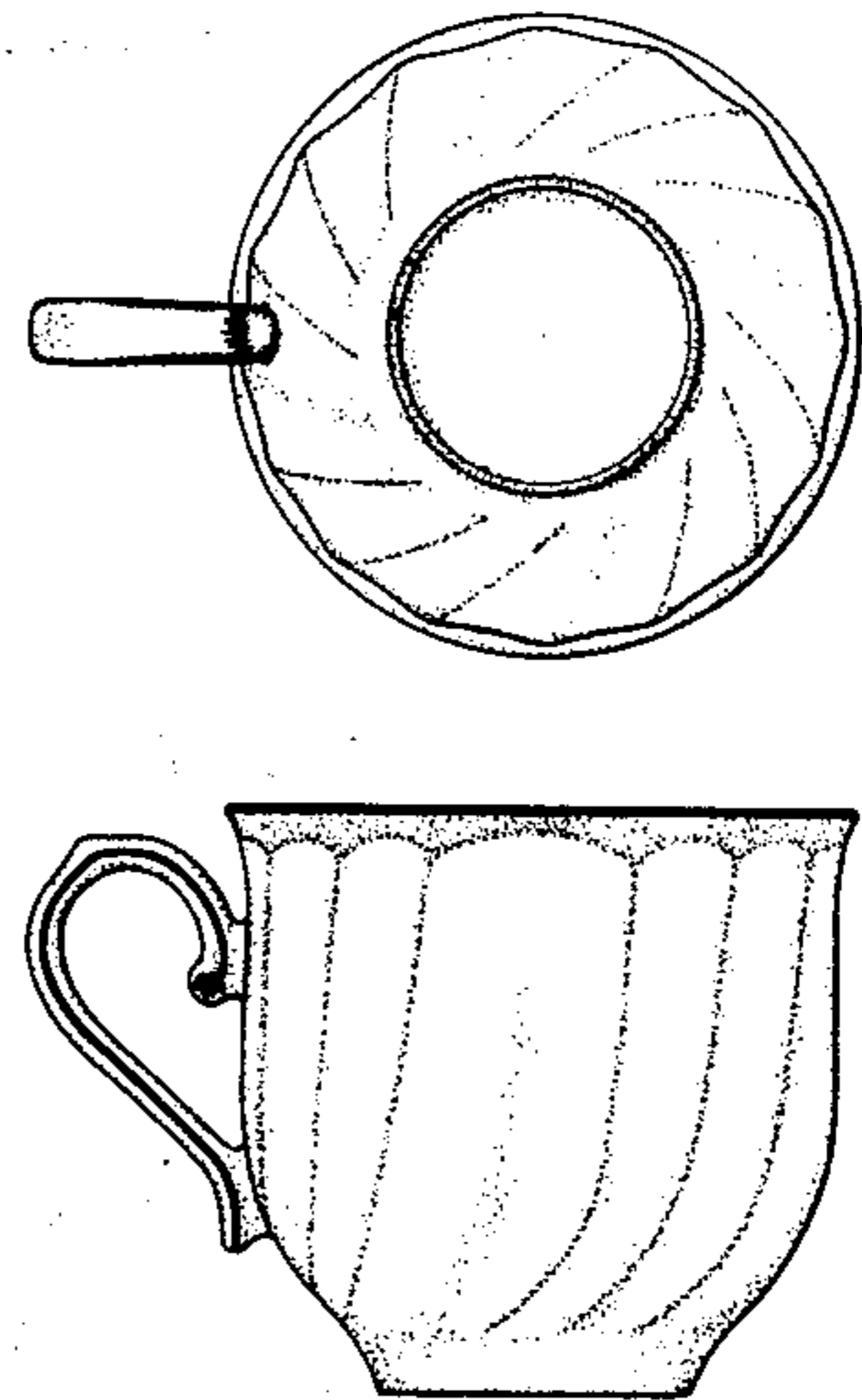
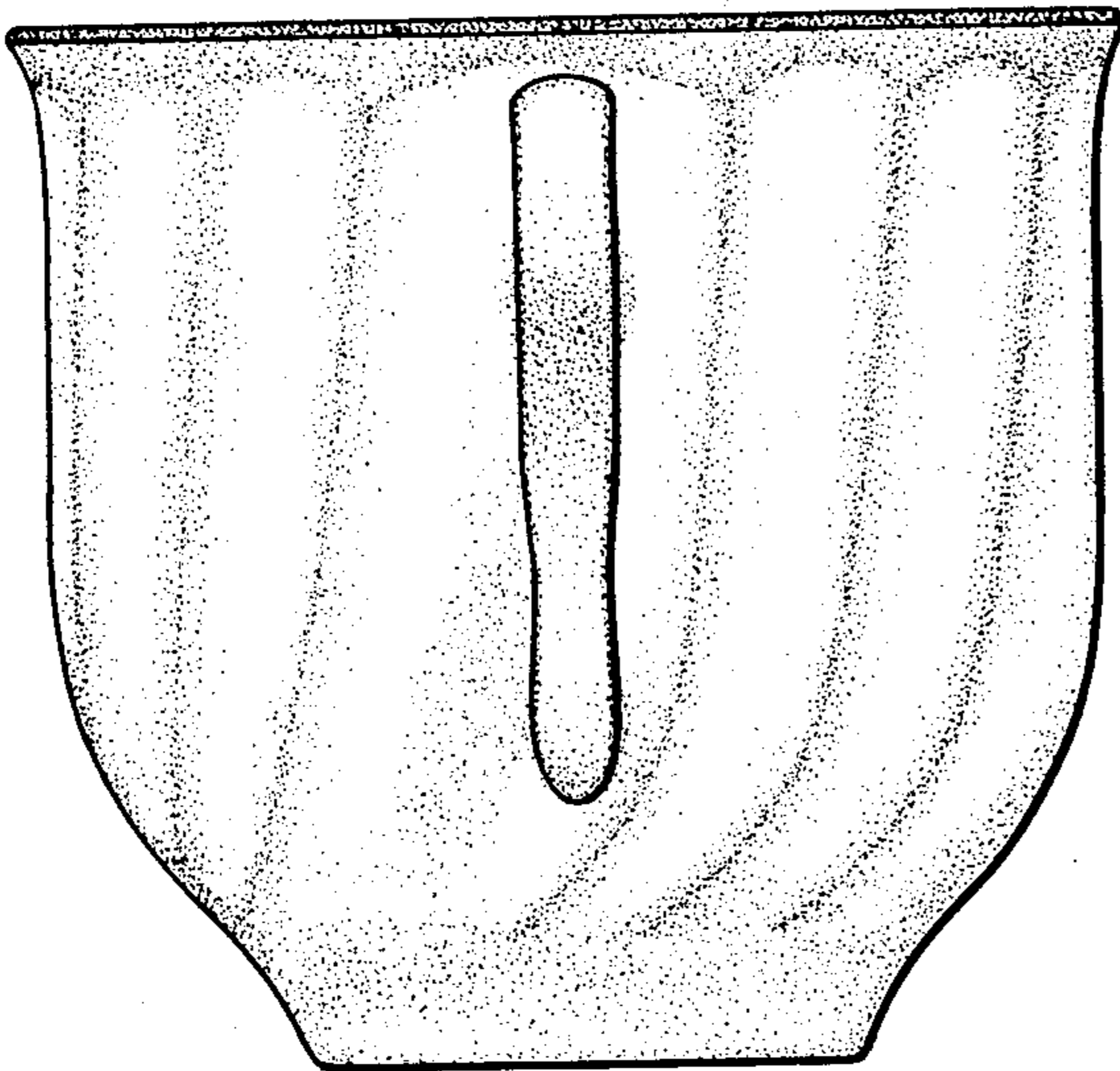
Primary Examiner—Winifred E. Herrmann
Attorney, Agent, or Firm—George J. Brandt, Jr.

[57] **CLAIM**

The ornamental design for a cup, as shown, and described.

DESCRIPTION

FIG. 1 is a top plan view of a cup showing my new design;
FIG. 2 is a bottom plan view thereof;
FIG. 3 is a right side elevational view of the cup shown in FIG. 1;
FIG. 4 is a left side elevational view thereof;
FIG. 5 is a front elevational view thereof; and
FIG. 6 is a rear elevational view thereof.



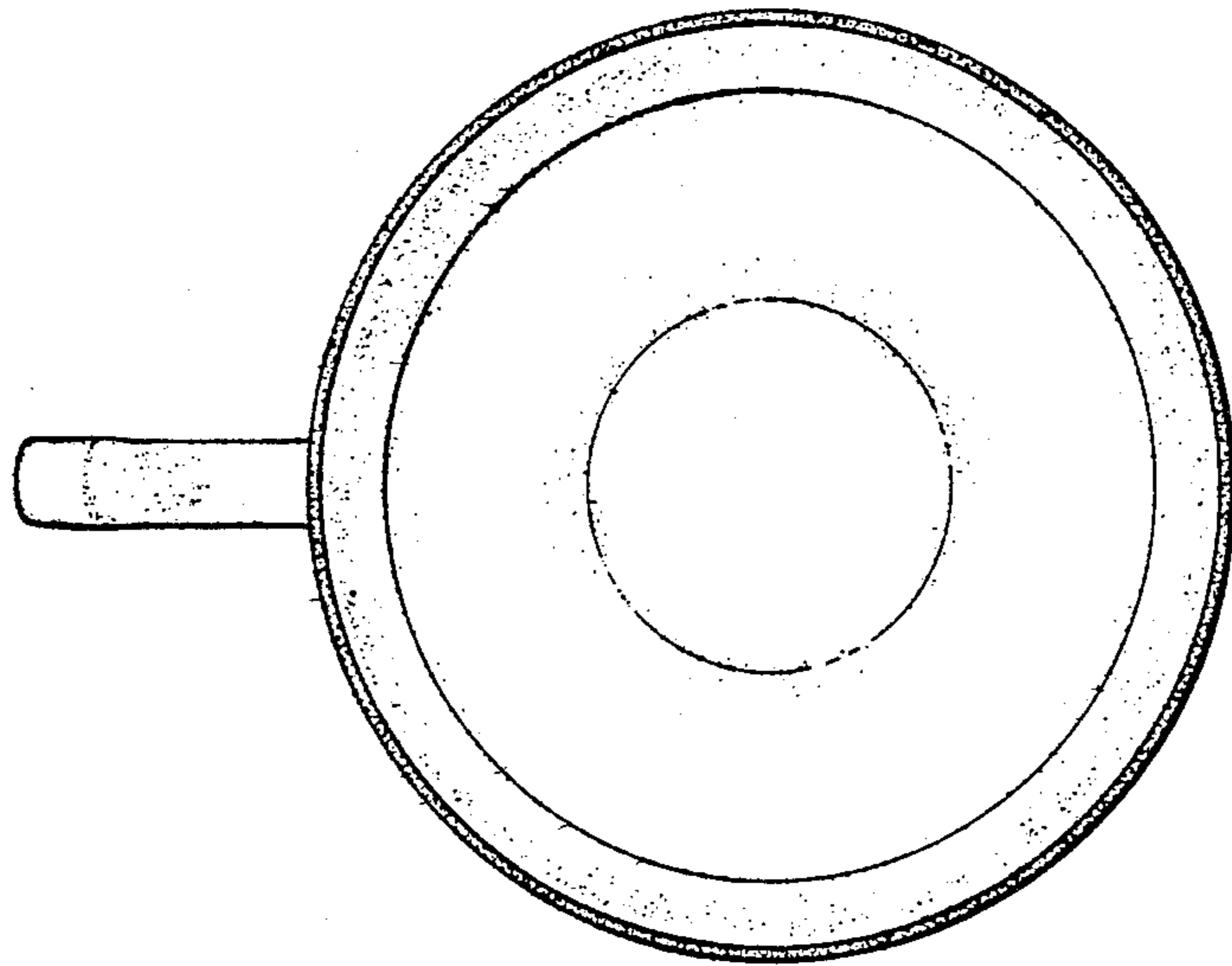


FIG. 1

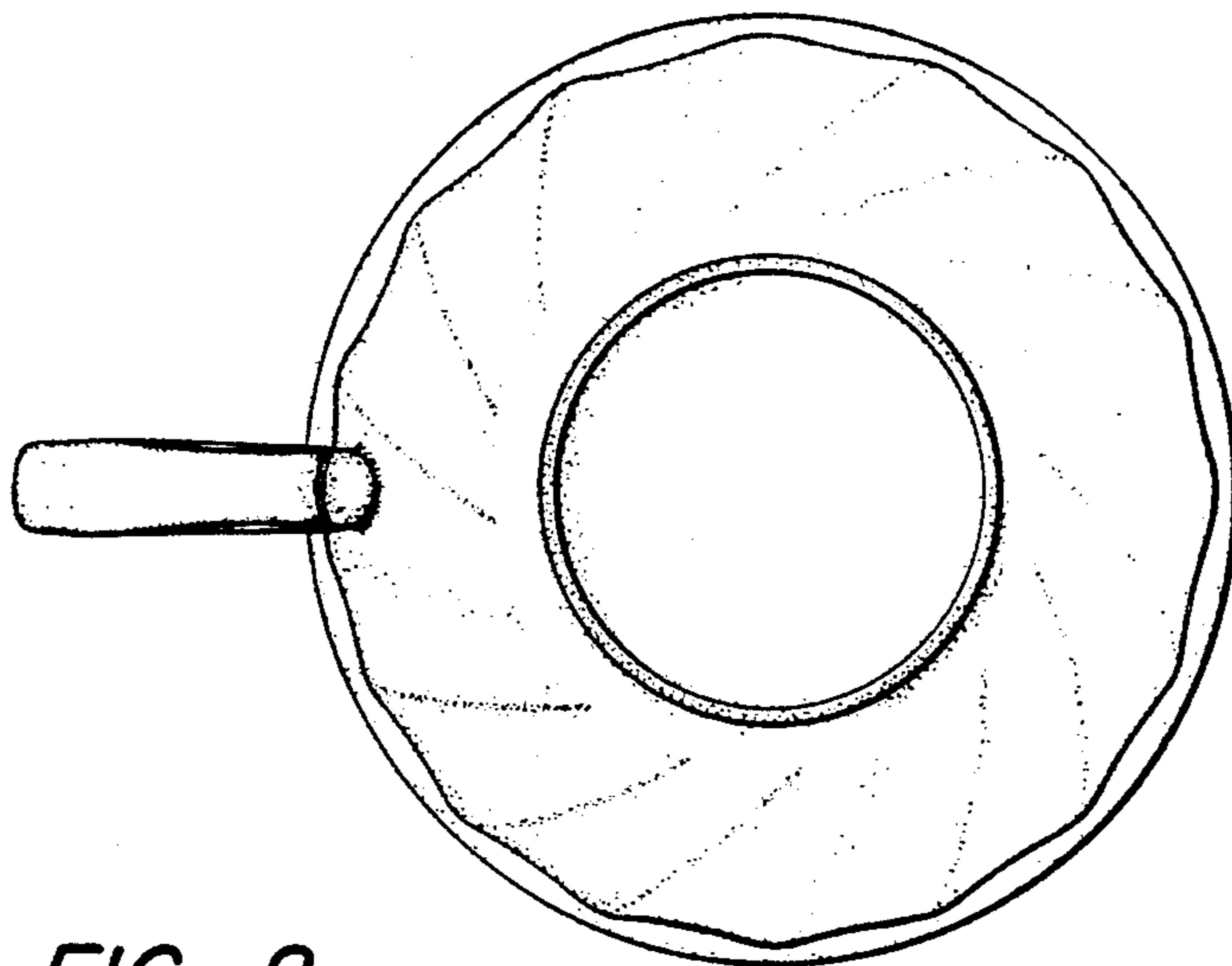


FIG. 2

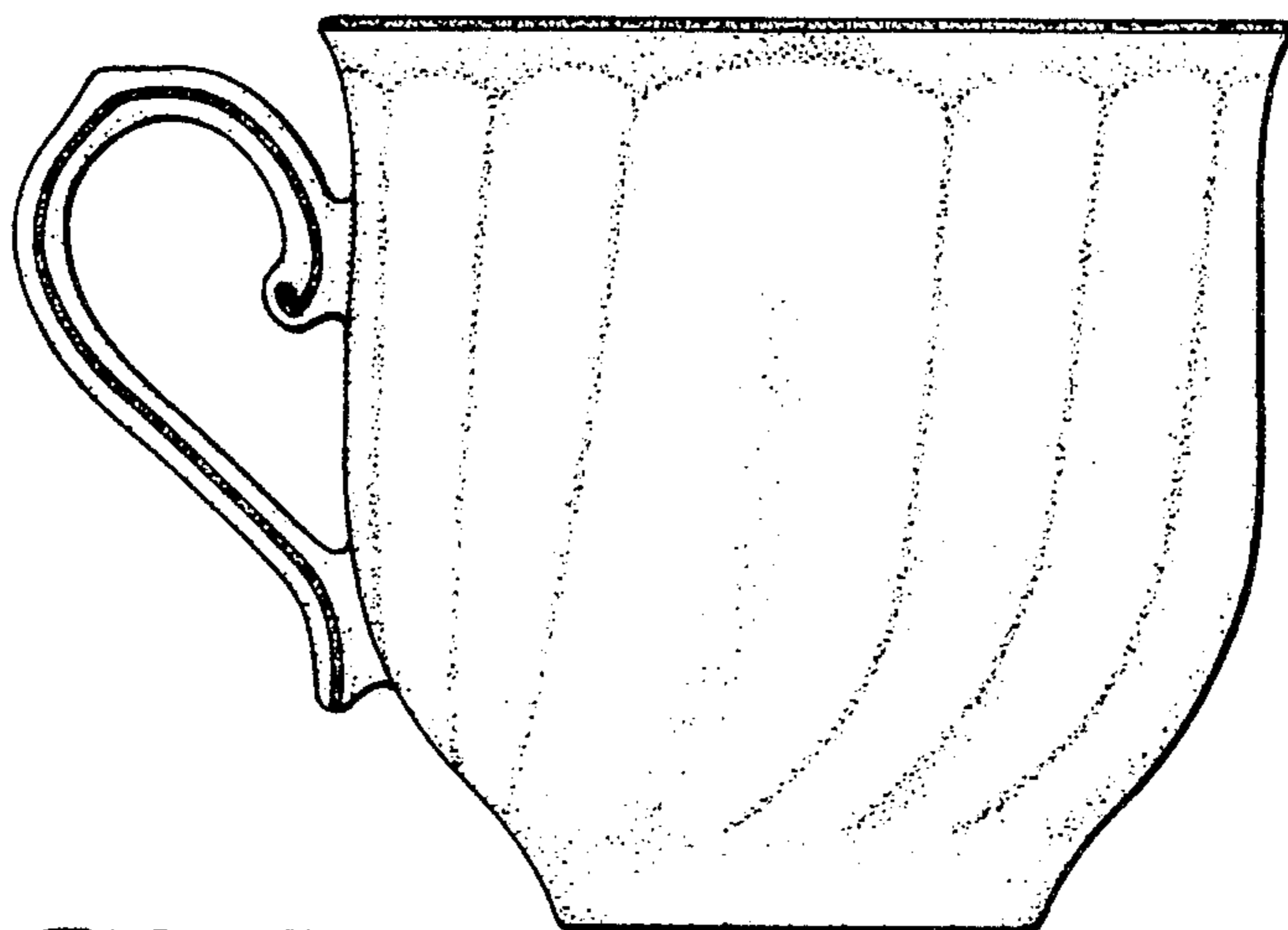


FIG. 3

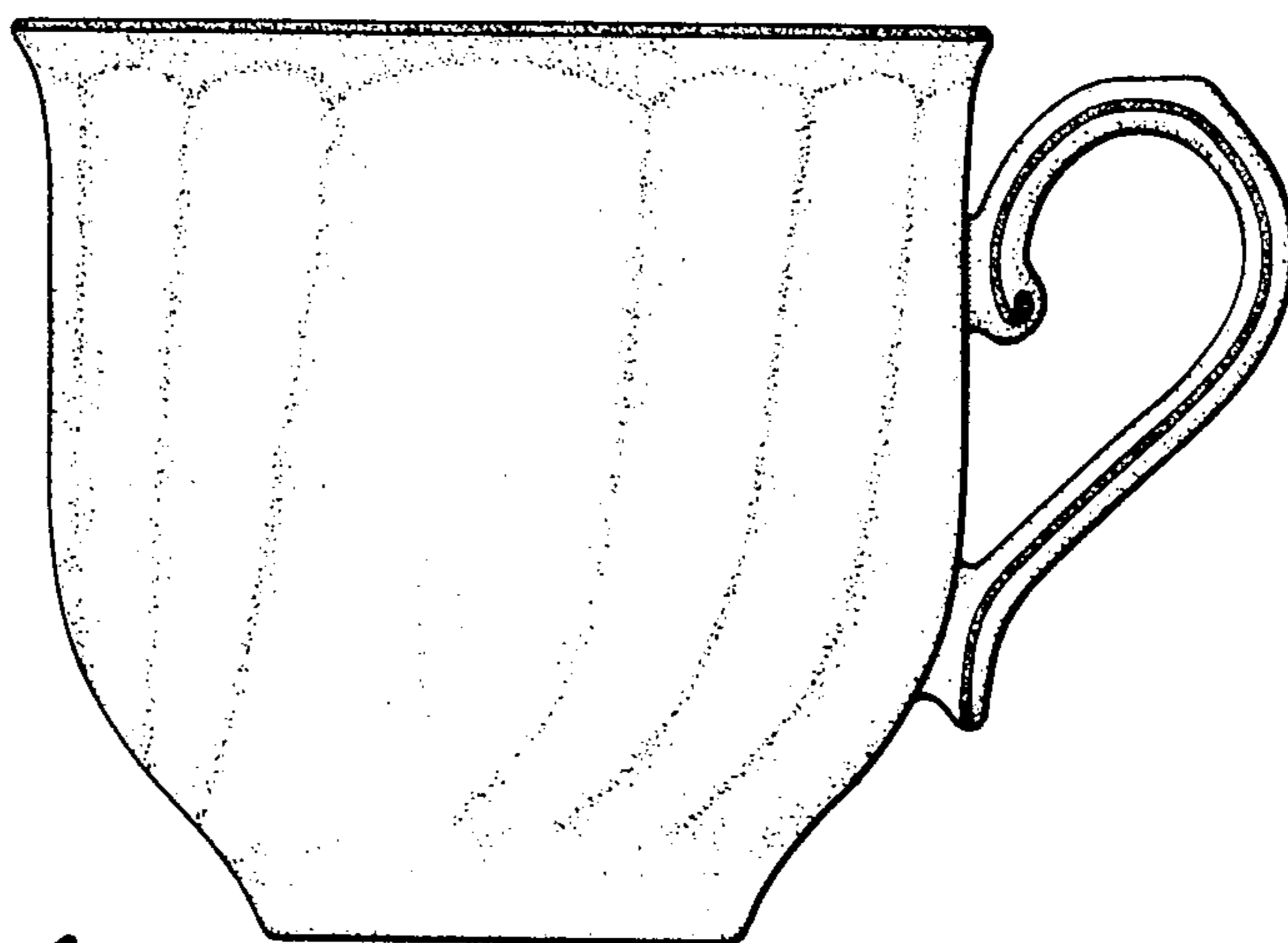


FIG. 4

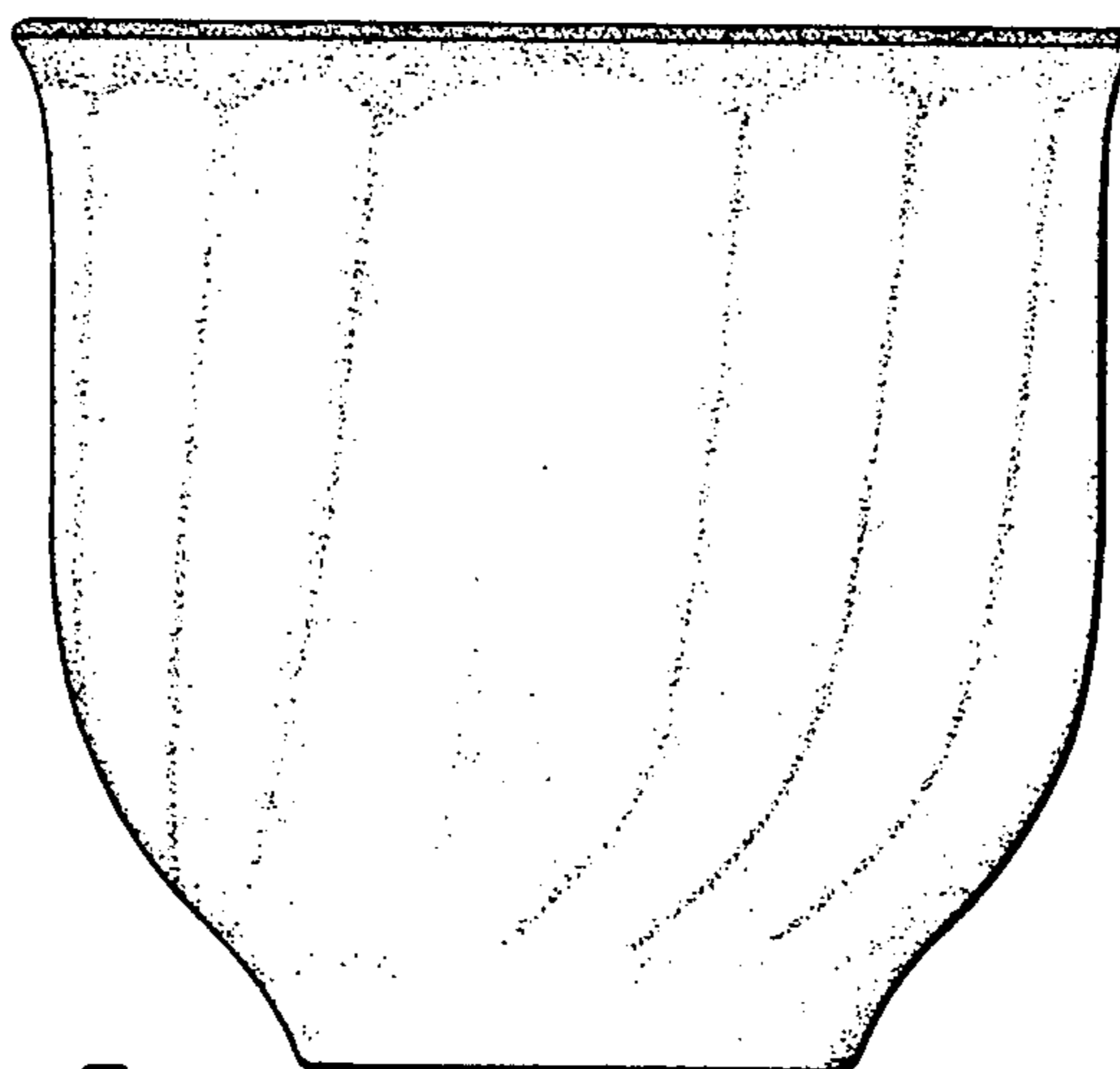


FIG. 5

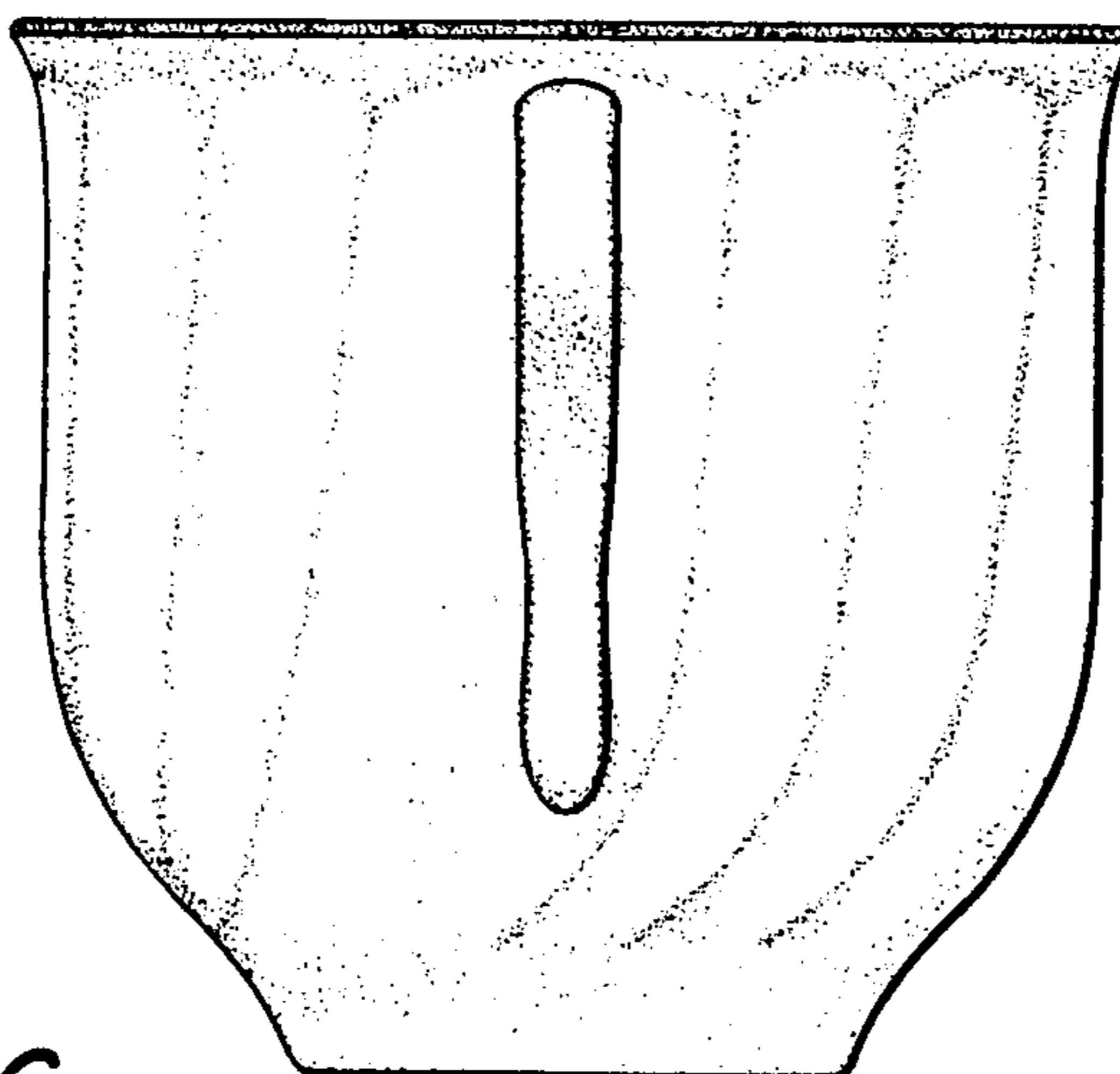


FIG. 6