

[54] TOWEL RACK

[75] Inventor: Harold A. Smith, Emmaus, Pa.

[73] Assignee: Knoll International, Inc., New York, N.Y.

[**] Term: 14 Years

[21] Appl. No.: 492,449

[22] Filed: May 6, 1983

[52] U.S. Cl. D6/522; D6/518; D6/566

[58] Field of Search D6/407, 410, 411, 412, D6/449, 458, 460, 462, 464, 475, 510, 518, 513, 514, 512, 526, 531, 535, 546, 548, 549, 550, 552-553, 554, 563, 566-572; 221/33, 45, 282; 211/13, 55, 70.5, 86, 87, 106, 181

[56] References Cited

U.S. PATENT DOCUMENTS

| | | | |
|------------|---------|---------------|--------|
| D. 115,098 | 6/1939 | Broeren | D6/518 |
| D. 162,123 | 2/1951 | Broeren | D6/518 |
| D. 180,622 | 7/1957 | Schwarz | D6/518 |
| D. 194,528 | 2/1963 | Arnett | D6/548 |
| D. 206,022 | 10/1966 | Knowles | D6/518 |
| 2,033,582 | 3/1936 | Gaterno | 221/45 |
| 2,849,153 | 8/1958 | Tuttle | 221/45 |
| 3,982,685 | 9/1976 | Shimada | 221/45 |

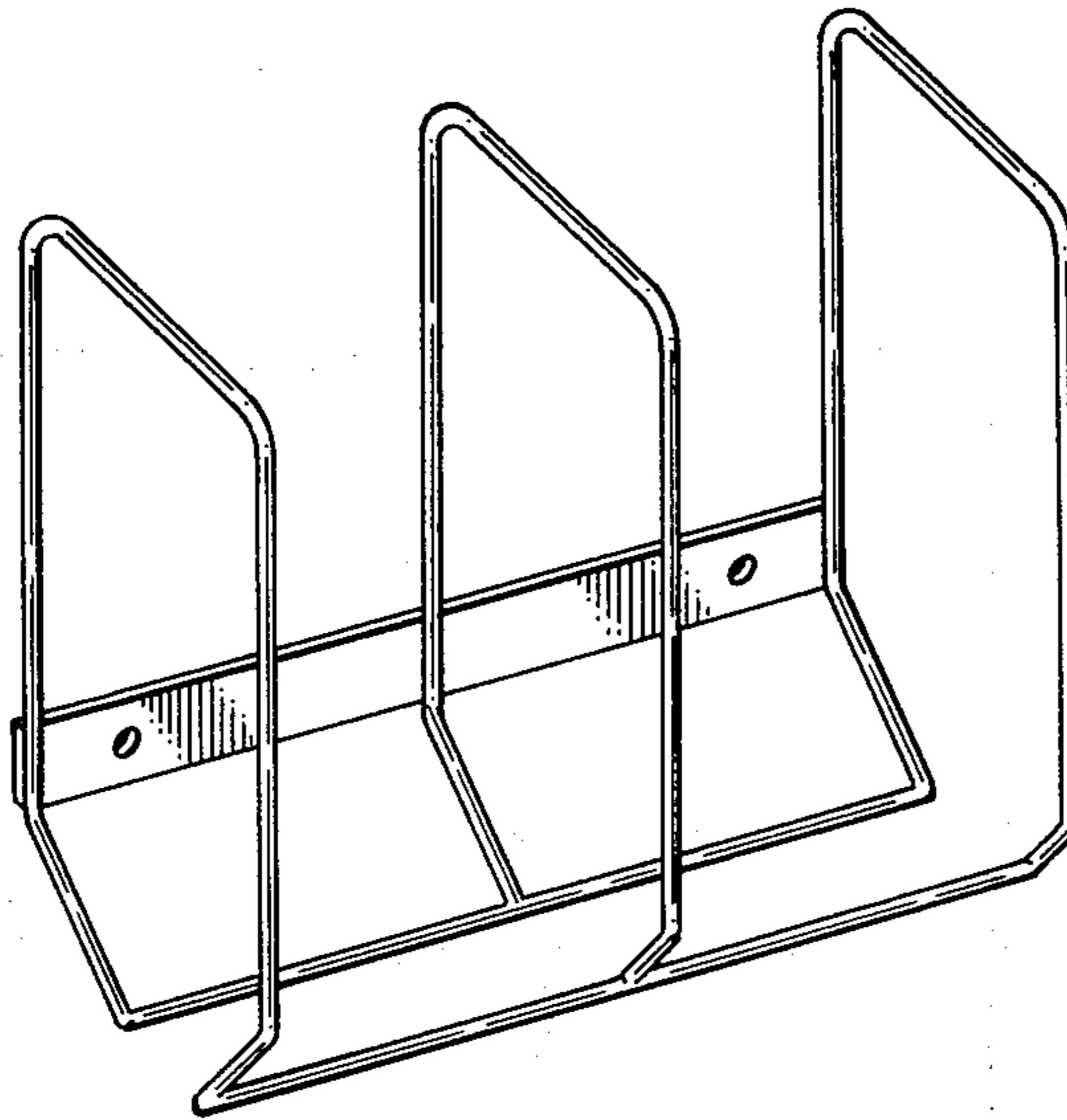
Primary Examiner—B. J. Bullock
Assistant Examiner—Suzanne N. Gitlin
Attorney, Agent, or Firm—Robert Scobey

[57] CLAIM

The ornamental design for towel rack, as shown.

DESCRIPTION

FIG. 1 is a reduced perspective view of a towel rack showing my new design;
FIG. 2 is a top plan view thereof;
FIG. 3 is a front elevational view thereof;
FIG. 4 is a side elevational view thereof.



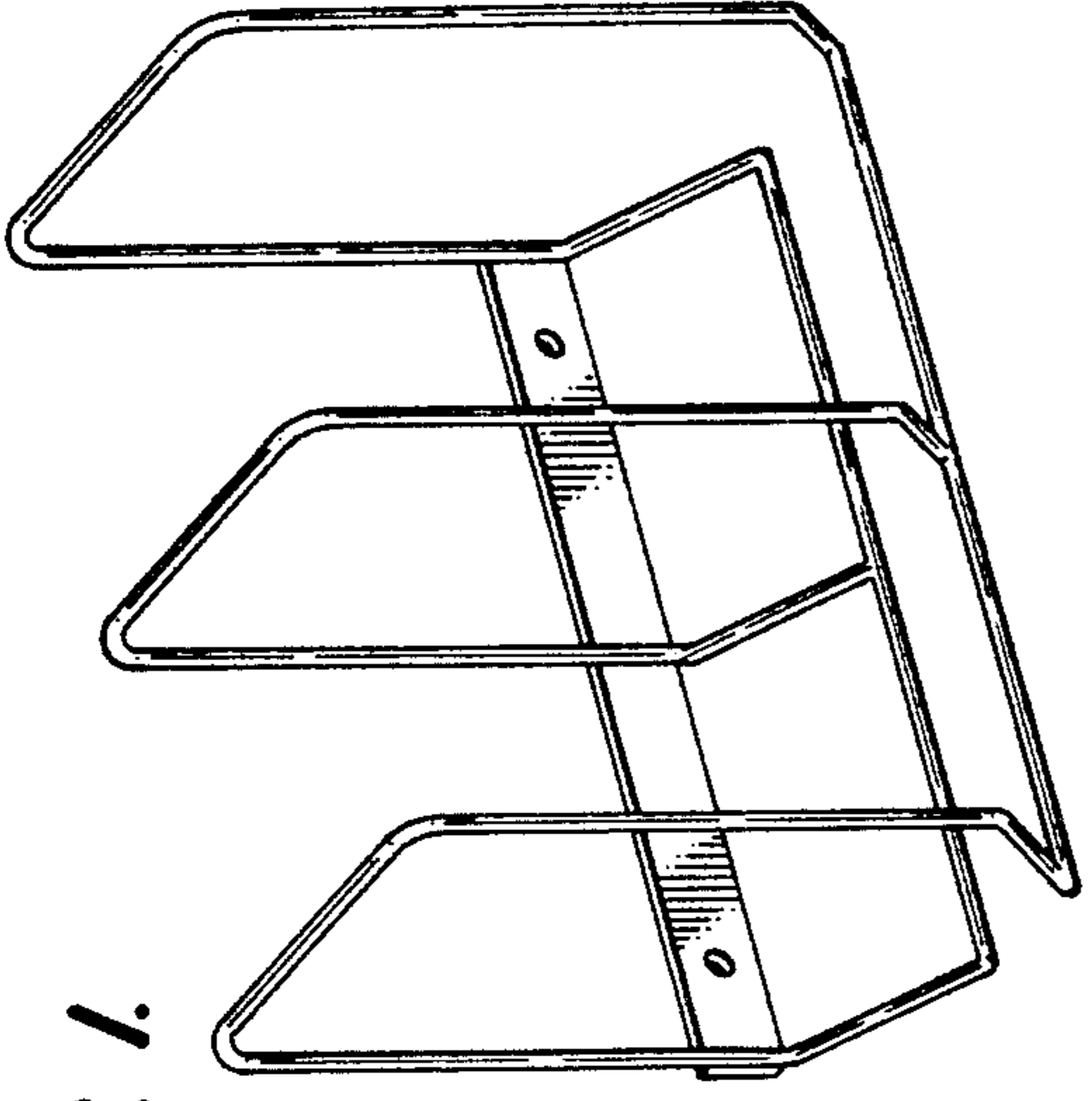


FIG. 1.

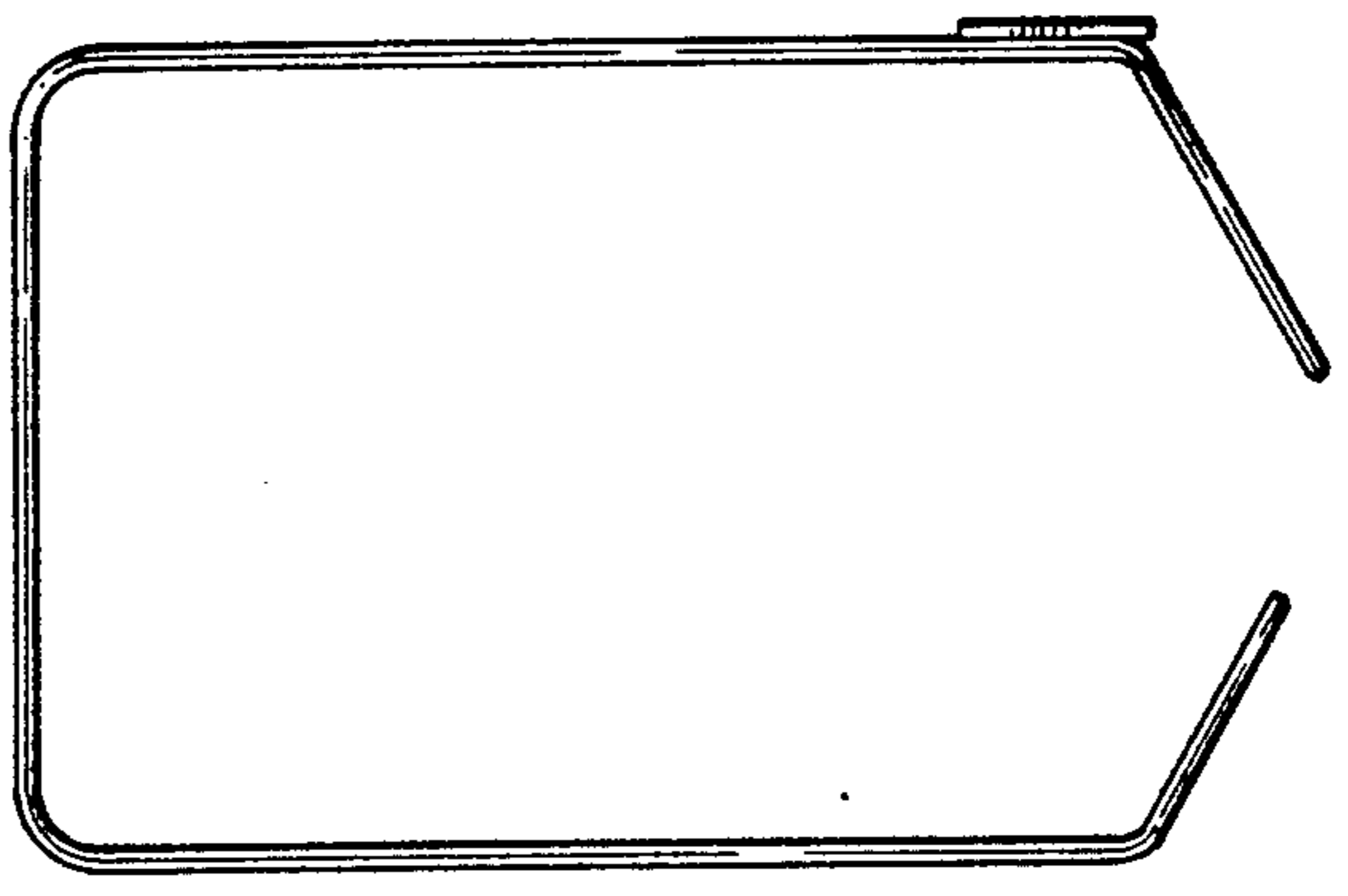


FIG. 4.

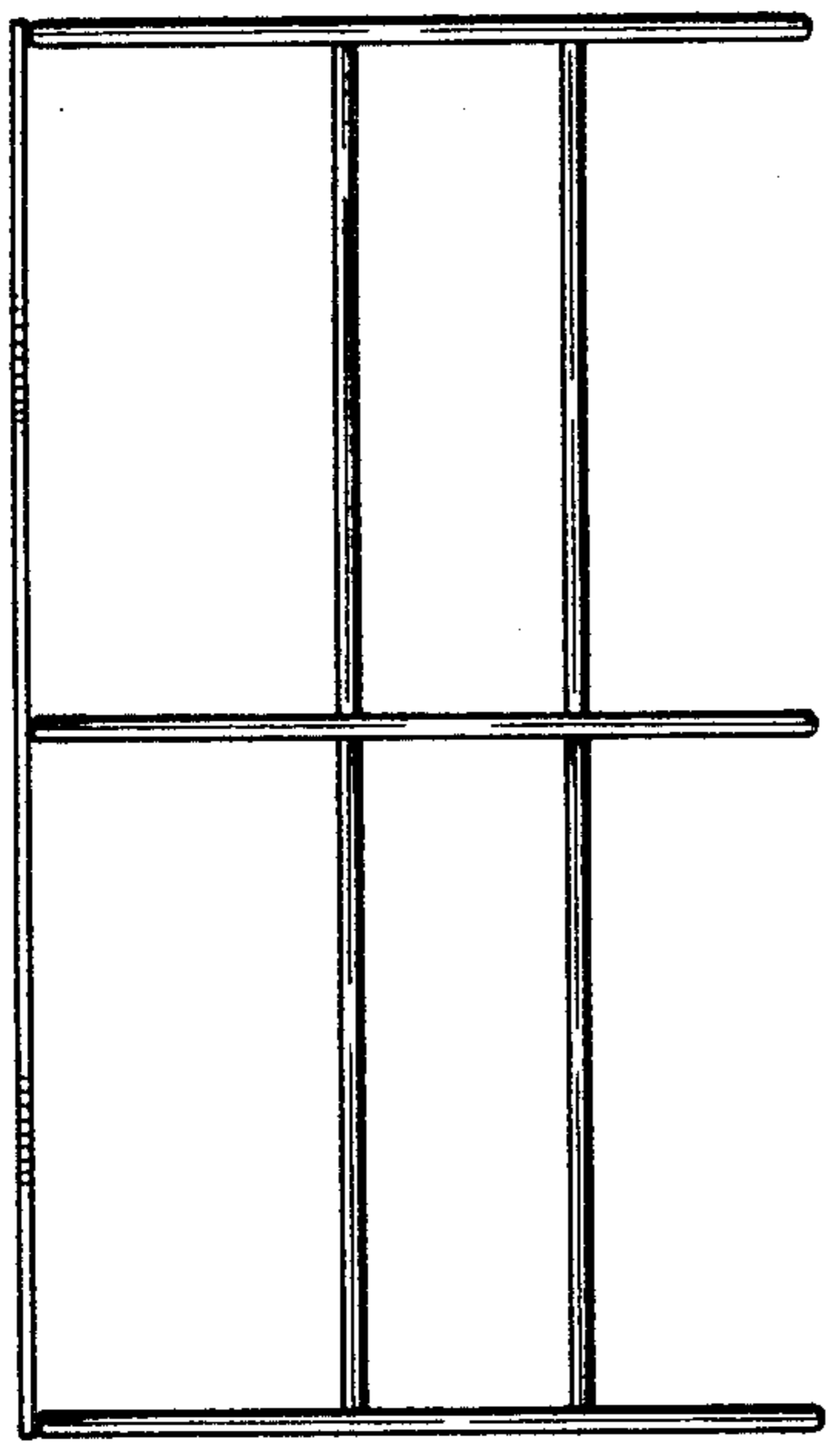


FIG. 2.

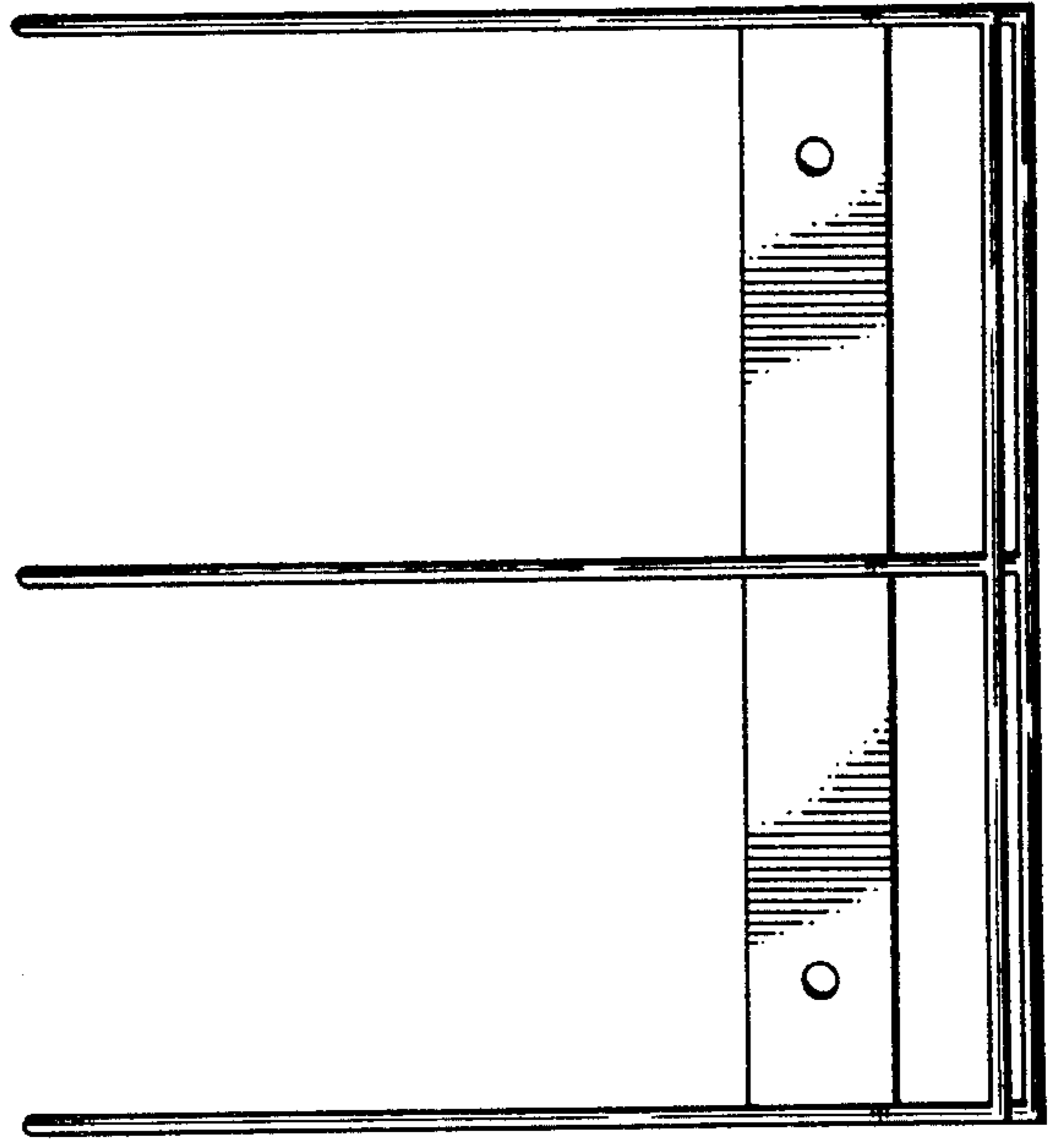


FIG. 3.