

[54] COUNTERTOP SHOWCASE

[76] Inventor: William D. Waldeck, 801 18th St., Parkersburg, W. Va. 26101

[**] Term: 14 Years

[21] Appl. No.: 432,696

[22] Filed: Dec. 15, 1982

[52] U.S. Cl. D6/472

[58] Field of Search D6/432, 436, 396, 441, D6/443, 449, 470, 471, 472, 473, 474, 467, 468; 312/114, 116, 117, 126

[56] References Cited

U.S. PATENT DOCUMENTS

- D. 63,369 11/1923 Katzman D6/472 X
- D. 93,636 10/1934 Sawin et al. D6/467
- D. 112,149 11/1938 Kleinwachter D6/436

- D. 119,285 3/1940 Siersma D6/468
- D. 149,966 6/1948 Newman D6/472 X
- 392,125 10/1888 King 312/114
- 557,974 4/1896 Conlin et al. D6/472 X
- 629,672 7/1899 Fadum D6/471 X
- 2,123,394 7/1938 Anderson 312/114 X

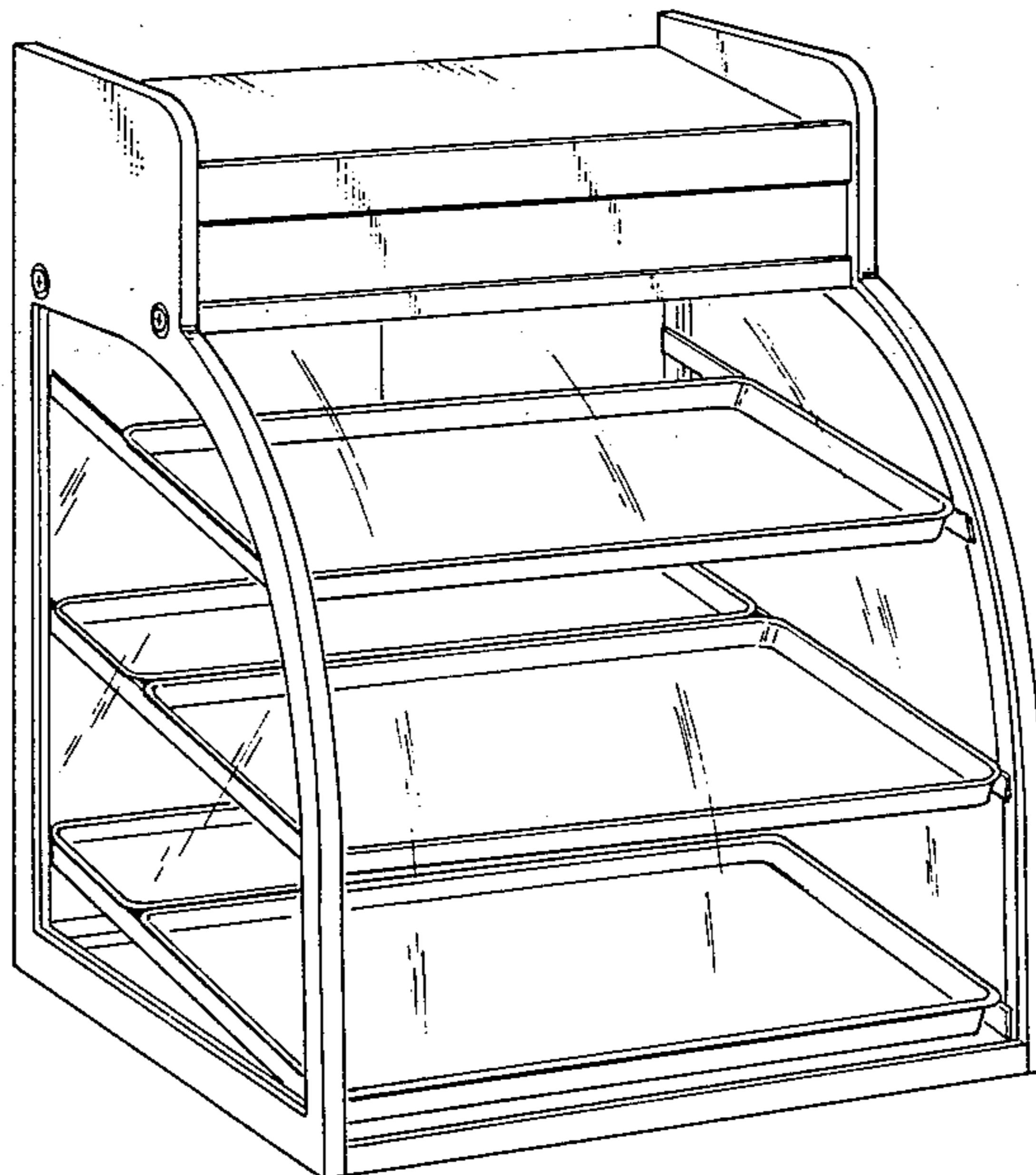
Primary Examiner—Carmen H. Vales
Attorney, Agent, or Firm—Frank H. Foster

[57] CLAIM

The ornamental design for a countertop showcase, as shown and described.

DESCRIPTION

FIG. 1 is a front perspective view of a countertop showcase showing my new design; FIG. 2 is a rear perspective view thereof; the bottom shelf showing another tray embodiment; and FIG. 3 is a bottom perspective view thereof; the trays have been removed for convenience of illustration.



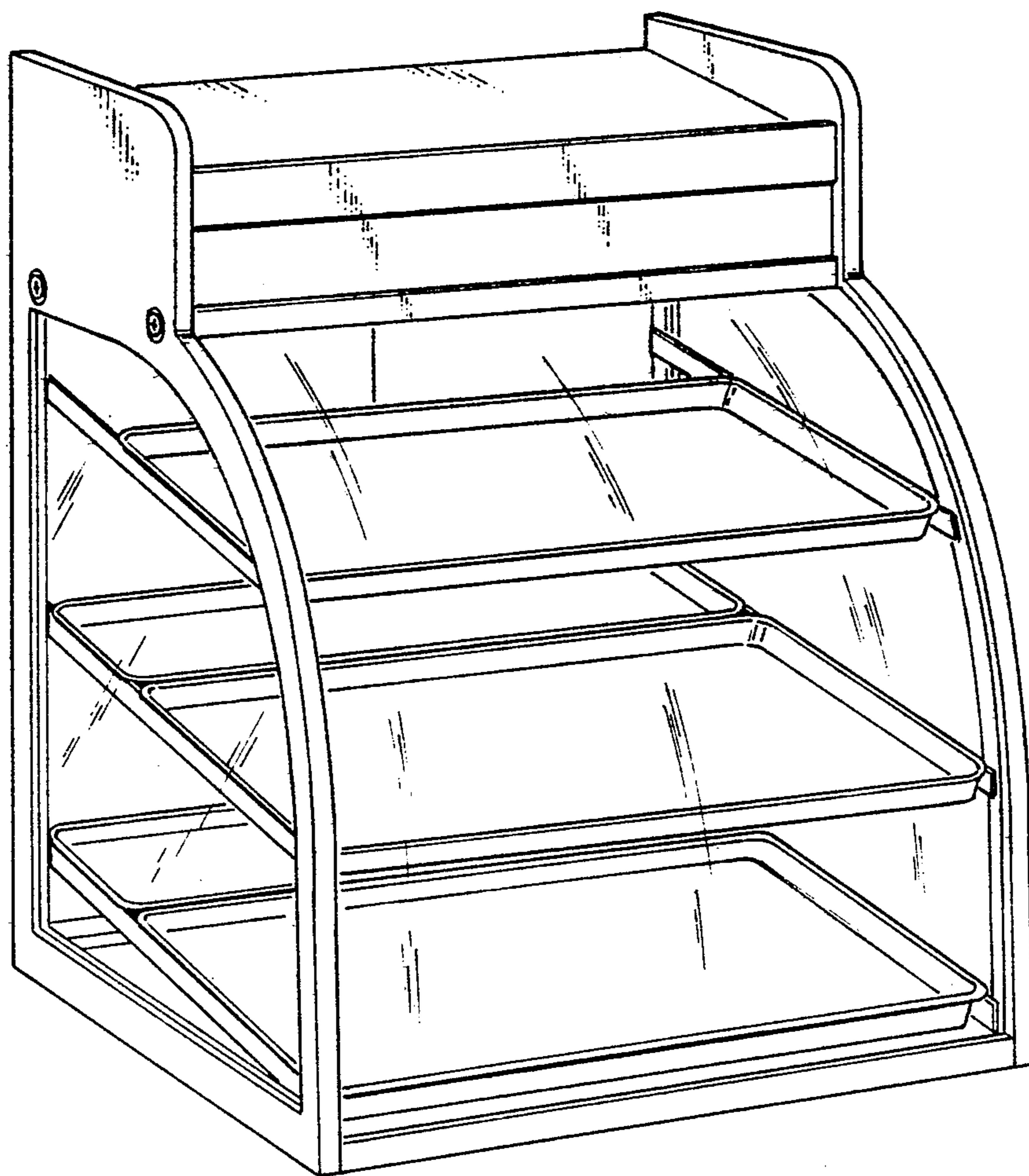


FIG. 1

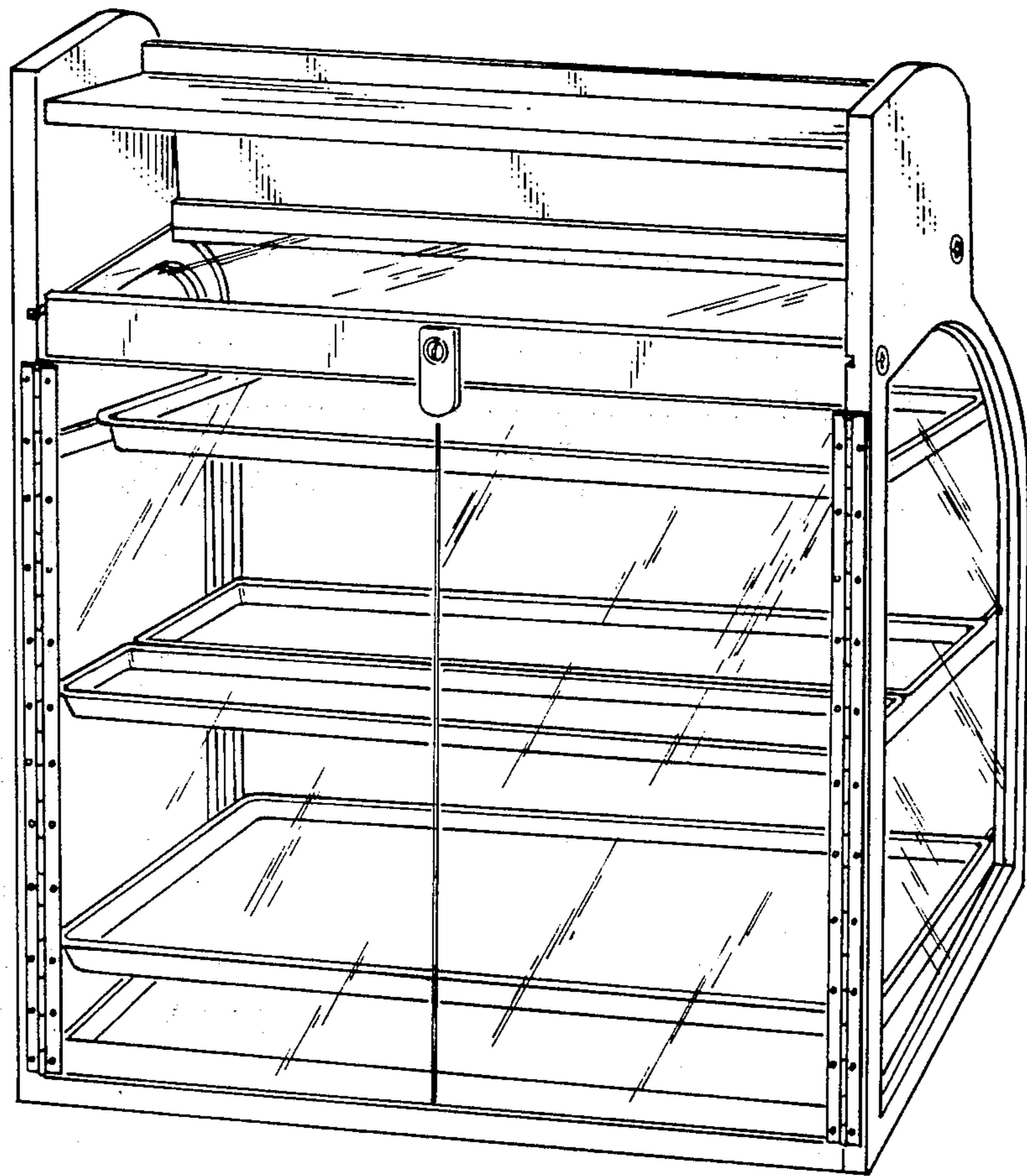


FIG 2

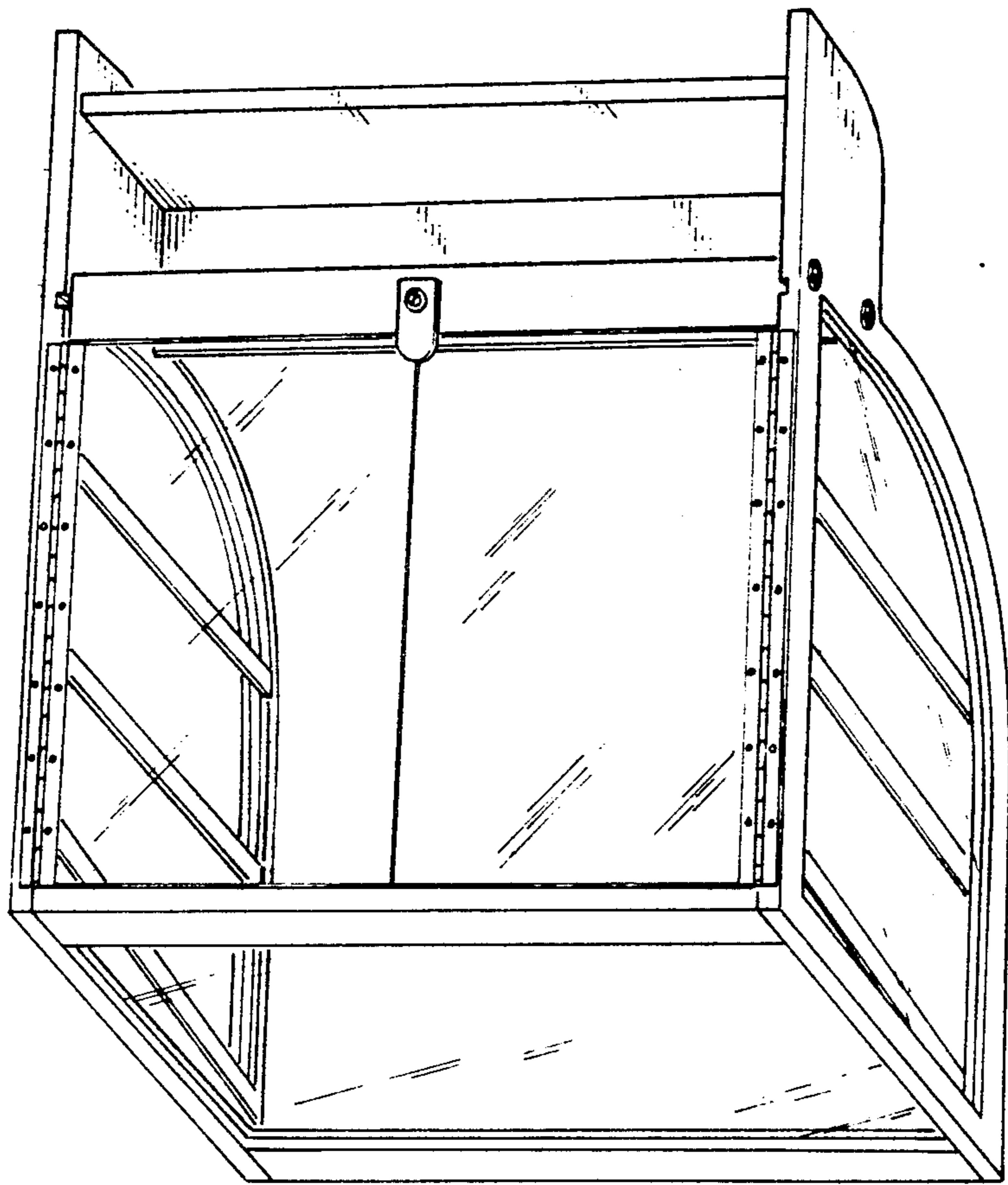


FIG. 3