

[54] **HOOK**

[76] **Inventor: Bruce R. Thompson, 32 Shakespeare Ave., Tranmere, South Australia, Australia**

[\*\*] **Term: 14 Years**

[21] **Appl. No.: 678,382**

[22] **Filed: Dec. 6, 1984**

**Related U.S. Application Data**

[63] Continuation of Ser. No. 446,858, Dec. 3, 1982, abandoned.

[30] **Foreign Application Priority Data**

Oct. 12, 1982 [AU] Australia ..... 1821/82

[52] **U.S. Cl.** ..... **D6/323; D6/524; D6/546; D6/567; D8/367**

[58] **Field of Search** ..... **D6/323, 524, 567, 86, D6/102, 120, 114; 211/87; 248/301, 304, 215; D8/367; 242/55.2, 55.3**

[56] **References Cited**

**U.S. PATENT DOCUMENTS**

D. 241,206	8/1976	Halsted .....	D6/323
D. 263,778	4/1982	Thompson .....	D8/367
1,961,935	6/1934	Knapp .....	248/304
2,529,420	11/1950	Ramquist .....	242/55.2
3,589,634	6/1971	Mason .....	242/55.3

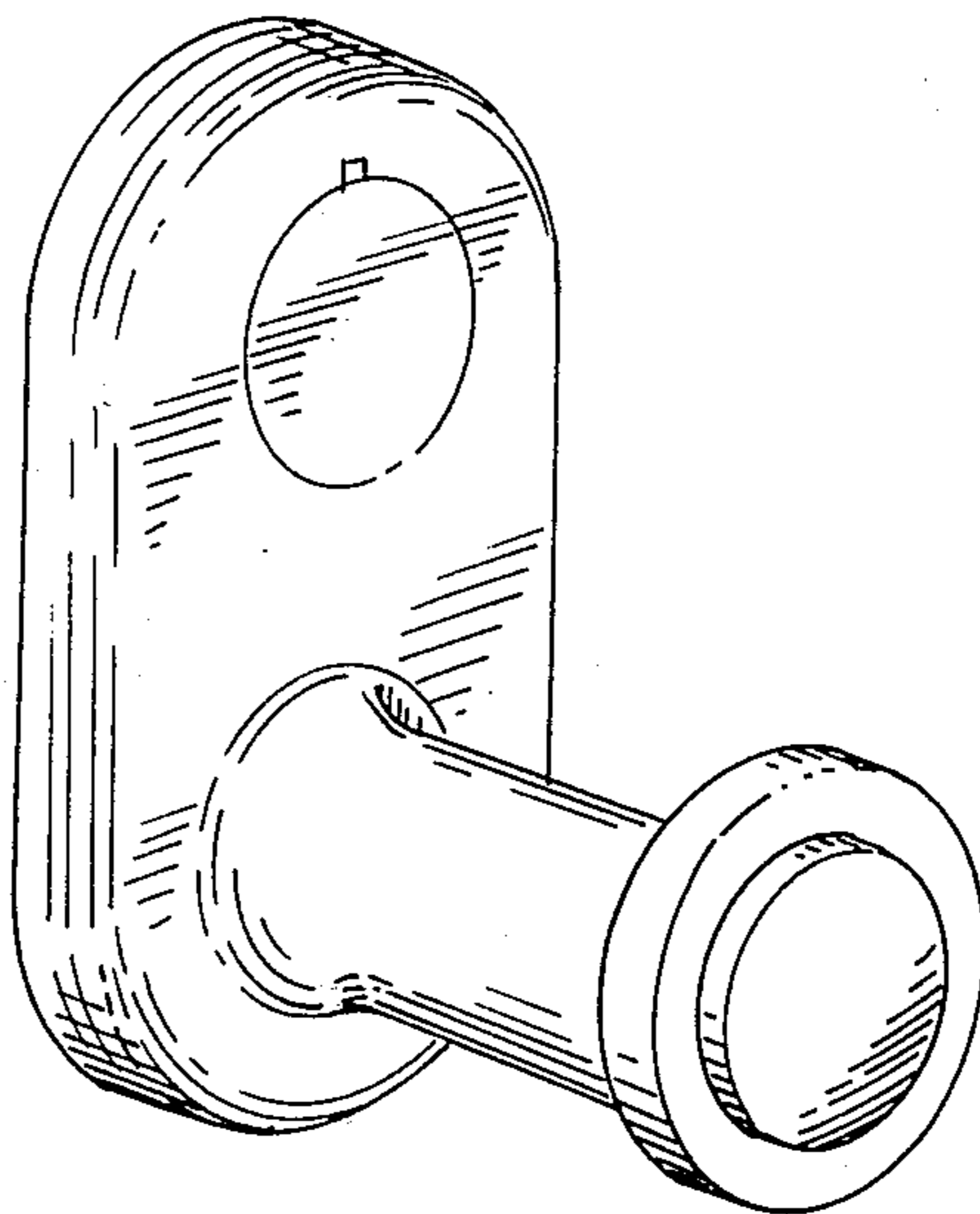
*Primary Examiner*—B. J. Bullock  
*Assistant Examiner*—Suzanne N. Gitlin  
*Attorney, Agent, or Firm*—McDougall, Hersh & Scott

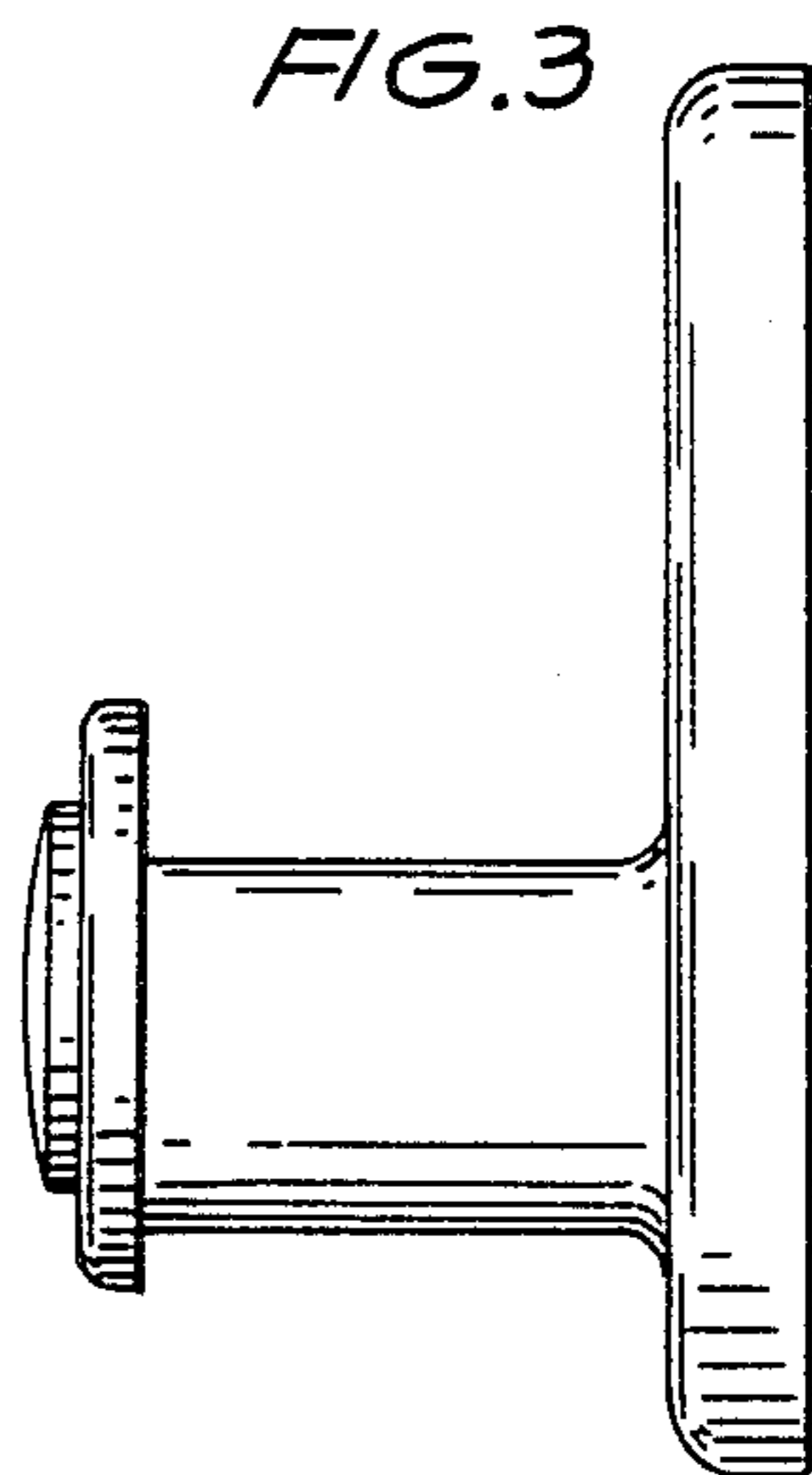
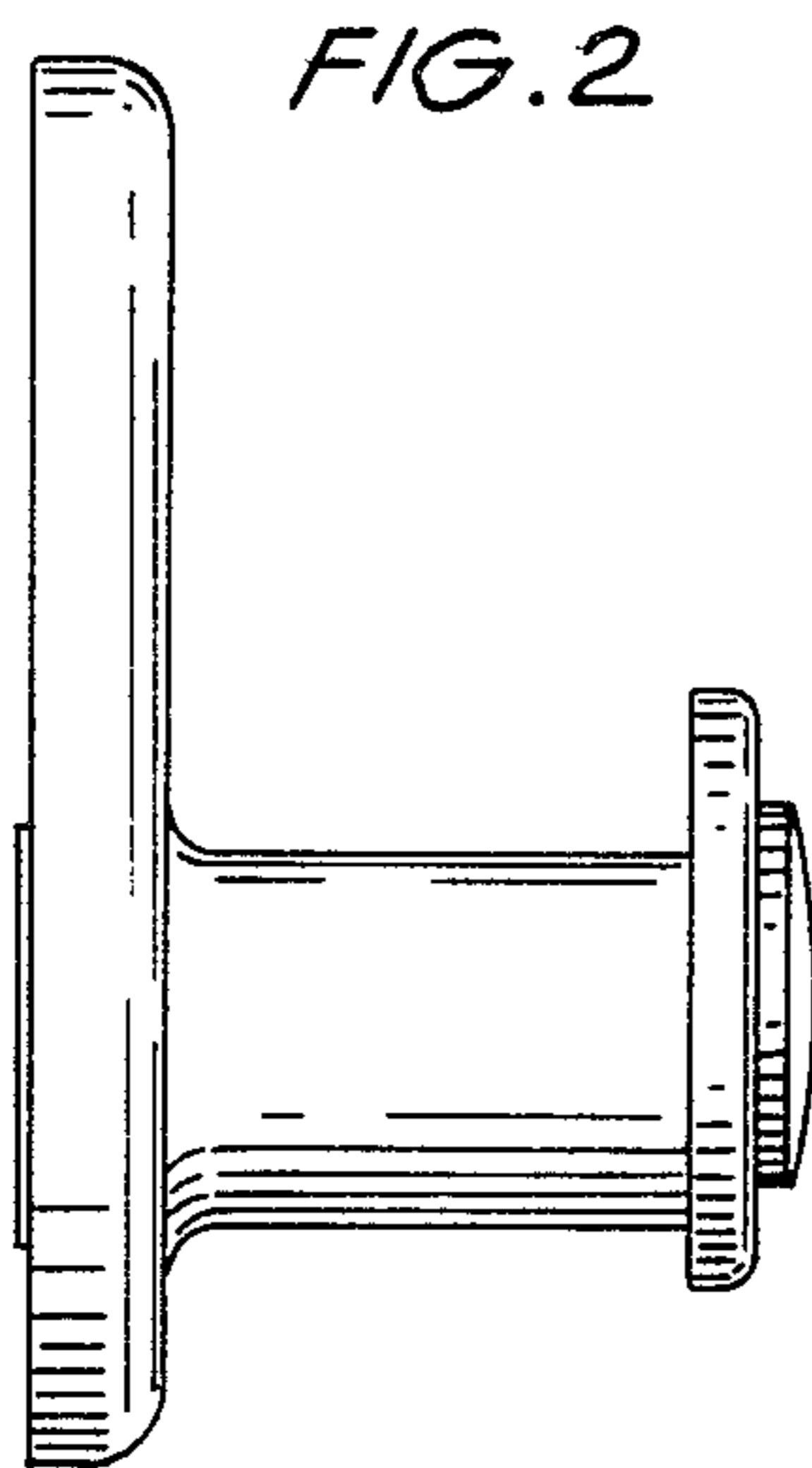
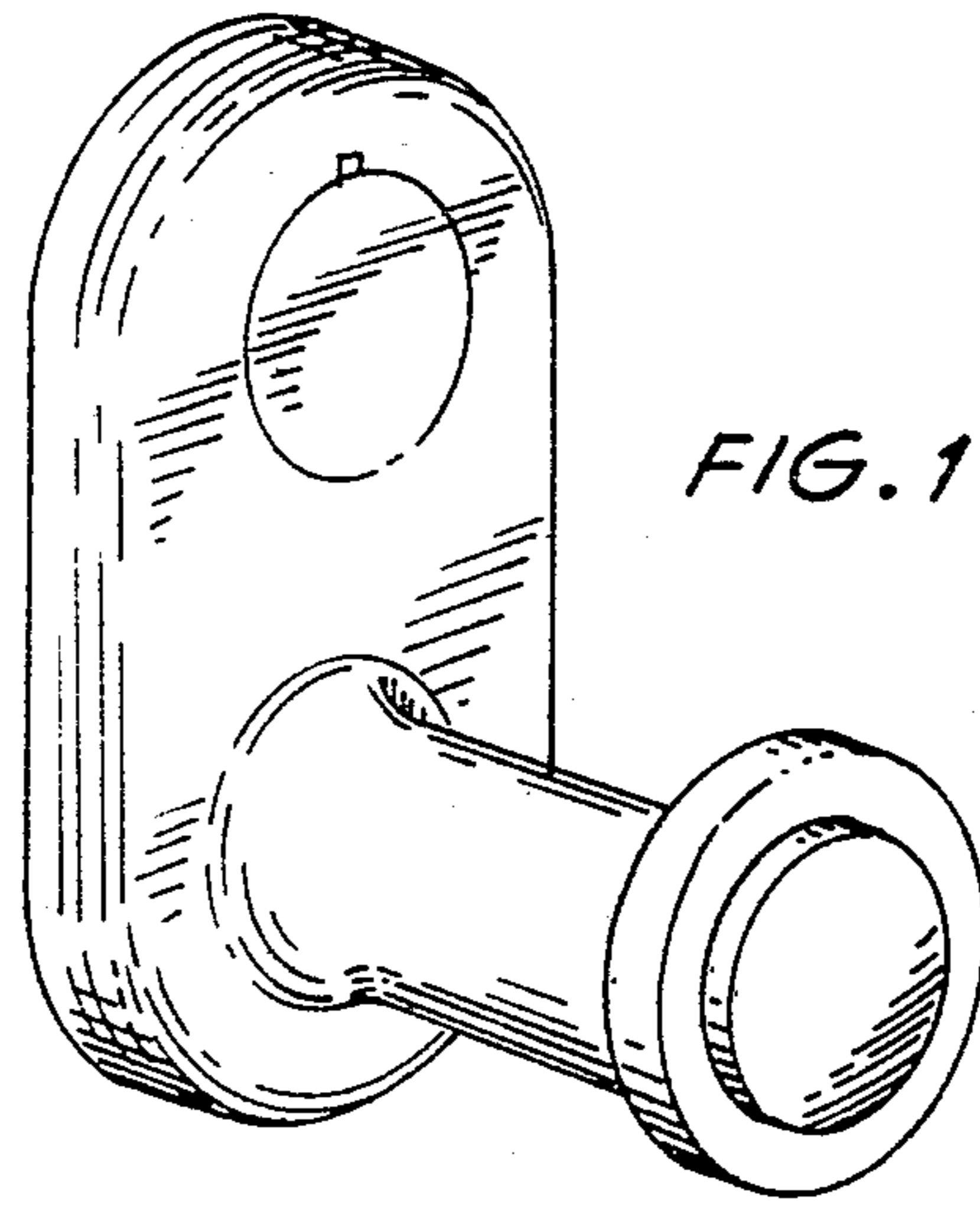
[57] **CLAIM**

The ornamental design for a hook, as shown.

**DESCRIPTION**

FIG. 1 is a perspective view of a hook showing my new design;  
FIG. 2 is a side elevational view taken from the left of FIG. 1;  
FIG. 3 is a right side elevational view taken from the right of FIG. 1;  
FIG. 4 is a front elevational view thereof;  
FIG. 5 is a rear elevational view thereof;  
FIG. 6 is a top plan view thereof;  
FIG. 7 is a bottom plan view thereof.





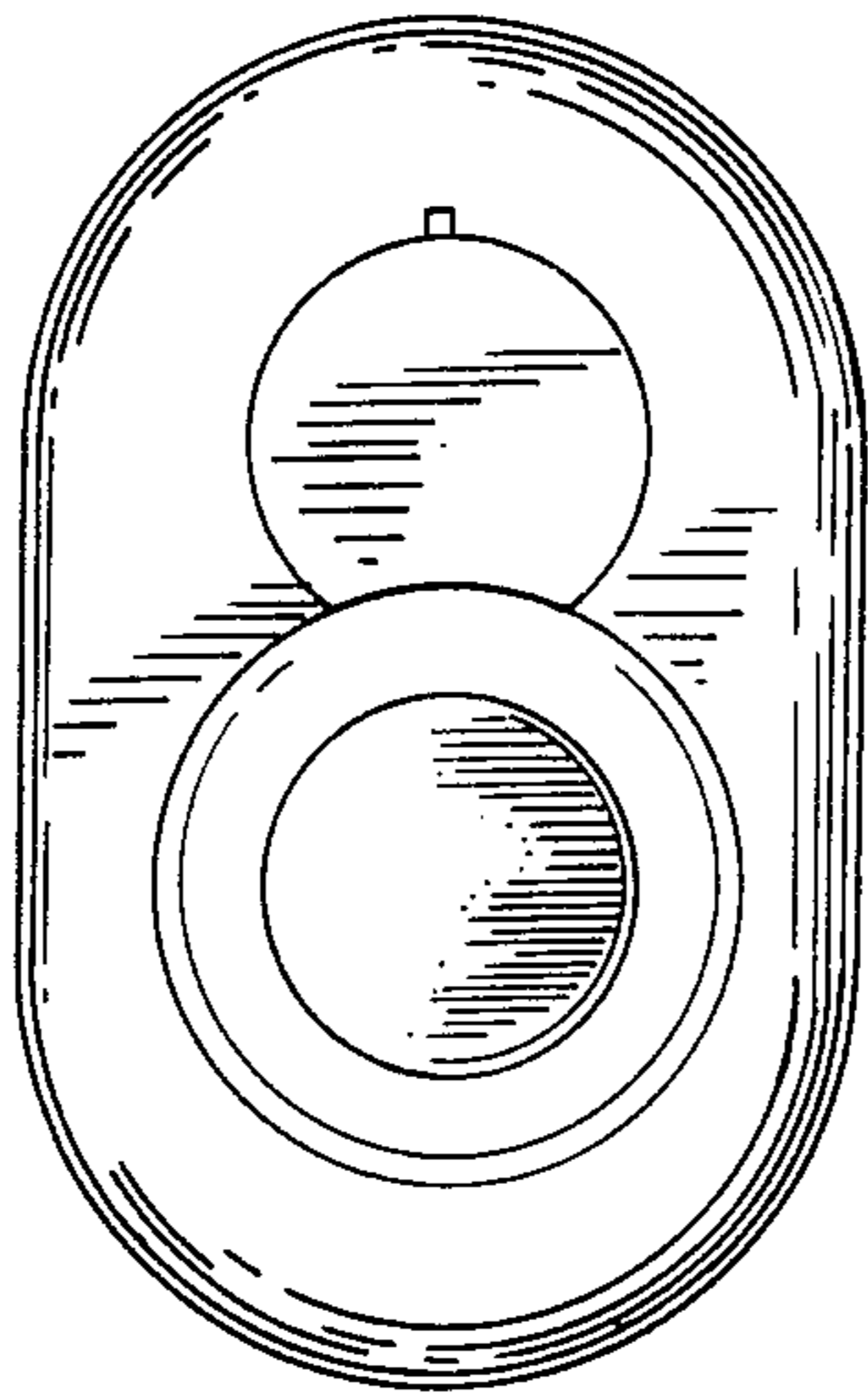


FIG. 4

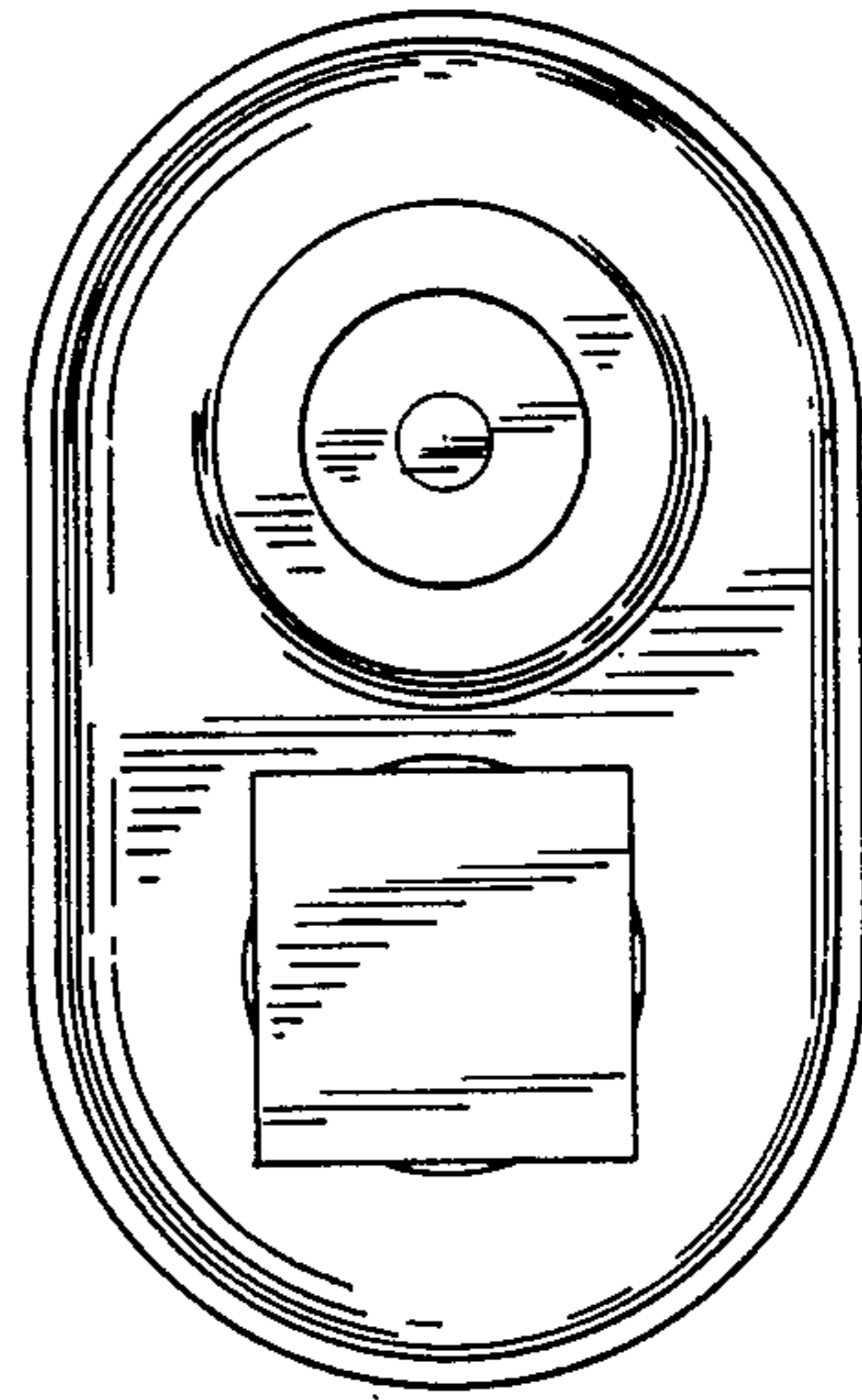


FIG. 5

FIG. 6

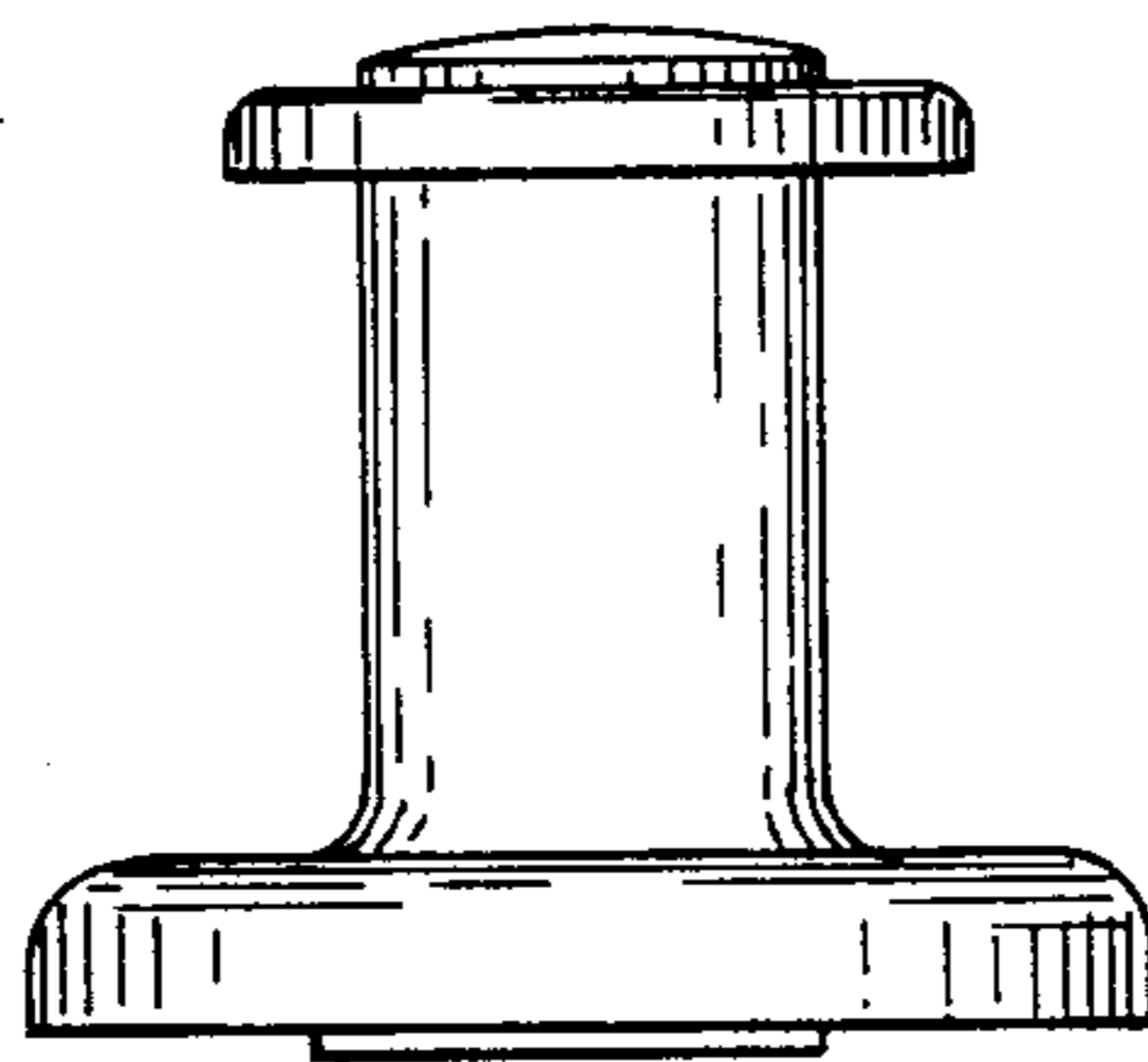


FIG. 7

