

[54] TOOL BOX

[76] Inventor: Chuen K. Lin, 141-1 Ho Ping Rd., Lu Chou Hsiang, Taipei Hsien, Taiwan

[**] Term: 14 Years

[21] Appl. No.: 495,259

[22] Filed: May 17, 1983

[52] U.S. Cl. D3/74; D3/78

[58] Field of Search D3/30.1, 33-35, D3/39, 72, 71, 74, 78; 312/DIG. 33; 206/570

[56] References Cited

U.S. PATENT DOCUMENTS

D. 177,591	5/1956	Robinson	D3/74
D. 222,314	10/1971	Jaffe et al.	D3/75
D. 258,175	2/1981	Ha zeltine	D3/74
D. 264,896	6/1982	Perkins	D3/78
2,286,427	6/1942	Levensten	312/DIG. 33
2,335,896	12/1943	Arnold	D3/39
2,739,863	3/1956	Ferris	312/DIG. 33

Primary Examiner—George P. Word
Attorney, Agent, or Firm—Lowe, King, Price & Becker

[57] CLAIM

The ornamental design for a tool box, as shown and described.

DESCRIPTION

FIG. 1 is a perspective view of a tool box showing my new design with the cover and front panel in the open position and the main drawer and one of the small drawers partially pulled out;

FIG. 2 is a perspective view of the tool box in the closed position;

FIG. 3 is a top plan view of the tool box with the cover and front panel in the open position;

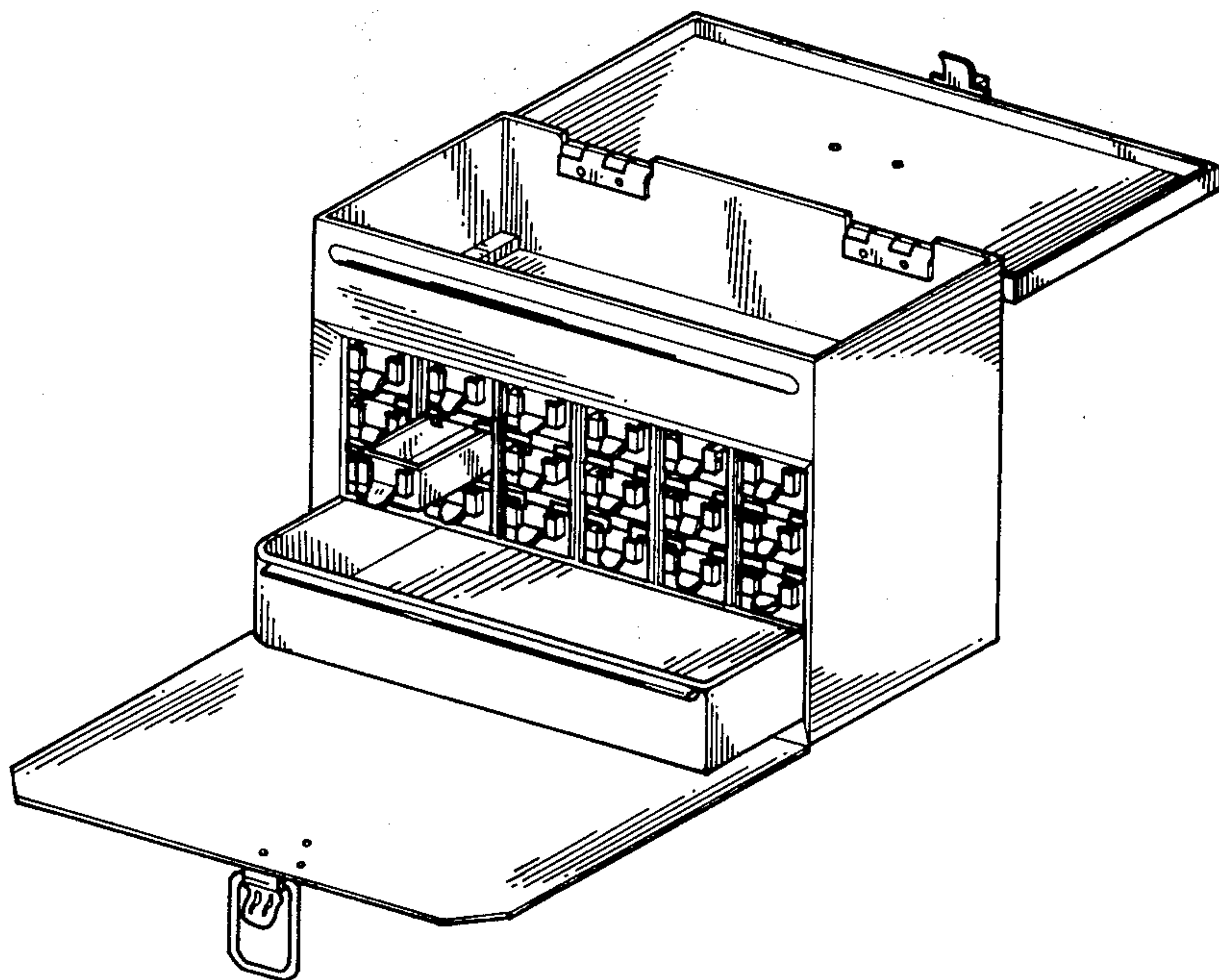
FIG. 4 is a bottom plan view of FIG. 3;

FIG. 5 is a front elevational view thereof;

FIG. 6 is a rear elevational view thereof;

FIG. 7 is a right side elevational view thereof; and

FIG. 8 is a left side elevational view thereof.



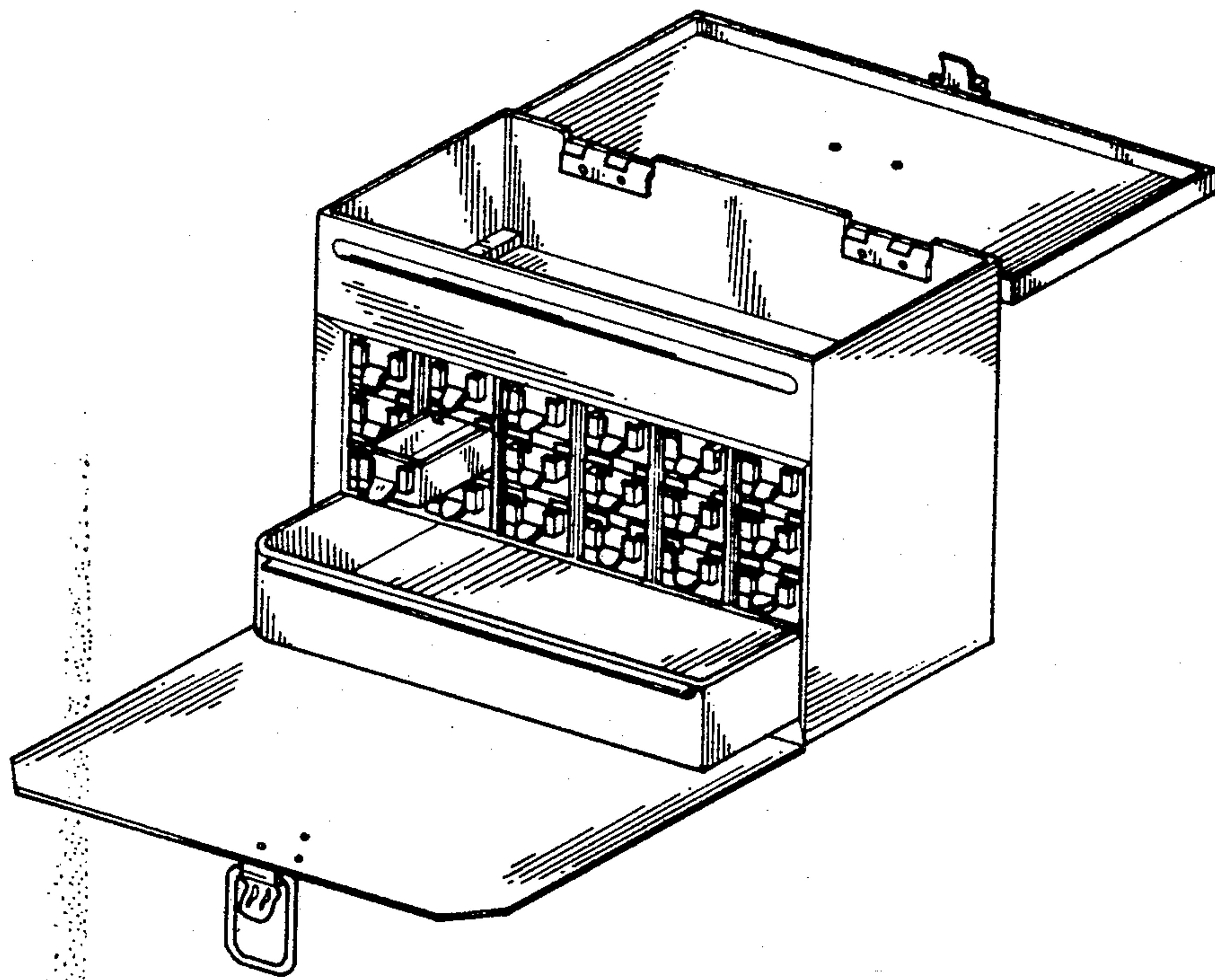


FIG 1

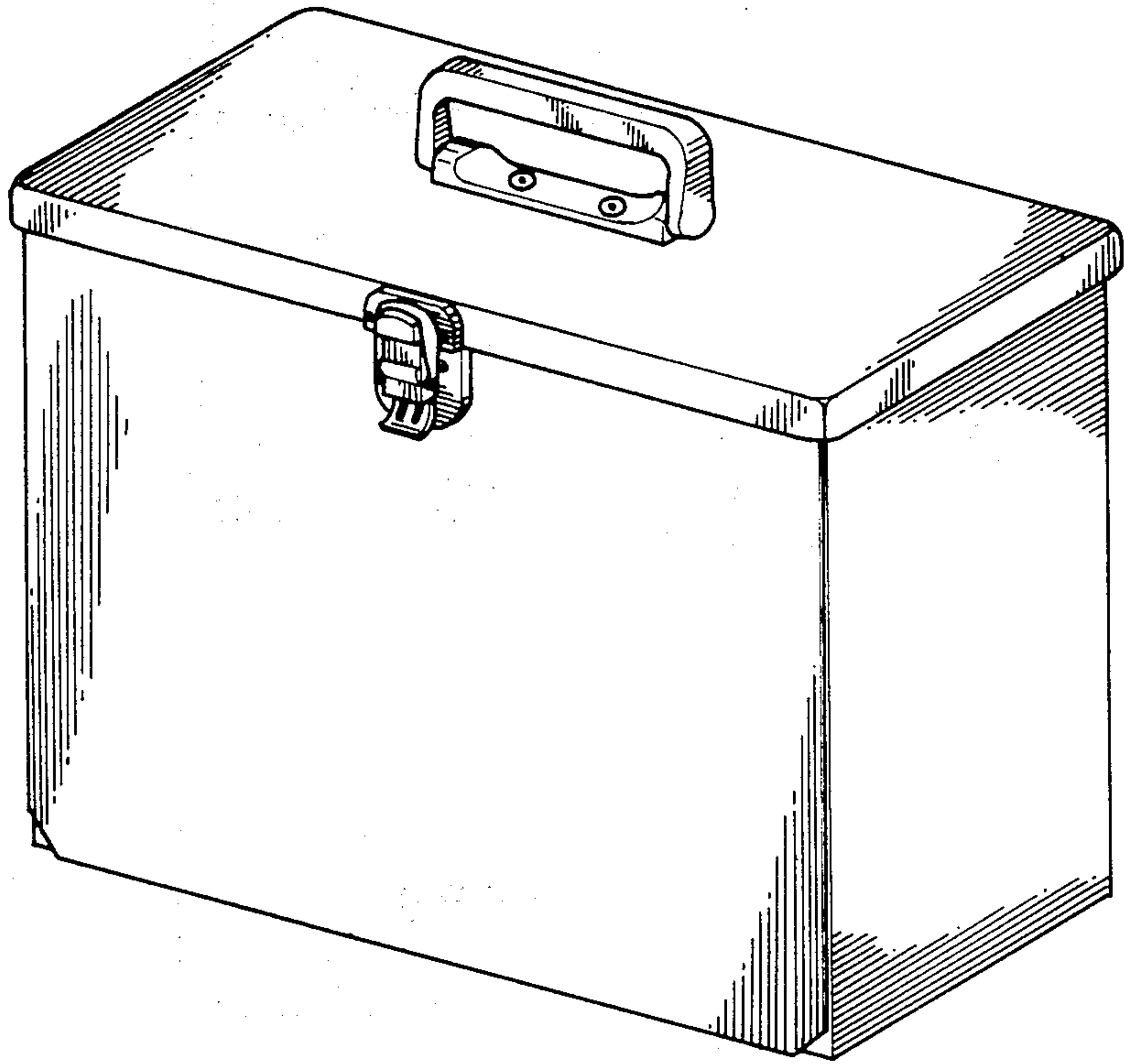


FIG. 2

FIG.3

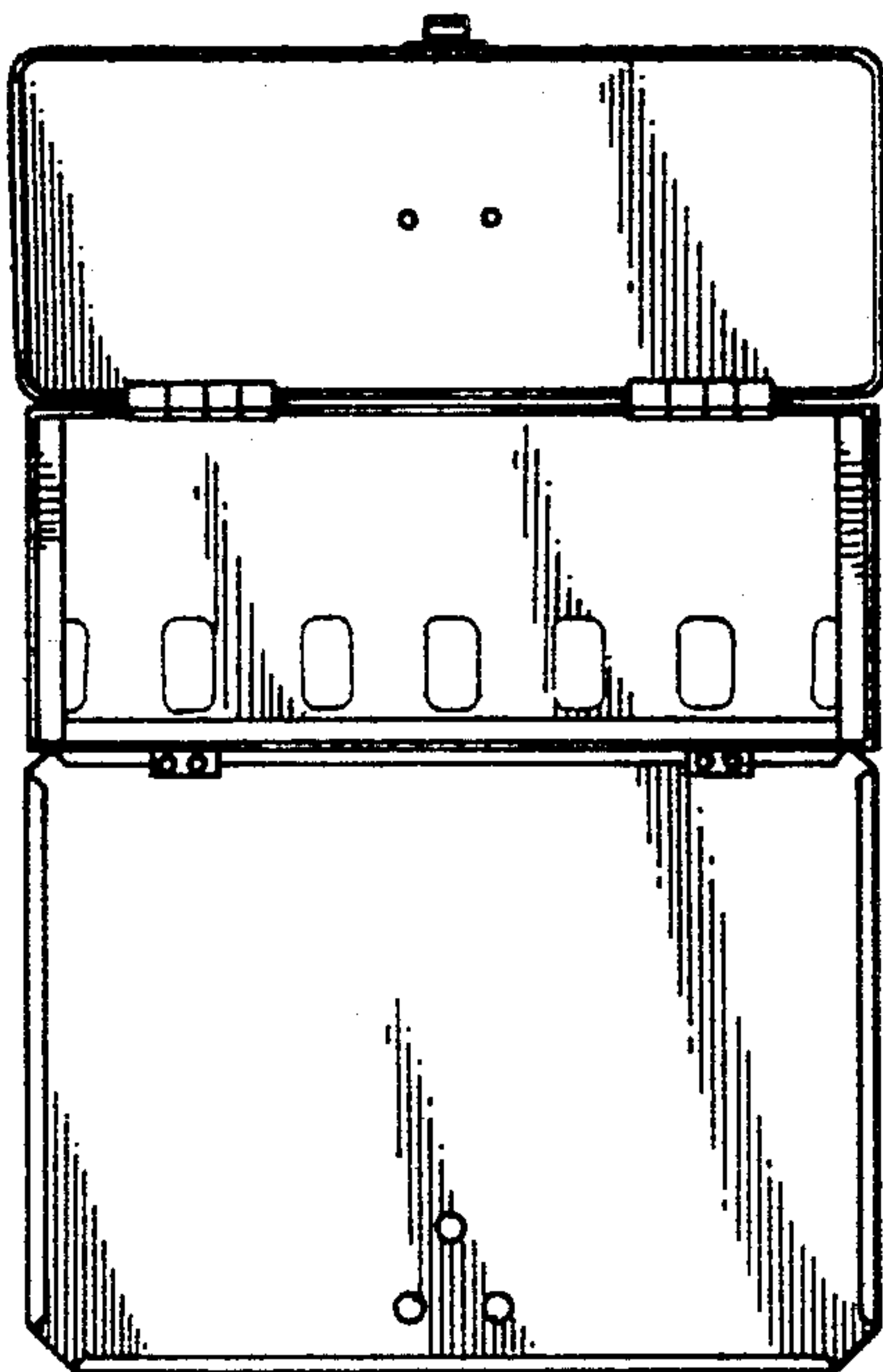
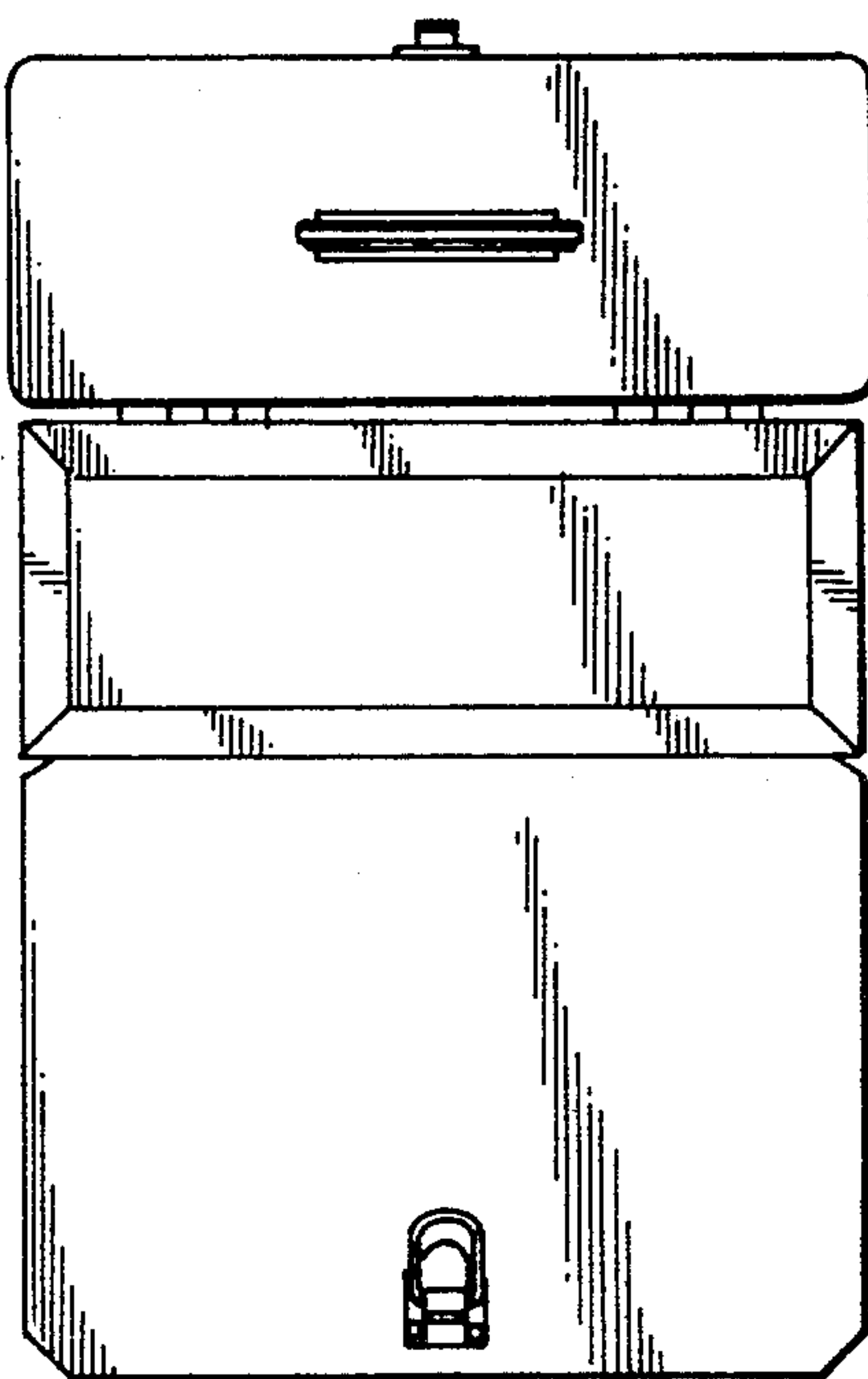


FIG.4



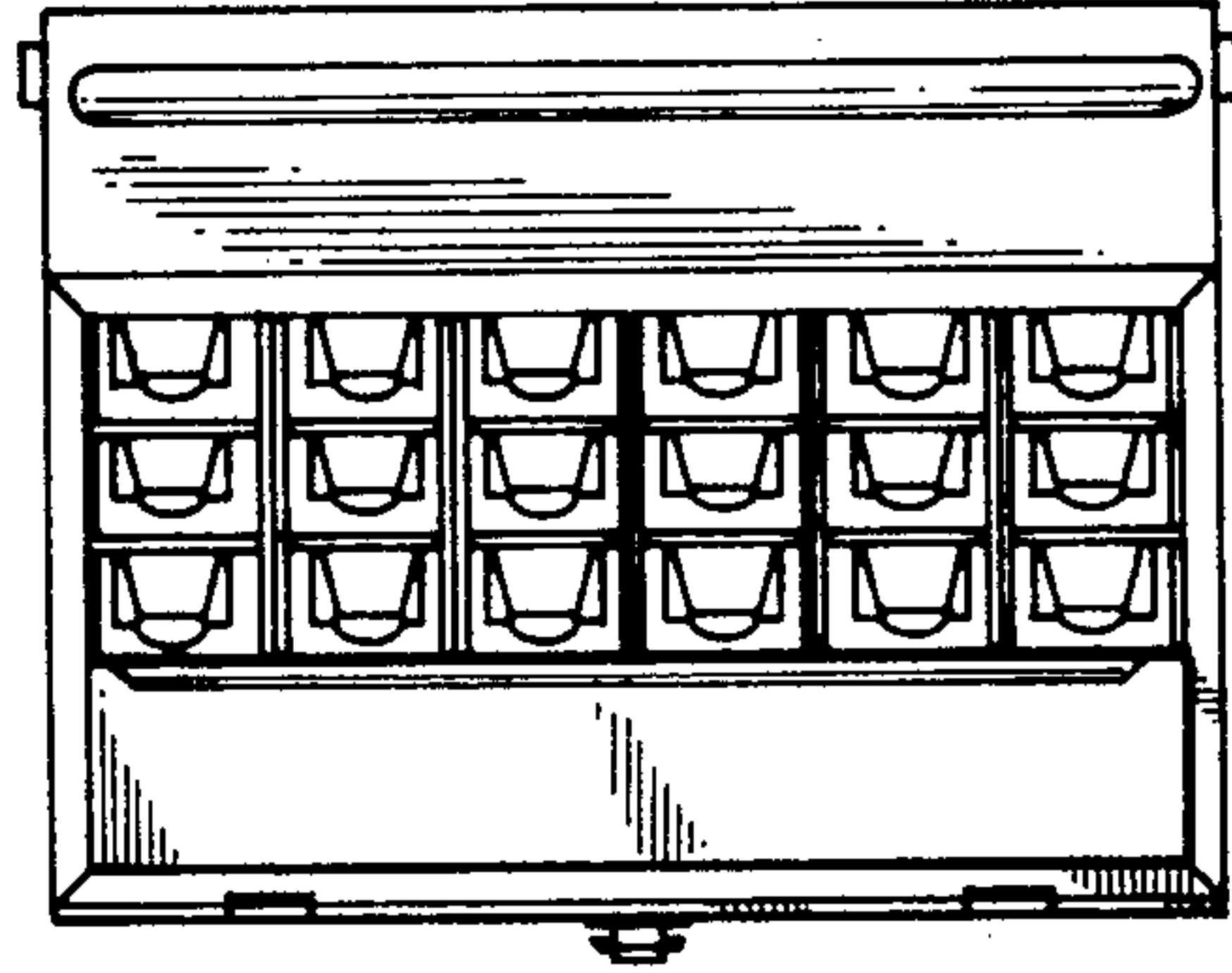


FIG.5

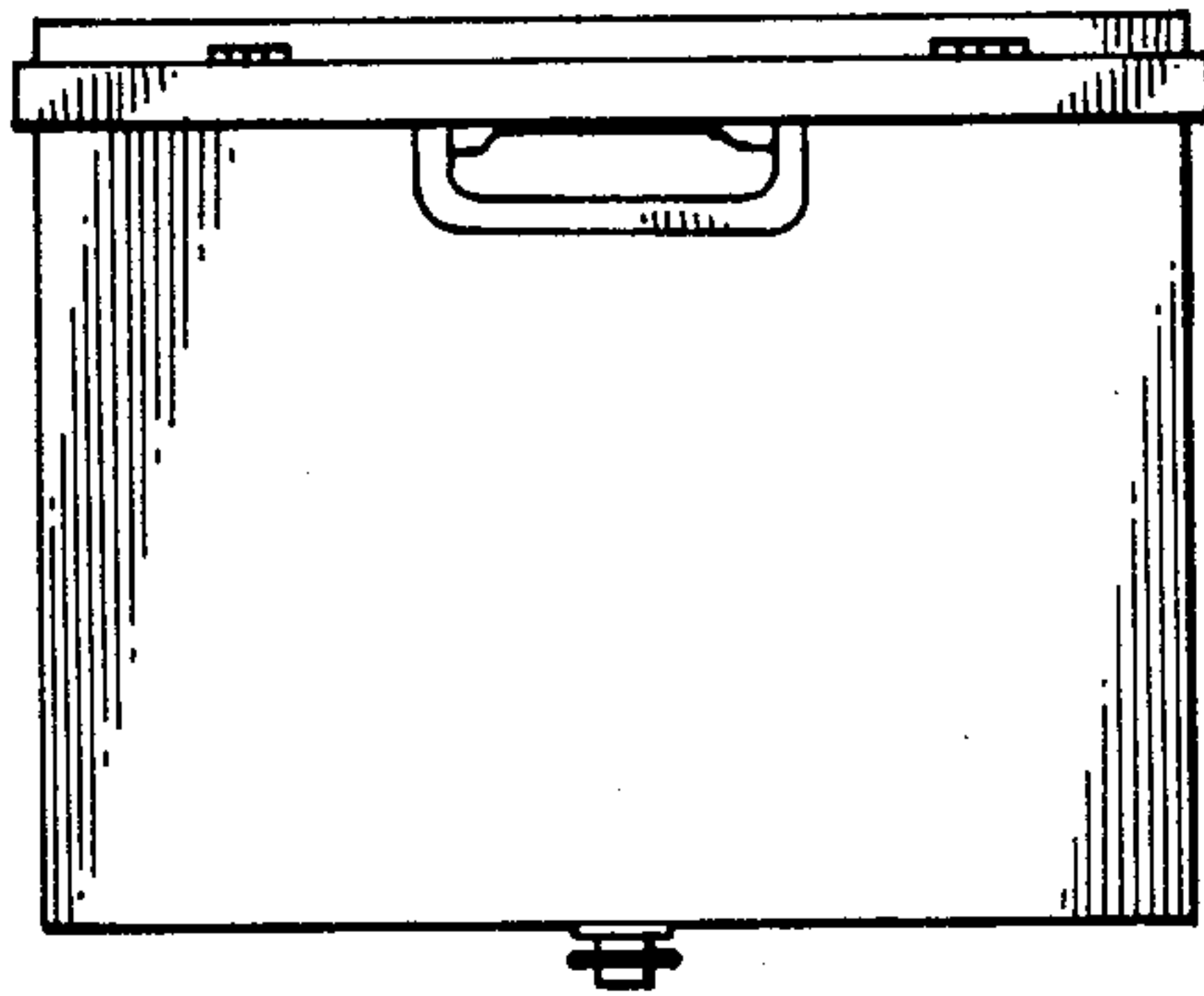


FIG.6

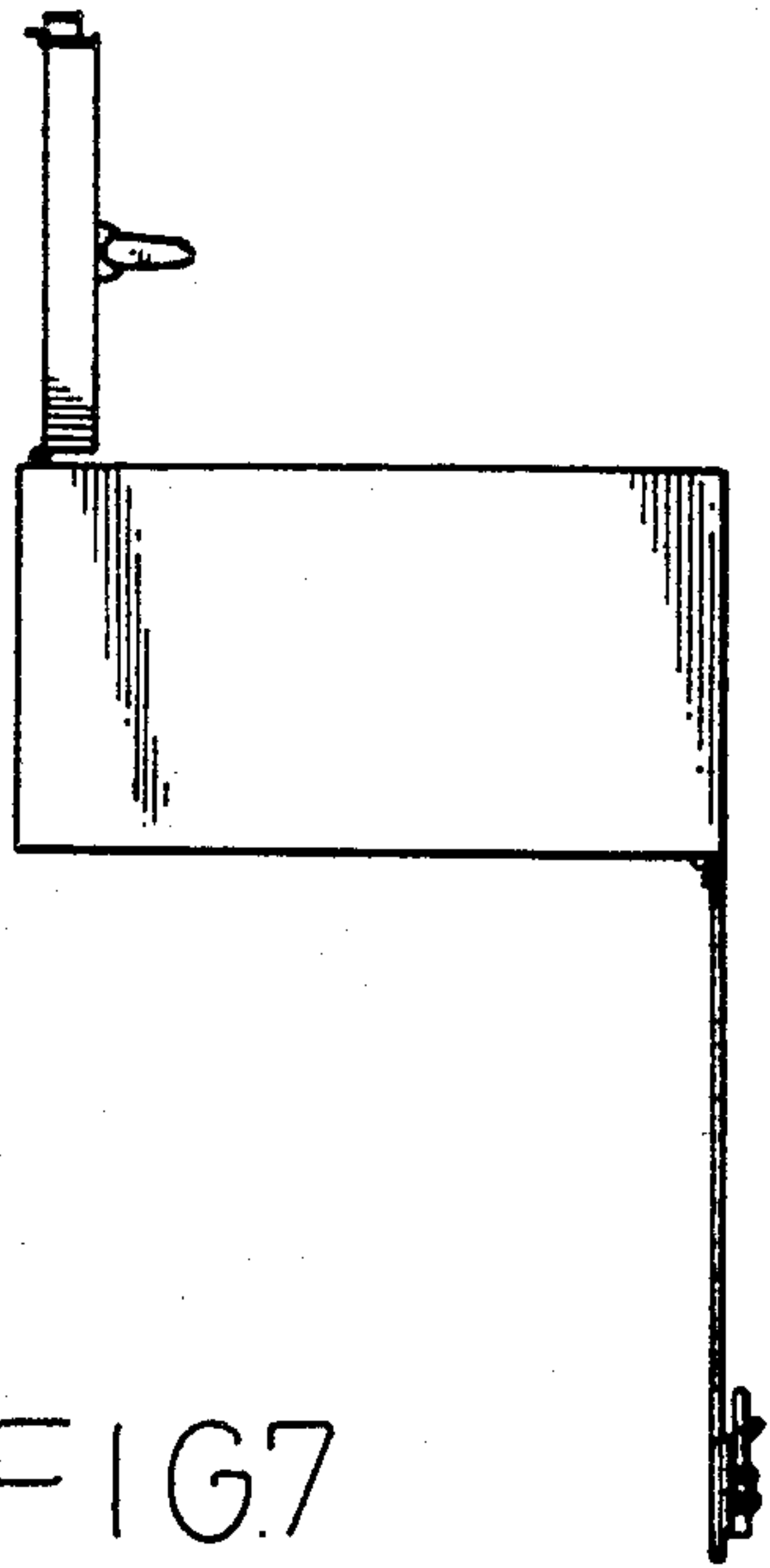


FIG. 7

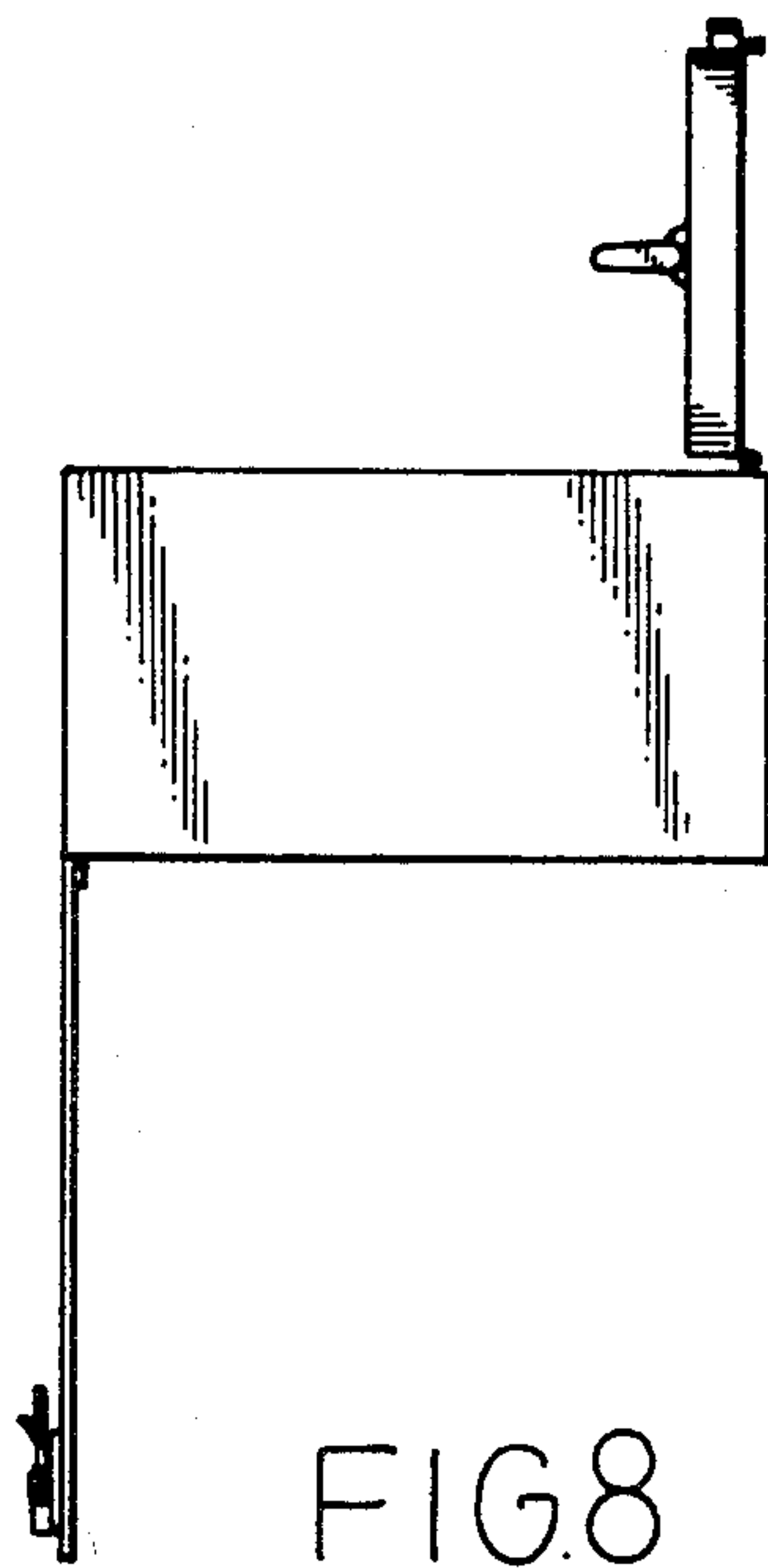


FIG. 8