

[54] **BELT-SUPPORTED CANISTER HOLSTER**

[76] **Inventor: Robert W. Hengesbach, 7886 Mentor Rd., Mentor, Ohio 44060**

[\*\*] **Term: 14 Years**

[21] **Appl. No.: 521,180**

[22] **Filed: Aug. 17, 1983**

[52] **U.S. Cl. .... D2/400**

[58] **Field of Search .... D2/400, 381; 224/904, 224/908, 909, 914, 148, 191, 224, 226, 250; D3/70, 79; D9/455, 369**

[56] **References Cited**

**U.S. PATENT DOCUMENTS**

D. 261,698	11/1981	Humble	.....	D2/400
D. 271,820	12/1983	Allen	.....	D2/400
D. 272,773	2/1984	Weissenburger	.....	D2/400
D. 272,775	2/1984	Weissenburger	.....	D2/400
D. 273,247	4/1984	Pigott	.....	D2/400
1,605,195	11/1926	Lewis	.....	224/148

**OTHER PUBLICATIONS**

**Klein Tools and Safety Equipment General Catalog 120, p. 53, top right of page, 5112T.**

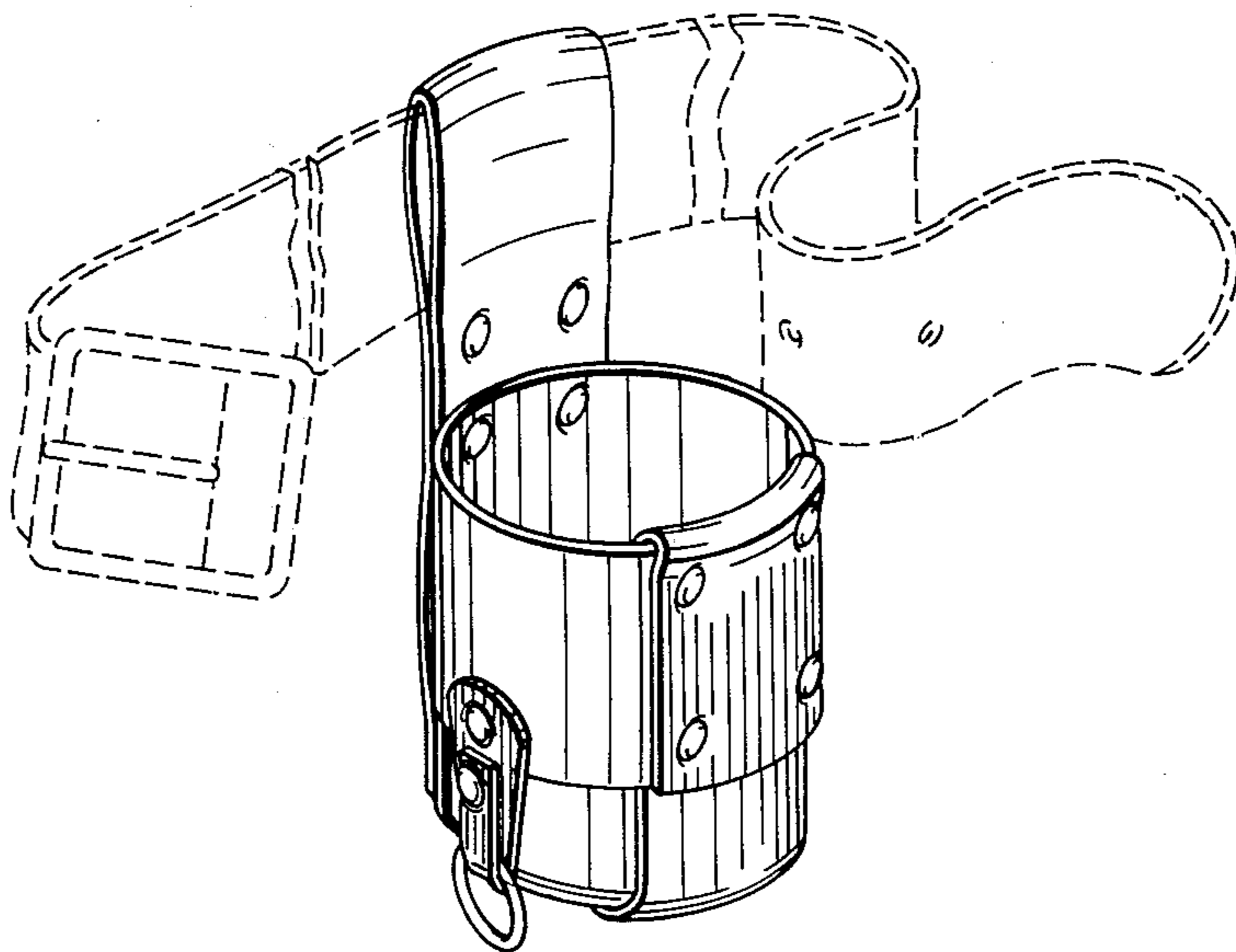
*Primary Examiner—Bernard Ansher*  
*Assistant Examiner—Theodore M. Shooman*  
*Attorney, Agent, or Firm—David A. Burge*

[57] **CLAIM**

The ornamental design for a belt-supported canister holster, as shown and described.

**DESCRIPTION**

FIG. 1 is a front perspective view of a belt-supported canister holster showing my new design; FIG. 2 is a top plan view thereof; FIG. 3 is a bottom plan view thereof; FIG. 4 is a rear elevation view thereof; FIG. 5 is a left side elevation view thereof, the right side elevation view being a mirror image thereof; FIG. 6 is a front elevation view thereof; FIG. 7 is a sectional view taken along line 7—7 of FIG. 2; FIG. 8 is a sectional view taken along line 8—8 of FIG. 2; FIG. 9 is a front perspective view of a second embodiment of the belt-supported canister holder shown in FIG. 1; FIG. 10 is a top plan view thereof; FIG. 11 is a bottom plan view thereof; FIG. 12 is a rear elevation view thereof; FIG. 13 is a left side elevation view thereof, the right side elevation view being a mirror image thereof; FIG. 14 is a front elevation view thereof; FIG. 15 is a sectional view taken along line 15—15 of FIG. 10; and, FIG. 16 is a sectional view taken along line 16—16 of FIG. 10. The broken lines representing a belt are shown for illustrative purposes only.



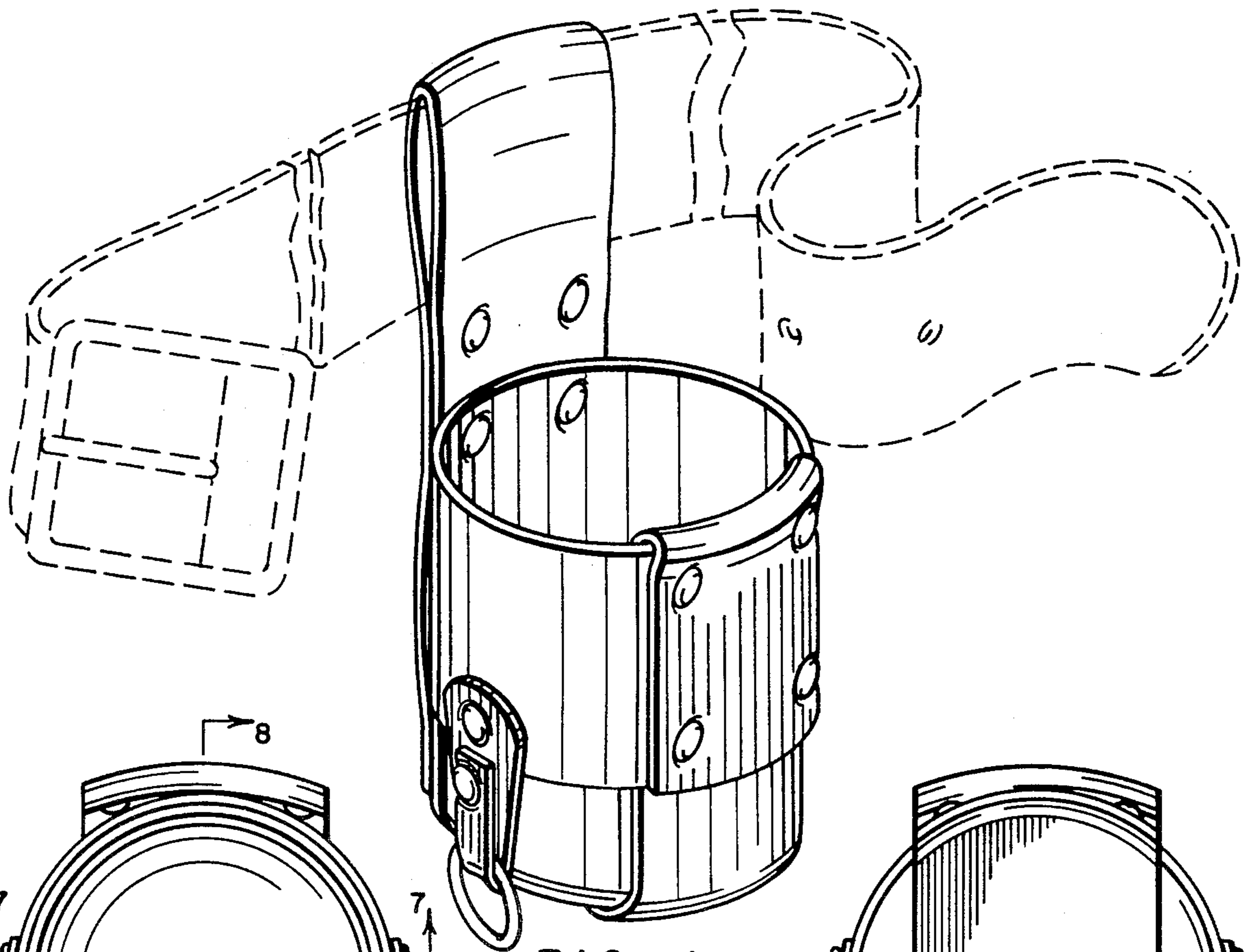


FIG. 1

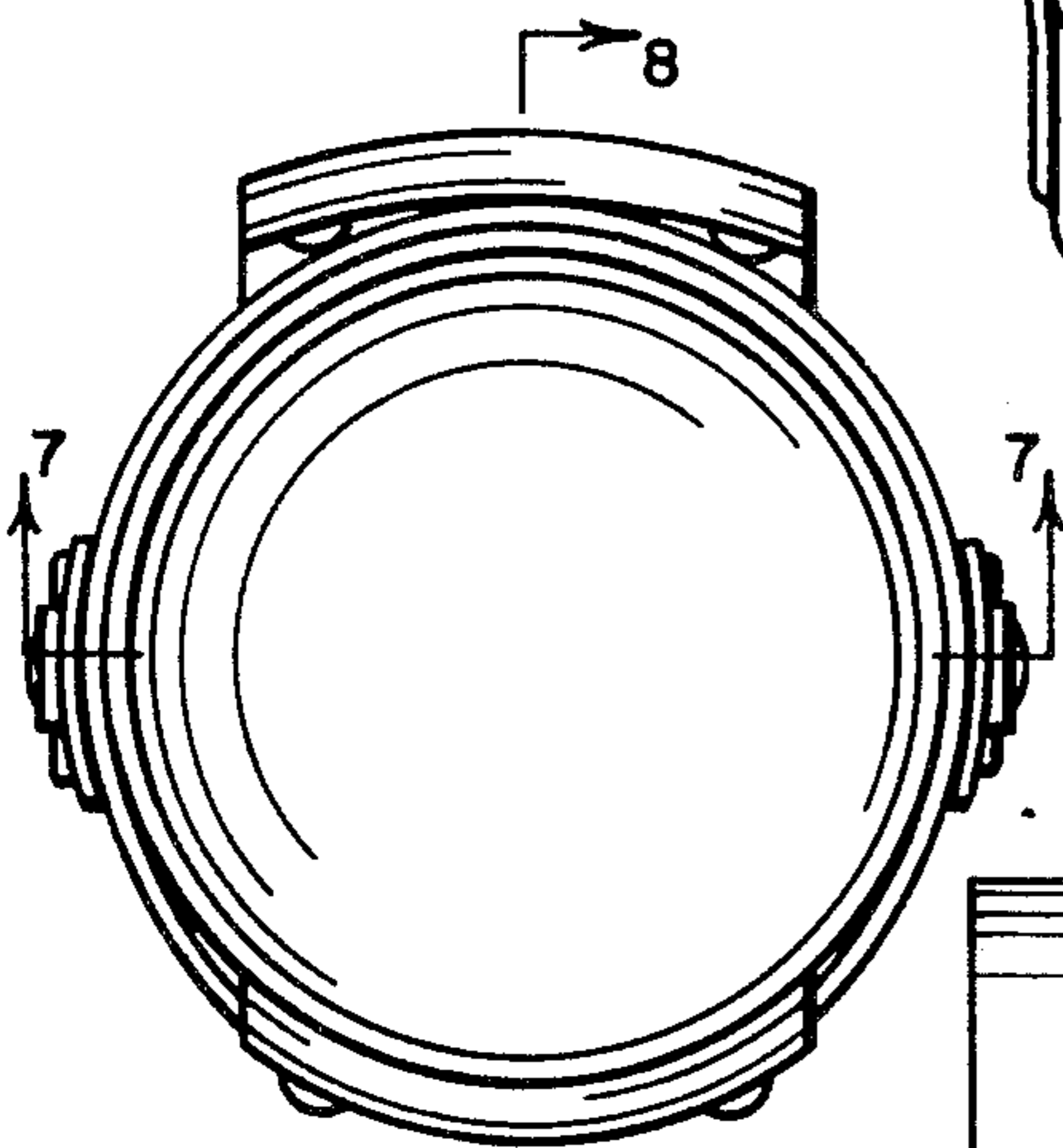


FIG. 2

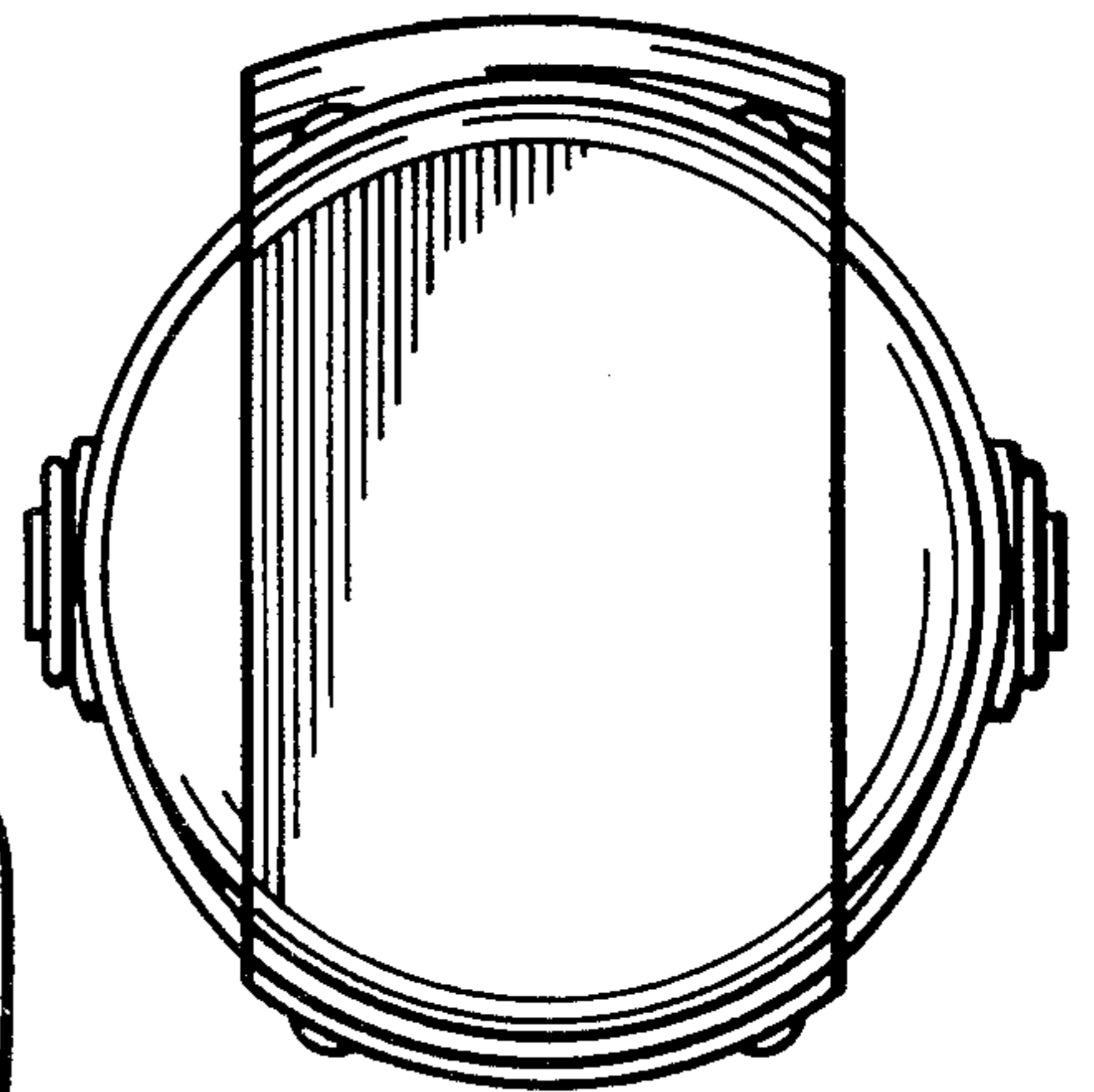


FIG. 3

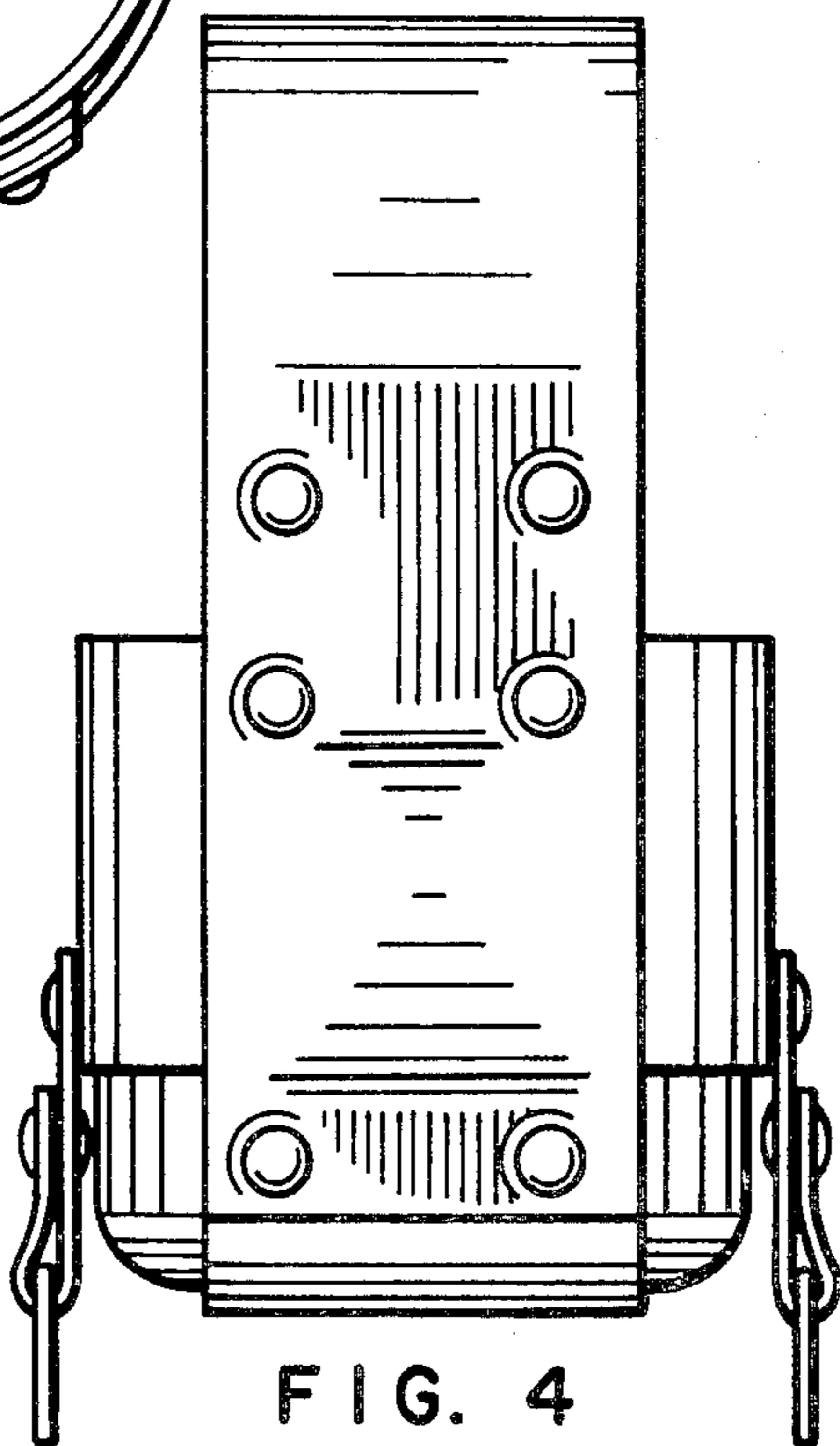


FIG. 4

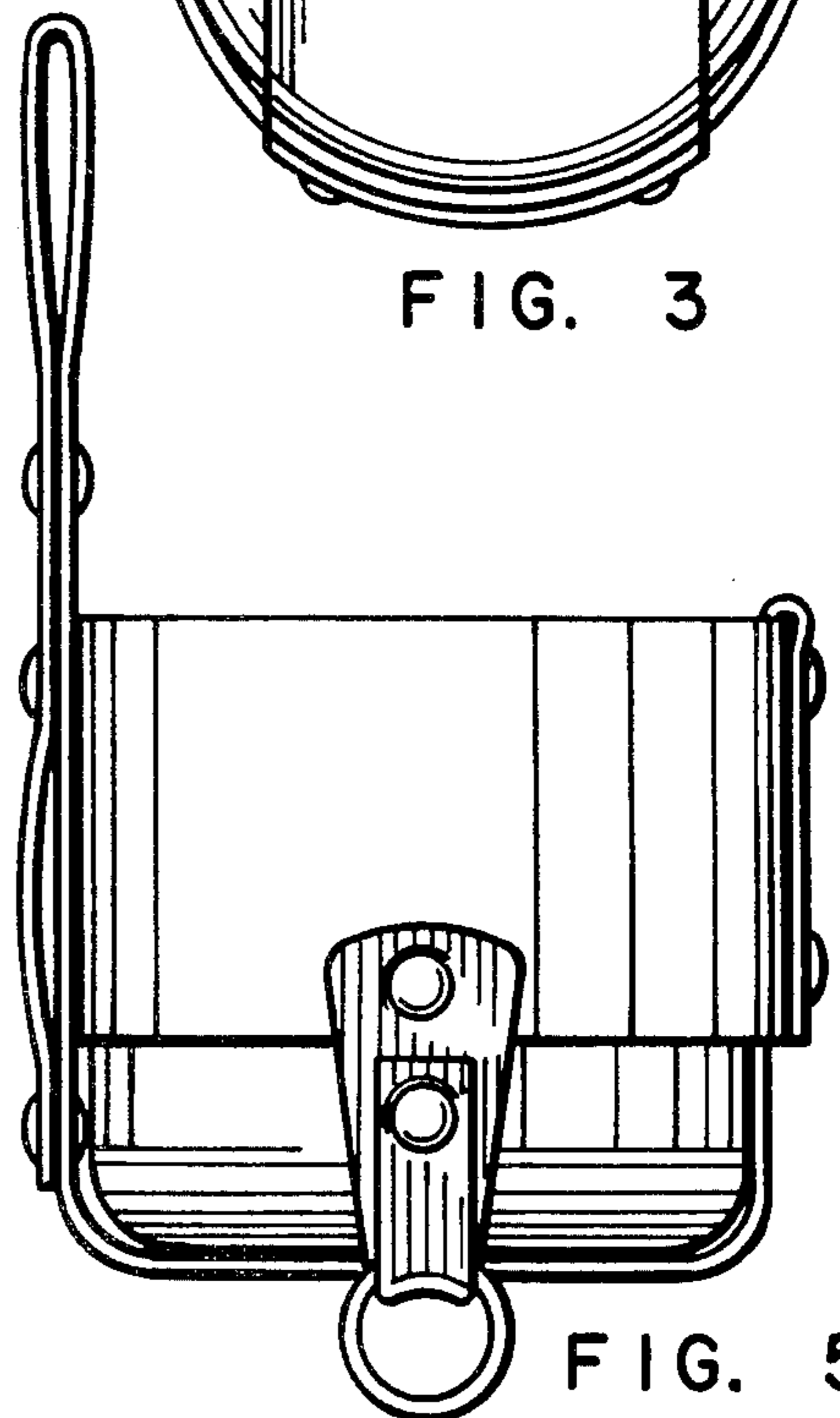


FIG. 5

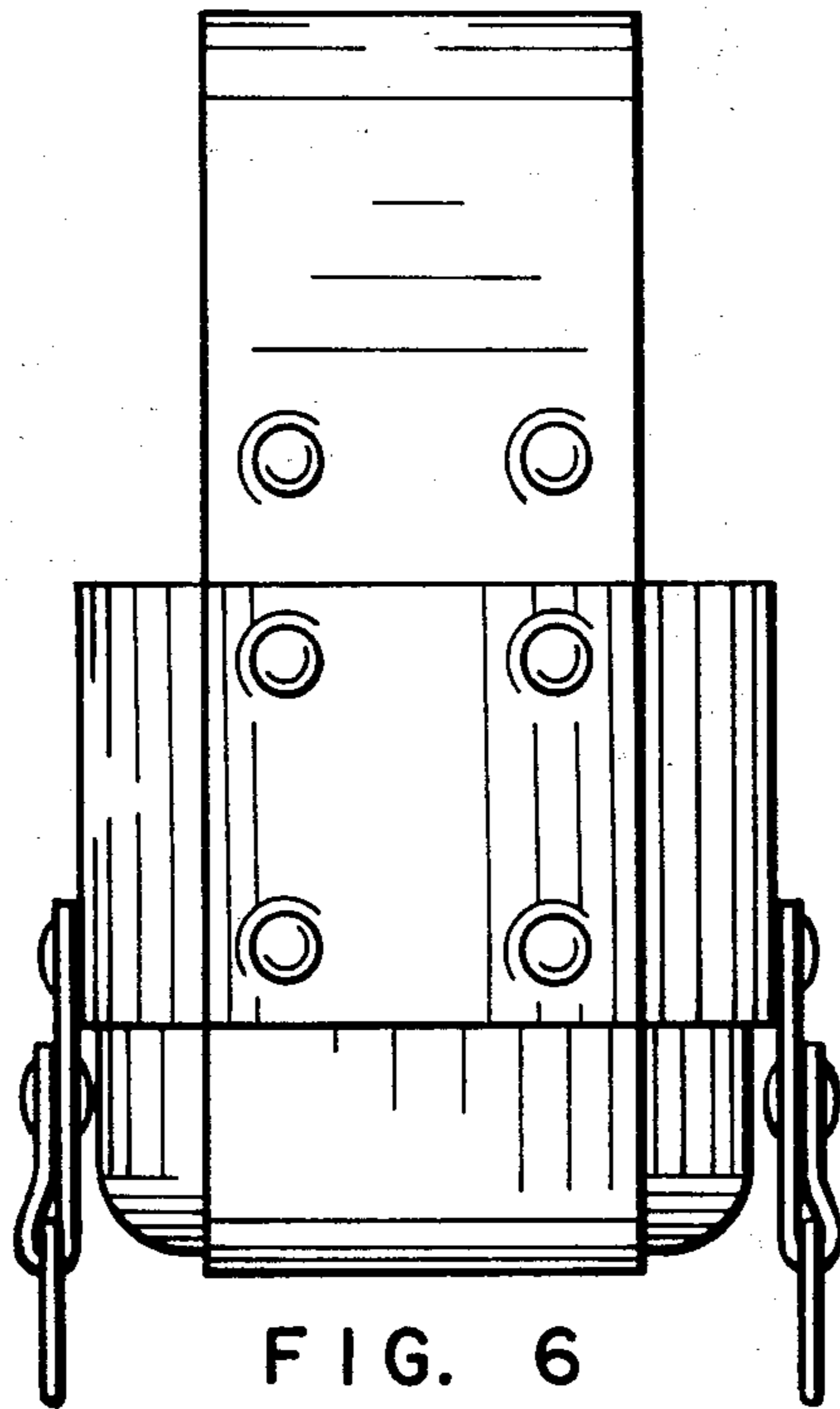


FIG. 6

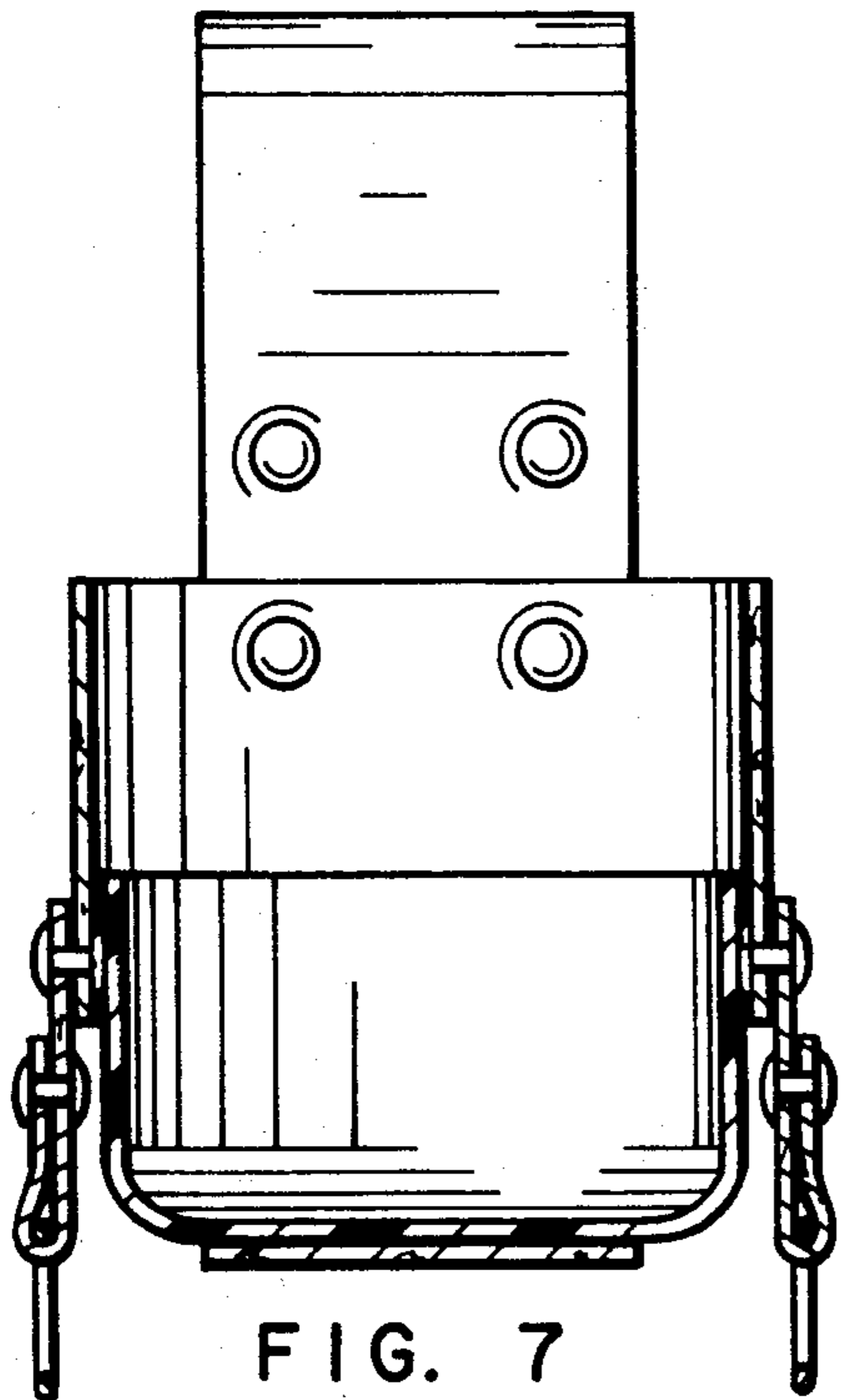


FIG. 7

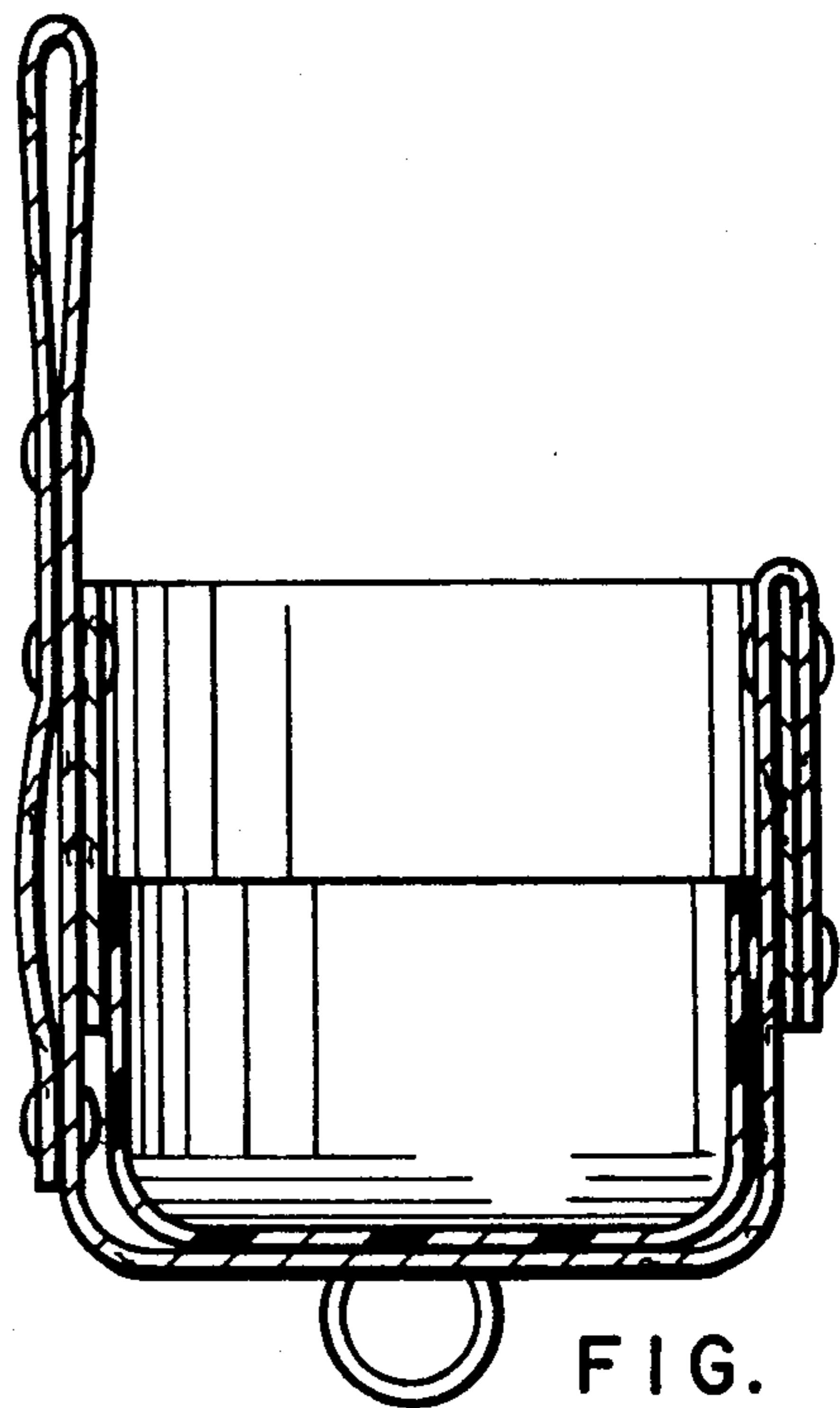
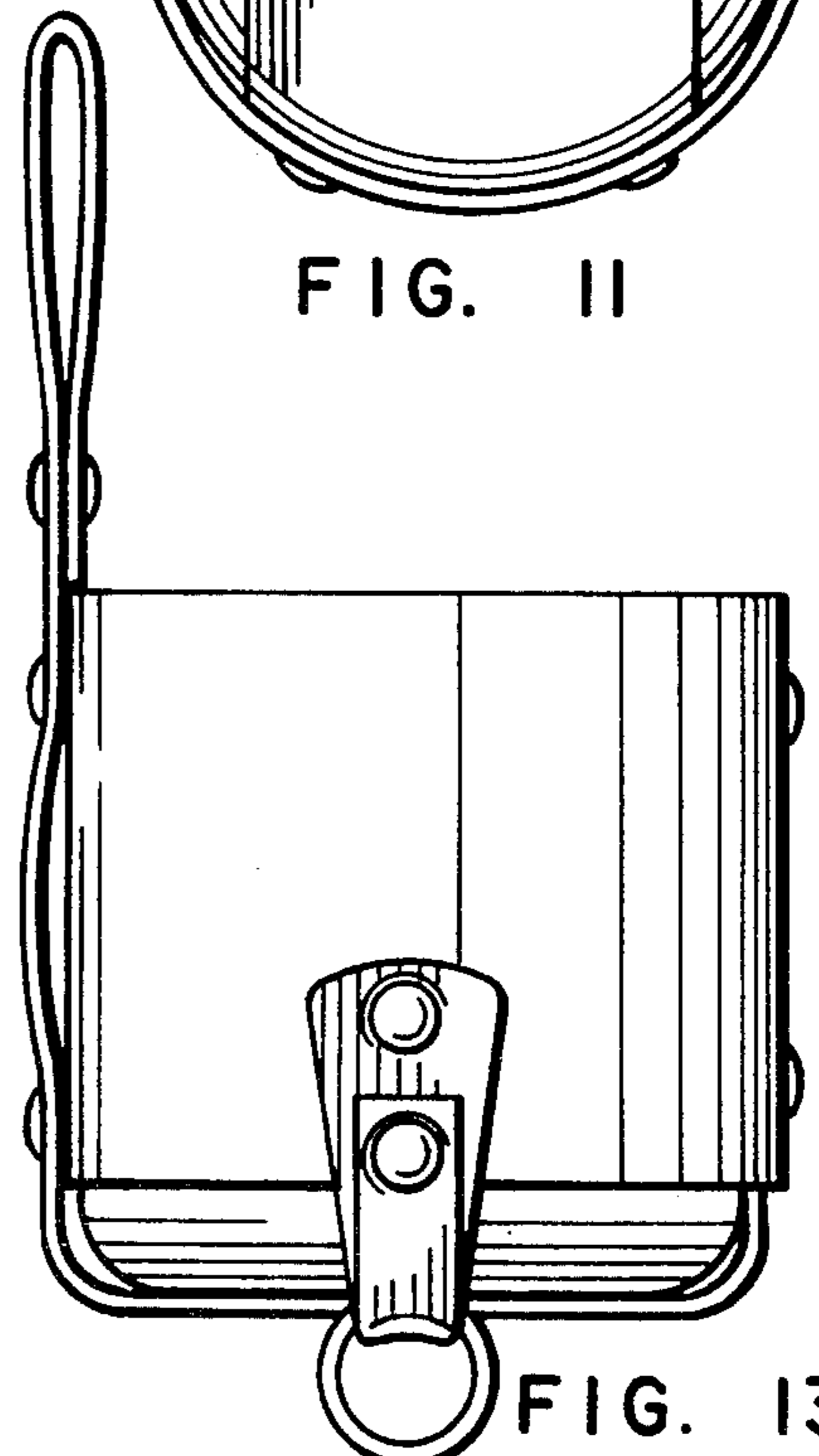
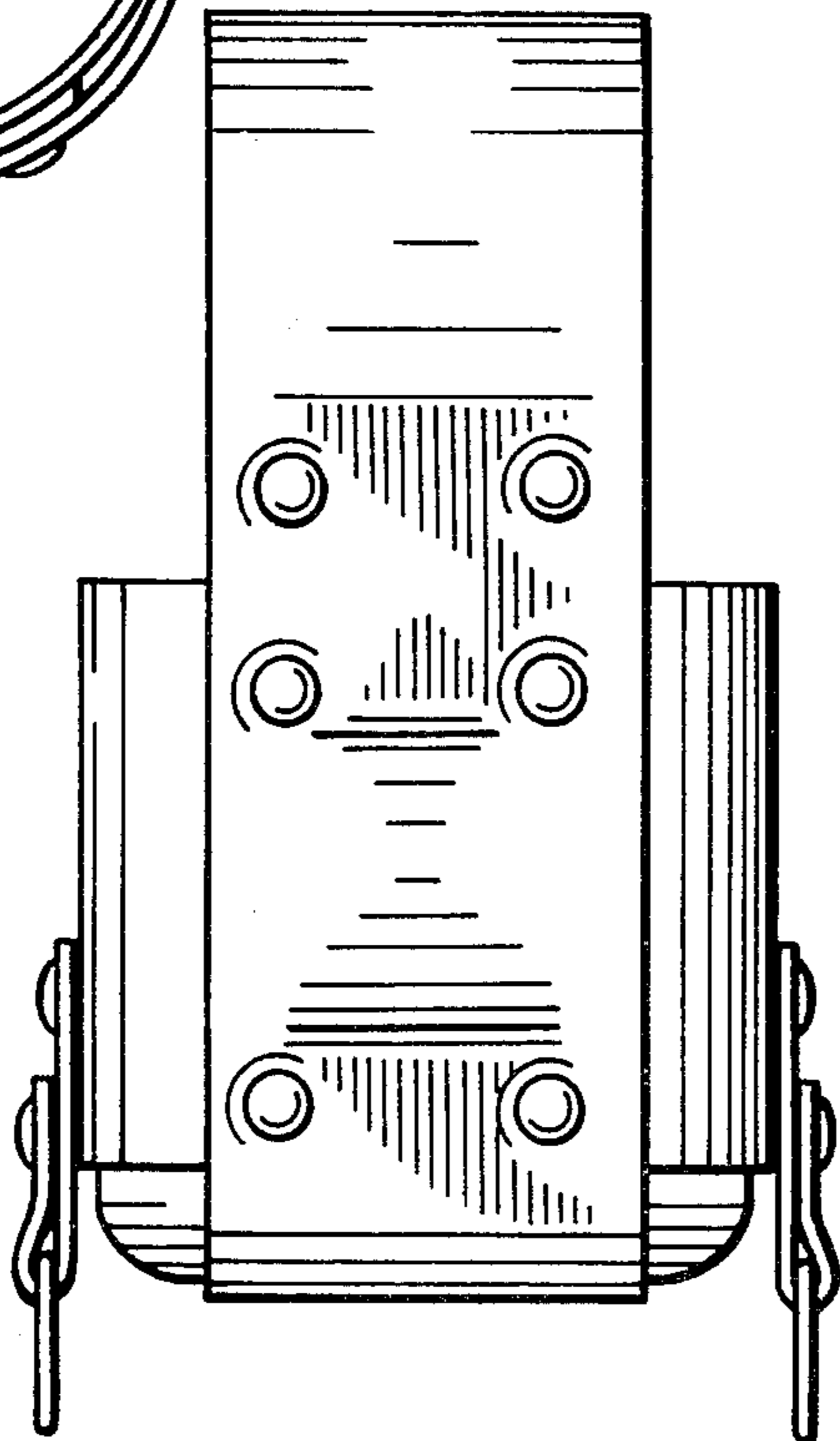
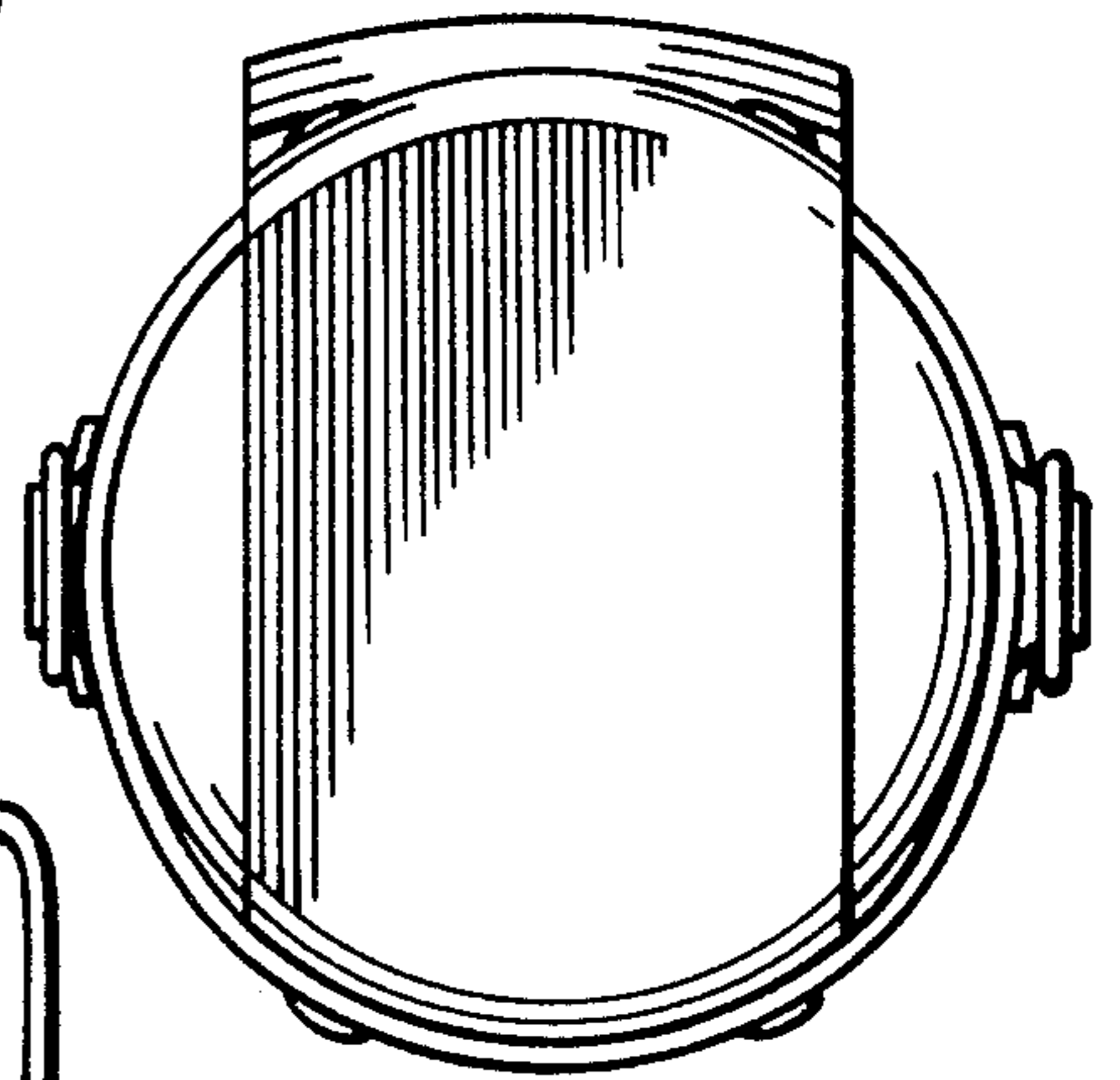
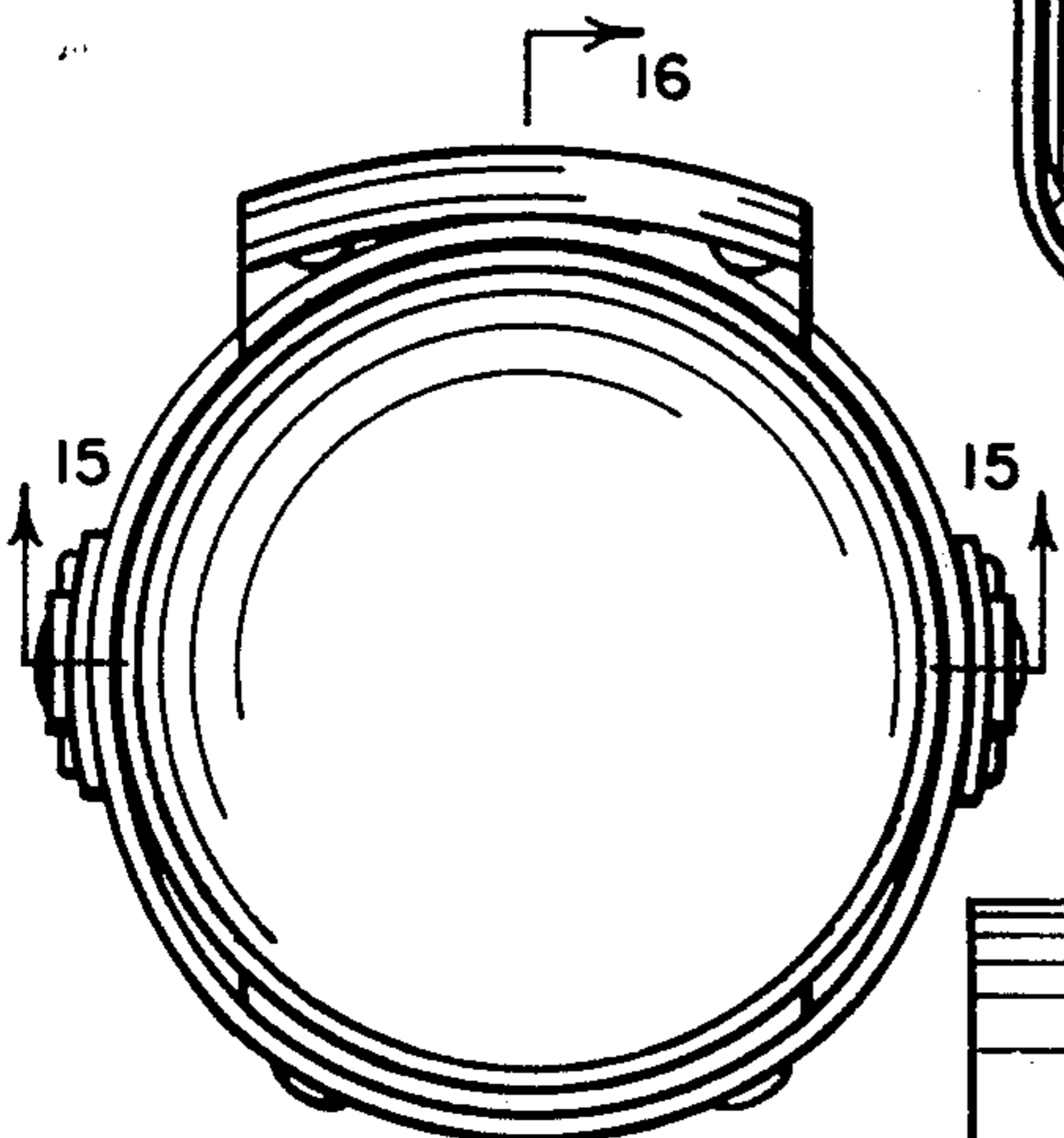
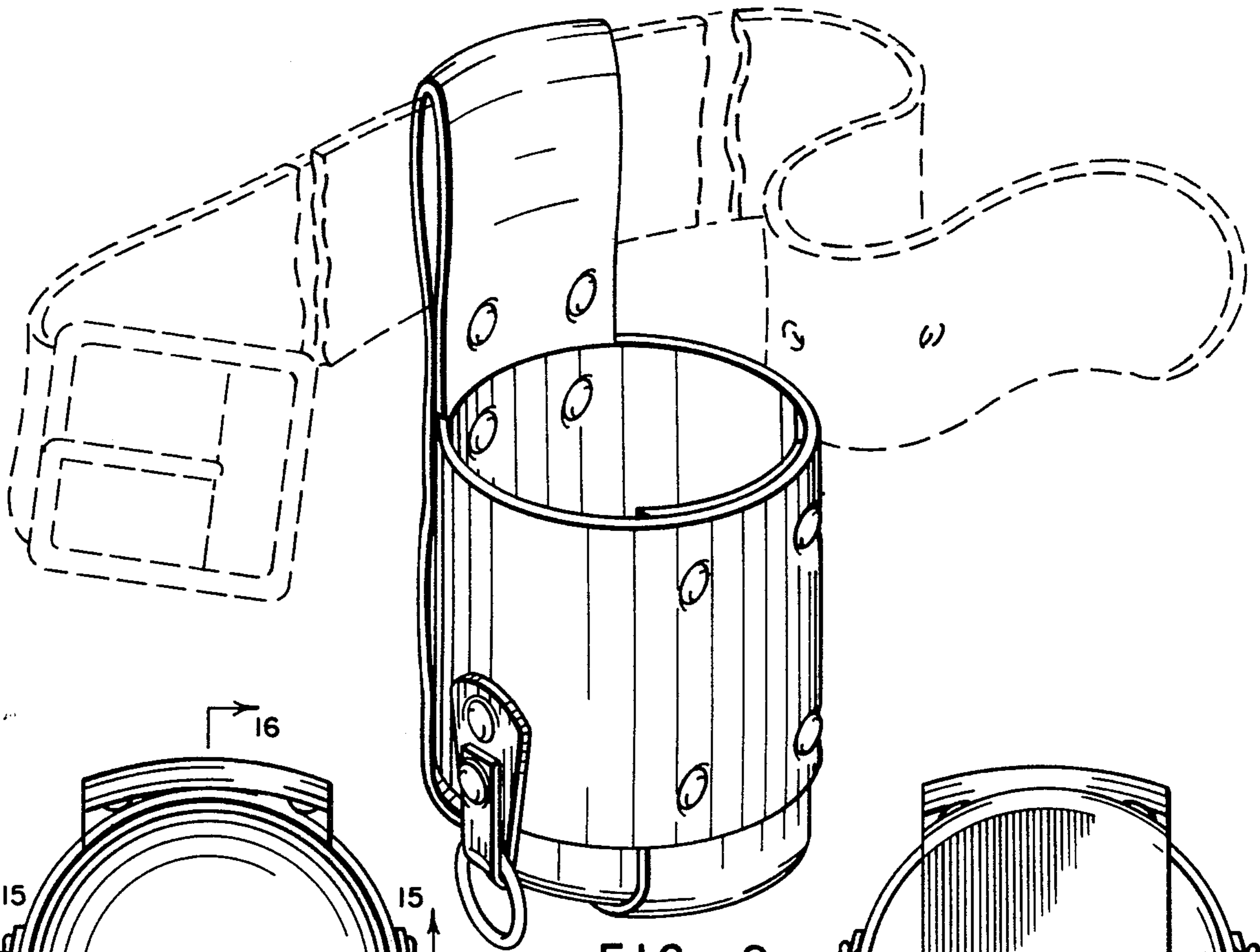


FIG. 8



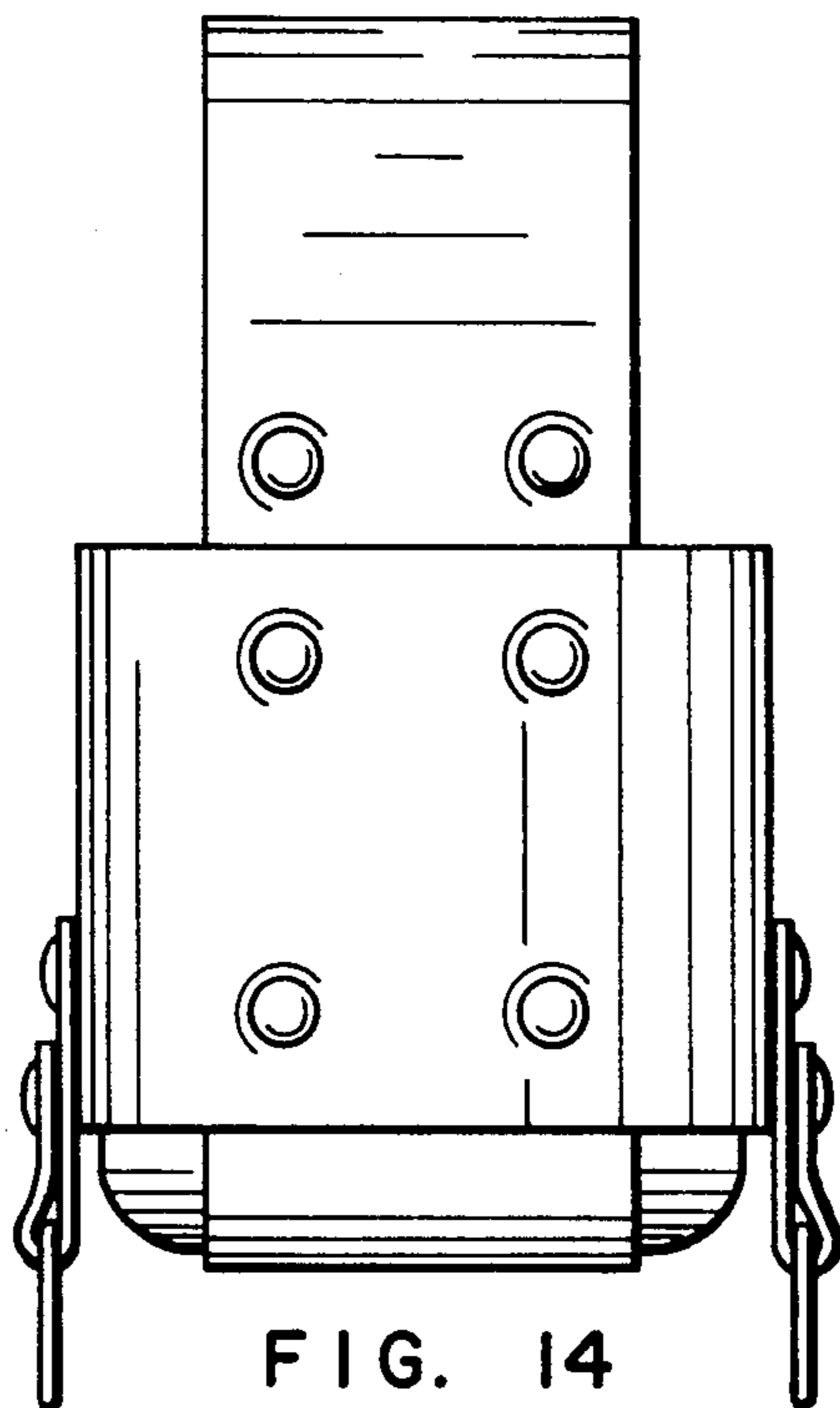


FIG. 14

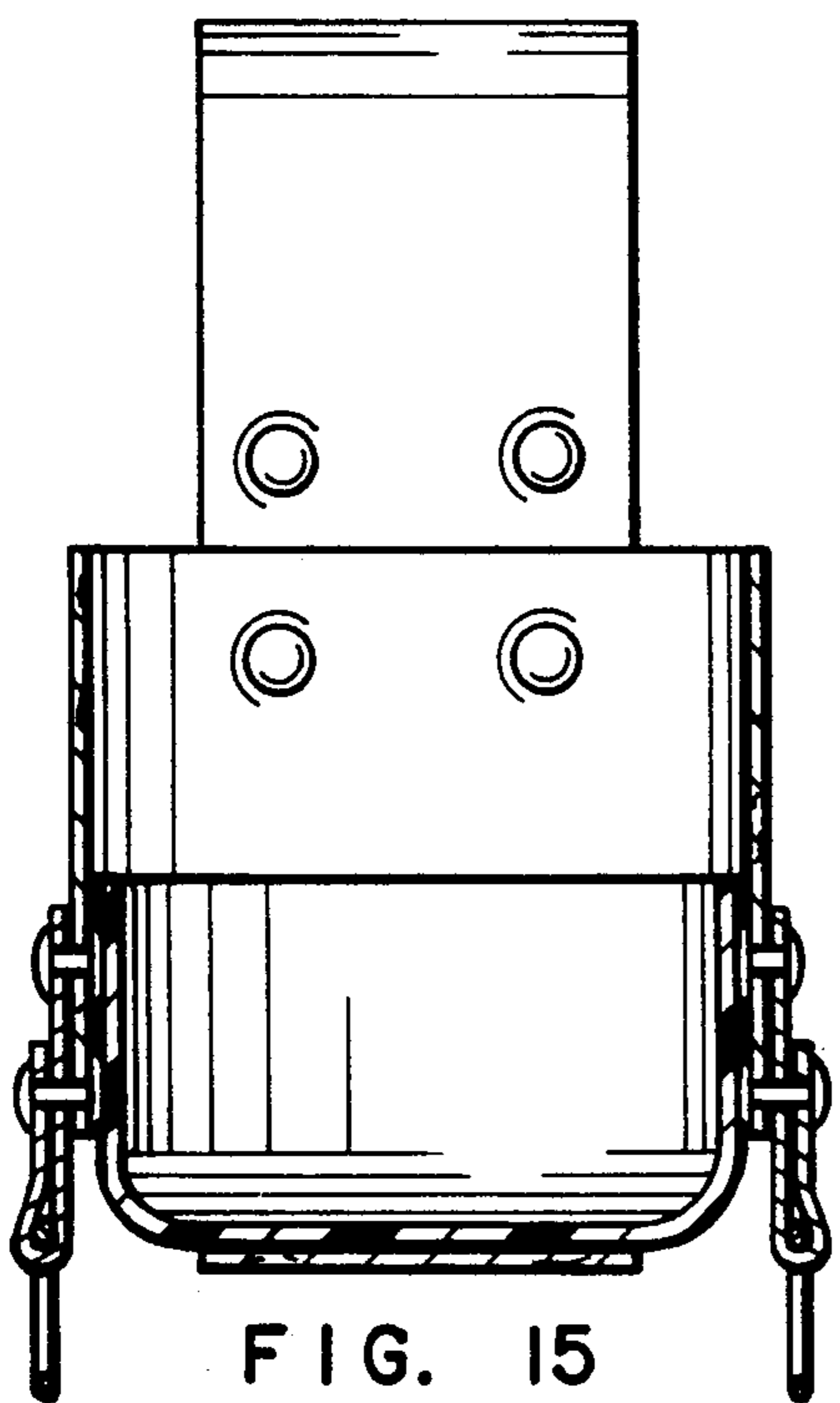


FIG. 15

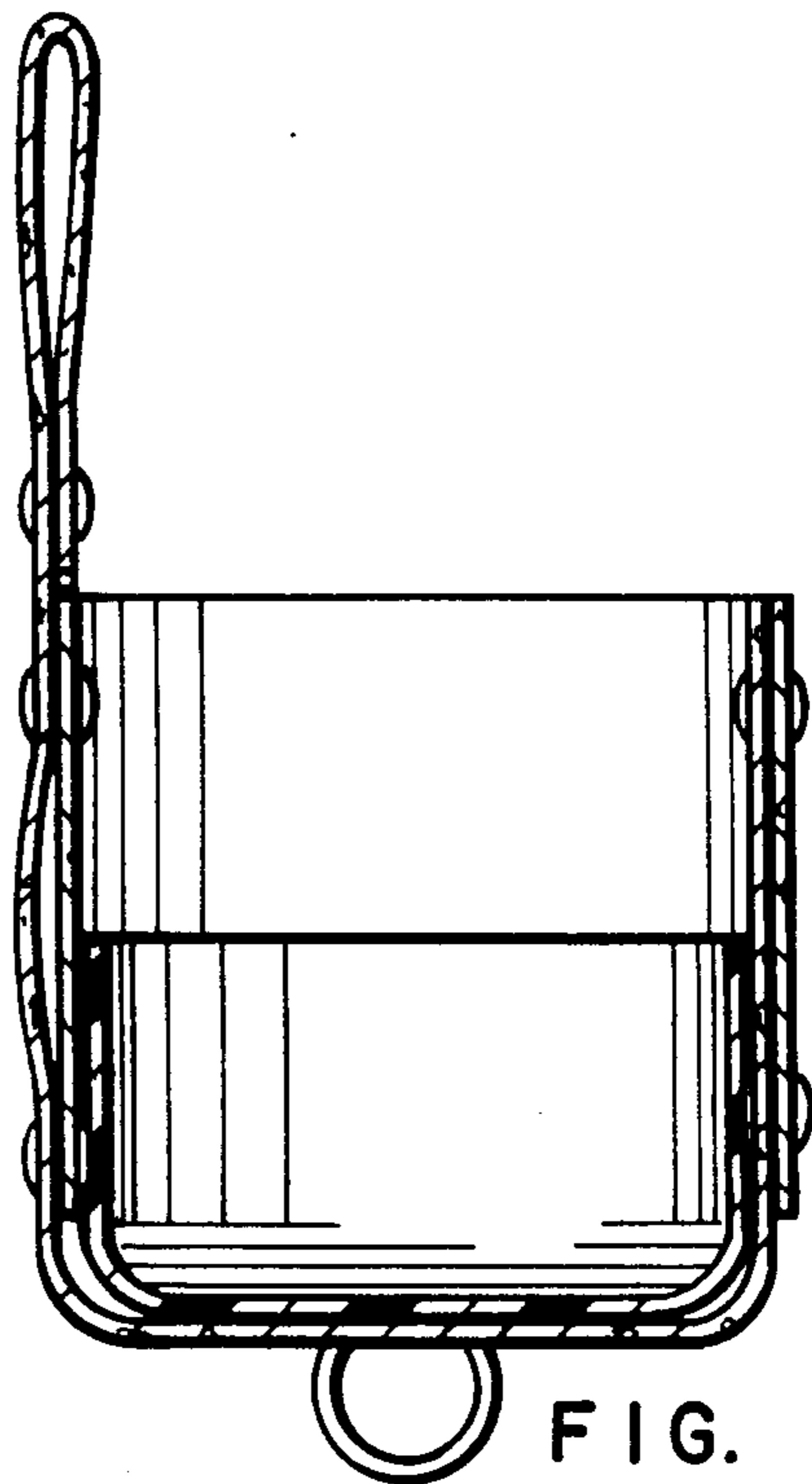


FIG. 16