

[54] FLASHLIGHT

[75] Inventor: Donald W. Zurwelle, Lutherville, Md.

[73] Assignee: Black & Decker Inc., Newark, Del.

[**] Term: 14 Years

[21] Appl. No.: 574,731

[22] Filed: Jan. 30, 1984

[52] U.S. Cl. D26/37

[58] Field of Search D26/37-50; 362/157, 158, 183-208

[56] References Cited

U.S. PATENT DOCUMENTS

Re. 29,047	11/1976	Brindley .	
D. 113,146	1/1939	Ritter .	
D. 136,756	11/1943	Barash .	
D. 137,264	2/1944	Lippincott .	
D. 175,318	8/1955	Schmidt .	
D. 180,647	7/1957	Graubner .	
D. 210,905	4/1968	Kahn .	
D. 233,908	12/1974	Brindley .	
2,493,205	1/1950	Muldoon	362/190
4,290,095	9/1981	Schmidt	362/191
4,432,041	2/1984	Pfisterer et al. .	

Primary Examiner—Susan J. Lucas

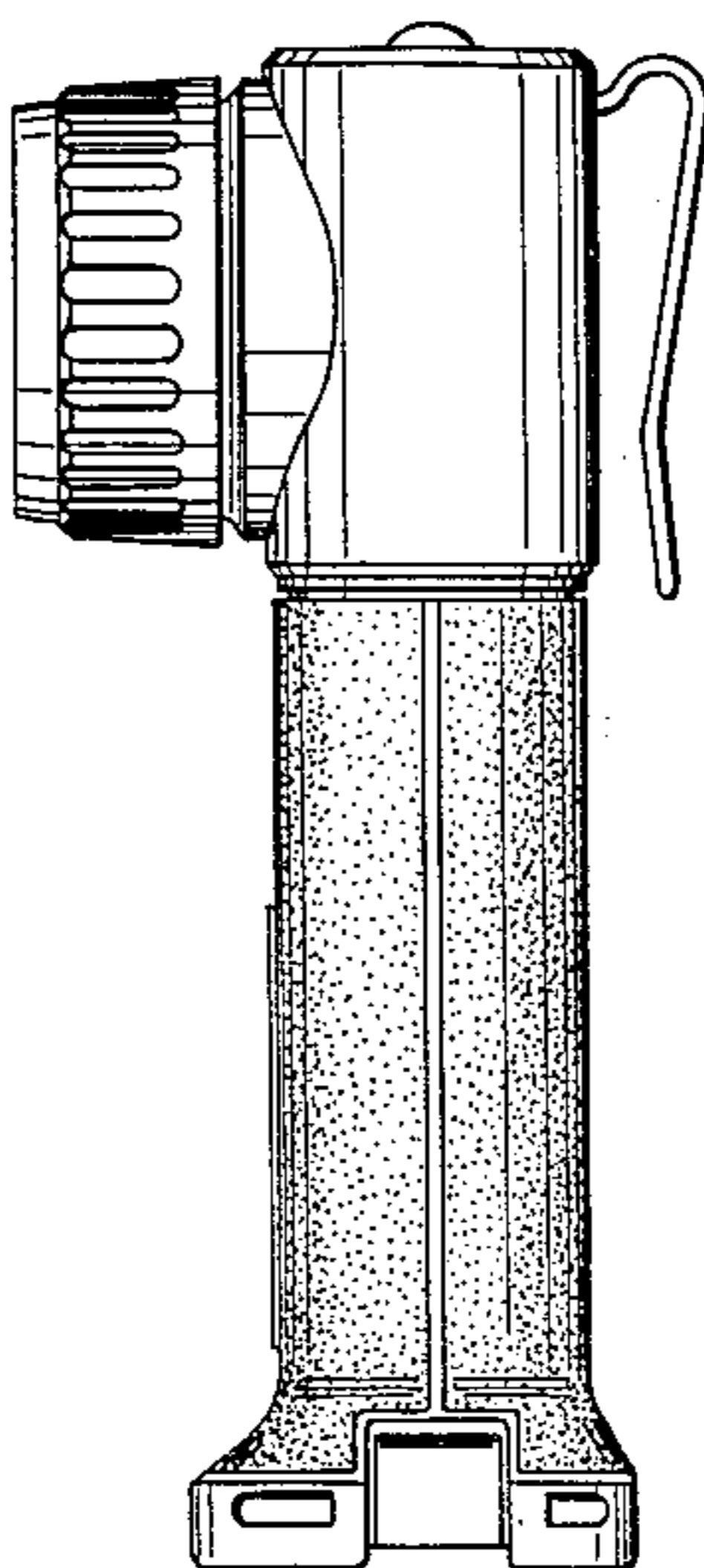
Attorney, Agent, or Firm—Ronald B. Sherer; Harold Weinstein; Edward D. Murphy

[57] CLAIM

The ornamental design for a flashlight, as shown and described.

DESCRIPTION

FIG. 1 is a left front perspective view of my new design for a flashlight;
 FIG. 2 is a left side elevational view thereof on an enlarged scale;
 FIG. 3 is a right side elevational view thereof on an enlarged scale;
 FIG. 4 is a front elevational view thereof on an enlarged scale;
 FIG. 5 is a rear elevational view thereof on an enlarged scale;
 FIG. 6 is a top plan view thereof on an enlarged scale;
 FIG. 7 is a bottom plan view thereof on an enlarged scale;
 FIG. 8 is a left side elevational view of another embodiment of my new design for a flashlight;
 FIG. 9 is a right side elevational view thereof;
 FIG. 10 is a front elevational view thereof;
 FIG. 11 is a rear elevational view thereof.
 The portions of the embodiment of FIGS. 8 through 11 not shown in these views are identical to those shown in FIGS. 6 and 7.



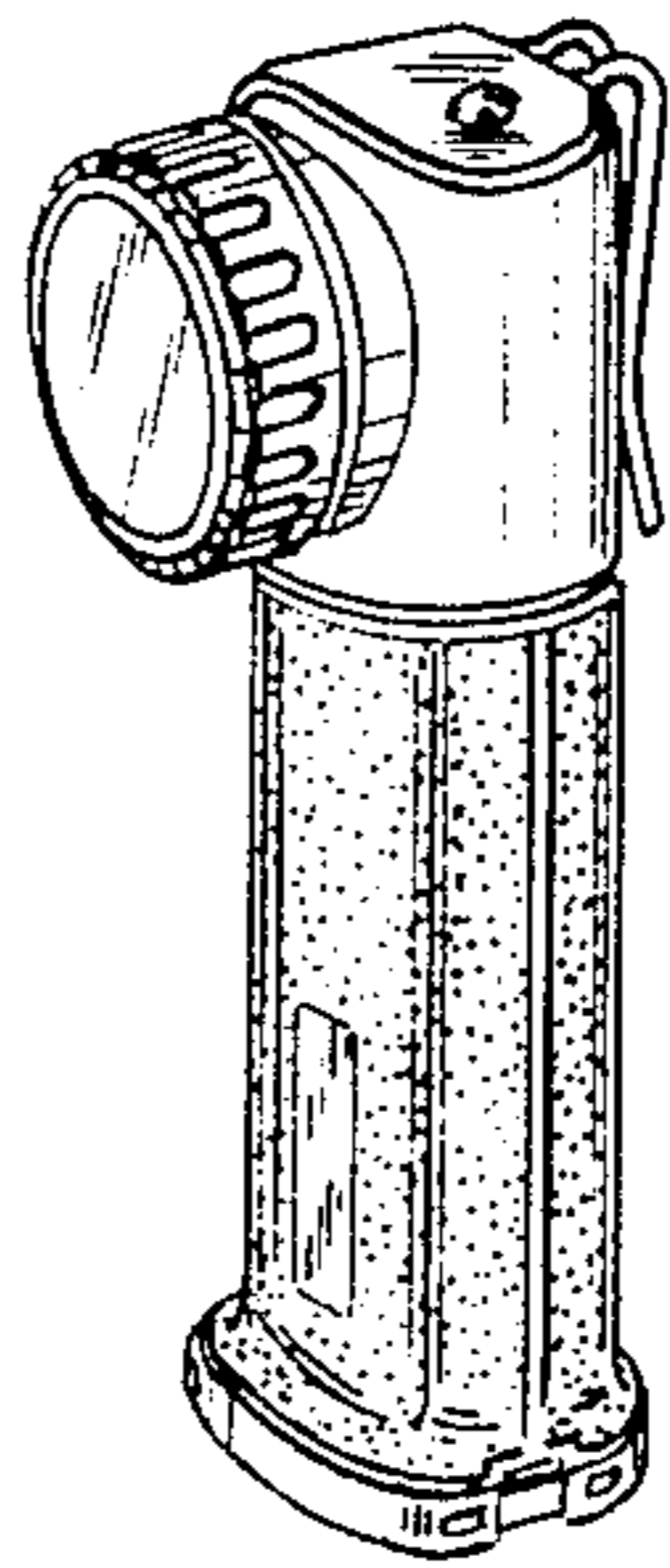


FIG. 1

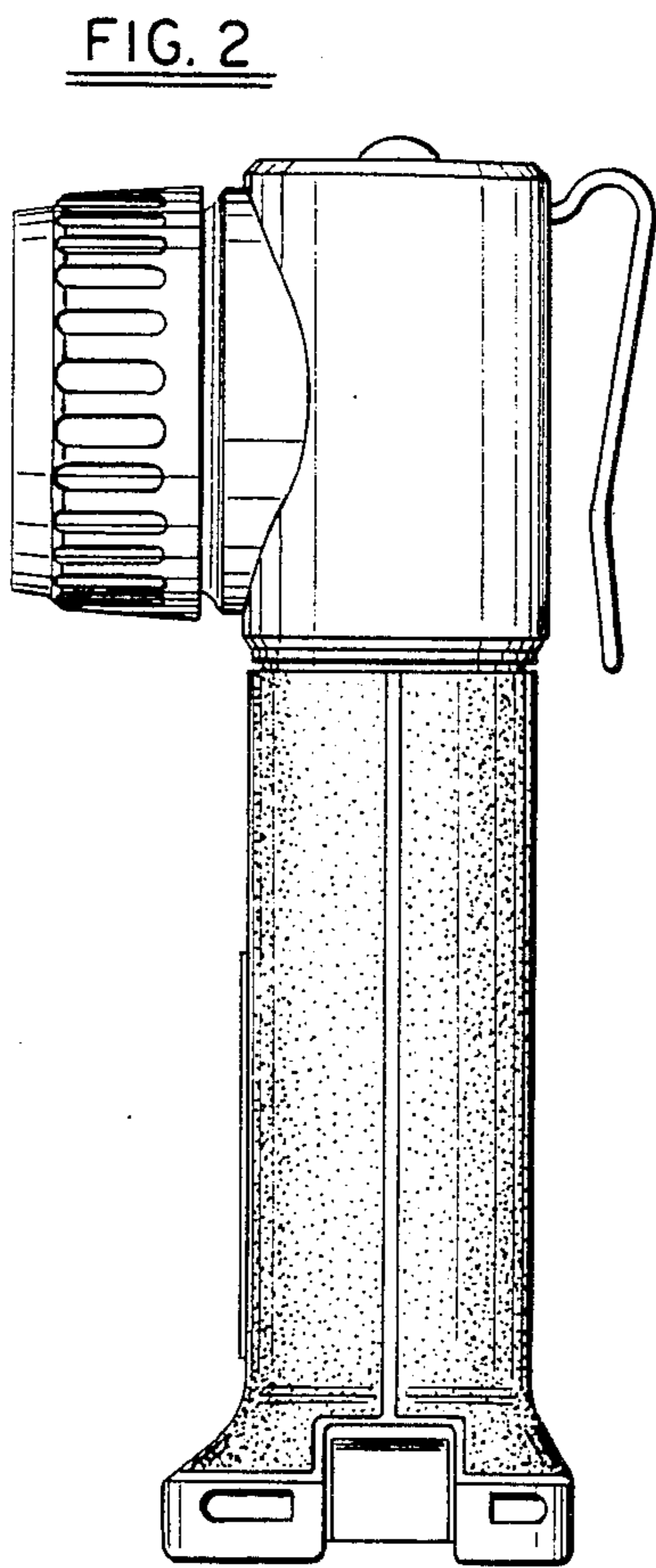


FIG. 2

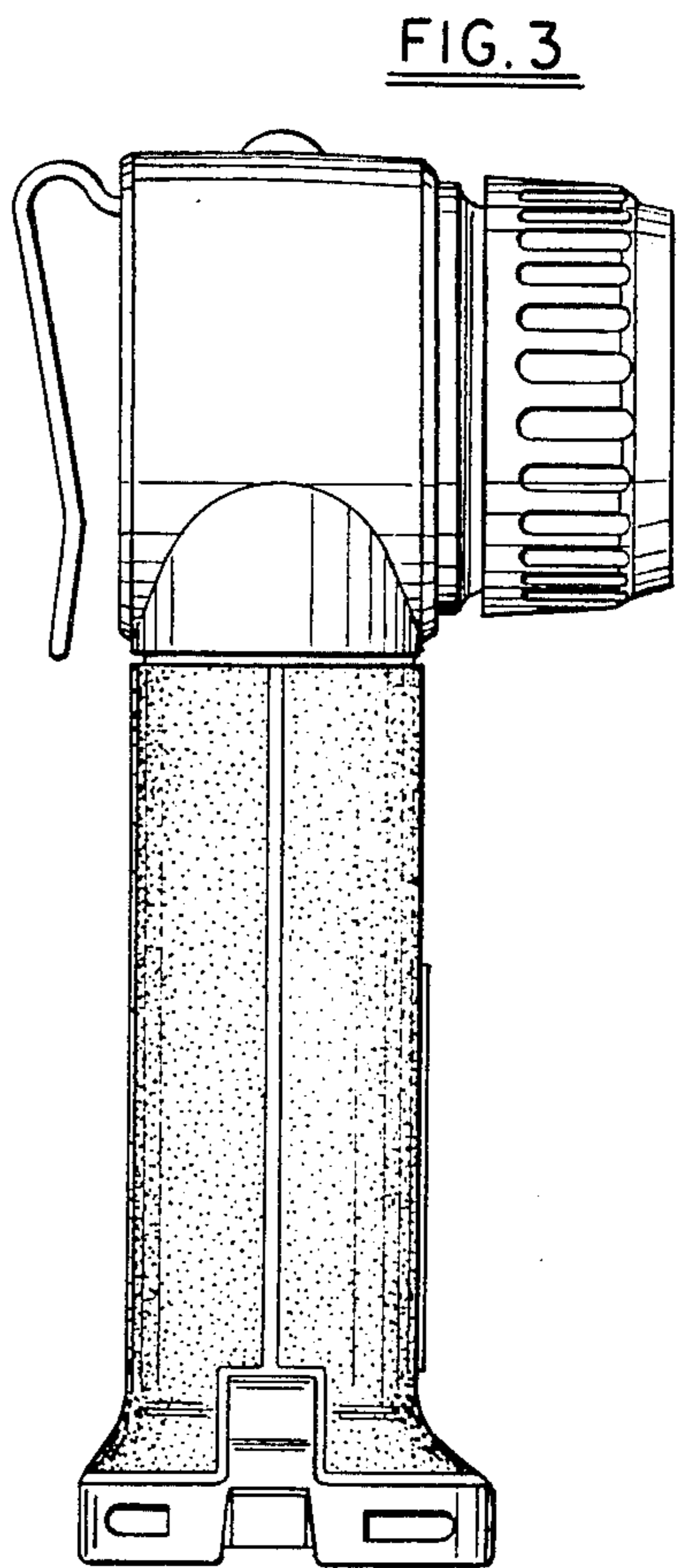


FIG. 3

FIG. 4

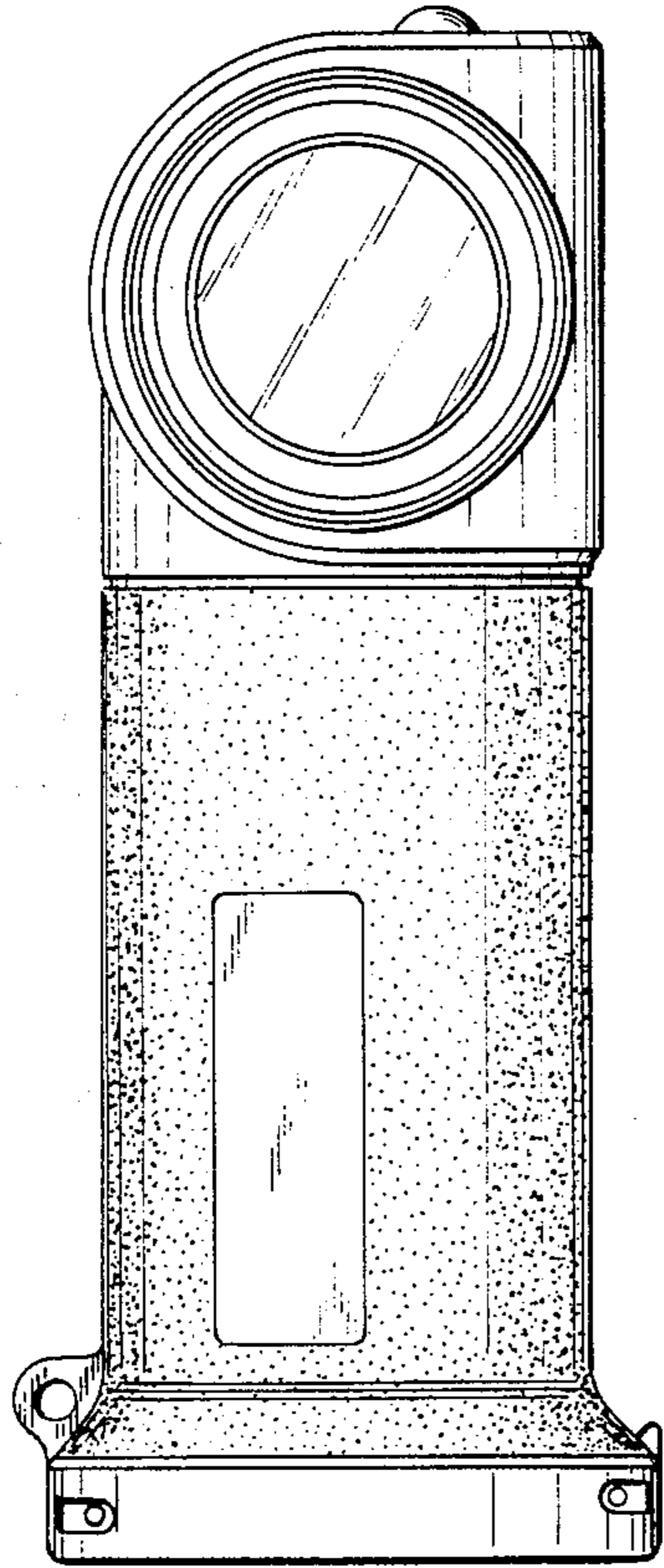


FIG. 5

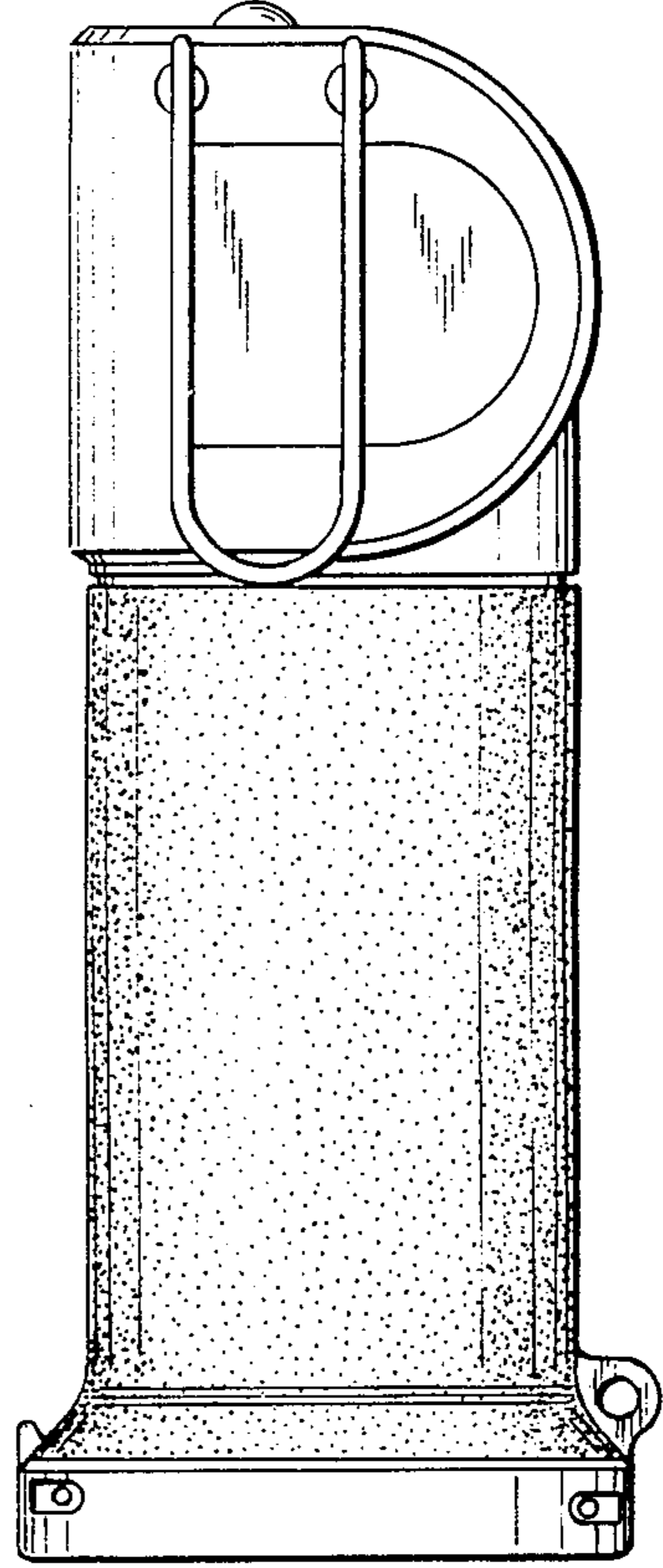


FIG. 6

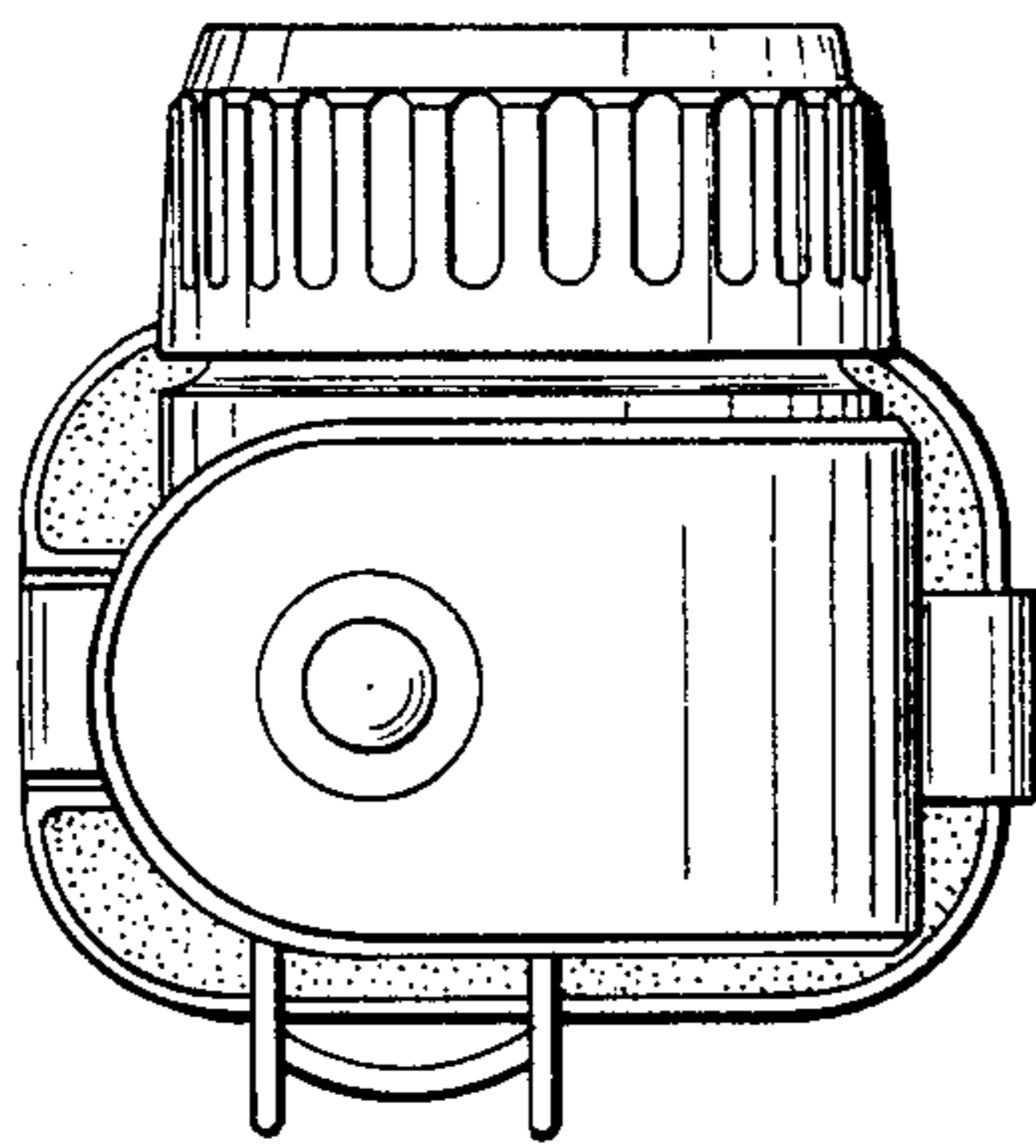


FIG. 7

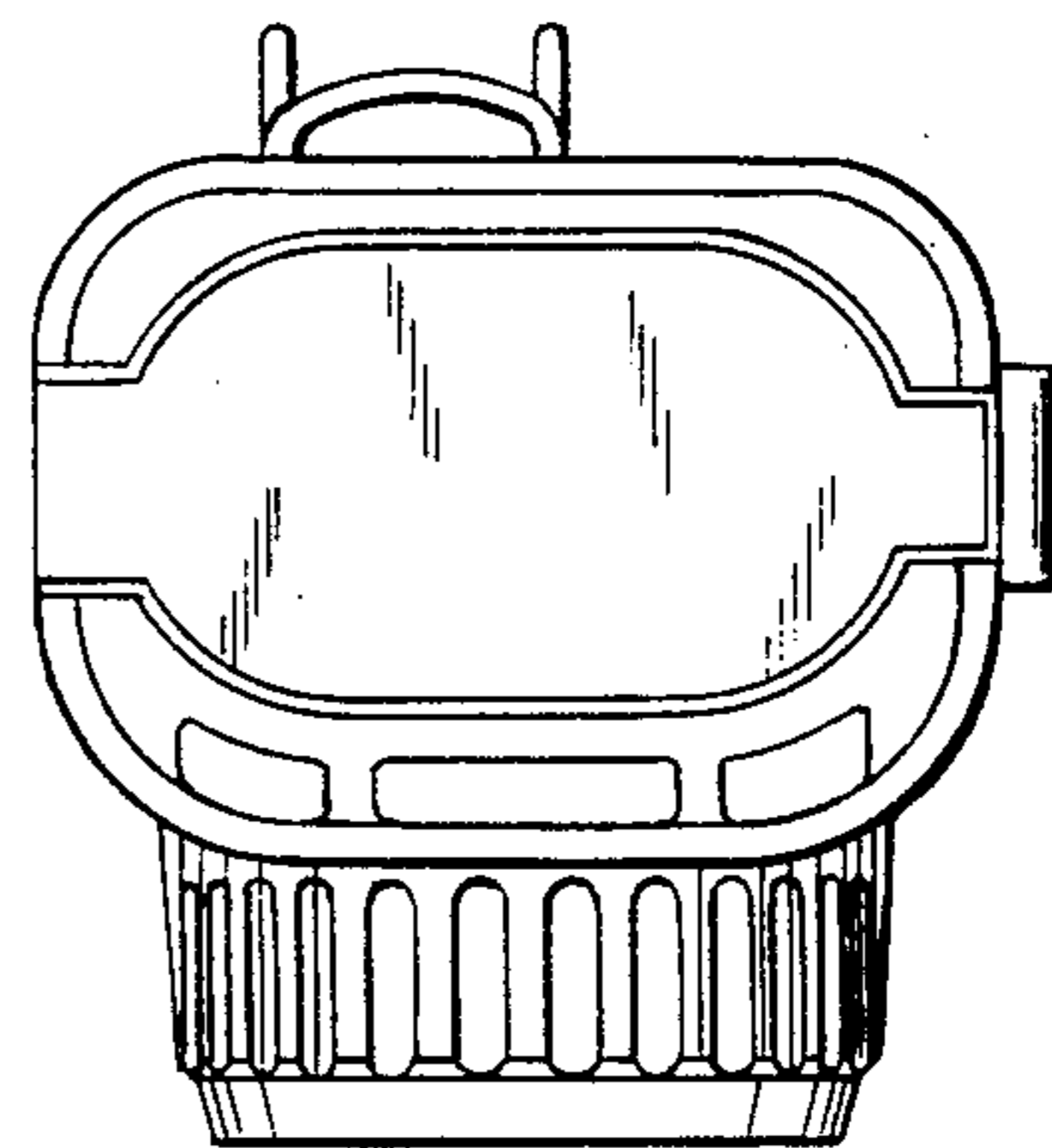


FIG. 8

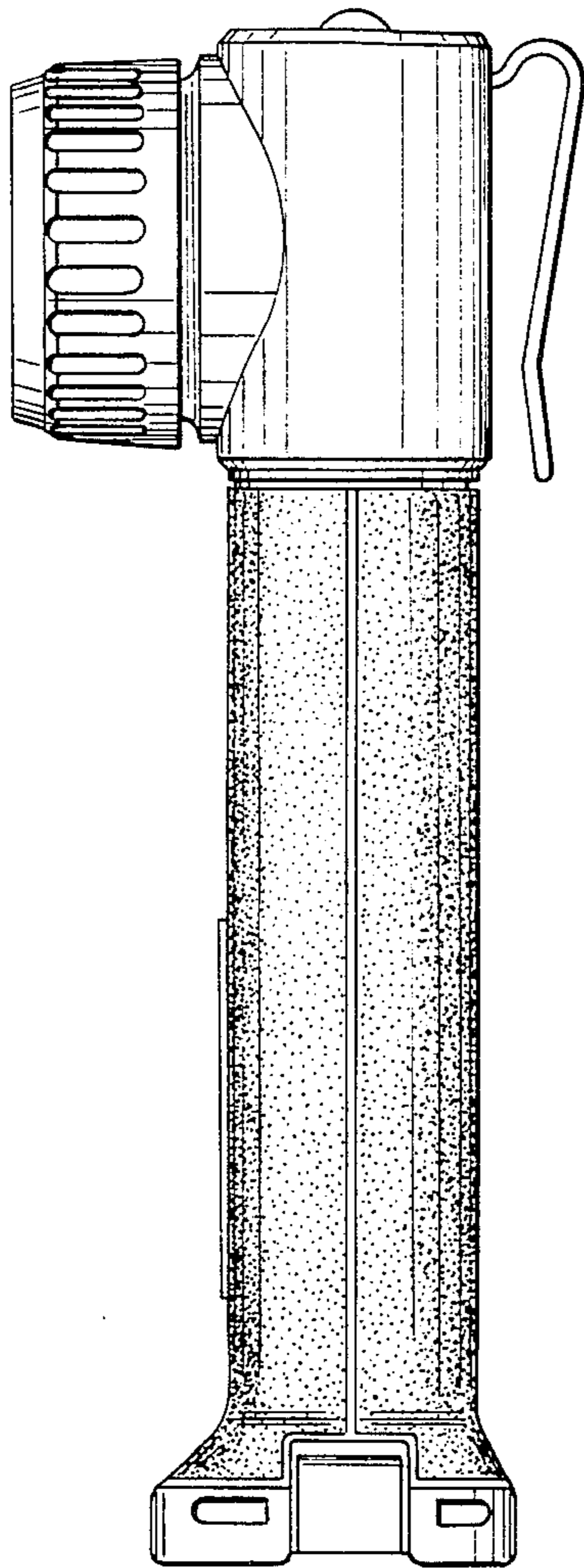


FIG. 9

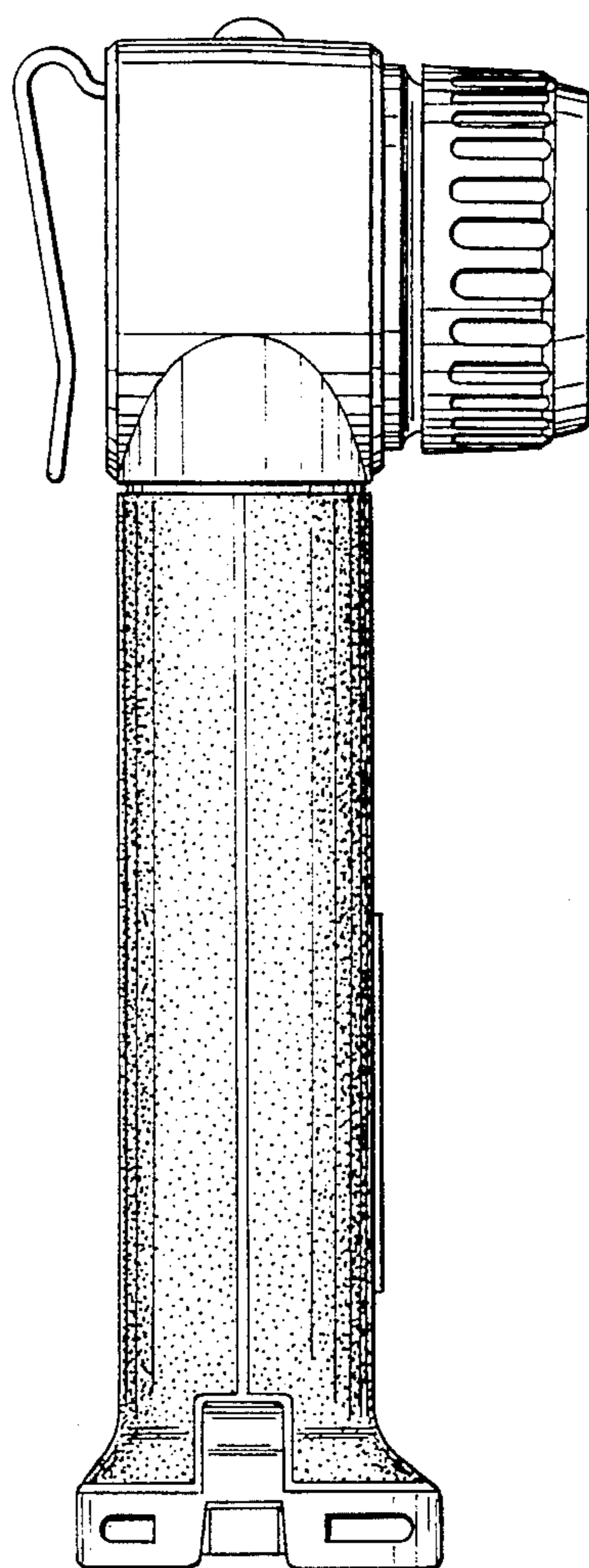


FIG. 10

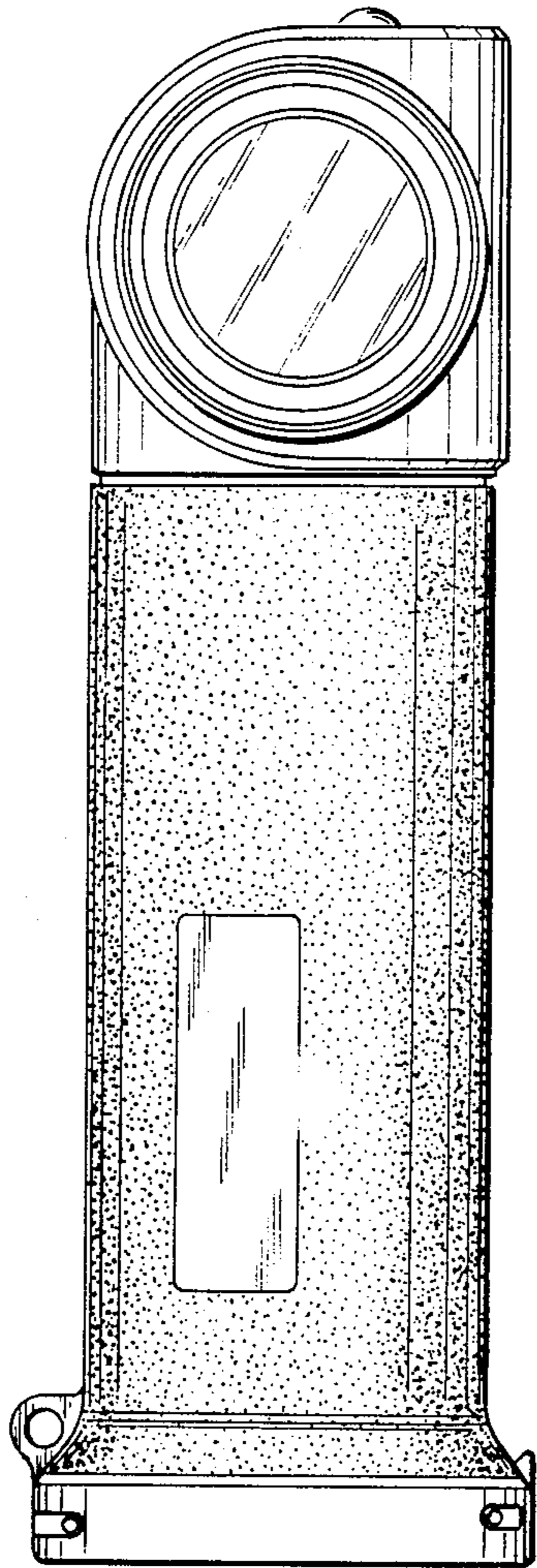


FIG. 11

