

[54] DENTAL COMPOSITE UNIT DOSE CONTAINER WITH BREAKAWAY MIXING STICK

[75] Inventors: Robert D. Holewinski, Lakehurst; Leslie Hamilton, Trenton; William J. Blatherwick, Hamilton Square, all of N.J.

[73] Assignee: Johnson & Johnson Dental Products Company, East Windsor, N.J.

[**] Term: 14 Years

[21] Appl. No.: 460,978

[22] Filed: Jan. 26, 1983

[52] U.S. Cl. D24/16; D24/31; D9/337; D9/338

[58] Field of Search D24/8, 10, 16, 17, 31, D24/63, 99; D9/341, 344, 337, 338, 347, 424, 425; 206/219, 568, 570, 572, 229, 530, 528, 531, 532, 538, 539, 438, 635, 363, 368, 828, 557, 561, 564

[56] References Cited

U.S. PATENT DOCUMENTS

- D. 216,099 11/1969 Ely D9/337
- D. 234,261 2/1975 Walton D24/17
- D. 256,502 8/1980 Borg et al. D24/17

- D. 263,074 2/1982 Mason D24/17
- D. 274,259 6/1984 Hamilton et al. D24/16
- D. 275,517 9/1984 Hamilton et al. D24/16
- 2,902,146 9/1959 Doherty 206/363 X
- 3,086,647 4/1963 Krezanoski 206/363
- 3,618,751 11/1971 Rich 206/363 X
- 3,835,834 9/1974 Brown et al. 206/229 X
- 3,917,062 11/1975 Winters 206/219
- 3,963,120 6/1976 Perfect 206/219
- 4,324,331 4/1982 Ignasiak 206/363

Primary Examiner—Catherine E. Kemper
Attorney, Agent, or Firm—Charles J. Metz

[57] CLAIM

The ornamental design for a dental composite unit dose container with breakaway mixing stick, as shown.

DESCRIPTION

FIG. 1 is a top perspective view of a dental composite unit dose container with breakaway mixing stick, showing our new design;
 FIG. 2 is a bottom perspective view thereof;
 FIG. 3 is a side elevational view thereof;
 FIG. 4 is a top plan view thereof;
 FIG. 5 is an elevational view of the side opposite that shown in FIG. 3;
 FIG. 6 is a bottom plan view thereof;
 FIG. 7 is a front elevational view thereof;
 FIG. 8 is a rear elevational view thereof.

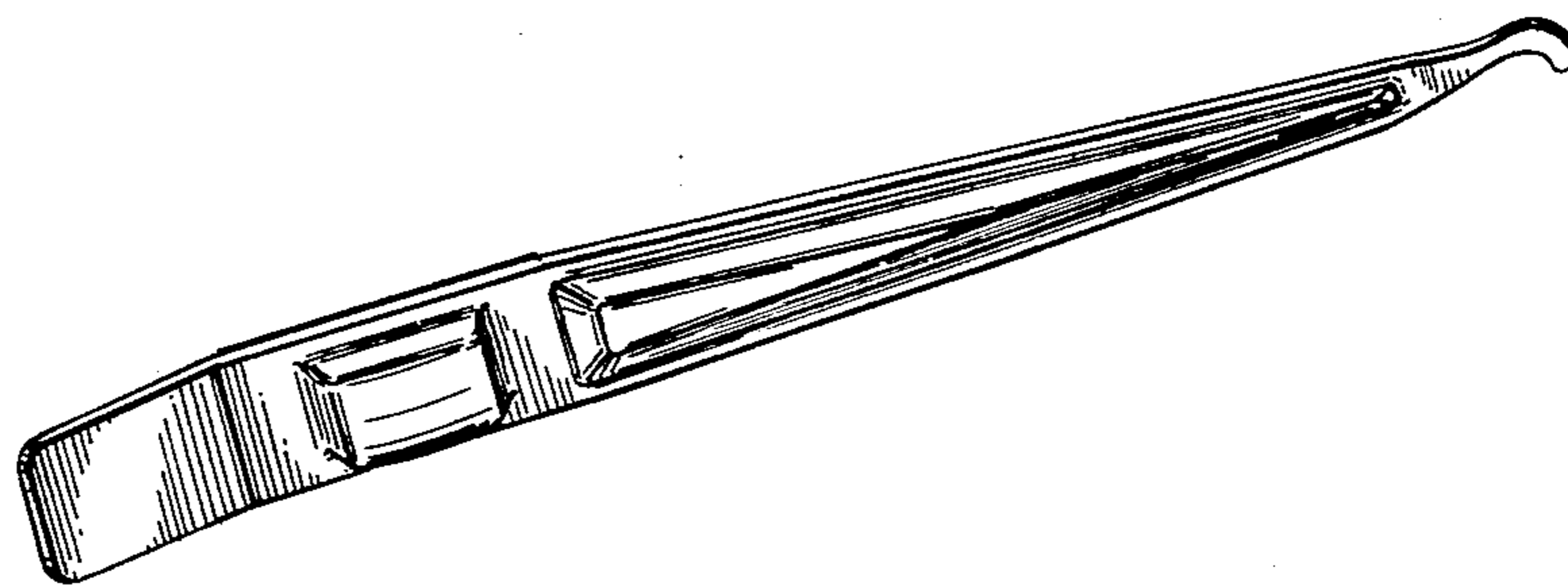
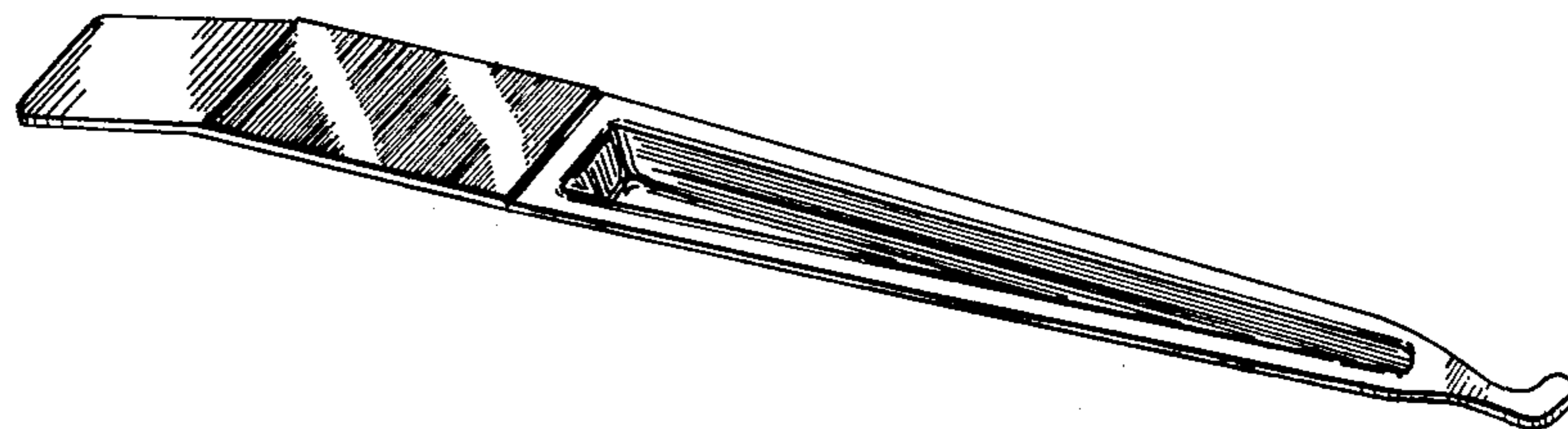


FIG-1

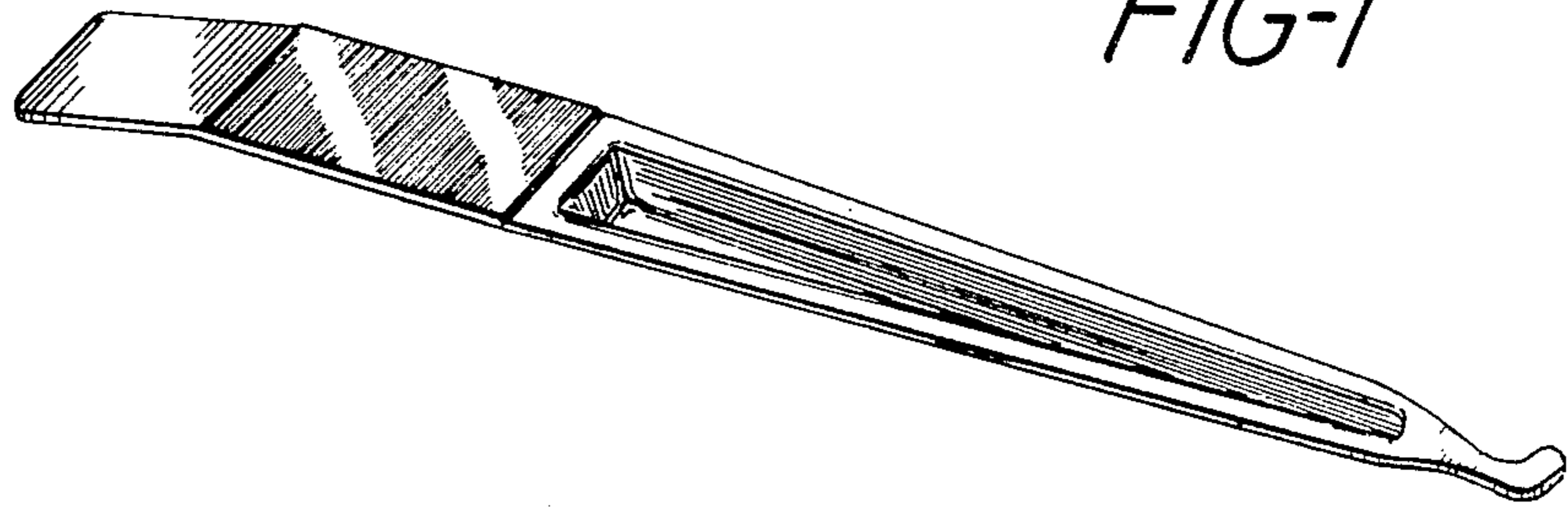


FIG-2

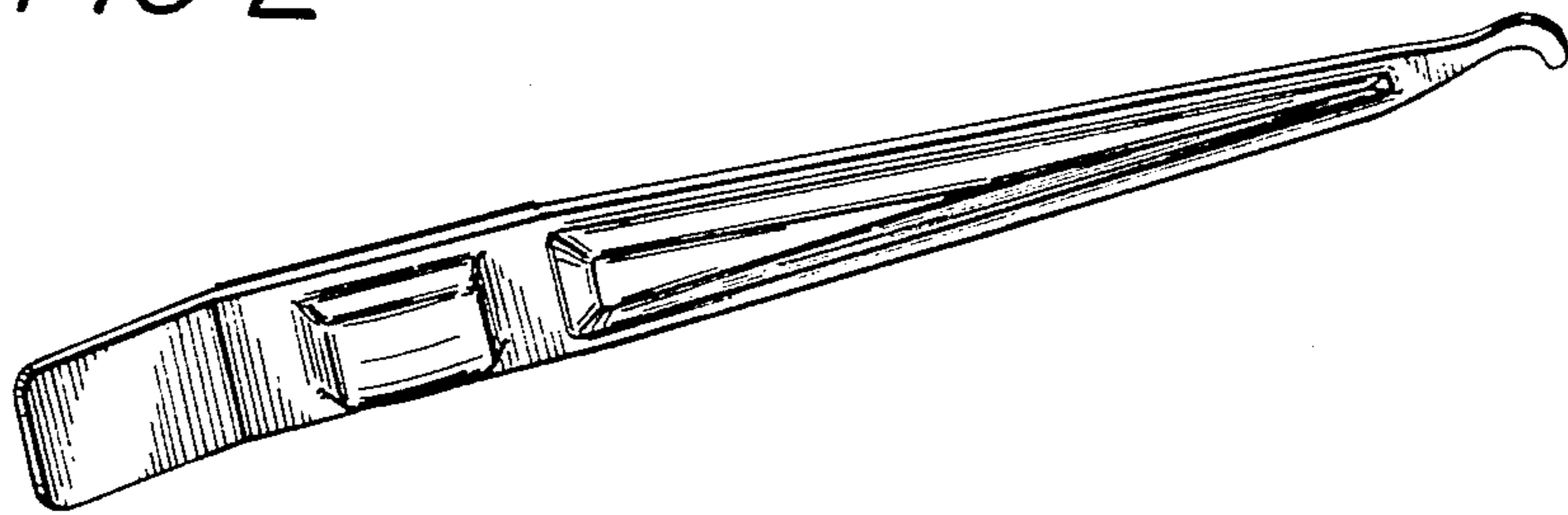


FIG-3

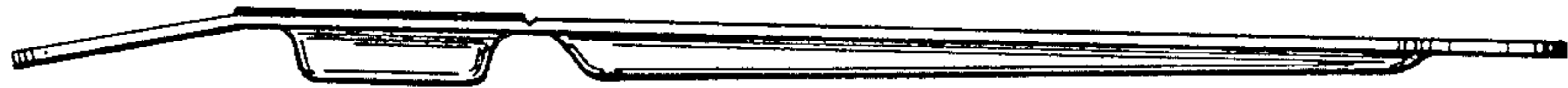


FIG-4

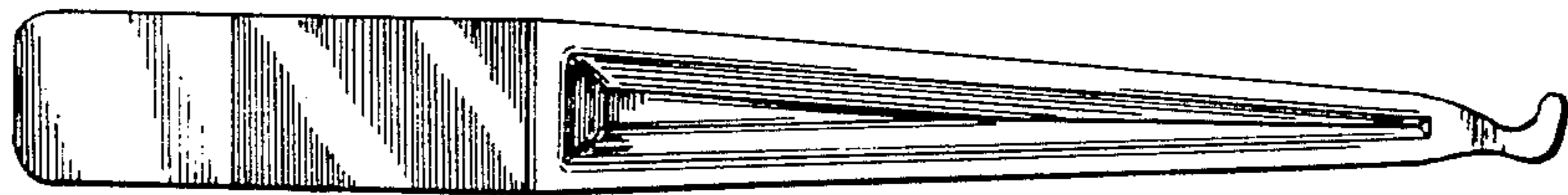


FIG-5

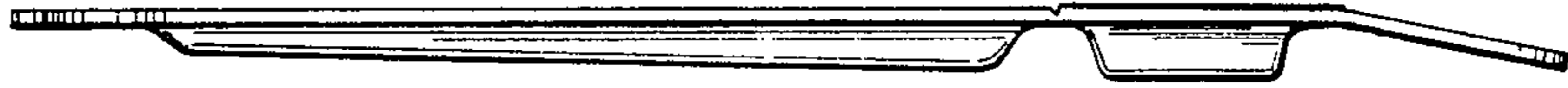


FIG-6



FIG-7



FIG-8

