

[54] **CONTACT LENS HEATING DEVICE**

[75] Inventors: **Richard M. Franczak**, Laurence Harbor, N.J.; **Joseph N. Casale**, Brooklyn, N.Y.

[73] Assignee: **Barnes-Hind, Inc.**, Sunnyvale, Calif.

[\*\*] Term: **14 Years**

[21] Appl. No.: **496,754**

[22] Filed: **May 20, 1983**

[52] U.S. Cl. .... **D24/9**

[58] Field of Search ..... **D24/9, 99; 422/292, 422/293, 297, 299, 300, 307; 219/381, 386, 521; 206/5.1**

[56] **References Cited**

**U.S. PATENT DOCUMENTS**

D. 257,174	9/1980	Thomas	.....	D24/9
D. 257,487	11/1980	Thomas	.....	D24/9
D. 257,488	11/1980	Thomas	.....	D24/9
D. 261,550	10/1981	Thomas et al.	.....	D24/9
D. 264,377	5/1982	Thomas et al.	.....	D24/9
D. 269,999	8/1983	Hoogesteger	.....	D24/9
4,044,226	8/1977	Kadlecik et al.	.....	219/521

4,235,842	11/1980	Thomas et al.	.....	422/307 X
4,242,572	12/1980	Thomas et al.	.....	219/521
4,256,952	3/1981	Thomas et al.	.....	219/521
4,307,289	12/1981	Thomas et al.	.....	219/521
4,379,965	4/1983	Dounce et al.	.....	219/521

*Primary Examiner*—Catherine E. Kemper

[57] **CLAIM**

The ornamental design for a contact lens heating device, as shown and described.

**DESCRIPTION**

FIG. 1 is a perspective view of the contact lens heating device, with its lid in the closed position, showing our new design;

FIG. 2 is a side elevational view taken from the left side of FIG. 1;

FIG. 3 is a front elevational view thereof;

FIG. 4 is a rear elevational view thereof;

FIG. 5 is an elevational view of the side opposite that shown in FIG. 2;

FIG. 6 is a top plan view thereof;

FIG. 7 is a bottom plan view thereof; and

FIG. 8 is a perspective view of a contact lens heating device, shown with the lid open.

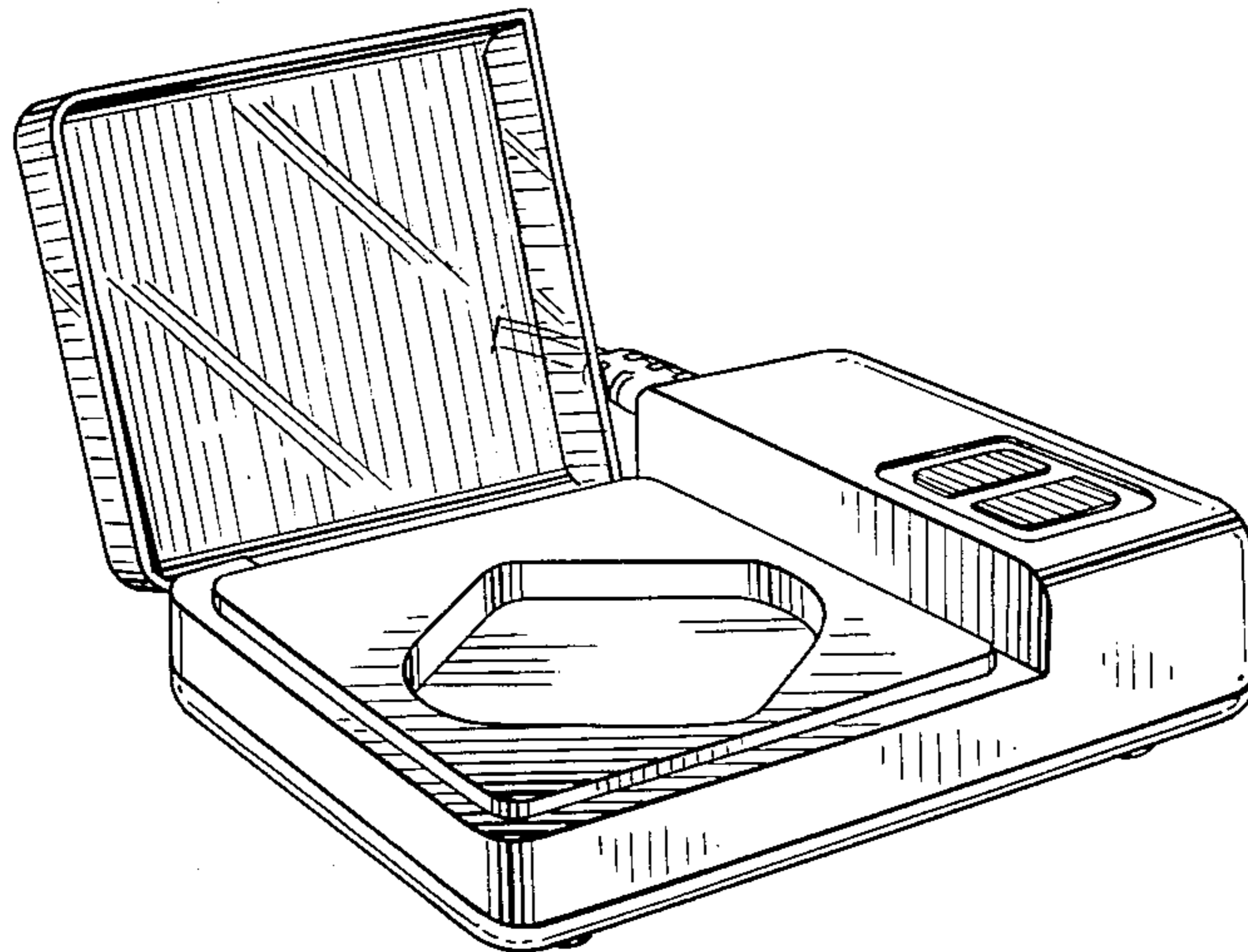


Fig. 1.

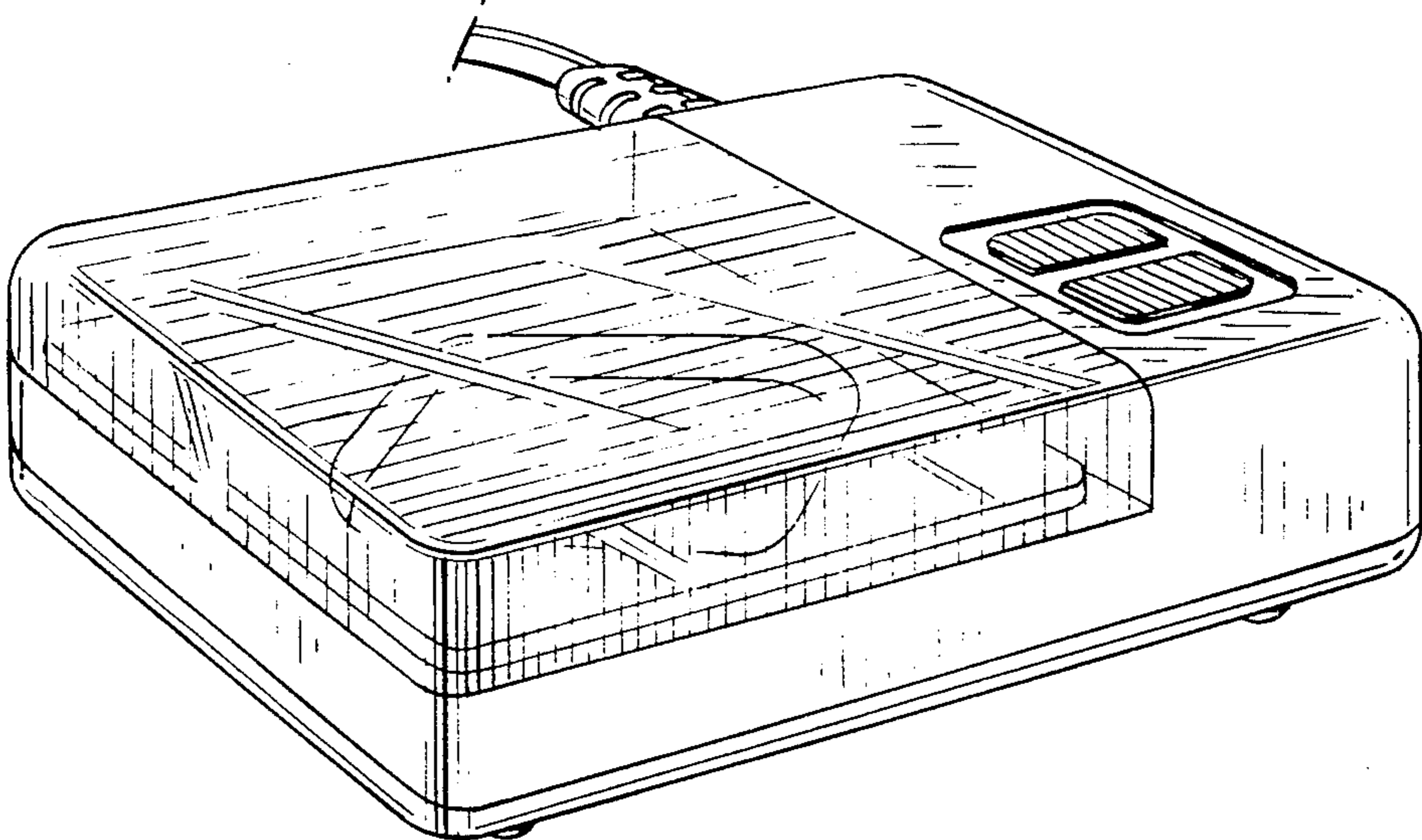


Fig. 2.

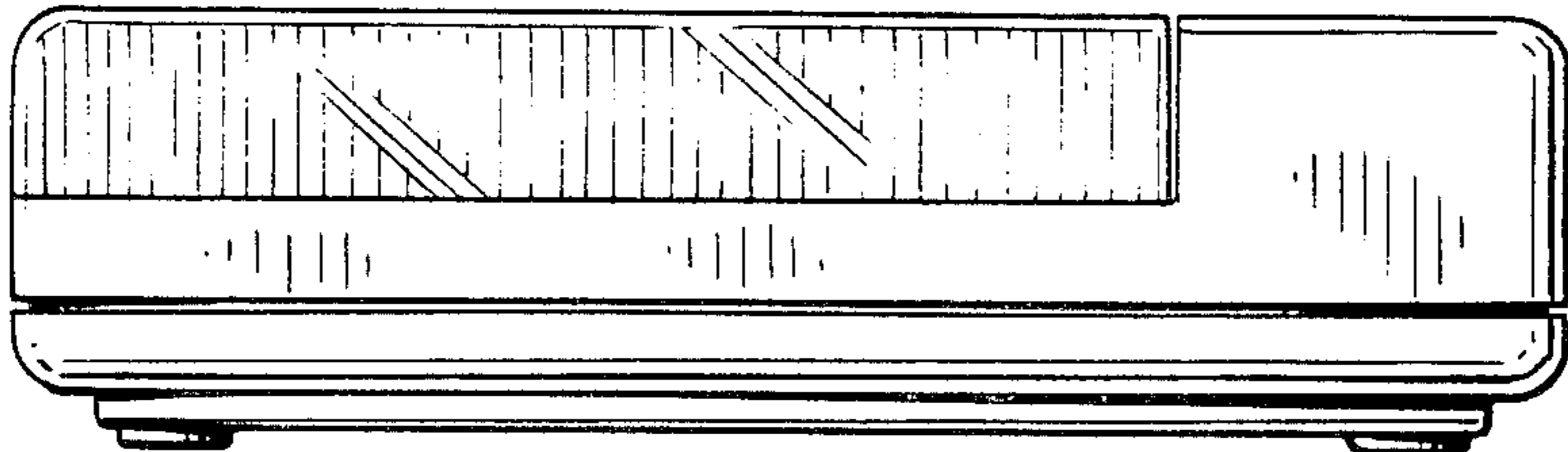
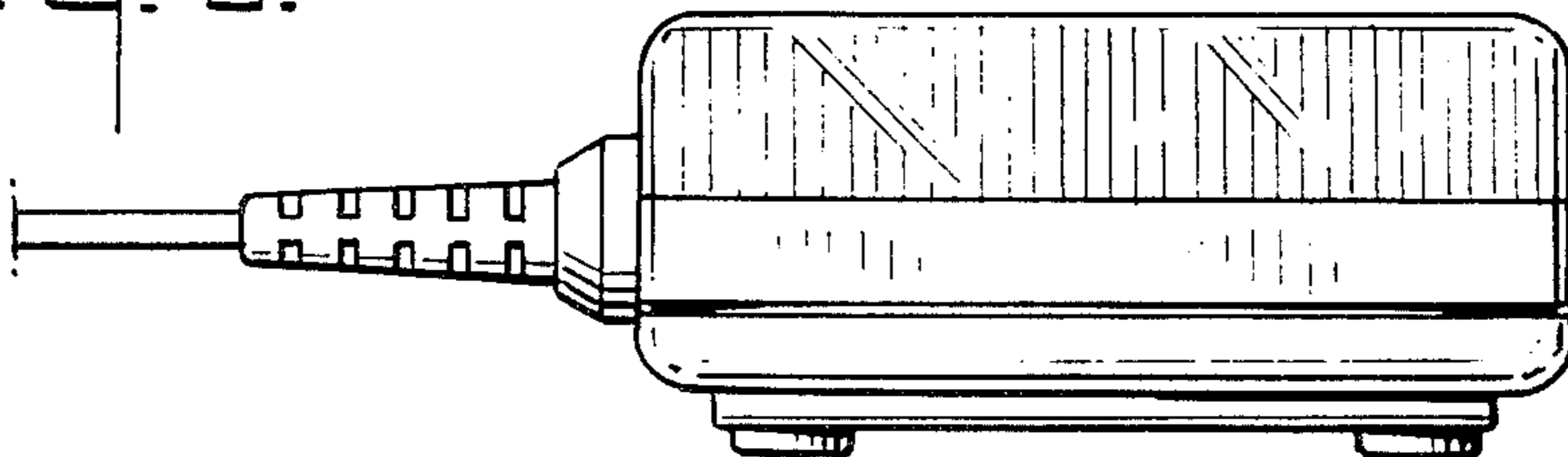


Fig. 3.

Fig. 4.

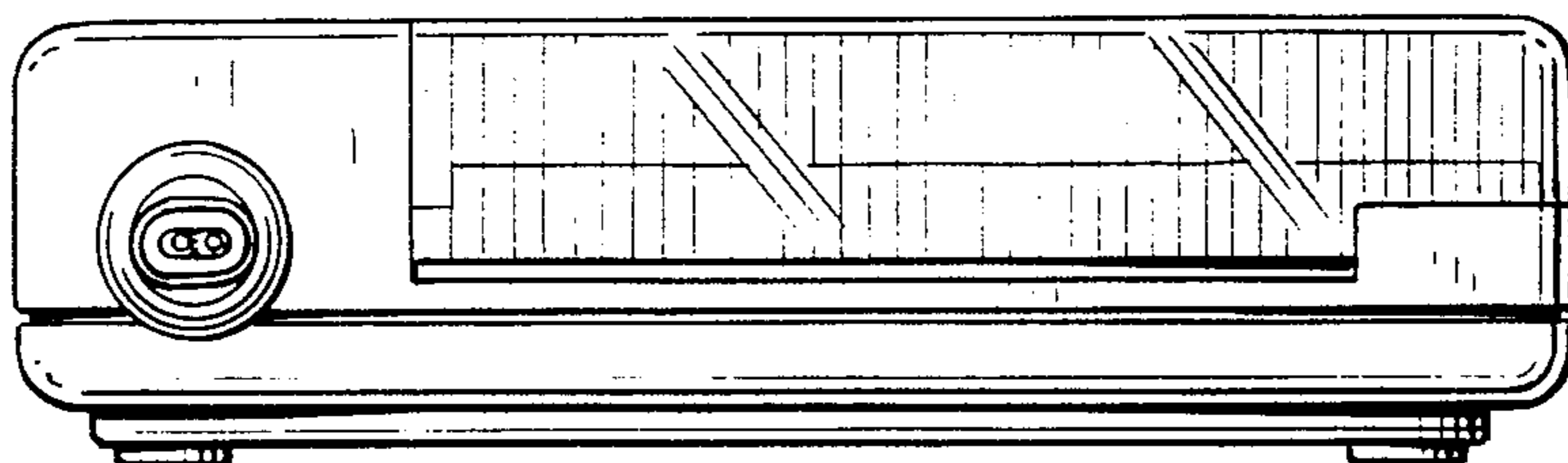


Fig. 5.

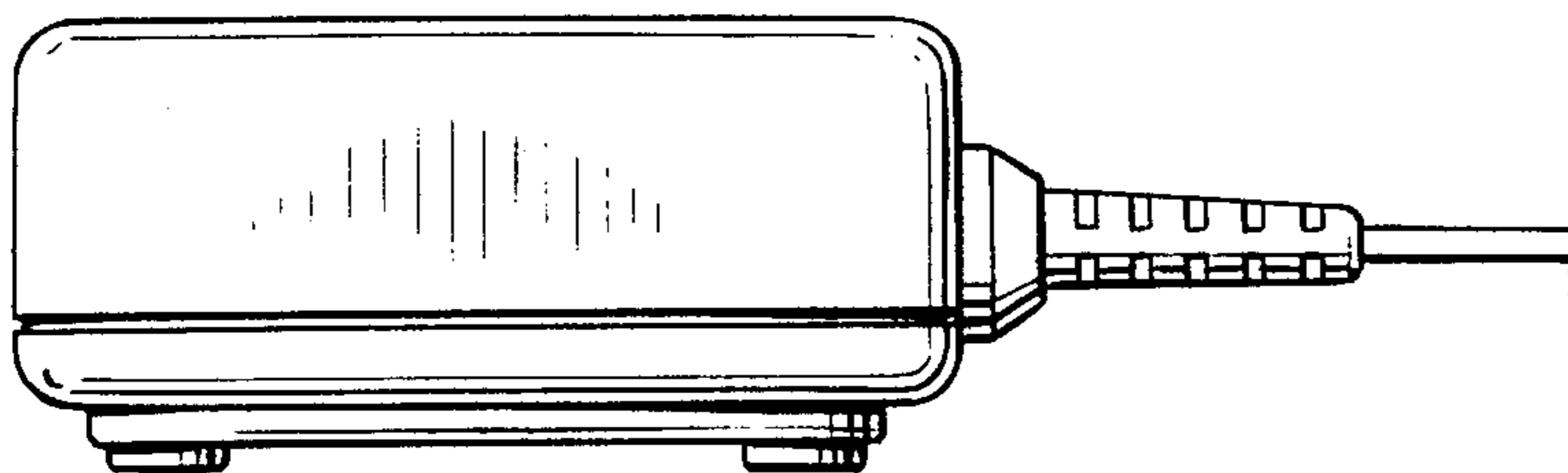


Fig. 6.

