

[54] **SPACE HEATER**

[56] **References Cited**

[75] **Inventor: Paul V. Horst, Sr., Boulder, Colo.**

**U.S. PATENT DOCUMENTS**

D. 226,195 1/1973 Baugh et al. .... D23/124

[73] **Assignee: Crockett & Kelly, Inc., Erie, Colo.**

*Primary Examiner*—Catherine E. Kemper  
*Attorney, Agent, or Firm*—Edwin L. Spangler, Jr.

[\*\*] **Term: 14 Years**

[57] **CLAIM**

The ornamental design for a space heater, as shown and described.

[21] **Appl. No.: 455,936**

**DESCRIPTION**

[22] **Filed: Jan. 6, 1983**

FIG. 1 is a perspective view of a space heater, showing my new design;

FIG. 2 is a left side elevation thereof;

FIG. 3 is a rear elevation thereof;

FIG. 4 is a top plan view thereof;

FIG. 5 is a bottom plan view thereof;

FIG. 6 is a front elevation thereof; and,

FIG. 7 is a right side elevation thereof.

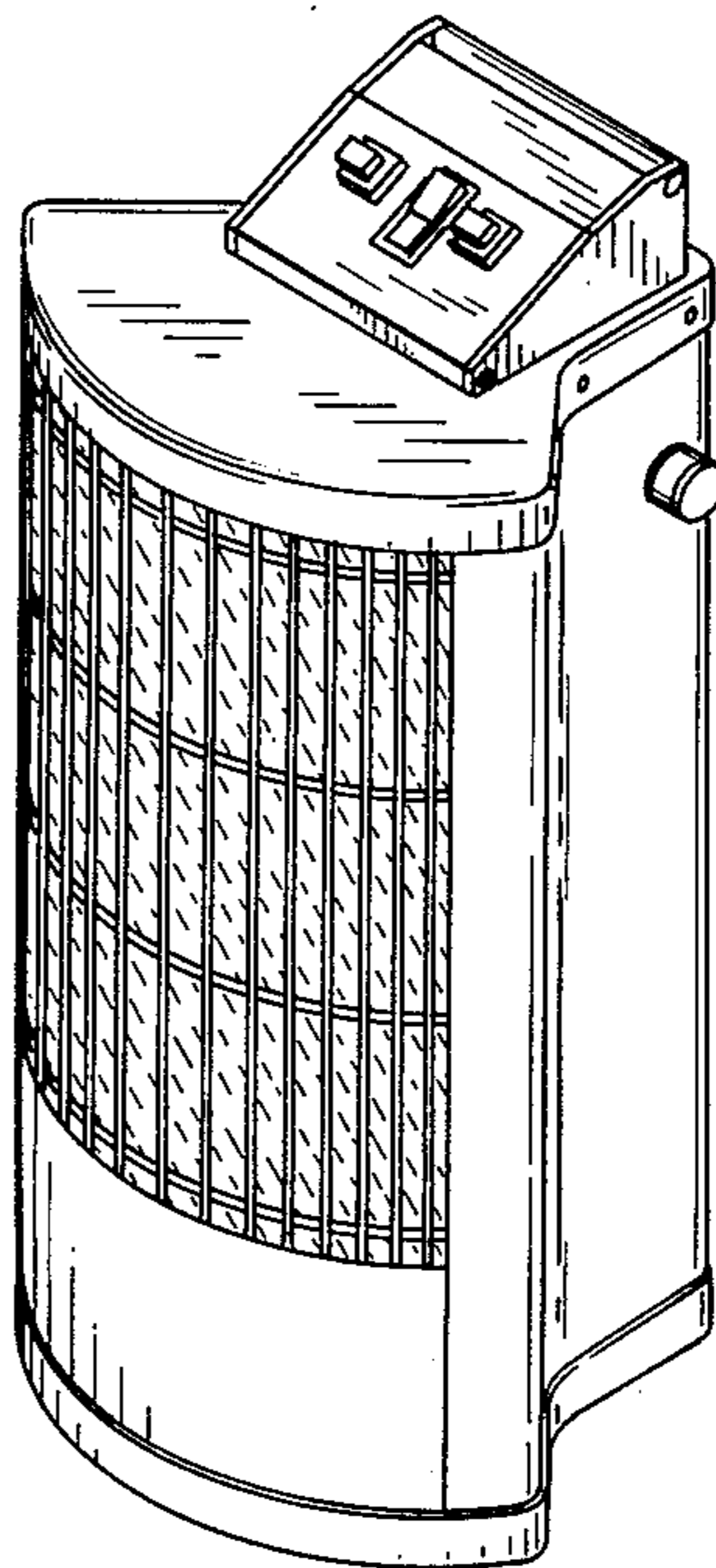
The conventional electrical cord is shown fragmentarily in FIGS. 2-5 for ease of illustration.

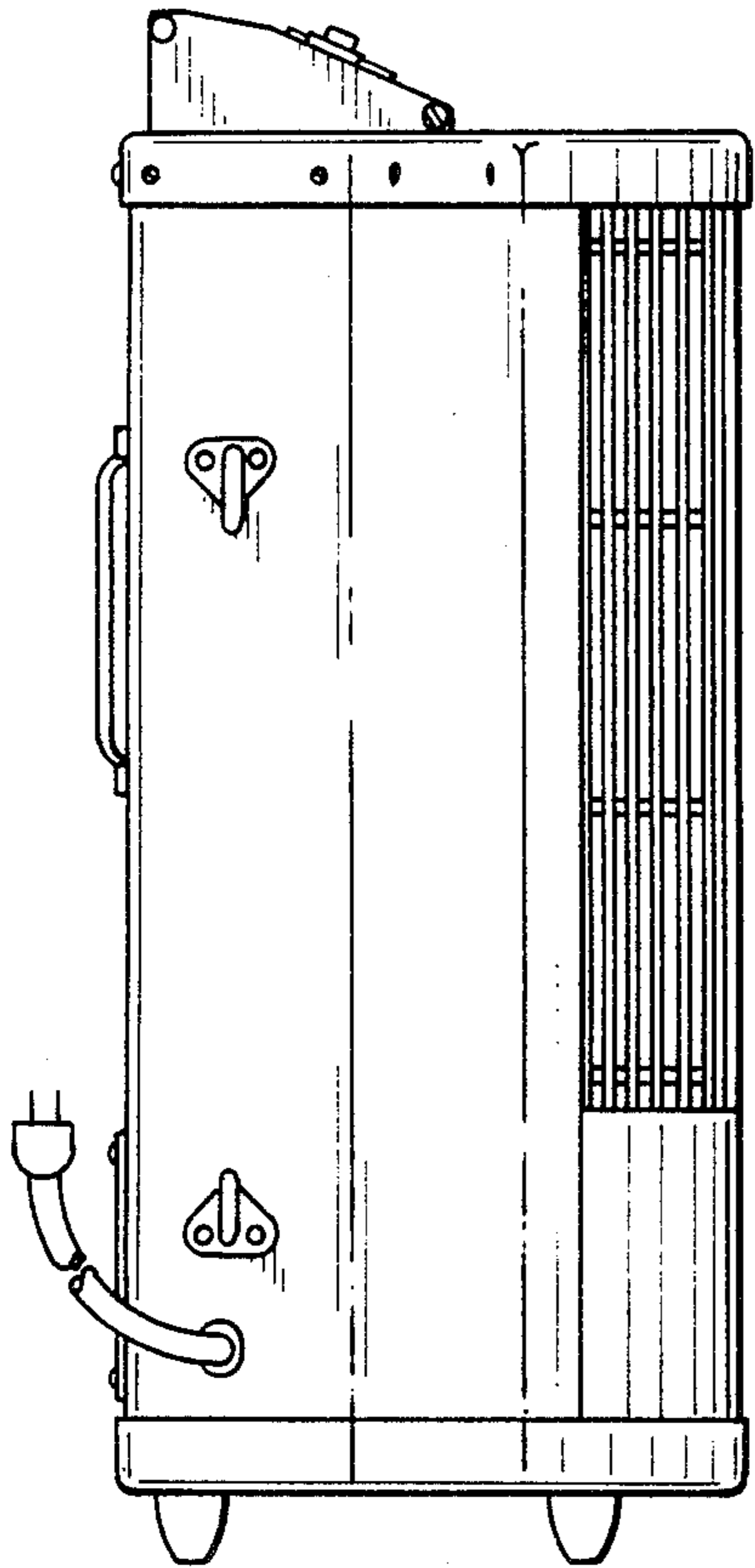
**Related U.S. Application Data**

[63] Continuation-in-part of Ser. No. 434,069, Oct. 13, 1982, Pat. No. Des. 277,780.

[52] **U.S. Cl.** ..... D23/122

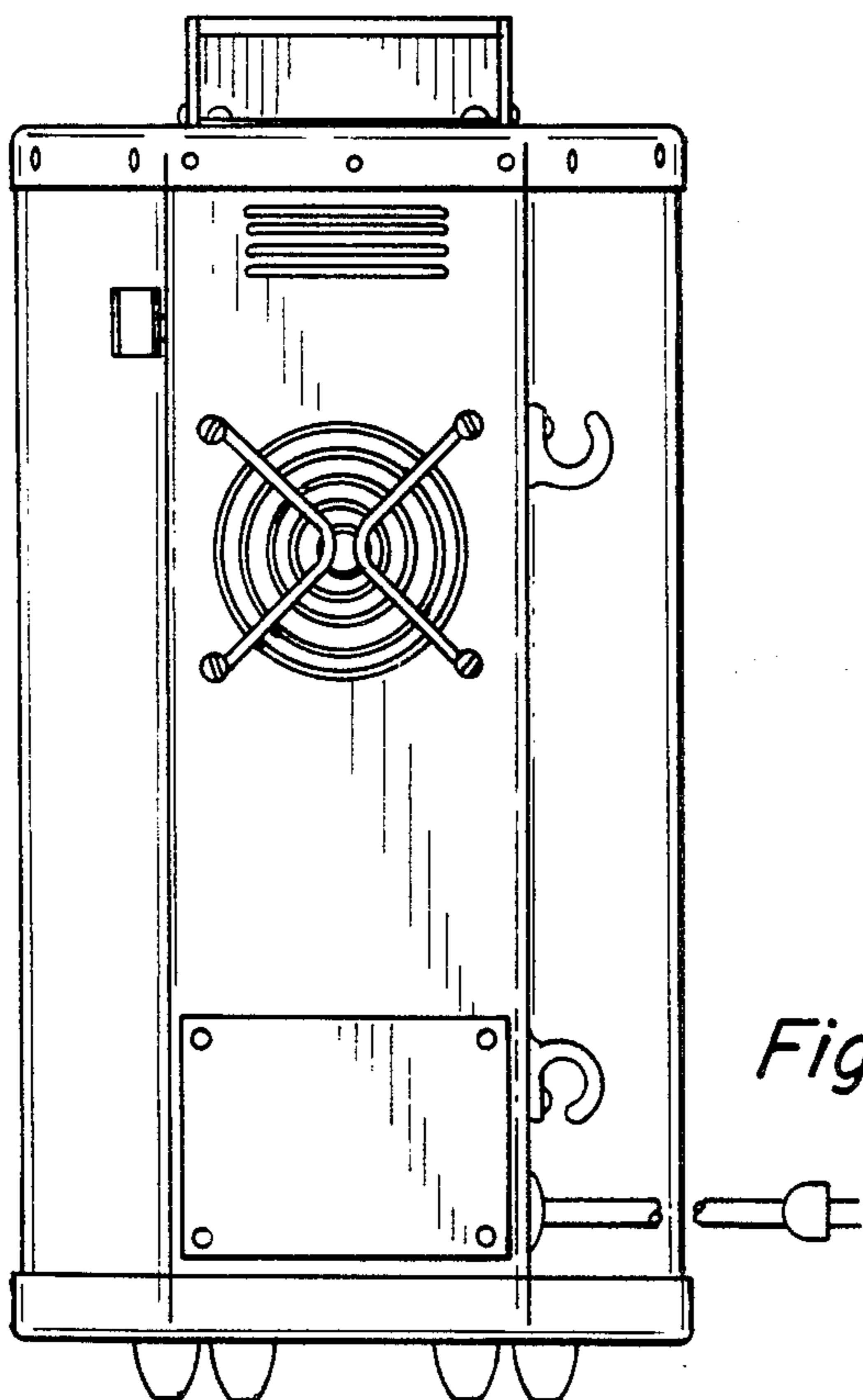
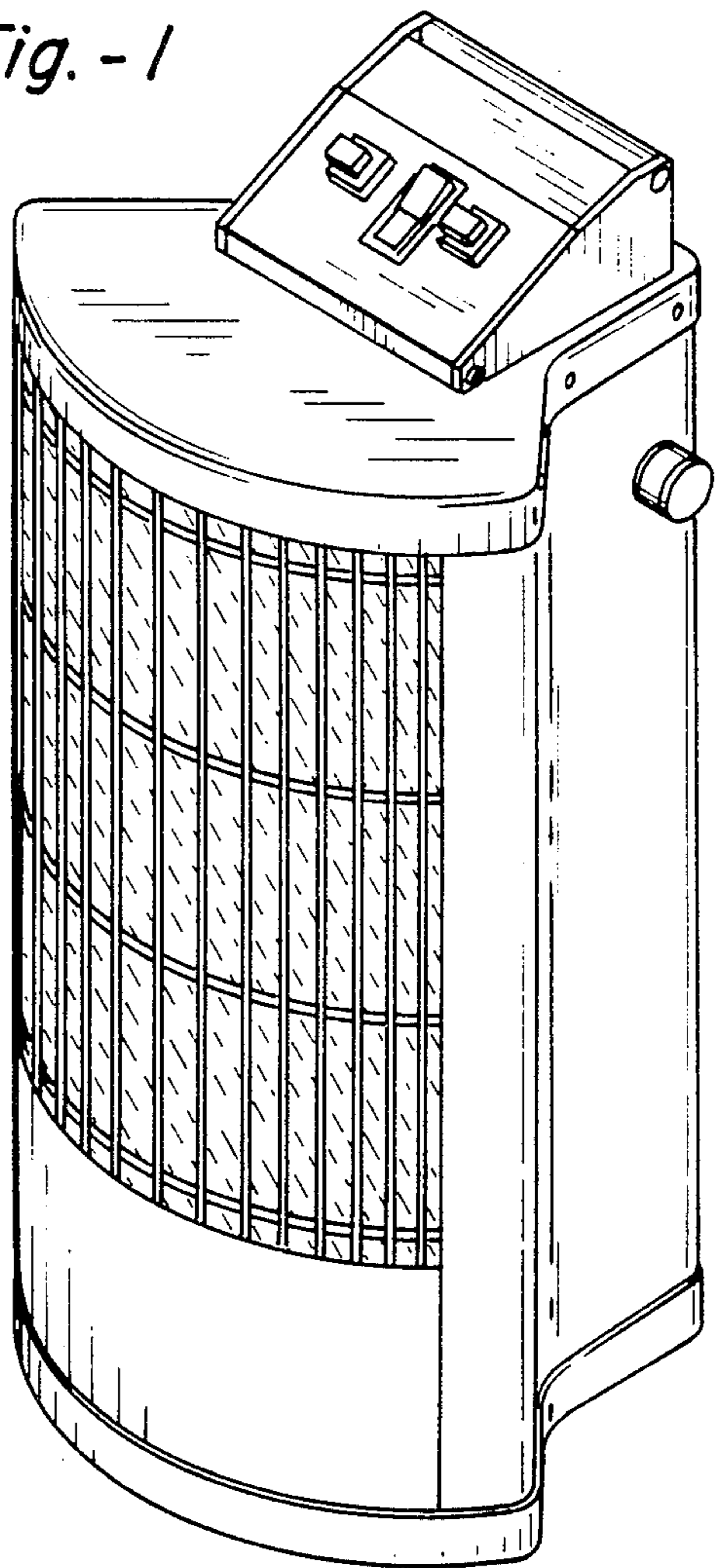
[58] **Field of Search** ..... D23/122-124;  
219/342, 343, 347, 354





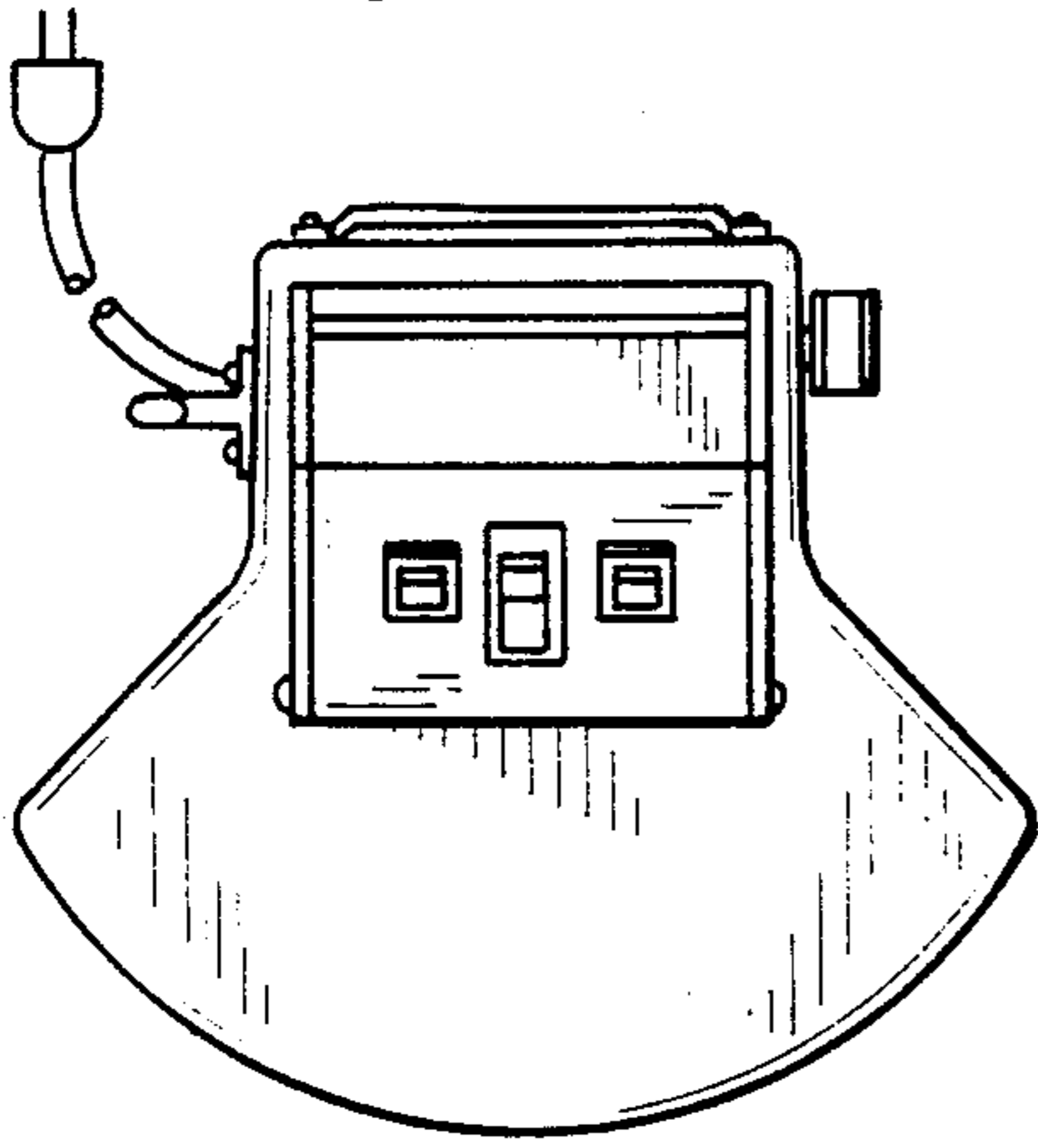
*Fig. - 2*

*Fig. - 1*

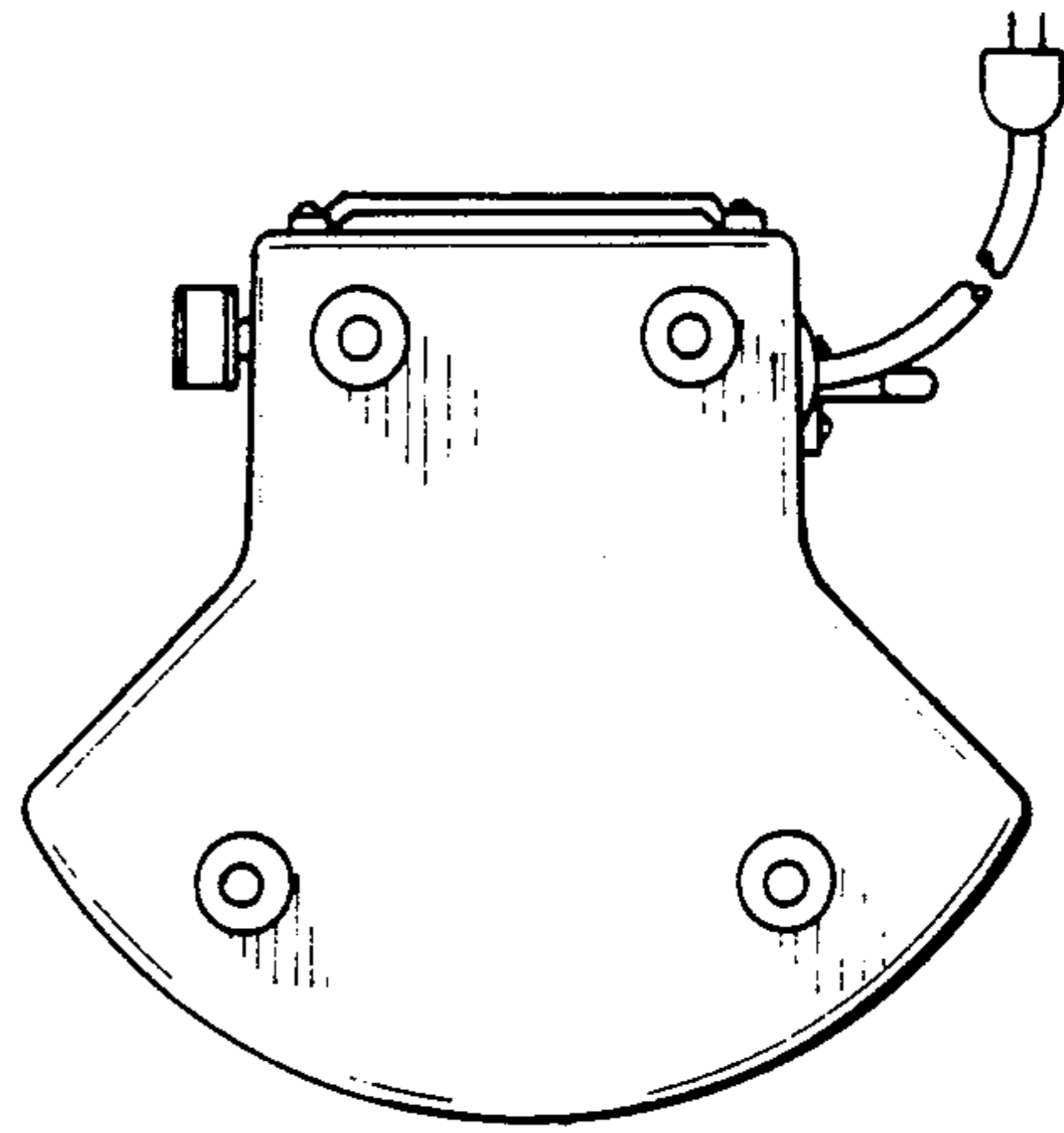


*Fig. - 3*

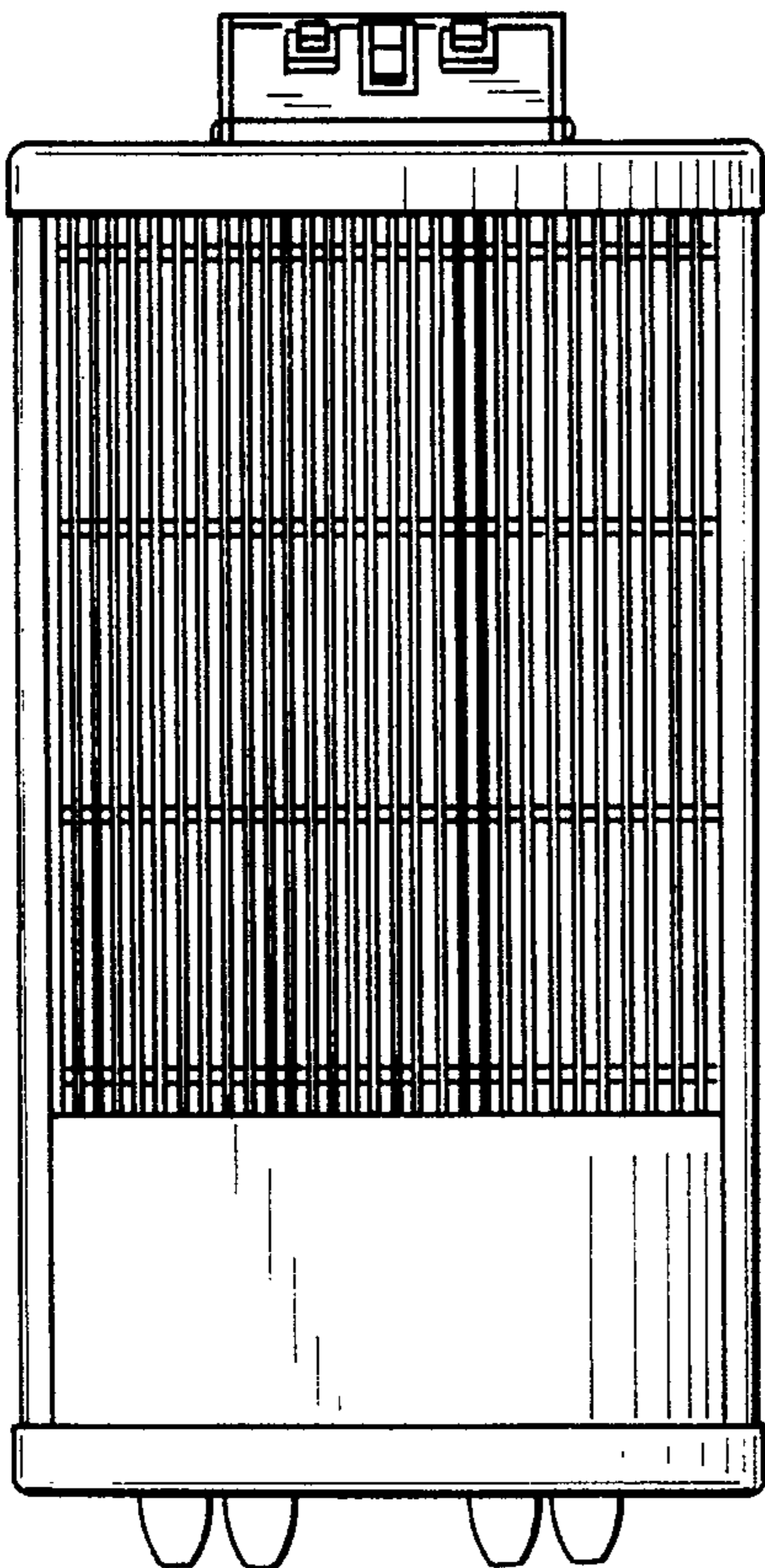
*Fig.-4*



*Fig.-5*



*Fig.-6*



*Fig.-7*

