

[54] HEATER

[56] References Cited

[75] Inventor: Peter F. Haythornthwaite, Auckland, New Zealand

U.S. PATENT DOCUMENTS

- D. 179,312 11/1956 Pierce et al. D23/97
- D. 263,164 2/1982 Barnett D23/97
- D. 273,322 4/1984 Fleisler D23/97

[73] Assignee: The Stack Manufacturing Company Limited, Auckland, New Zealand

Primary Examiner—Catherine E. Kemper
Attorney, Agent, or Firm—Young & Thompson

[**] Term: 14 Years

[57] CLAIM

The ornamental design for a heater, substantially as shown.

[21] Appl. No.: 463,897

DESCRIPTION

[22] Filed: Feb. 4, 1983

FIG. 1 is a perspective view from above of a heater showing my new design;

[52] U.S. Cl. D23/97

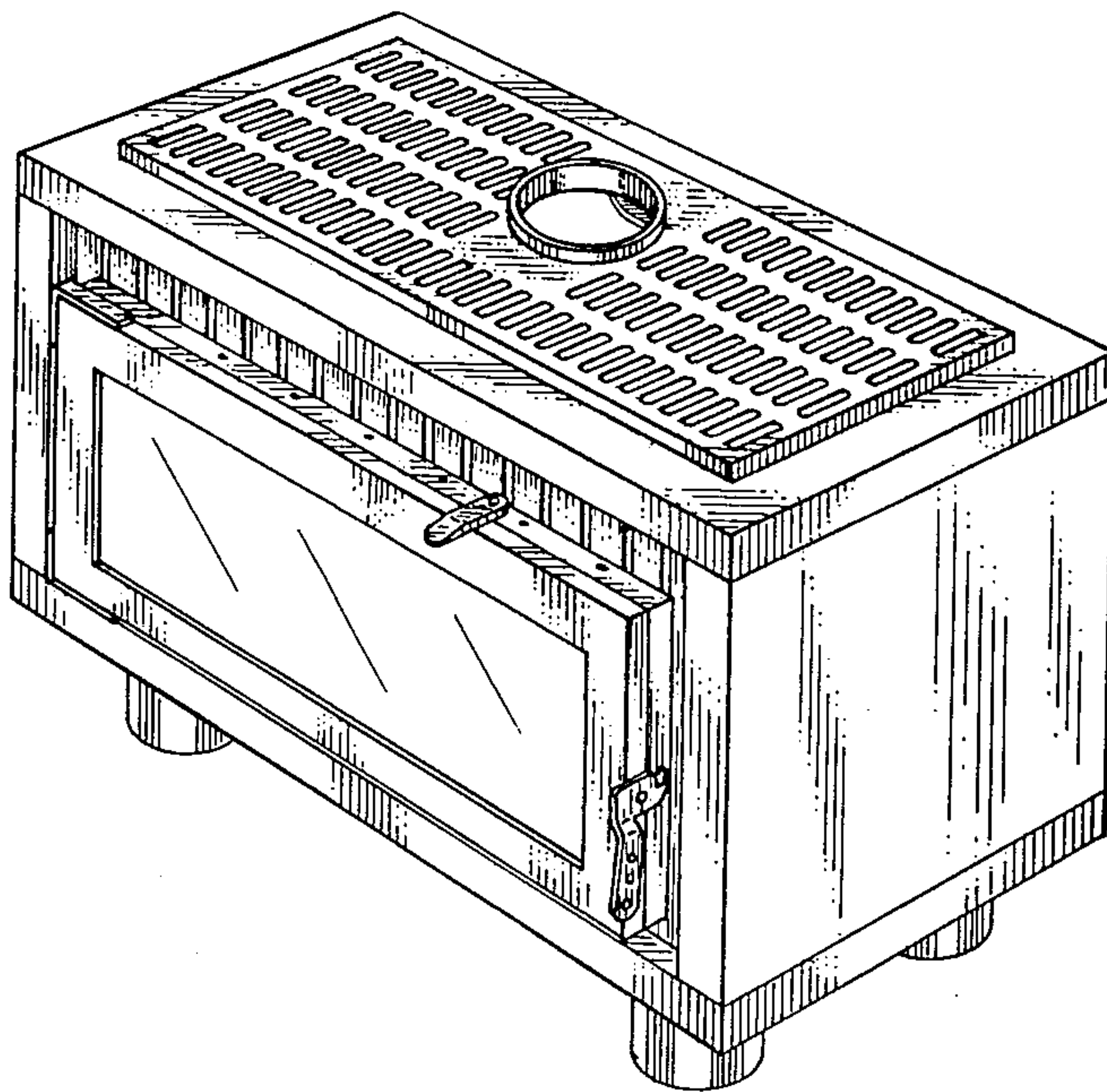
FIG. 2 is a front elevational view thereof;

[58] Field of Search D23/92-97;

FIG. 3 is a side view thereof; and

126/120, 121, 123, 126, 128, 58, 60-66, 4, 6

FIG. 4 is a perspective view thereof from below.



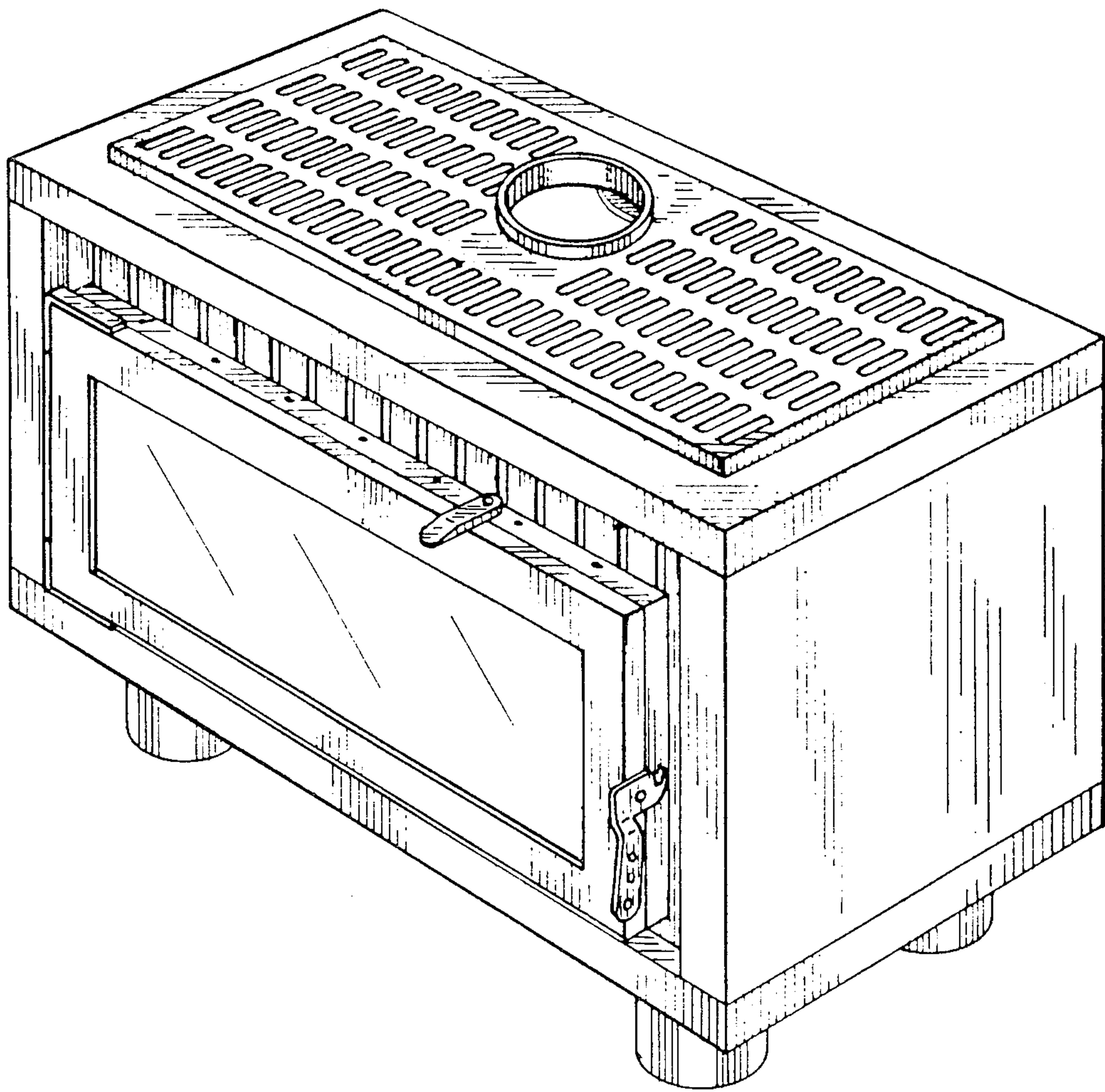


FIG. 1

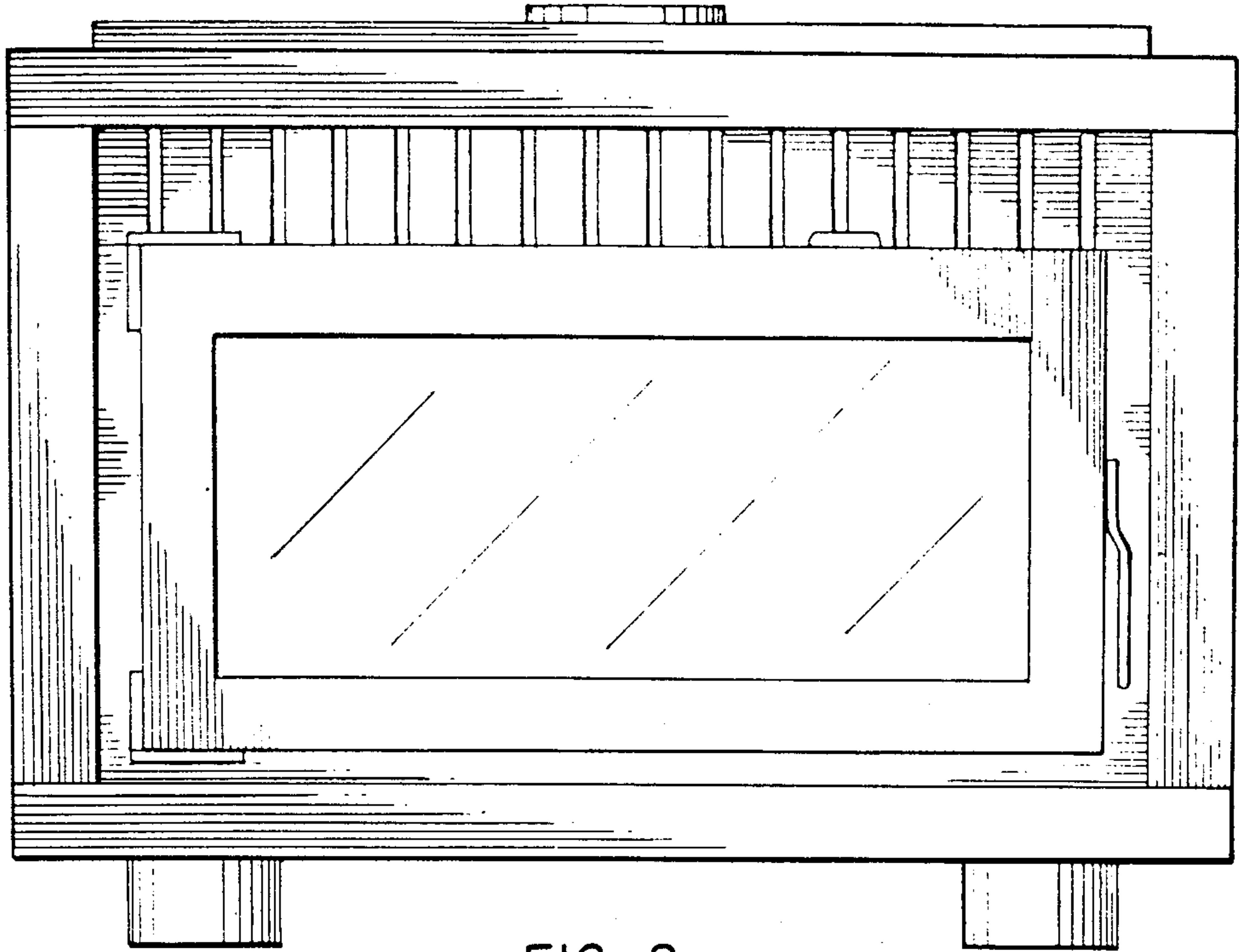


FIG. 2

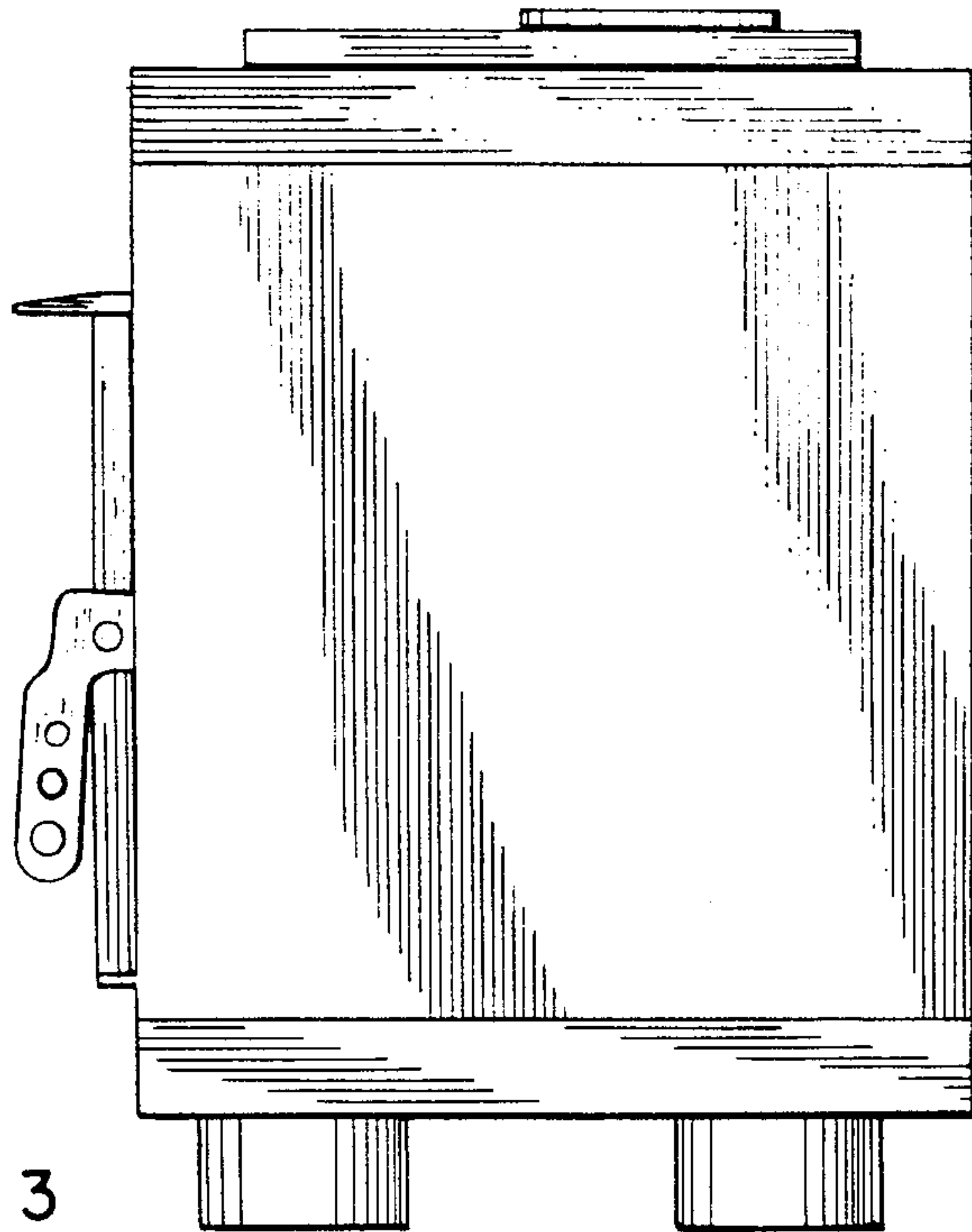


FIG. 3

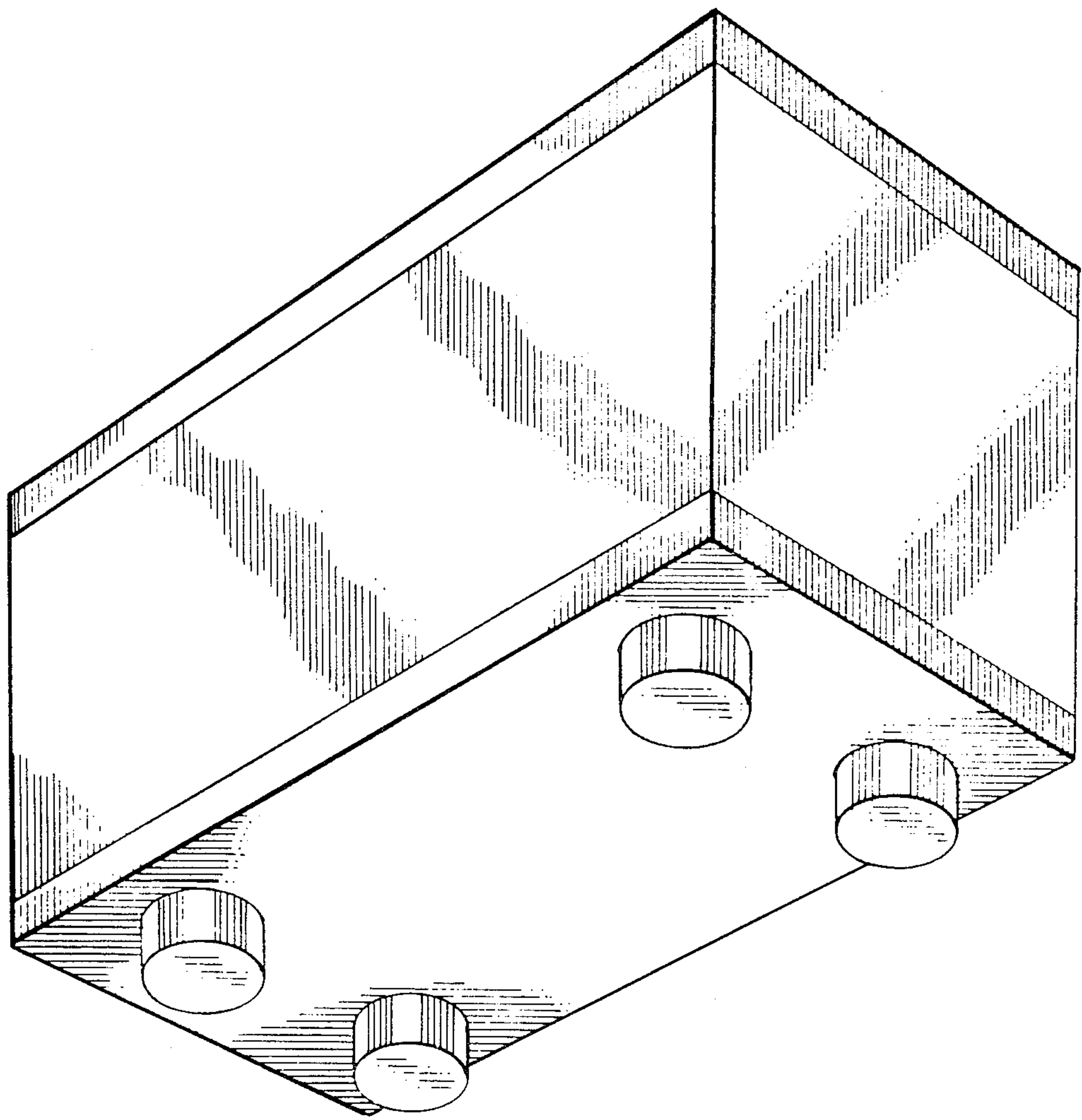


FIG. 4