

[54] **HEATER**

[75] **Inventor: Peter F. Haythornthwaite, Auckland, New Zealand**

[73] **Assignee: The Stack Manufacturing Company Limited, Auckland, New Zealand**

[**] **Term: 14 Years**

[21] **Appl. No.: 463,898**

[22] **Filed: Feb. 4, 1983**

[52] **U.S. Cl. D23/97**

[58] **Field of Search D23/92-97;
126/120, 121, 123, 126, 128, 58, 60-66, 4, 6**

[56]

References Cited

U.S. PATENT DOCUMENTS

D. 179,312 11/1956 Pierce et al. D23/97
D. 263,164 2/1982 Barnett D23/97
D. 273,322 4/1984 Fleisler D23/97

Primary Examiner—Catherine E. Kemper
Attorney, Agent, or Firm—Young & Thompson

[57]

CLAIM

The ornamental design for a heater, substantially as shown.

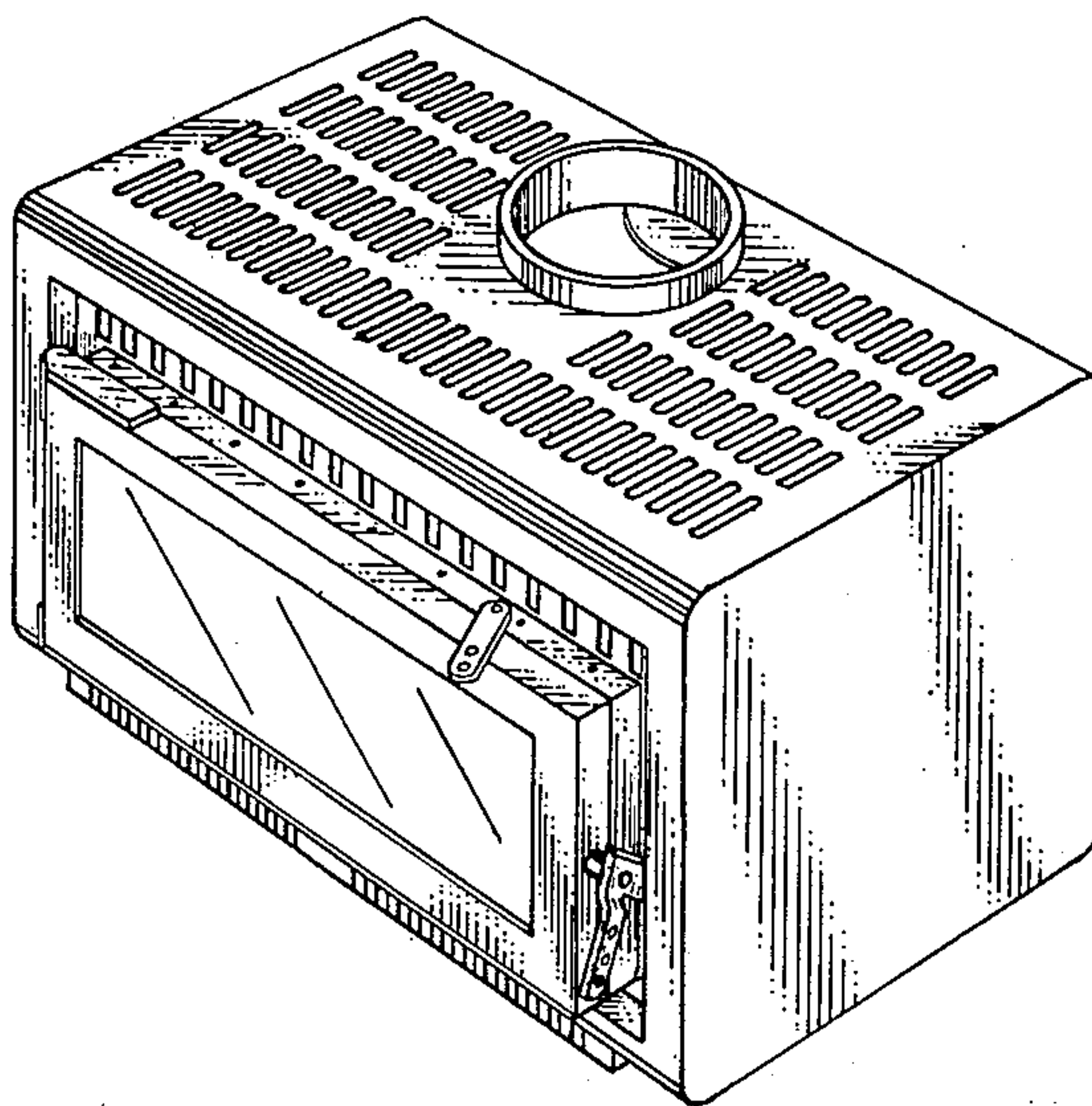
DESCRIPTION

FIG. 1 is a front elevational view of a heater showing my new design;

FIG. 2 is a side elevational view thereof;

FIG. 3 is a perspective view thereof from above; and

FIG. 4 is a perspective view thereof from below.



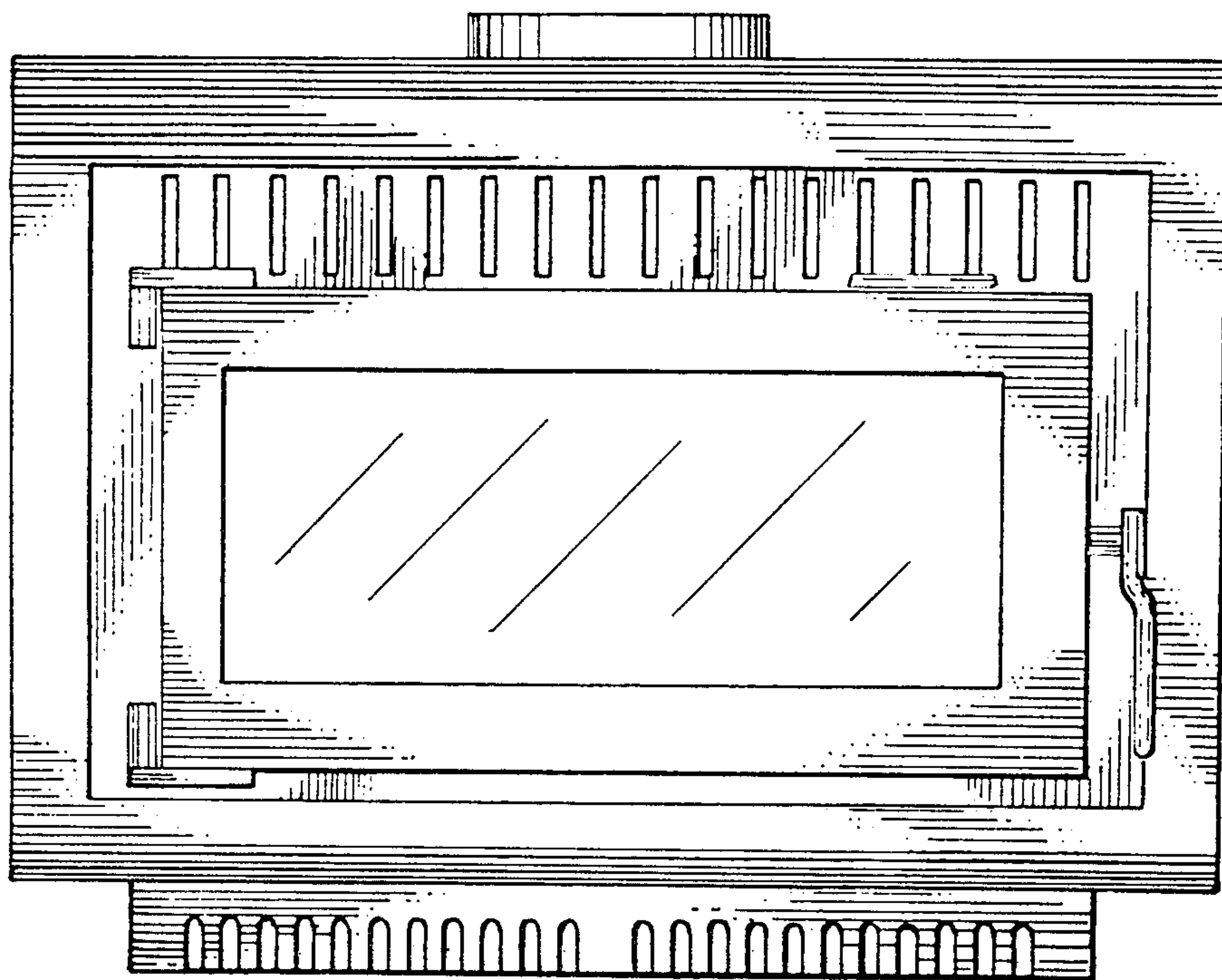


FIG. 1

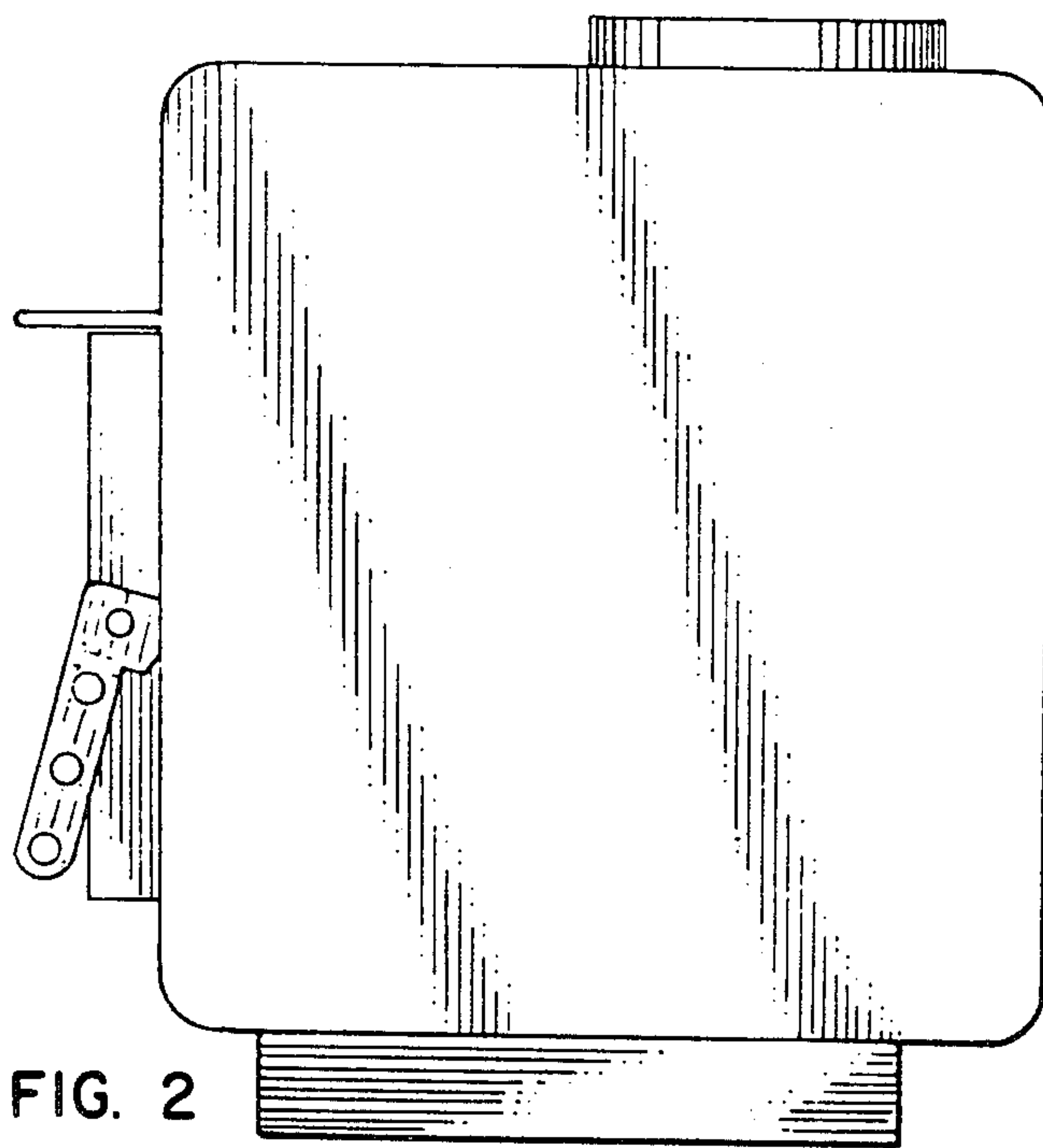


FIG. 2

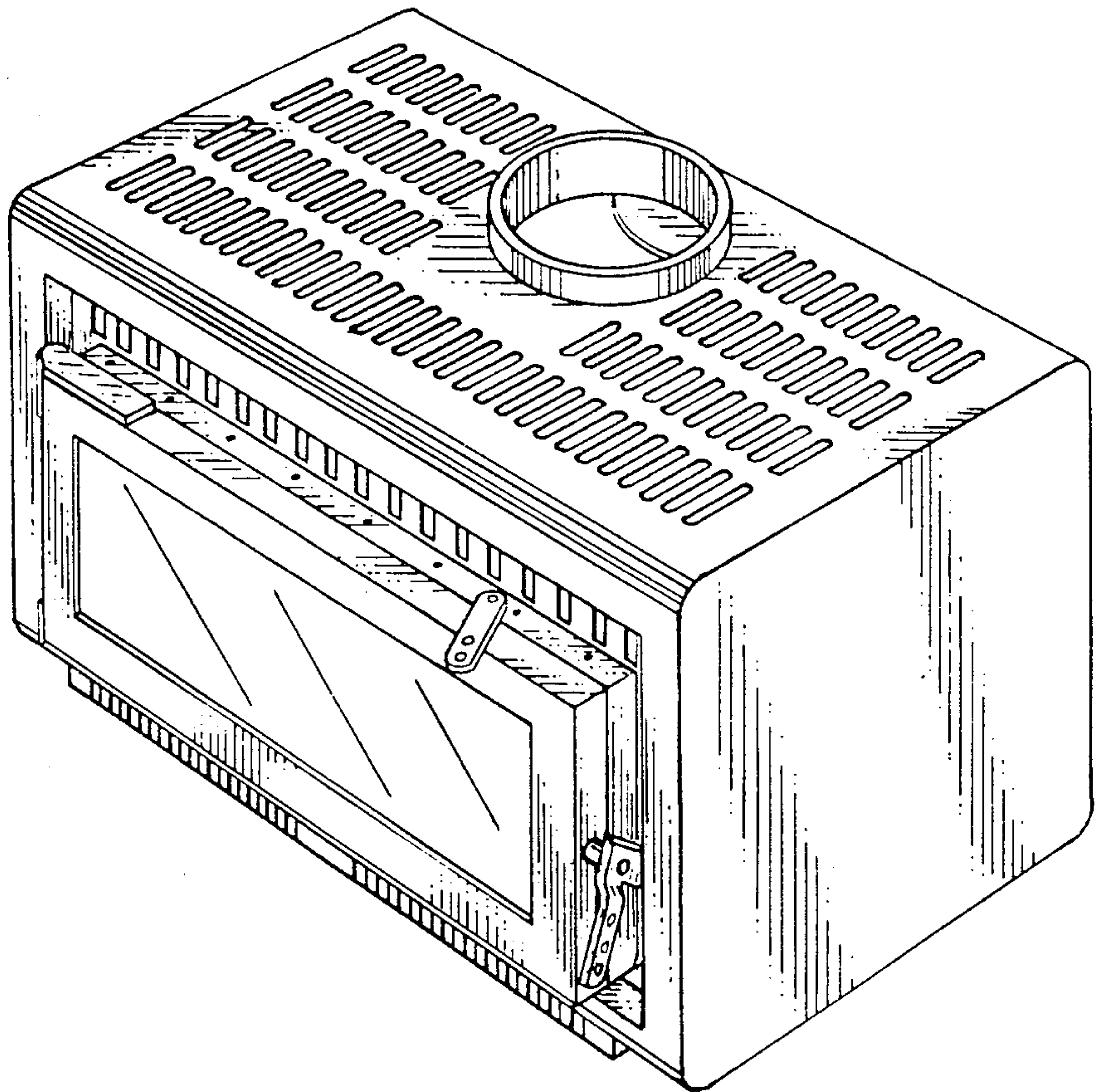


FIG. 3

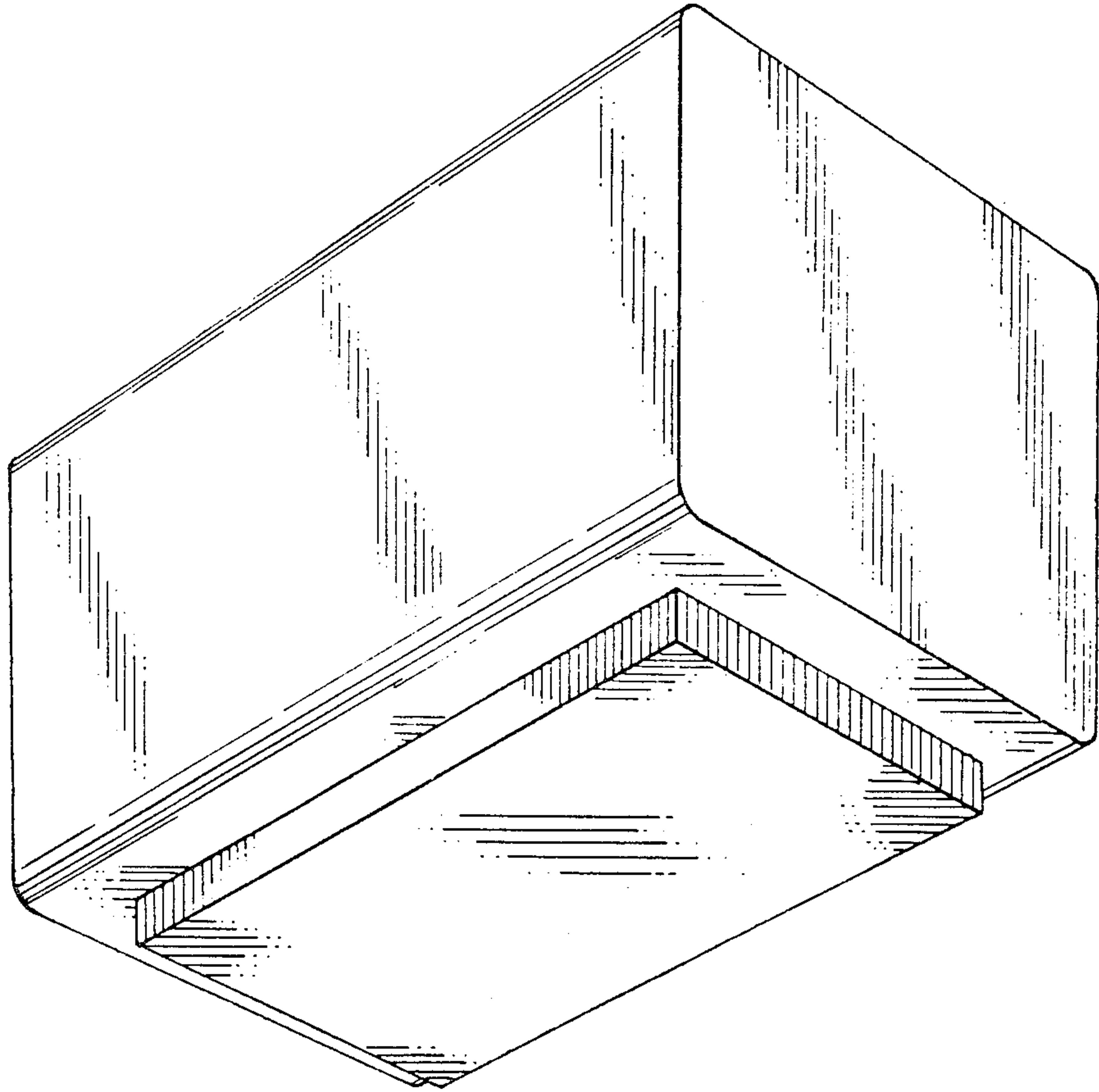


FIG. 4