

[54] **TIMER-SHUT OFF VALVE**

[75] Inventors: **Jack L. Lemkin**, Cincinnati; **Eugene A. Zilber**; **Carl A. Peterson**, both of Columbus, all of Ohio

[73] Assignee: **The O. M. Scott & Sons Company**, Marysville, Ohio

[**] Term: **14 Years**

[21] Appl. No.: **483,153**

[22] Filed: **Apr. 8, 1983**

[52] U.S. Cl. **D23/38**

[58] Field of Search **D23/19-22, D23/37, 38, 39; 239/70; 137/624.11, 624.21**

[56] **References Cited**

U.S. PATENT DOCUMENTS

D. 152,809	2/1949	MacCauley	D23/21
D. 186,925	12/1959	Zaara et al.	D23/21
D. 191,294	9/1961	Charnota et al.	D23/39
D. 196,603	10/1963	Beinert	D23/38
D. 208,451	8/1967	Anesi	D23/38

D. 212,154	9/1968	Benjamin	D23/38
D. 235,145	5/1975	Fernandez	D23/38
D. 263,069	2/1982	Chow	D23/38
3,844,311	10/1974	McSwain	137/624.11
4,130,135	12/1978	Moore	137/624.11

Primary Examiner—James R. Largen
Attorney, Agent, or Firm—James B. Raden; Harold J. Holt

[57] **CLAIM**

The ornamental design for a timer-shut off valve, substantially as shown and described.

DESCRIPTION

FIG. 1 is an elevational view taken from one side of a timer shut off valve showing our new design;

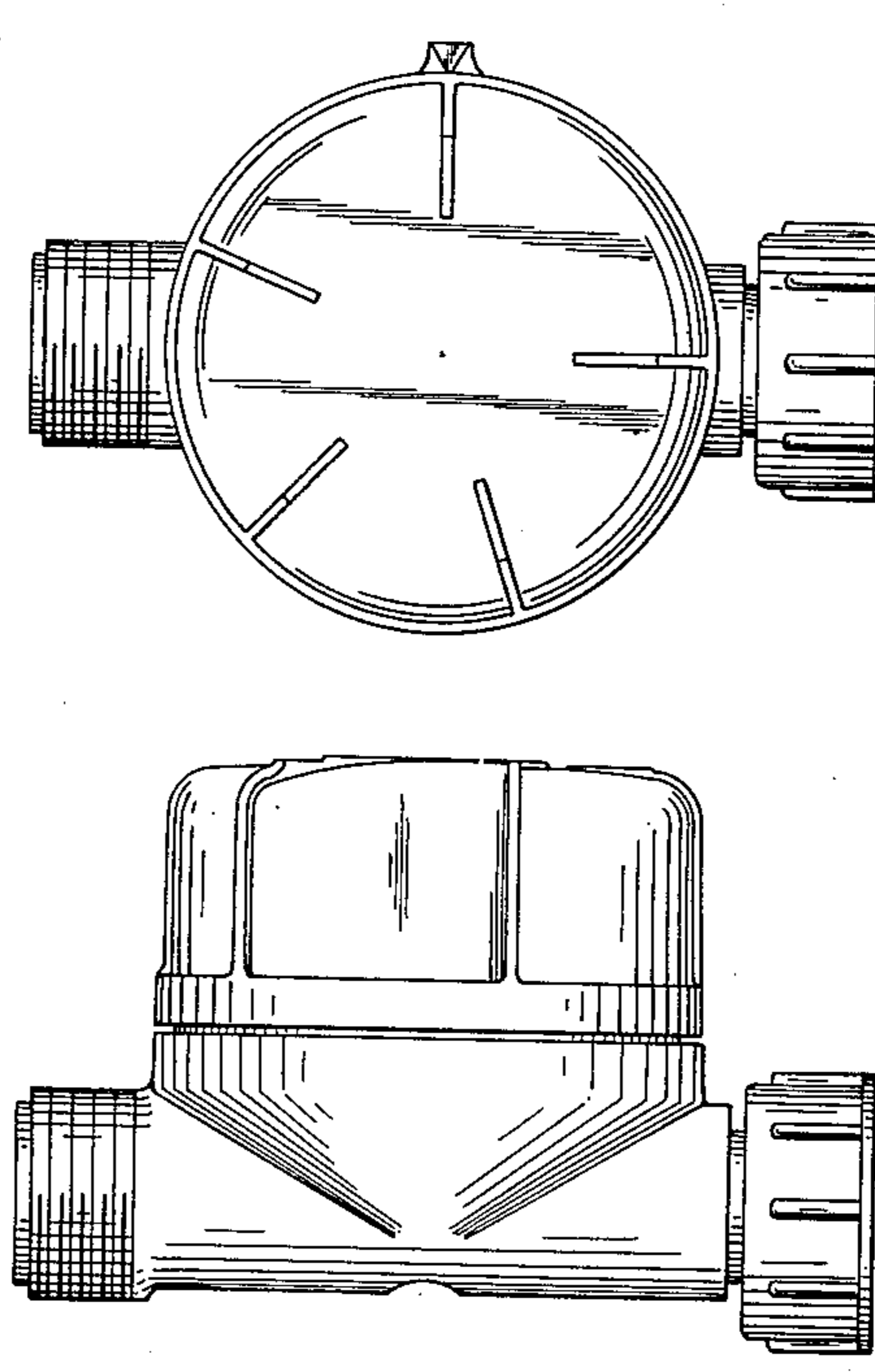
FIG. 2 is a top plan view thereof;

FIG. 3 is an elevational view taken from one end thereof;

FIG. 4 is an elevational view taken from the end opposite that shown in FIG. 3;

FIG. 5 is an elevational view taken from the side opposite that shown in FIG. 1; and

FIG. 6 is a bottom plan view thereof.



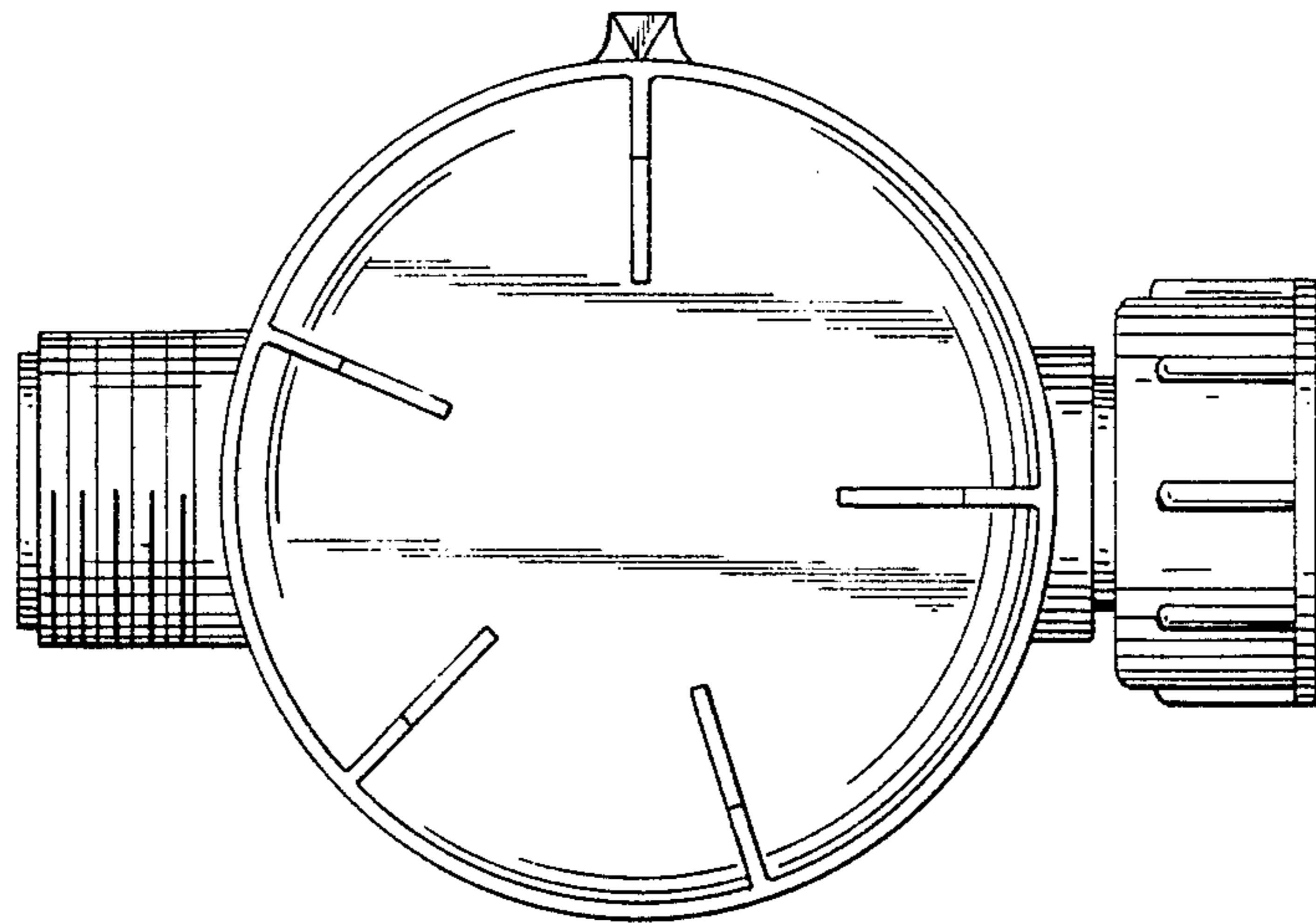


FIG. 2

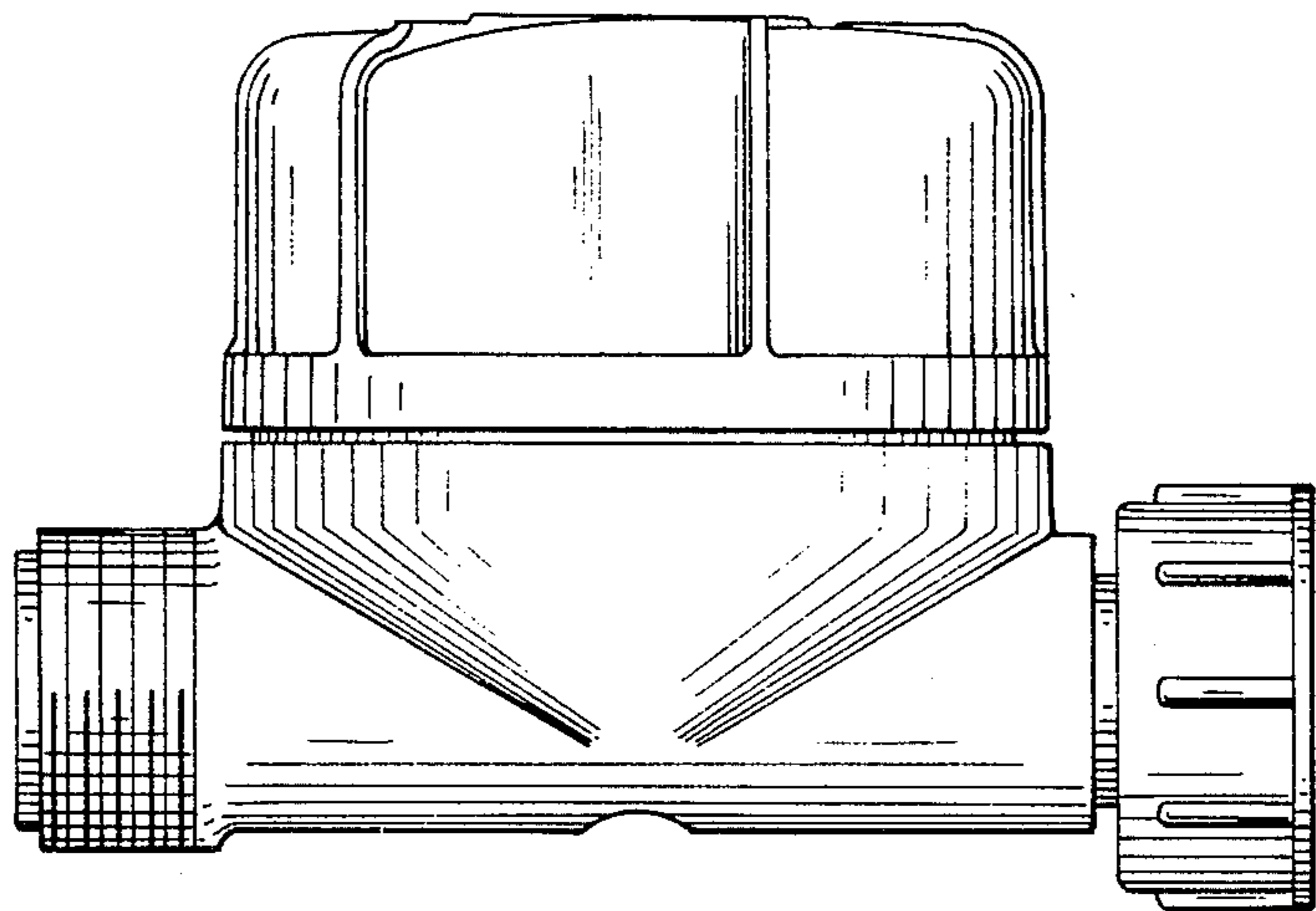


FIG. 1

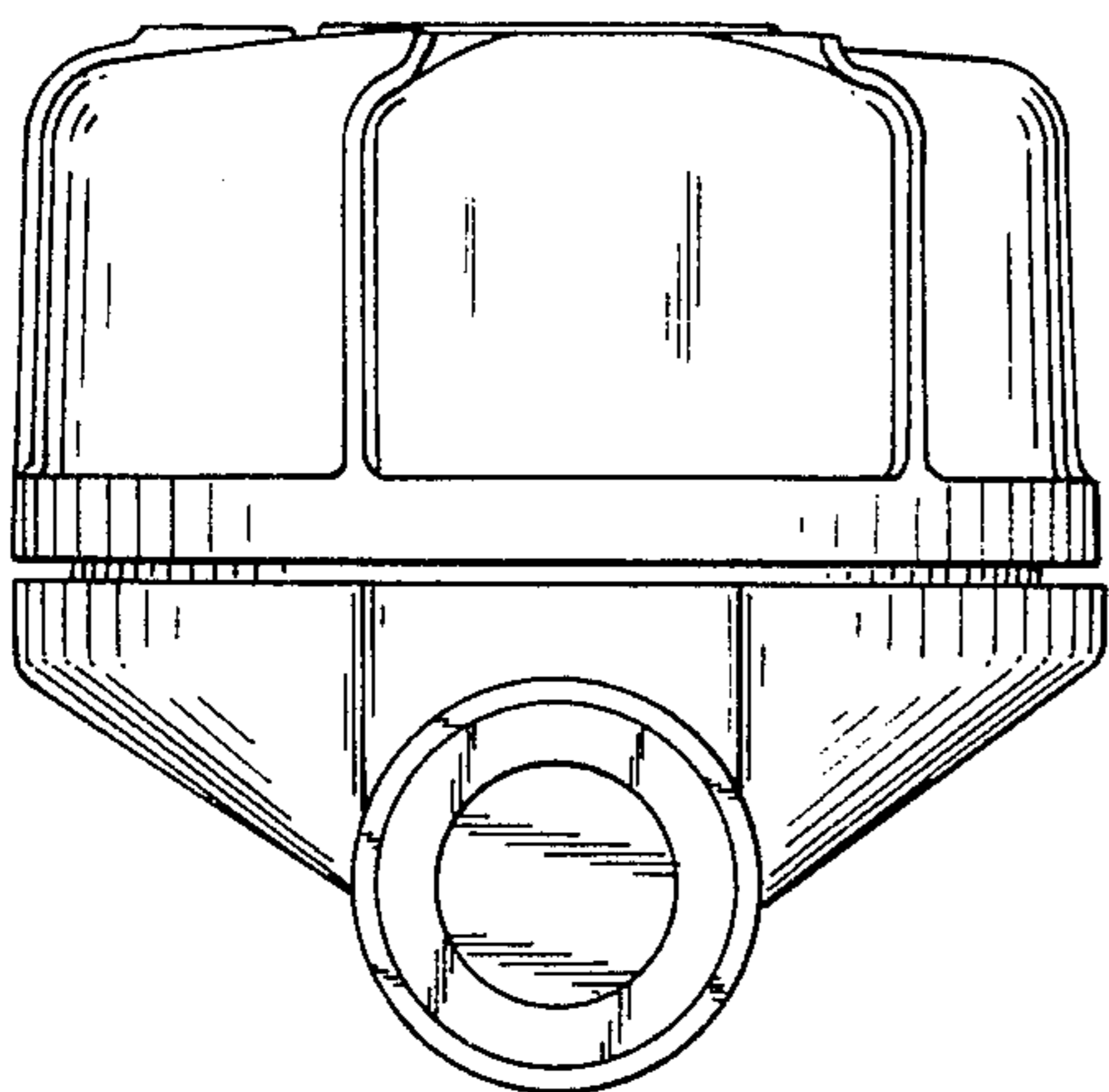


FIG. 3

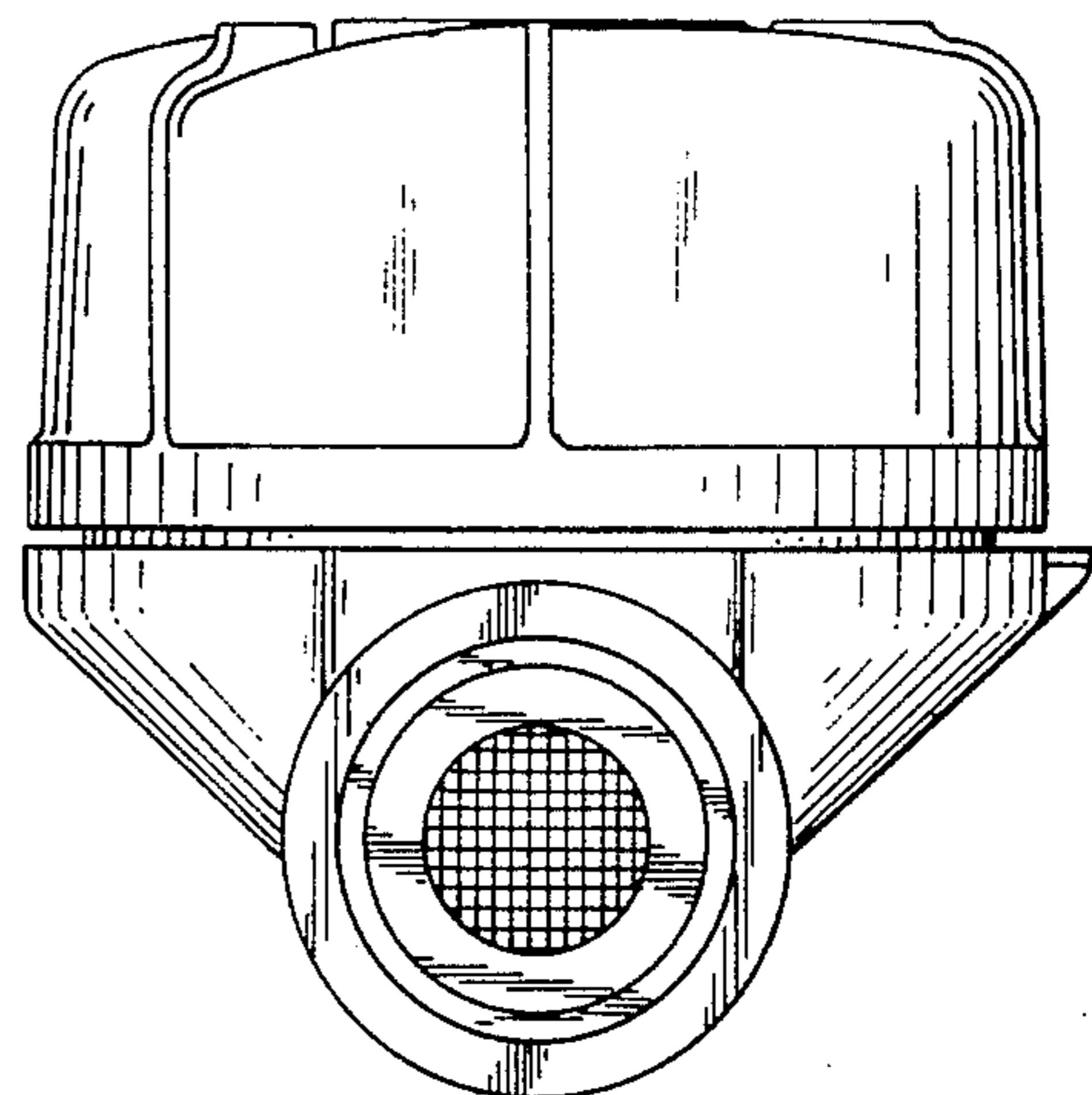


FIG. 4

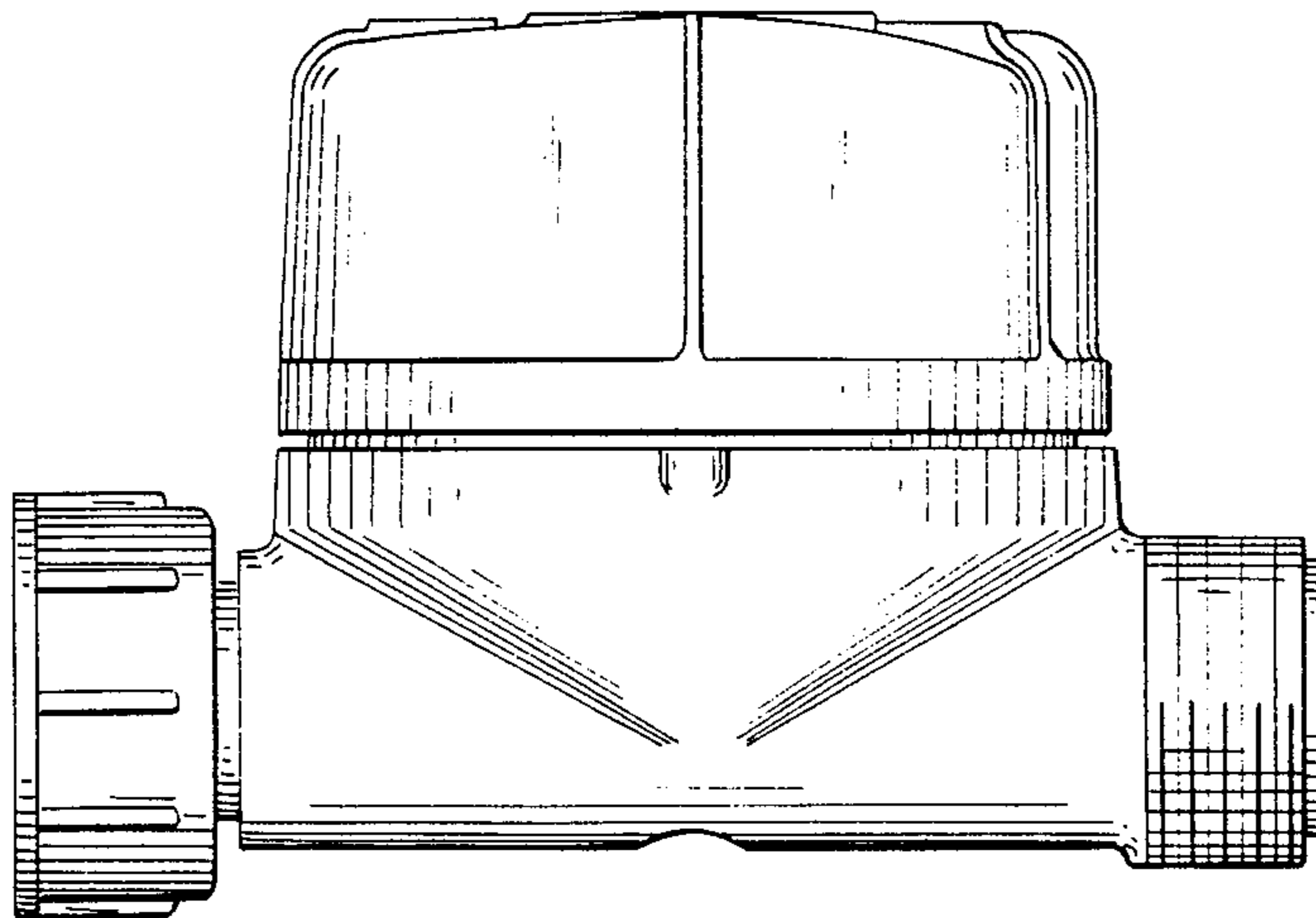


FIG. 5

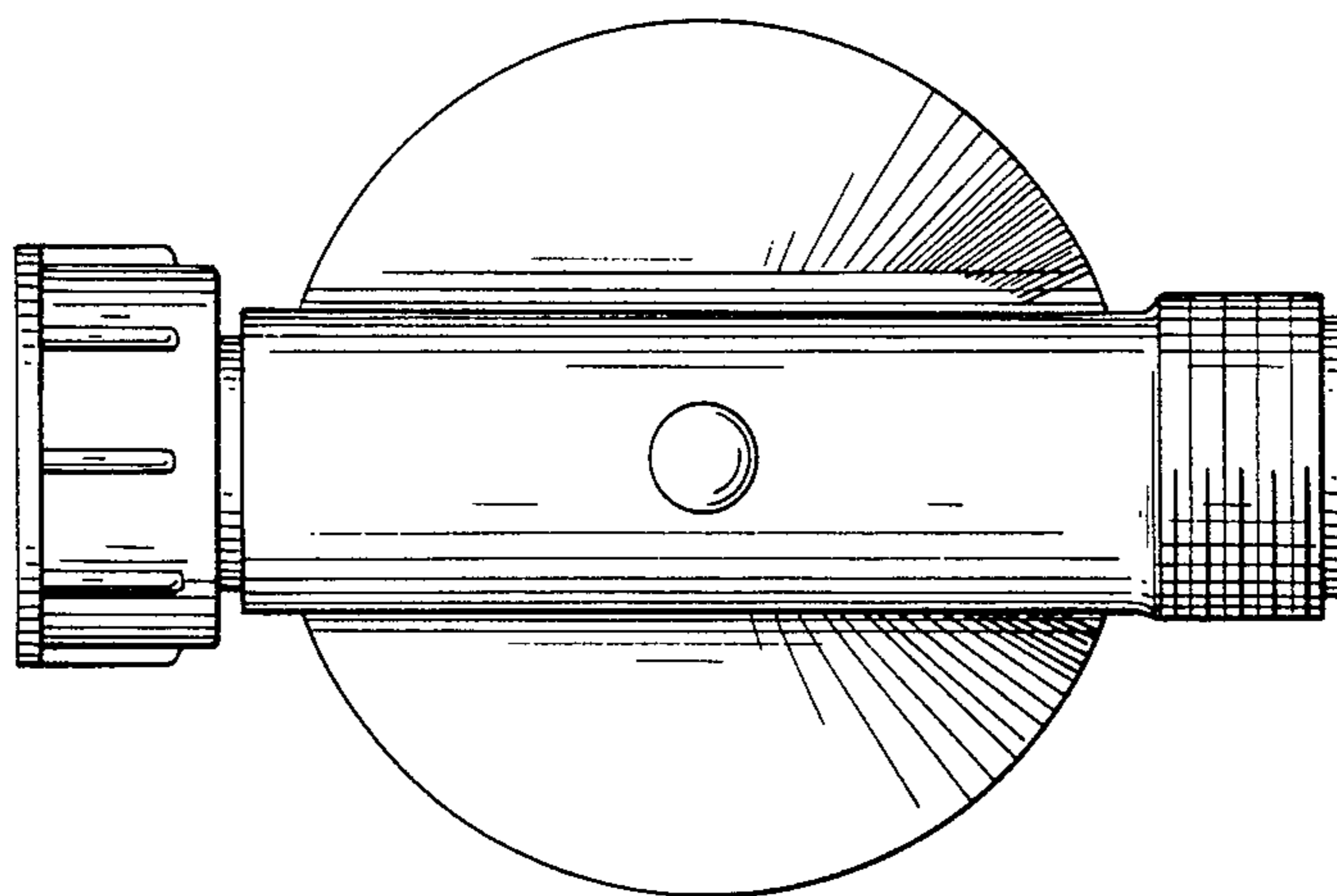


FIG. 6