

[54] FISHING LINE STRIKE INDICATOR

[76] Inventor: Daryll B. Bolinger, 25840 Hayes, Roseville, Mich. 48066

[\*\*] Term: 14 Years

[21] Appl. No.: 485,305

[22] Filed: Apr. 15, 1983

[52] U.S. Cl. .... D22/23

[58] Field of Search ..... D22/22, 23, 13; 43/15, 43/16, 17

[56] References Cited

U.S. PATENT DOCUMENTS

D. 230,589	3/1974	Muehl et al. ....	D22/23
2,910,797	11/1959	Cucuro .	
3,280,496	10/1966	London .	
3,599,368	8/1971	Riley .	
3,600,836	8/1971	Miyamae .	
3,680,244	8/1972	Cala .	
3,702,513	11/1972	Watts .	
4,209,930	7/1980	Boynton .	
4,384,425	5/1983	Lemons, Sr. ....	43/17
4,398,185	8/1983	Roberts, Sr. ....	43/17 X
4,458,437	7/1984	Ou .....	43/17

OTHER PUBLICATIONS

Fish-On! Advertisement, Exhibit AR.

Bitesensor Advertisement, Exhibit AS.

Primary Examiner—A. Hugo Word

[57] CLAIM

The ornamental design for a fishing line strike indicator, as shown and described.

DESCRIPTION

FIG. 1 is a top view of the fishing line strike indicator, a portion of an Allen wrench is shown in phantom view protruding from the left side of the device;

FIG. 2 is a side elevation of the fishing line strike indicator, shown in FIG. 1 with a fishing rod and Allen wrench shown in phantom view;

FIG. 3 is a bottom view of the fishing line strike indicator, shown in FIG. 1;

FIG. 4 is a side elevation of the fishing line strike indicator, shown in FIG. 1, depicting the opposite side shown in FIG. 2;

FIG. 5 is an end view of the right side of the fishing line strike indicator shown in FIG. 2, with the fishing rod shown in phantom outline; and

FIG. 6 is a view of the opposite end of the fishing line strike indicator depicted in FIG. 5.

The broken line showing of a fishing rod and Allen wrench is for illustrative purposes only and forms no part of the claimed design.

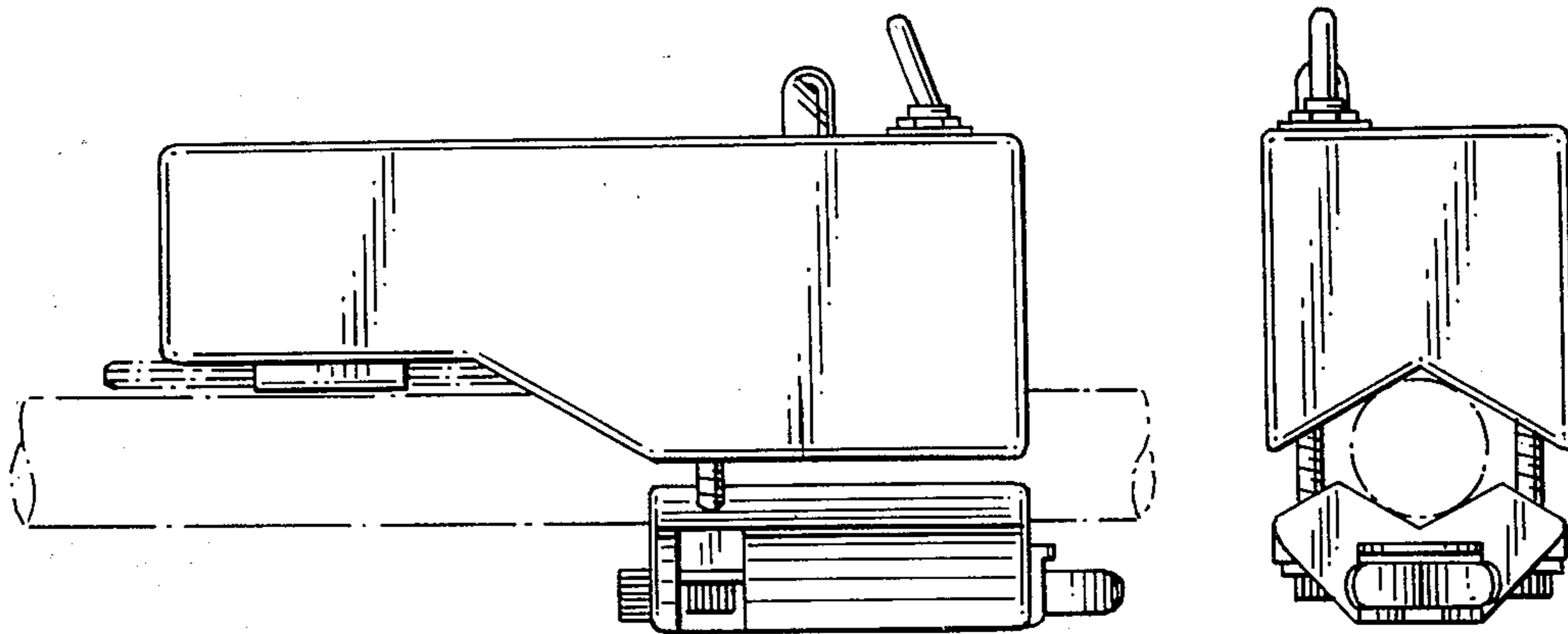


FIG. 1

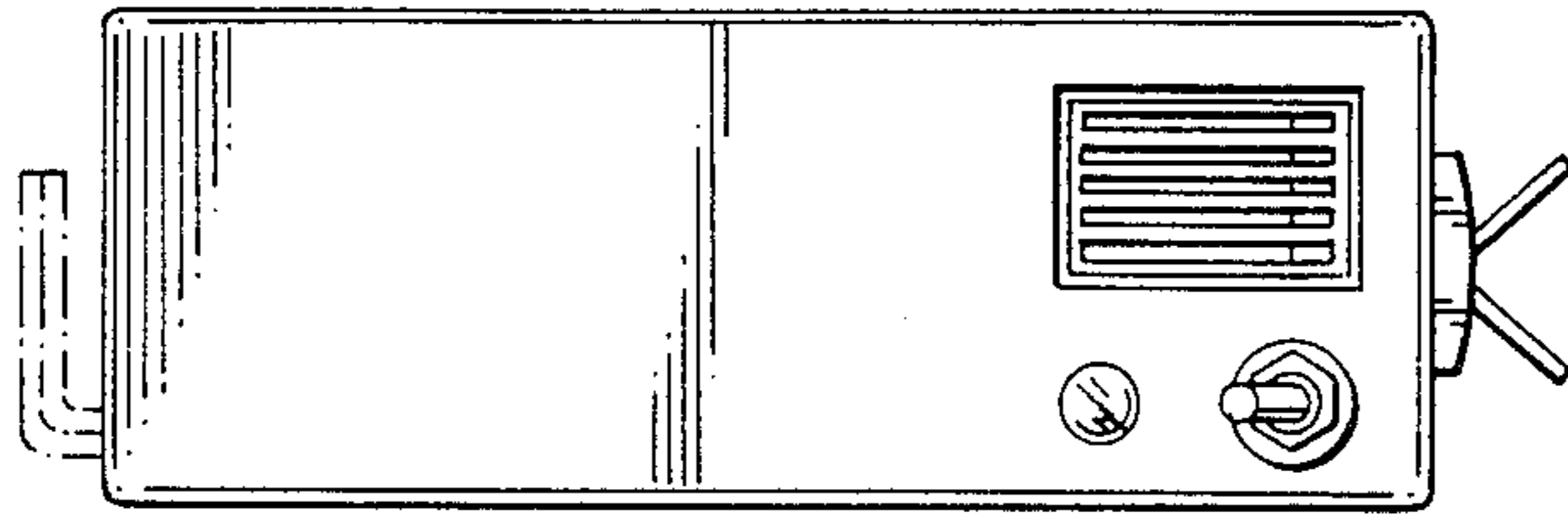


FIG. 2

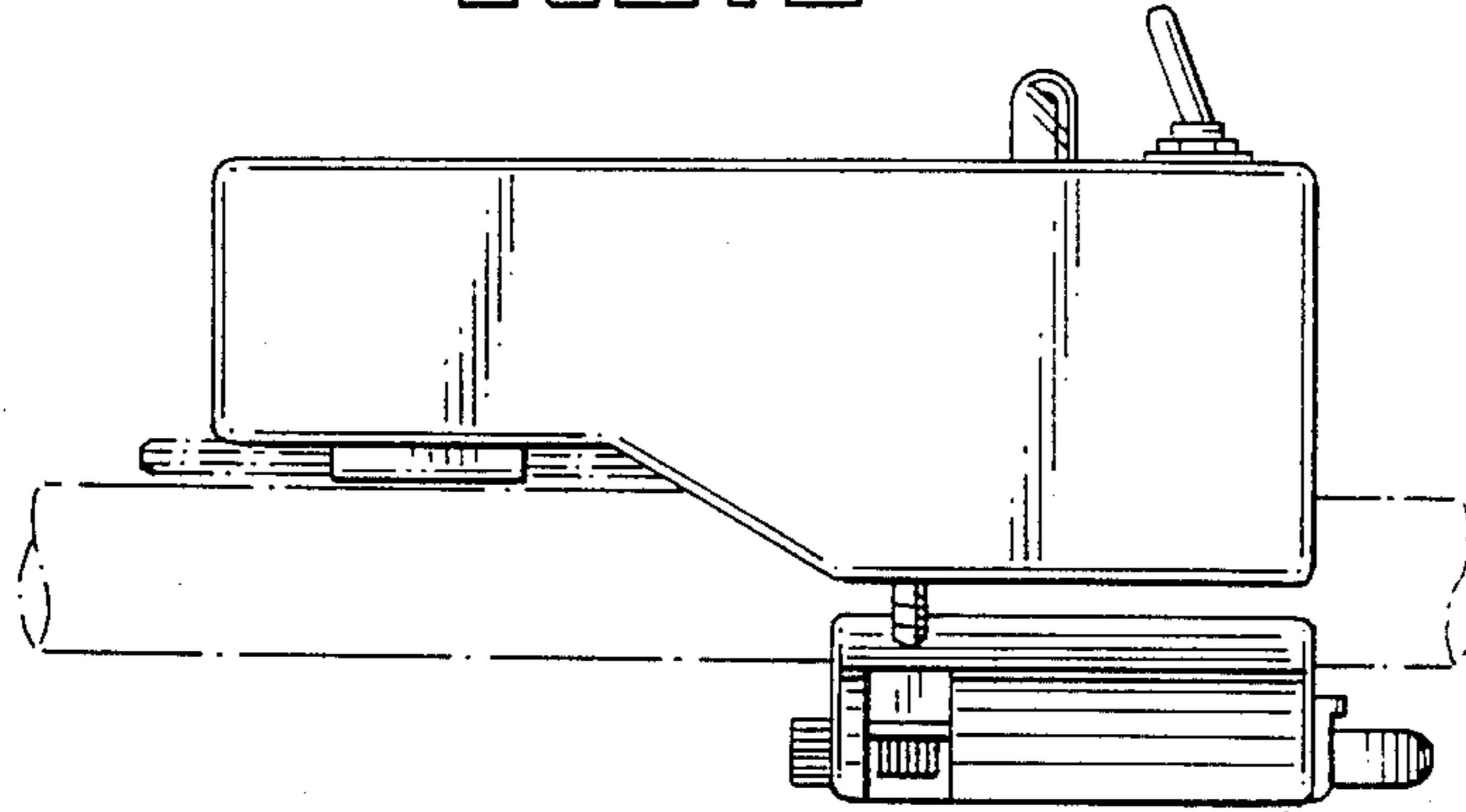


FIG. 3

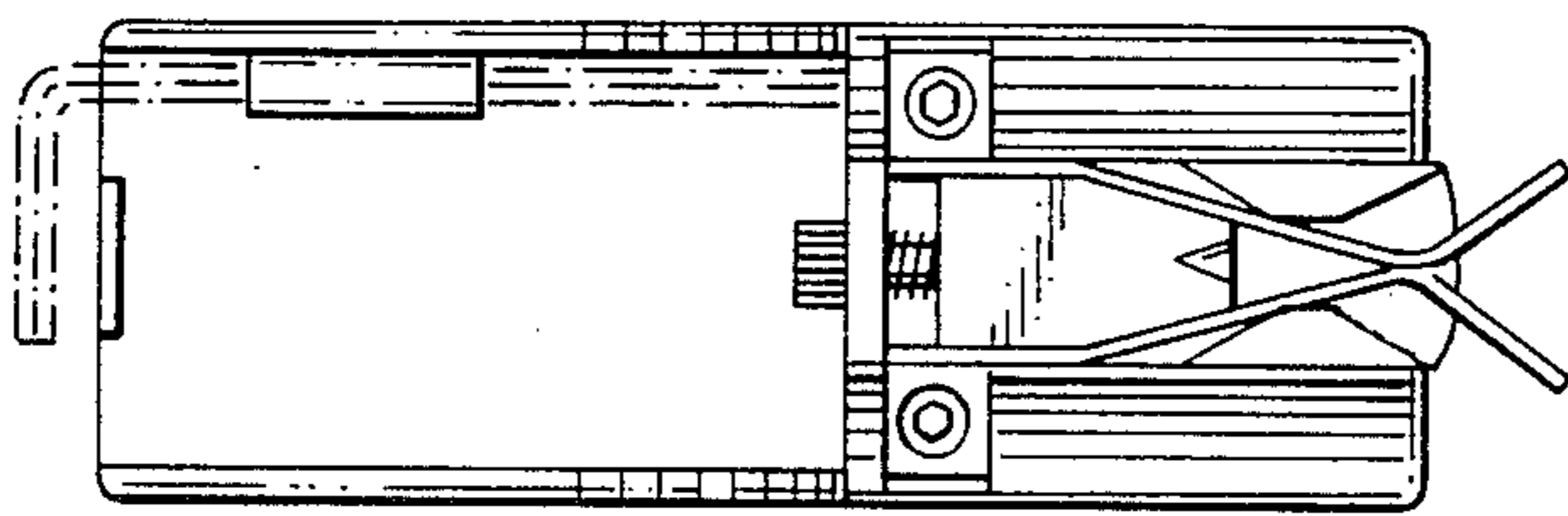


FIG. 4

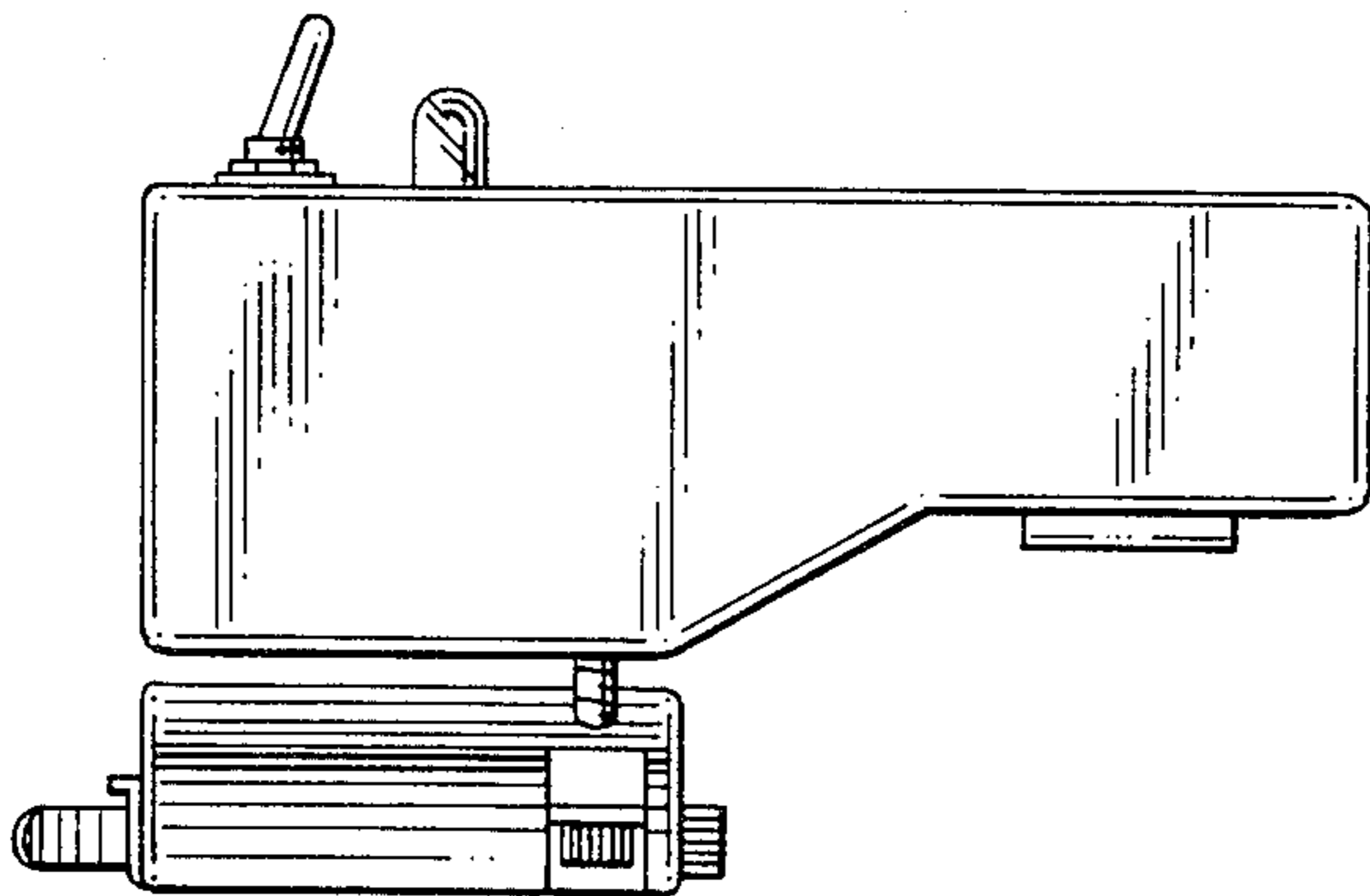


FIG. 5

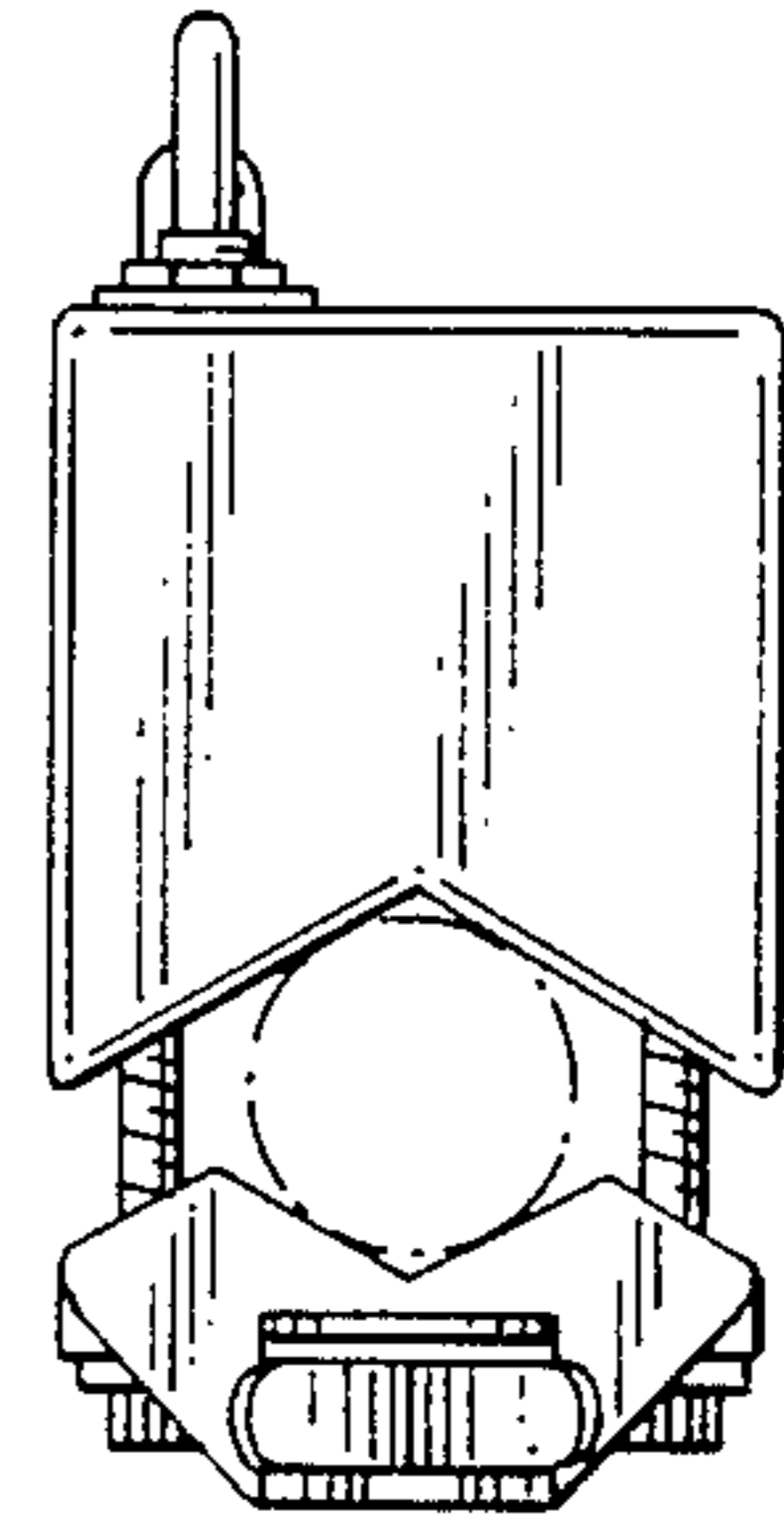


FIG. 6

