

[54] **LAP COUNTER FOR COUNTING THE PAS-
SAGE OF TOY VEHICLES ALONG A TRACK**

[75] **Inventor: Duncan Tong, Hong Kong, Hong
Kong**

[73] **Assignee: Playart Limited, Hong Kong, Hong
Kong**

[**] **Term: 14 Years**

[21] **Appl. No.: 440,207**

[22] **Filed: Nov. 8, 1982**

[30] **Foreign Application Priority Data**

May 19, 1982 [GB] United Kingdom 1006795

[52] **U.S. Cl. D21/143; D10/46.1**

[58] **Field of Search D21/59, 143; D10/46,
D10/46.1, 96, 97; 235/99 A; 273/86 D, 86 R,
86 H**

[56]

References Cited

U.S. PATENT DOCUMENTS

D. 205,156	6/1966	Ford	D10/46.1
D. 209,218	11/1967	Appel et al.	D10/46.1
D. 219,607	12/1970	Tam	D10/46.1
D. 264,445	5/1982	Spivey	D10/46.1
3,045,909	7/1962	Aver	235/99 A

Primary Examiner—Charles A. Rademaker
Attorney, Agent, or Firm—Townsend and Townsend

[57]

CLAIM

The ornamental design for a lap counter for counting the passage of toy vehicles along a track, as shown.

DESCRIPTION

FIG. 1 is a front perspective view of a lap counter for counting the passage of toy vehicles along a track showing my new design;

FIG. 2 is a rear perspective view thereof;

FIG. 3 is a rear elevational view thereof;

FIG. 4 is a side elevational view thereof; and

FIG. 5 is a bottom plan view thereof.

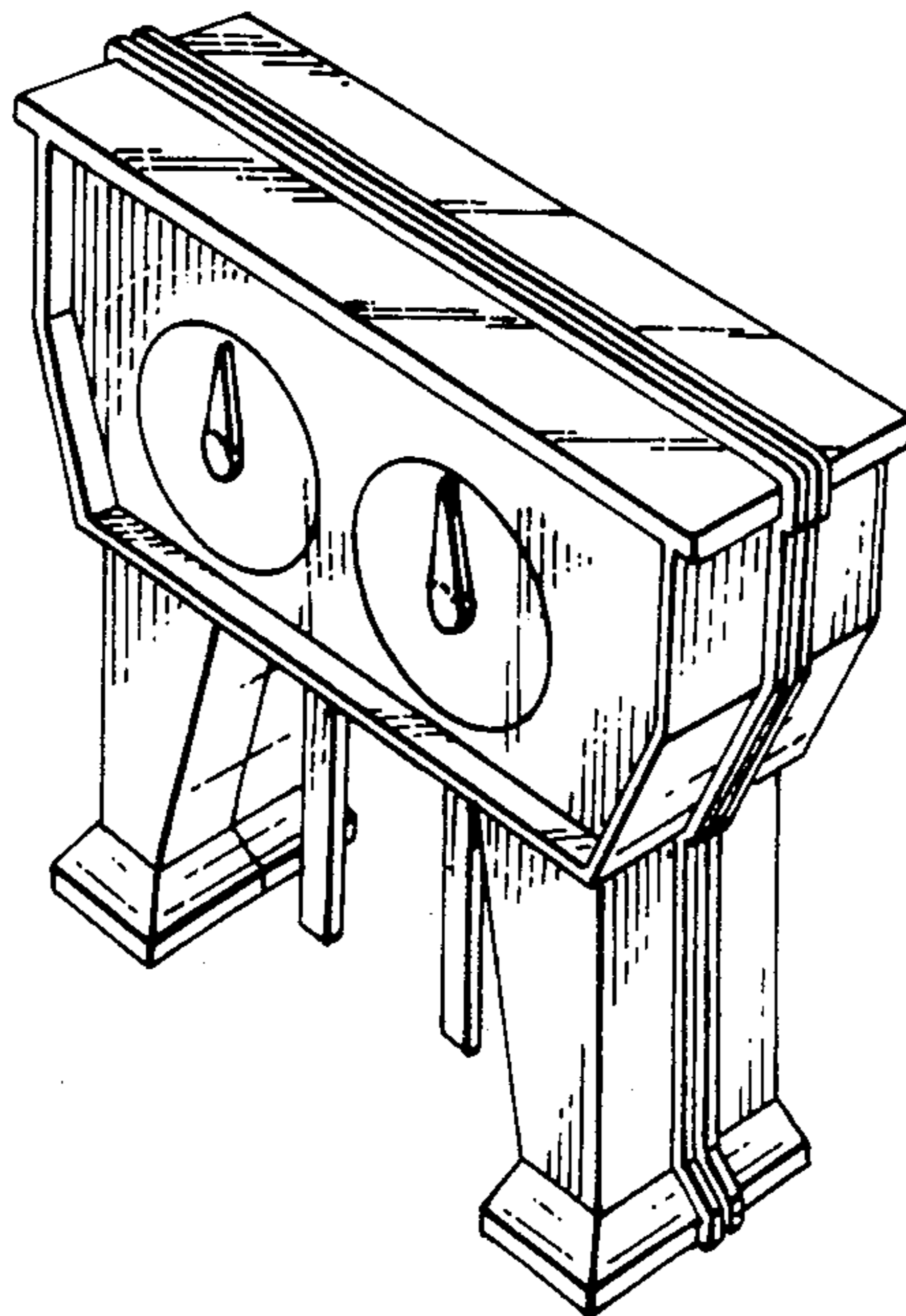


FIG. 2.

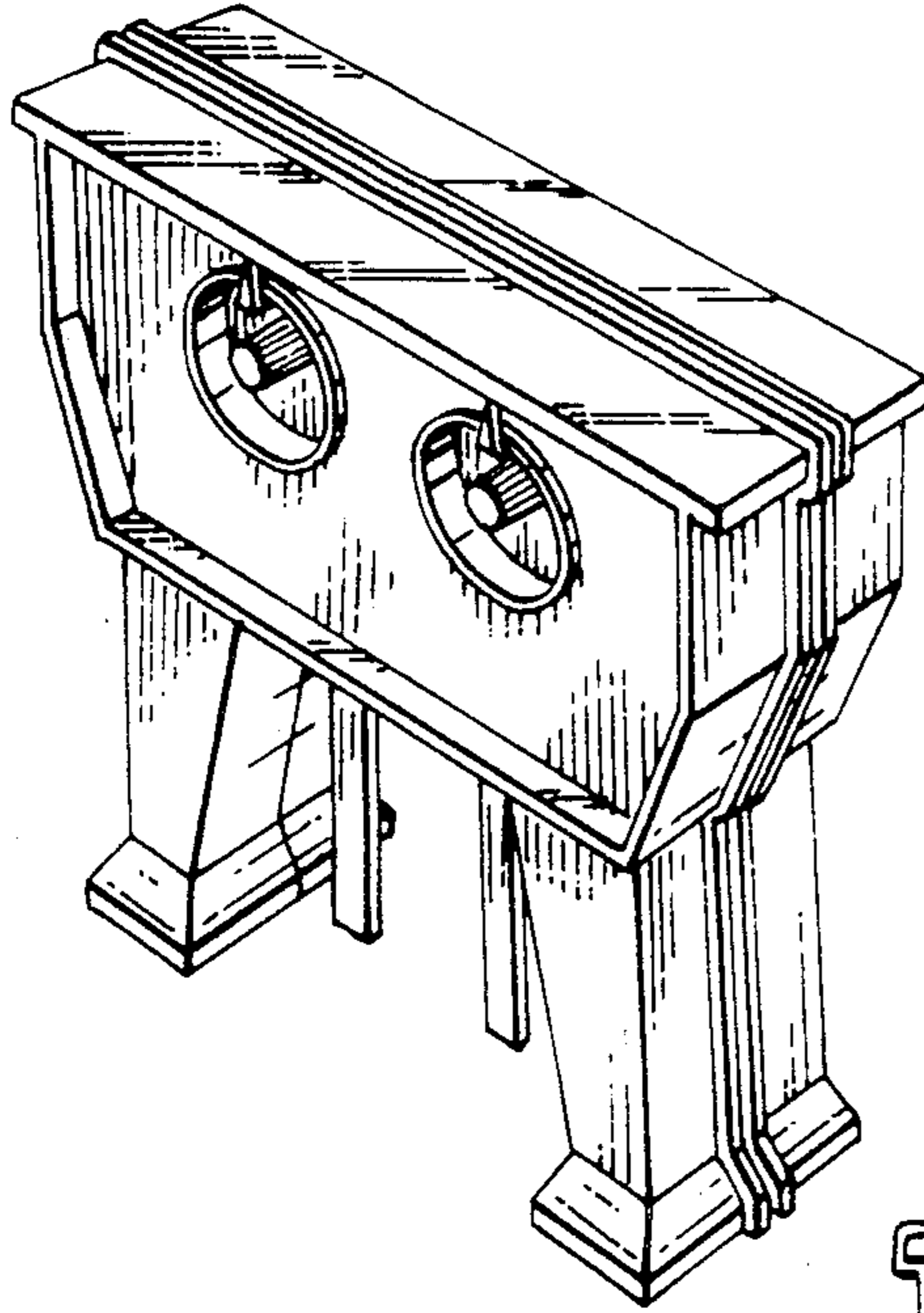


FIG. 1.

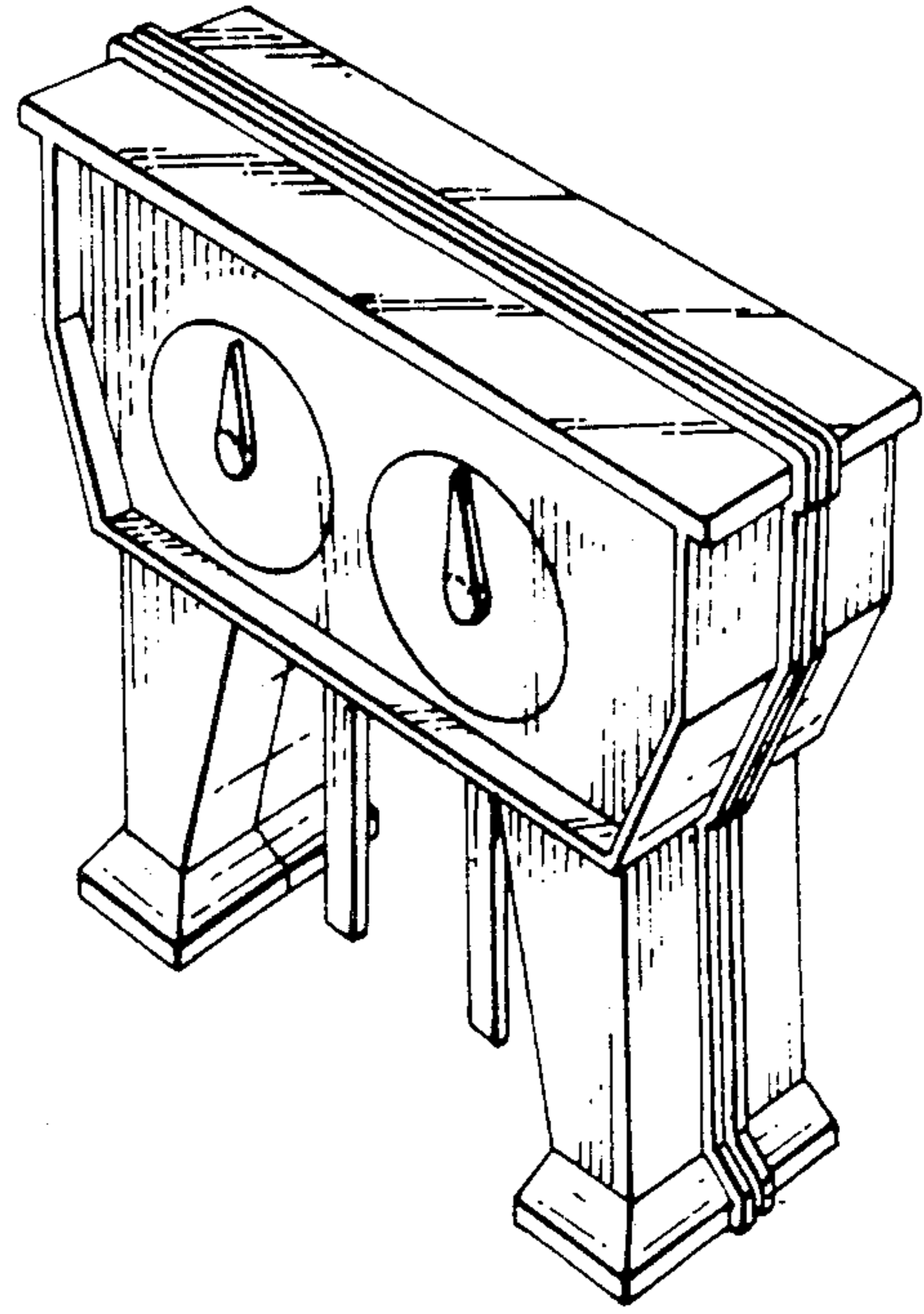


FIG. 3.

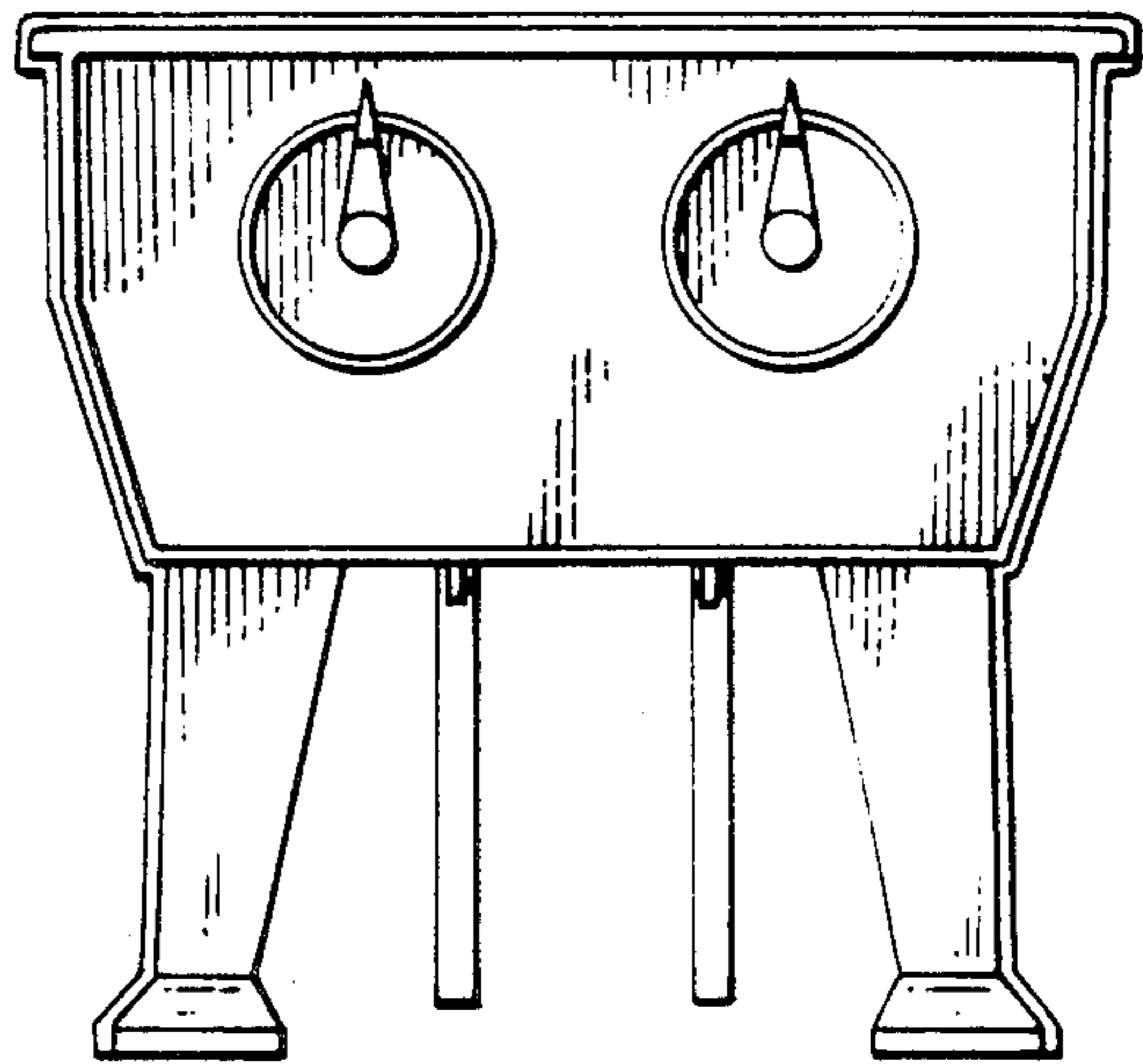


FIG. 4.

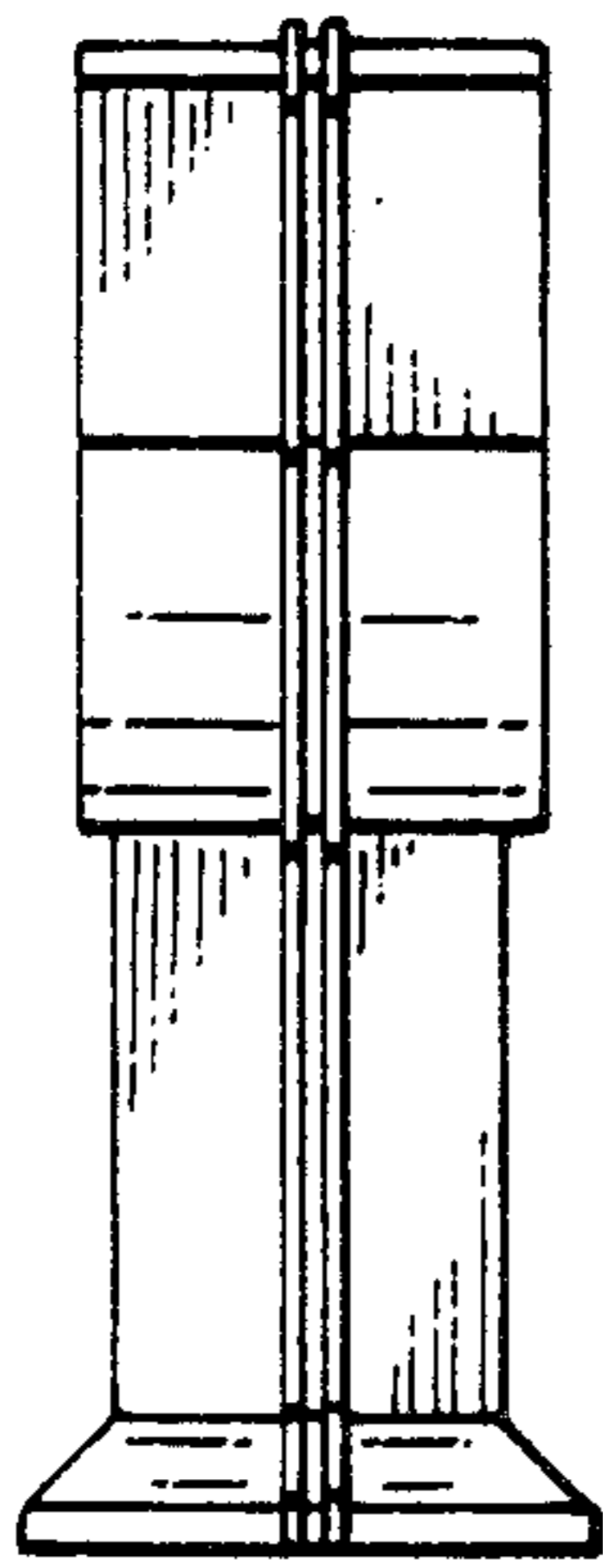


FIG. 5.

