

[54] ILLUMINATED HANGING SIGN CABINET

[75] Inventor: William A. Cobbe, Williamsburg, Ohio

[73] Assignee: Dualite, Inc., Williamsburg, Ohio

[**] Term: 14 Years

[21] Appl. No.: 552,786

[22] Filed: Nov. 17, 1983

[52] U.S. Cl. D20/10; D26/58

[58] Field of Search D6/300, 308, 310, 314, D6/419, 420, 429-431, 444, 446, 448, 450, 451, 470, 509-512, 522-524, 528, 531, 535, 546, 549, 552, 553, 555, 559, 561-563, 566-574; D8/373; D26/58; 362/127, 133; 312/224-226, 245; D20/10, 42; 40/573, 575, 605

[56] References Cited

U.S. PATENT DOCUMENTS

- D. 217,653 5/1970 Lofgren D20/10
- D. 251,335 3/1979 Carreo D20/10
- D. 265,484 7/1982 Kutschmende D20/10

- 1,449,804 3/1923 Anderson 40/573
- 1,790,583 1/1931 Hildebrant 40/573
- 3,516,187 6/1970 Espinosa 40/575

FOREIGN PATENT DOCUMENTS

- 60884 of 1912 Switzerland 40/573

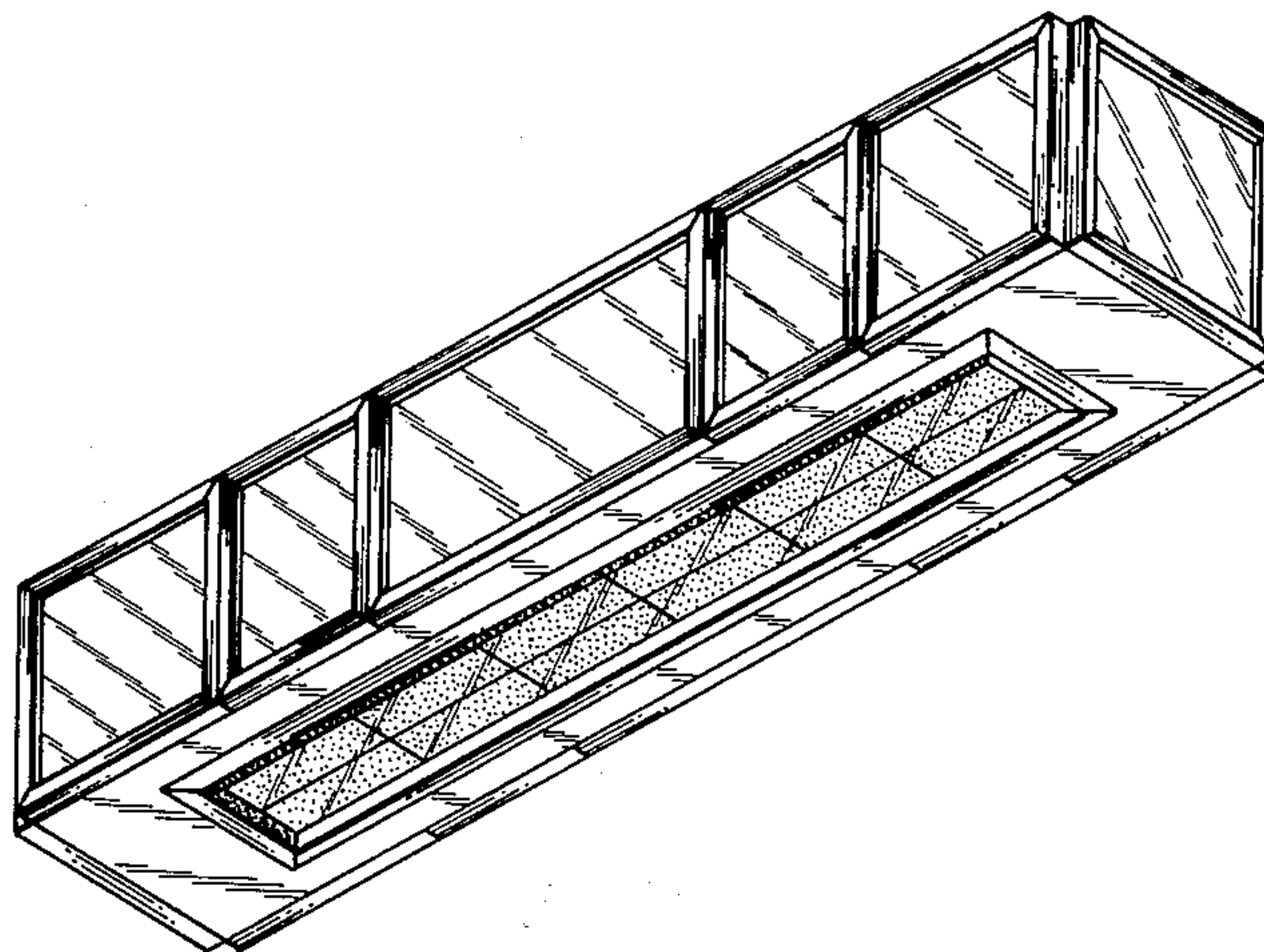
Primary Examiner—B. J. Bullock
Assistant Examiner—Suzanne N. Gitlin
Attorney, Agent, or Firm—Wood, Herron & Evans

[57] CLAIM

The ornamental design for an illuminated hanging sign cabinet, as shown and described.

DESCRIPTION

FIG. 1 is a perspective front bottom view of the illuminated hanging sign cabinet showing my new design.
FIG. 2 is a rear elevational view, the opposite side of which is a mirror image thereof.
FIG. 3 is an end elevational view, the opposite end of which is a mirror image thereof.
FIG. 4 is a bottom plan view thereof.
FIG. 5 is a top plan view thereof.



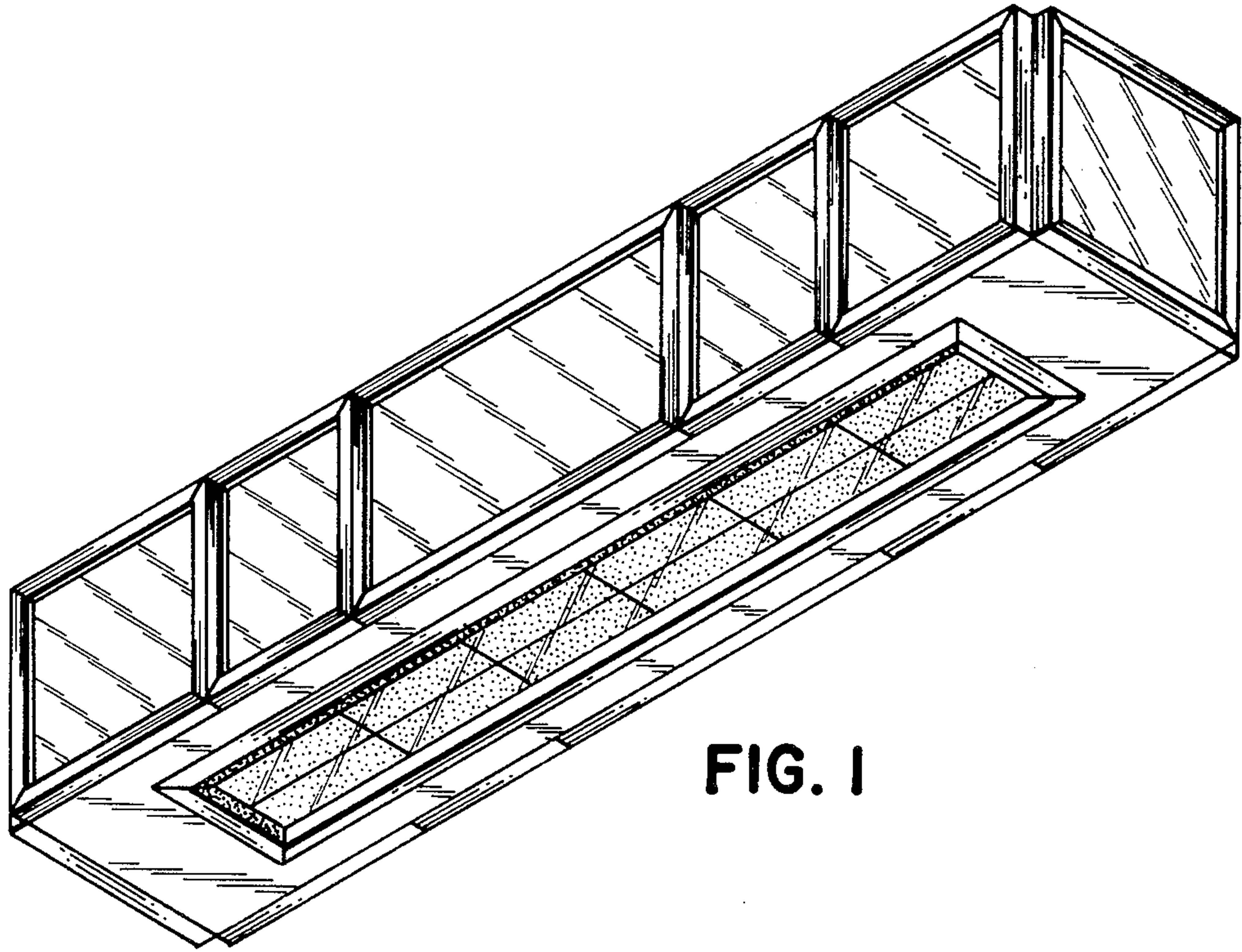


FIG. 1

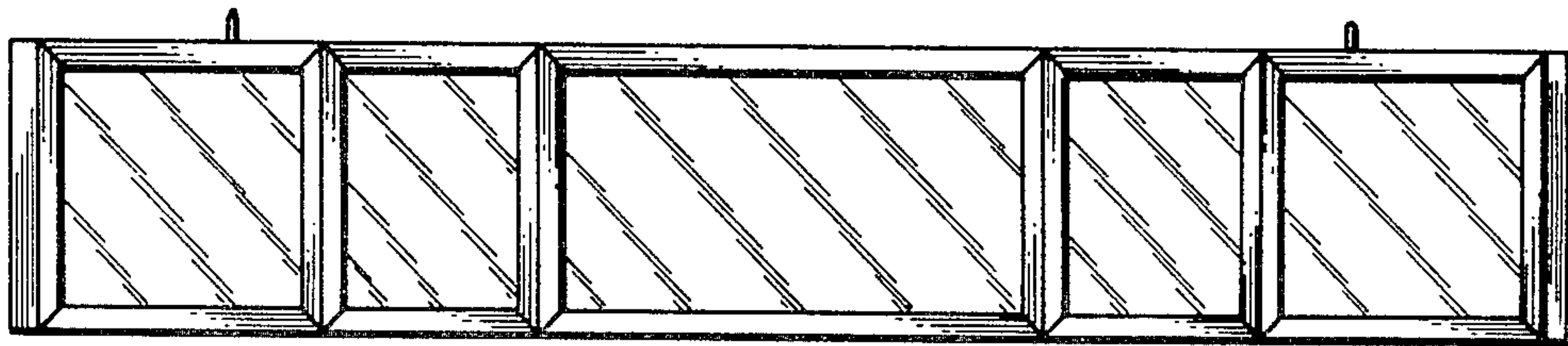


FIG. 2

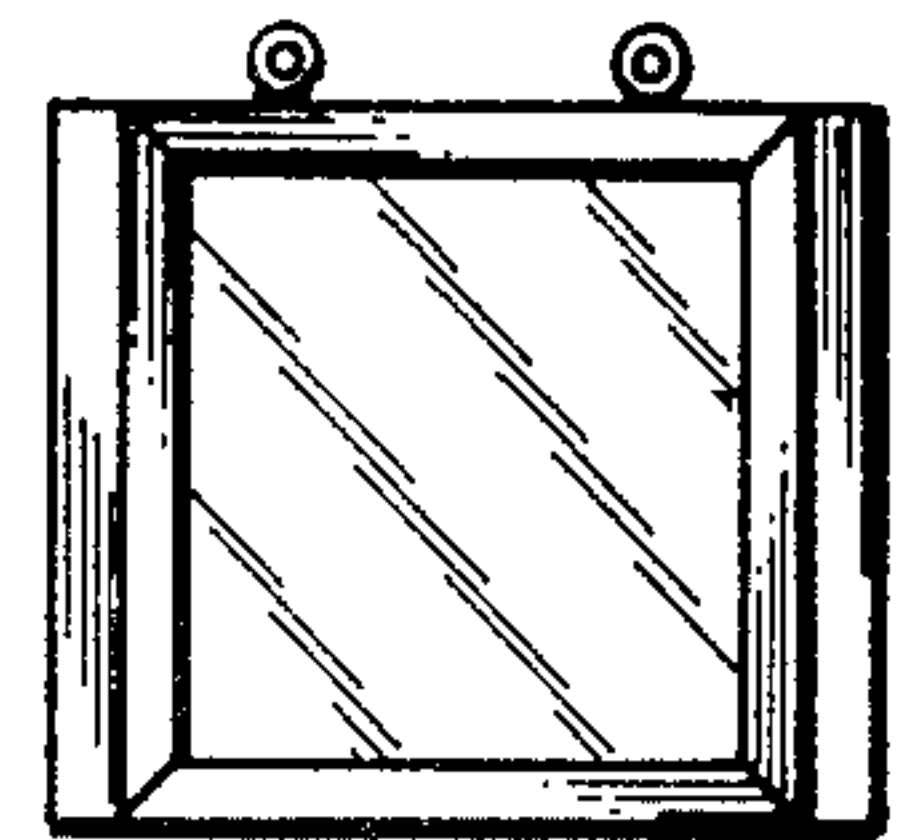


FIG. 3

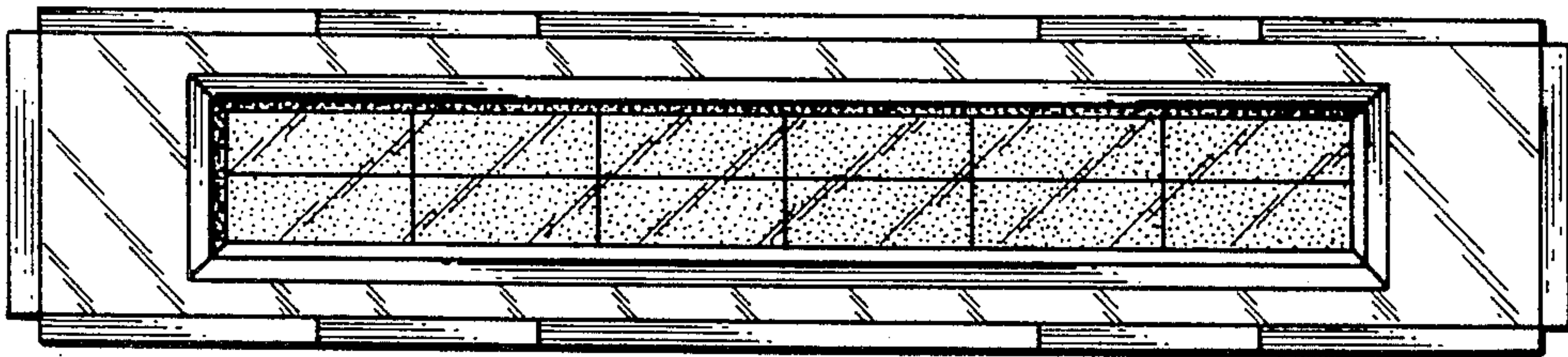


FIG. 4

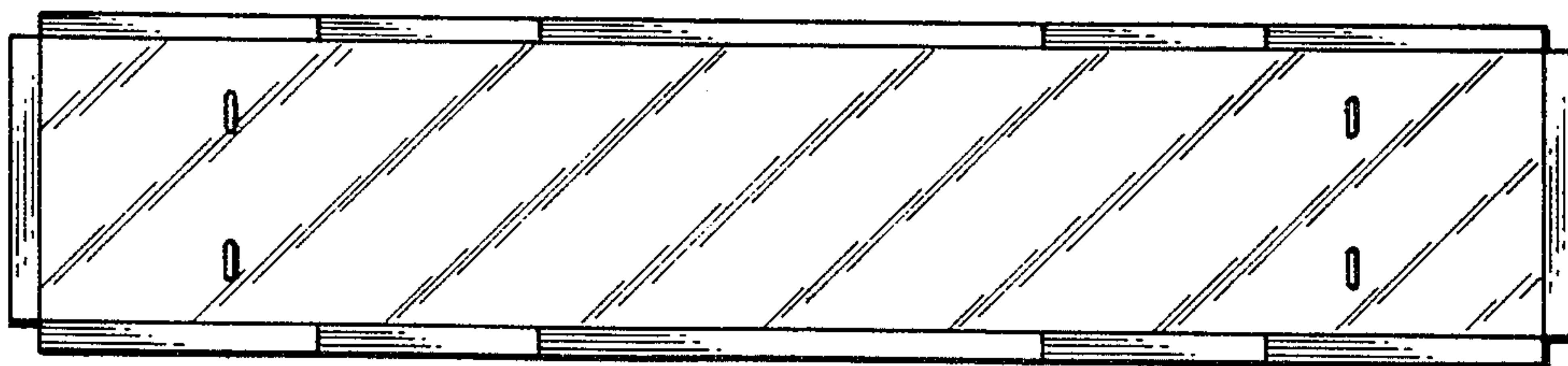


FIG. 5