

United States Patent [19]

Bellini

[11] Patent Number: Des. 281,786

[45] Date of Patent: ** Dec. 17, 1985

[54] PORTABLE ELECTRONIC TYPEWRITER

[75] Inventor: Mario Bellini, Milan, Italy

[73] Assignee: Ing. C. Olivetti & C., S.p.A., Ivrea, Italy

[**] Term: 14 Years

[21] Appl. No.: 541,565

[22] Filed: Oct. 13, 1983

[30] Foreign Application Priority Data

Apr. 13, 1983 [IT] Italy 53199/83[U]
[52] U.S. Cl. D18/1
[58] Field of Search D18/1, 2, 11, 13;
D14/100, 107, 111, 115; 400/689-694

[56] References Cited

U.S. PATENT DOCUMENTS

D. 258,663 3/1981 Bellini D18/1

OTHER PUBLICATIONS

Abitare 201, Jan.-Feb./1982, p. 10-Item 7-"Praxis 35", Olivetti by Bellini.
Olivetti Flyer #79565, printed 4/82, Praxis 40.

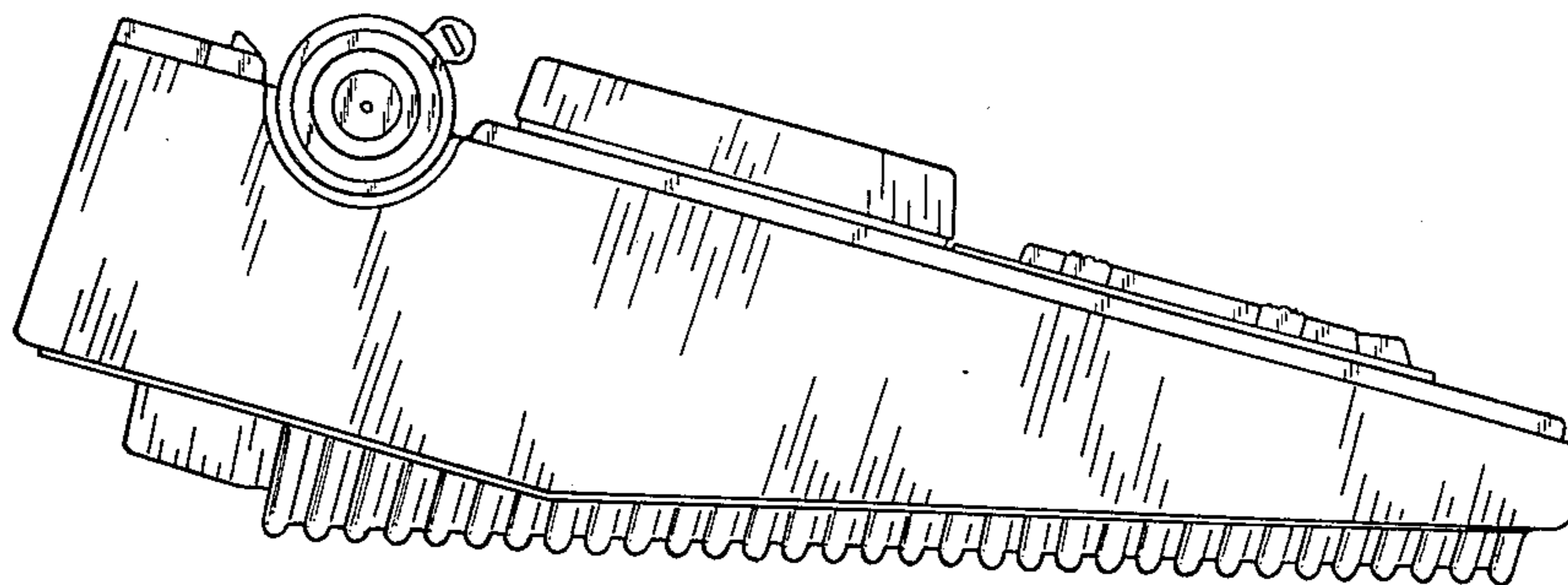
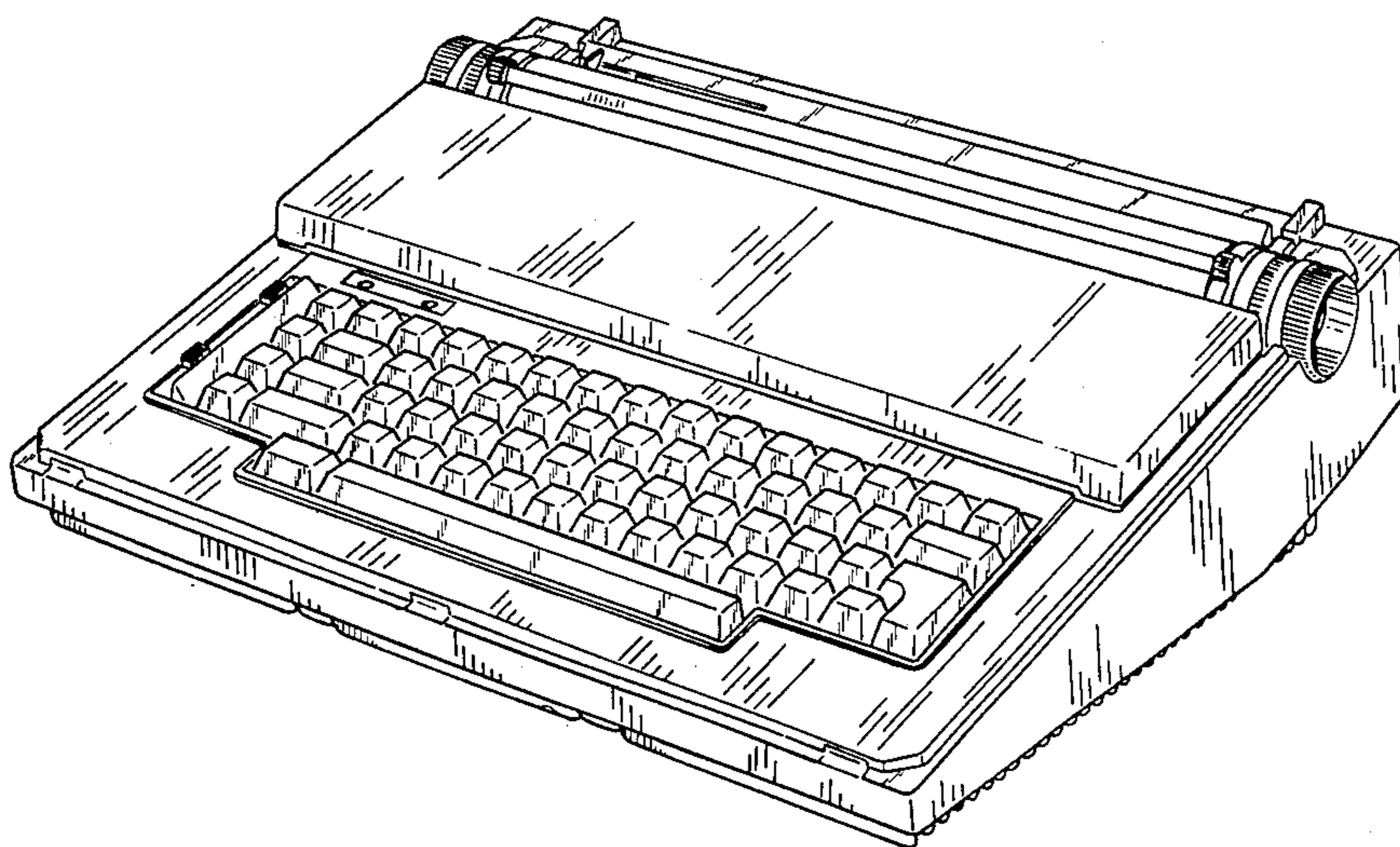
Primary Examiner—Louis S. Zarfes
Attorney, Agent, or Firm—Banner, Birch, McKie & Beckett

[57] CLAIM

The ornamental design for a portable electronic typewriter, substantially as shown and described.

DESCRIPTION

FIG. 1 is a front and right perspective view of a portable electronic typewriter showing my new design; FIG. 2 is a rear and left perspective view thereof; and FIG. 3 is a left side elevational view thereof.



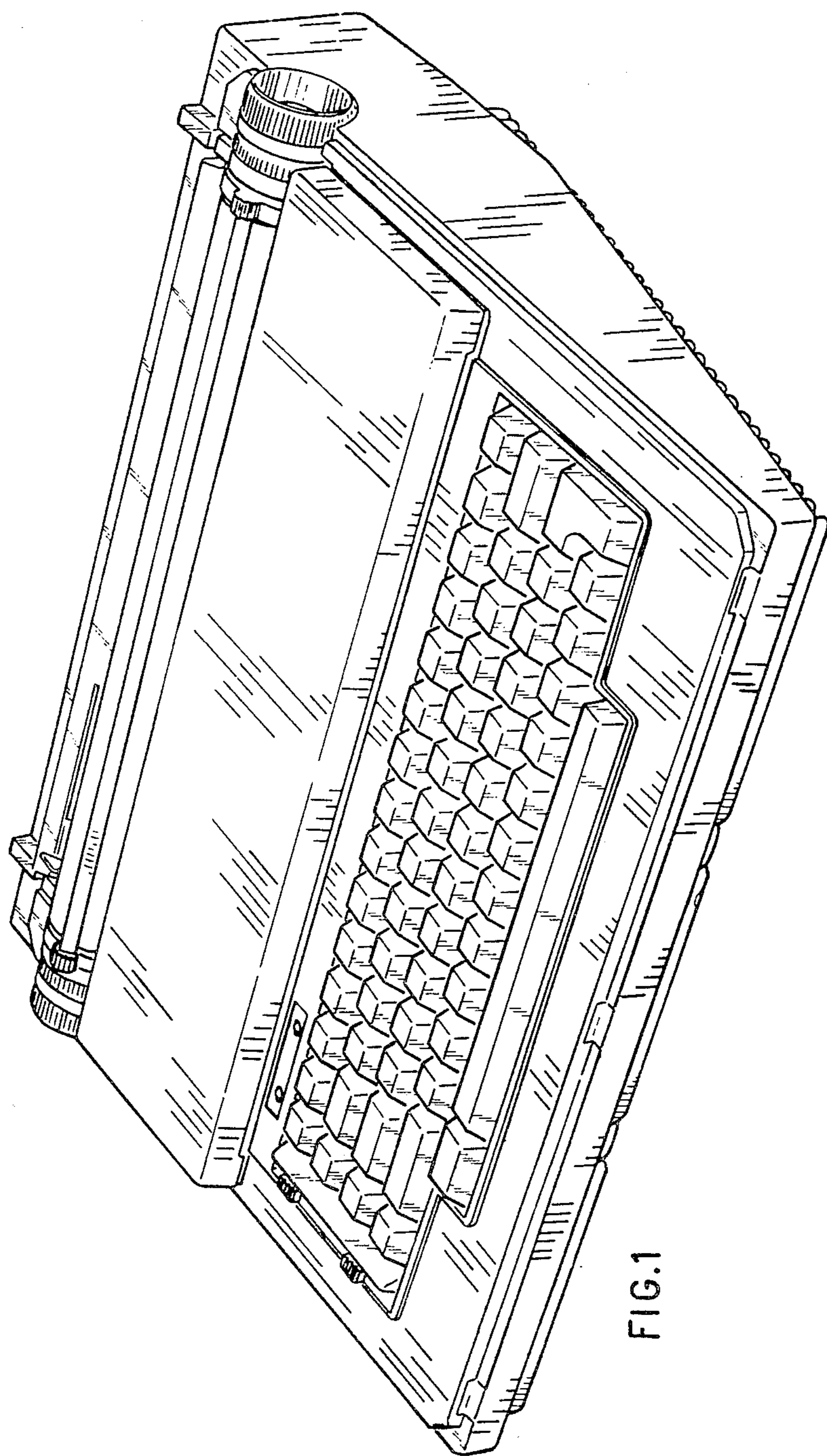


FIG.1

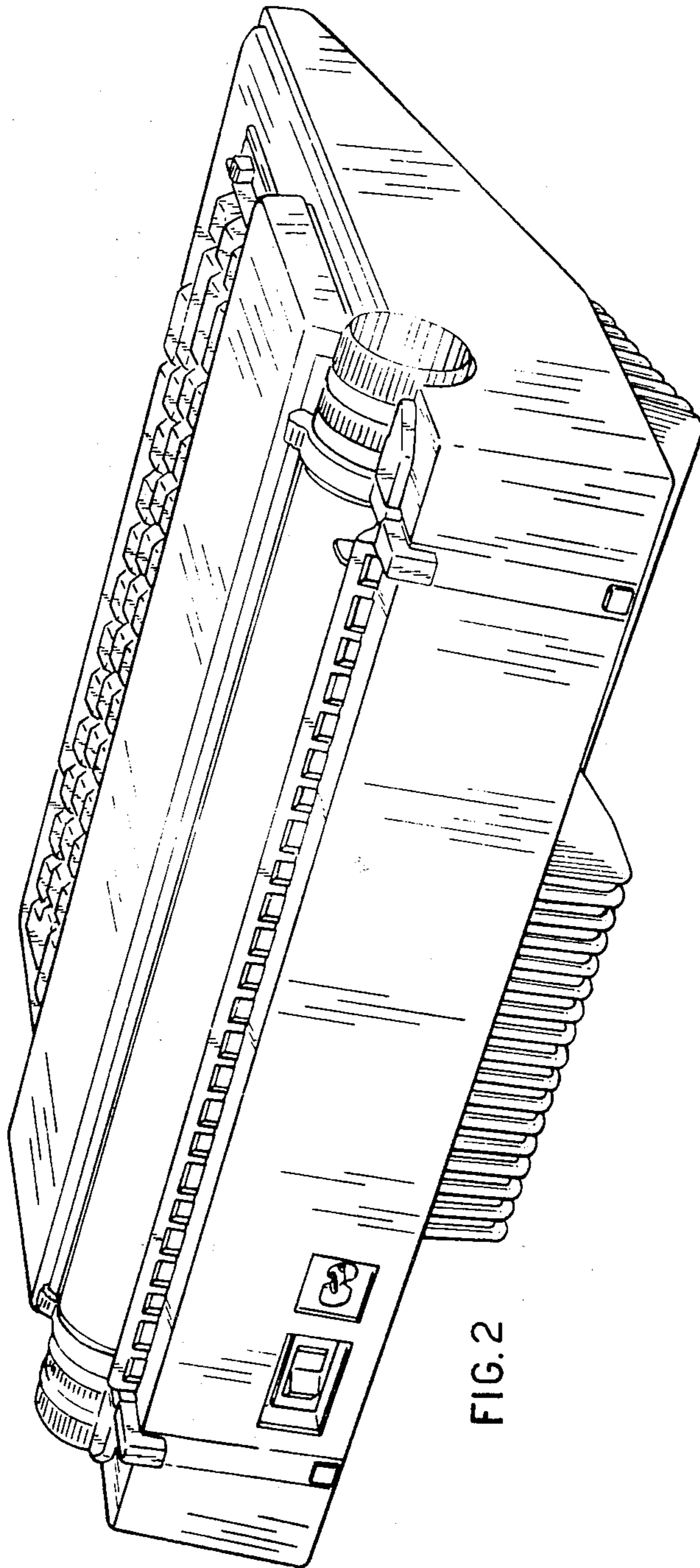


FIG. 2

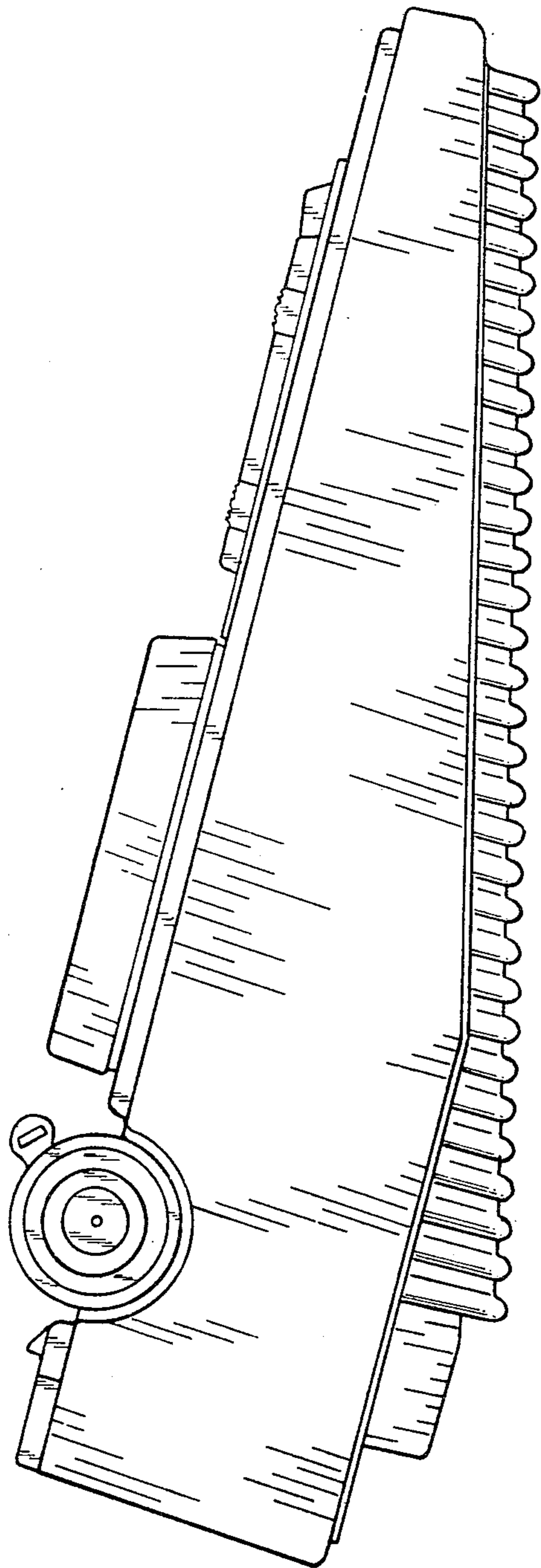


FIG. 3