

[54] ANTENNA RAILING MOUNT

[76] Inventor: Donald G. Lilly, 9 Woodmere Dr., Northport, N.Y. 11768

[**] Term: 14 Years

[21] Appl. No.: 532,533

[22] Filed: Sep. 15, 1983

[52] U.S. Cl. D14/91

[58] Field of Search D14/90, 91; D8/396, D8/380, 387, 373; 343/882

[56] References Cited

U.S. PATENT DOCUMENTS

3,304,037 2/1967 Candela 343/882 X

OTHER PUBLICATIONS

Domestic Engineering, 7-59, p. 51, Item #261.

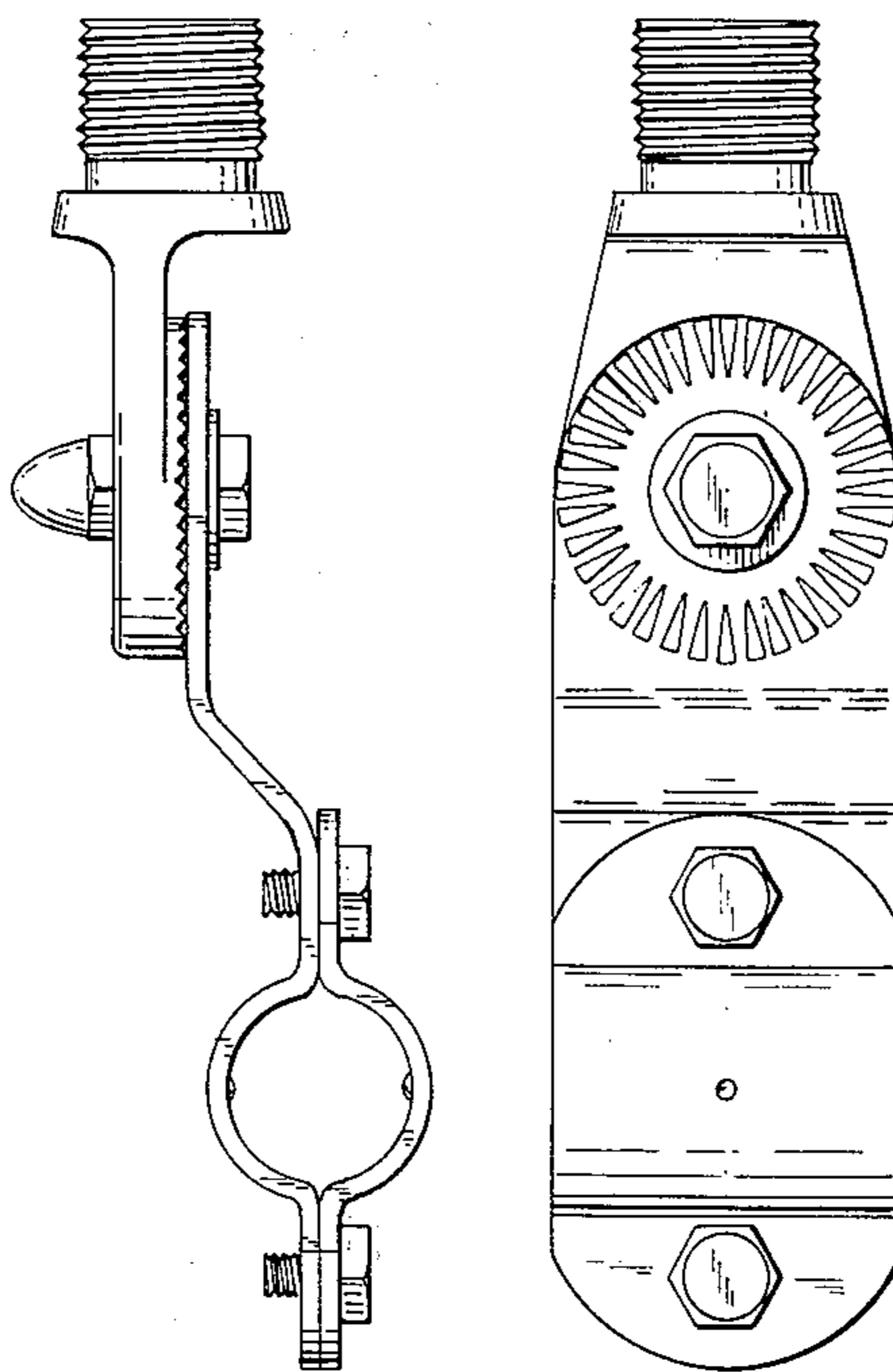
Primary Examiner—Jane E. Corrigan

[57] CLAIM

The ornamental design for antenna railing mount, as shown and described.

DESCRIPTION

FIG. 1 is a top plan view of an antenna railing mount showing my new design; FIG. 2 is a side elevational view thereof, the side opposite being substantial a mirror image; FIG. 3 is a front elevational view thereof; FIG. 4 is a rear elevational view thereof; and FIG. 5 is a bottom plan view thereof.



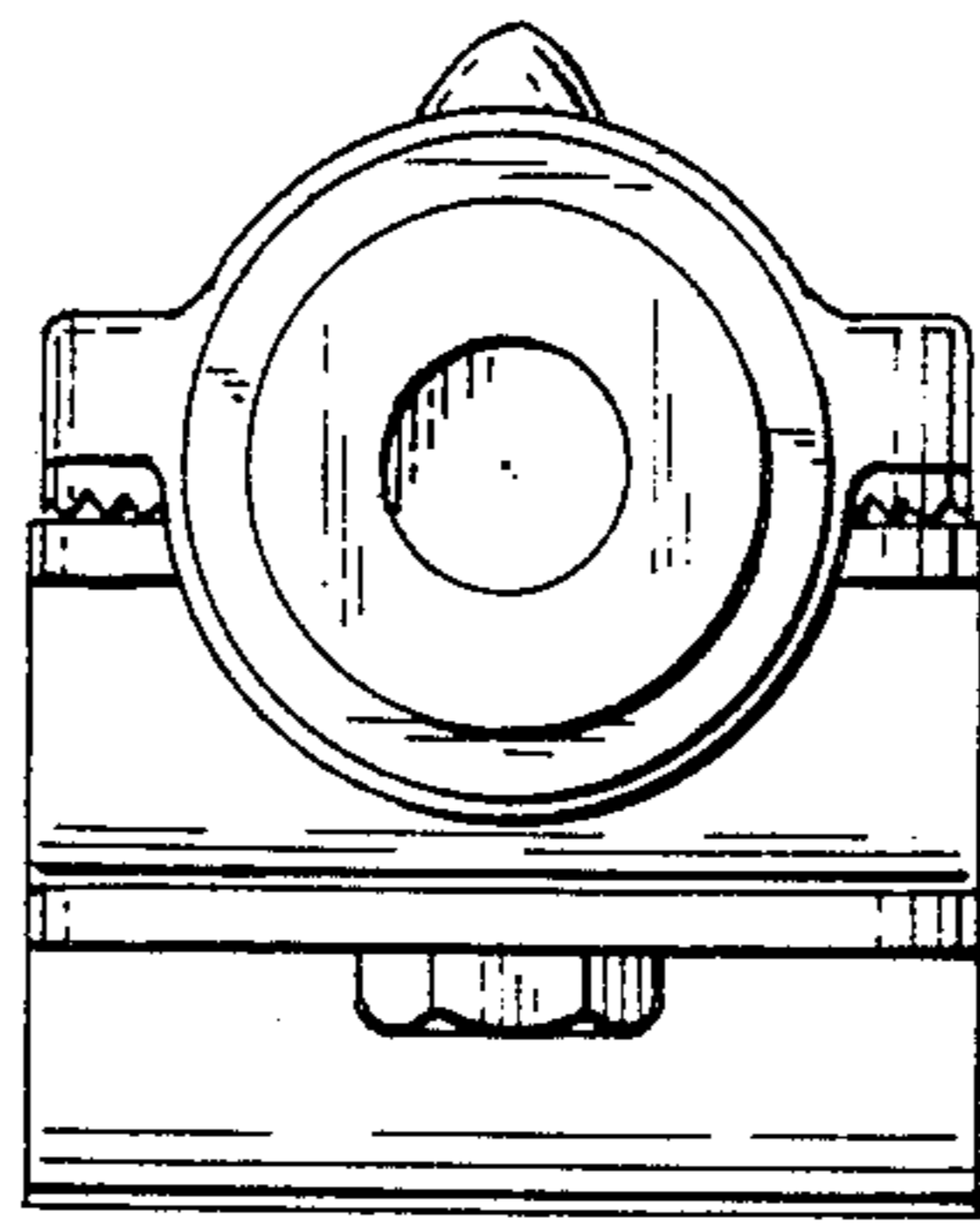


Fig. 1

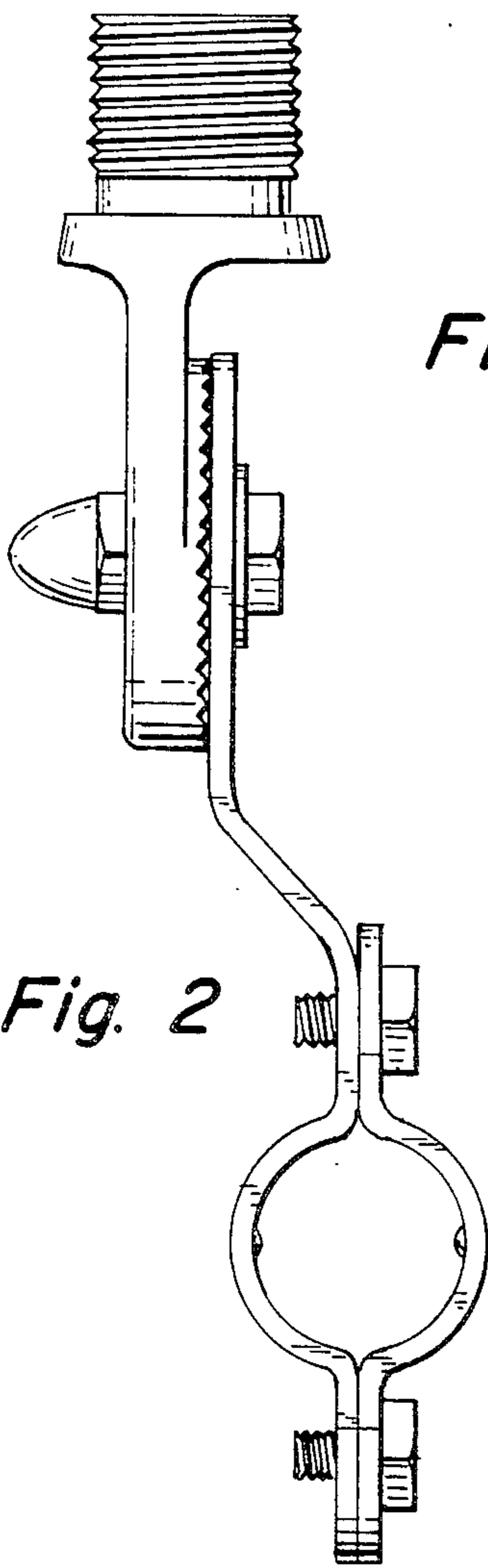


Fig. 2

Fig. 3

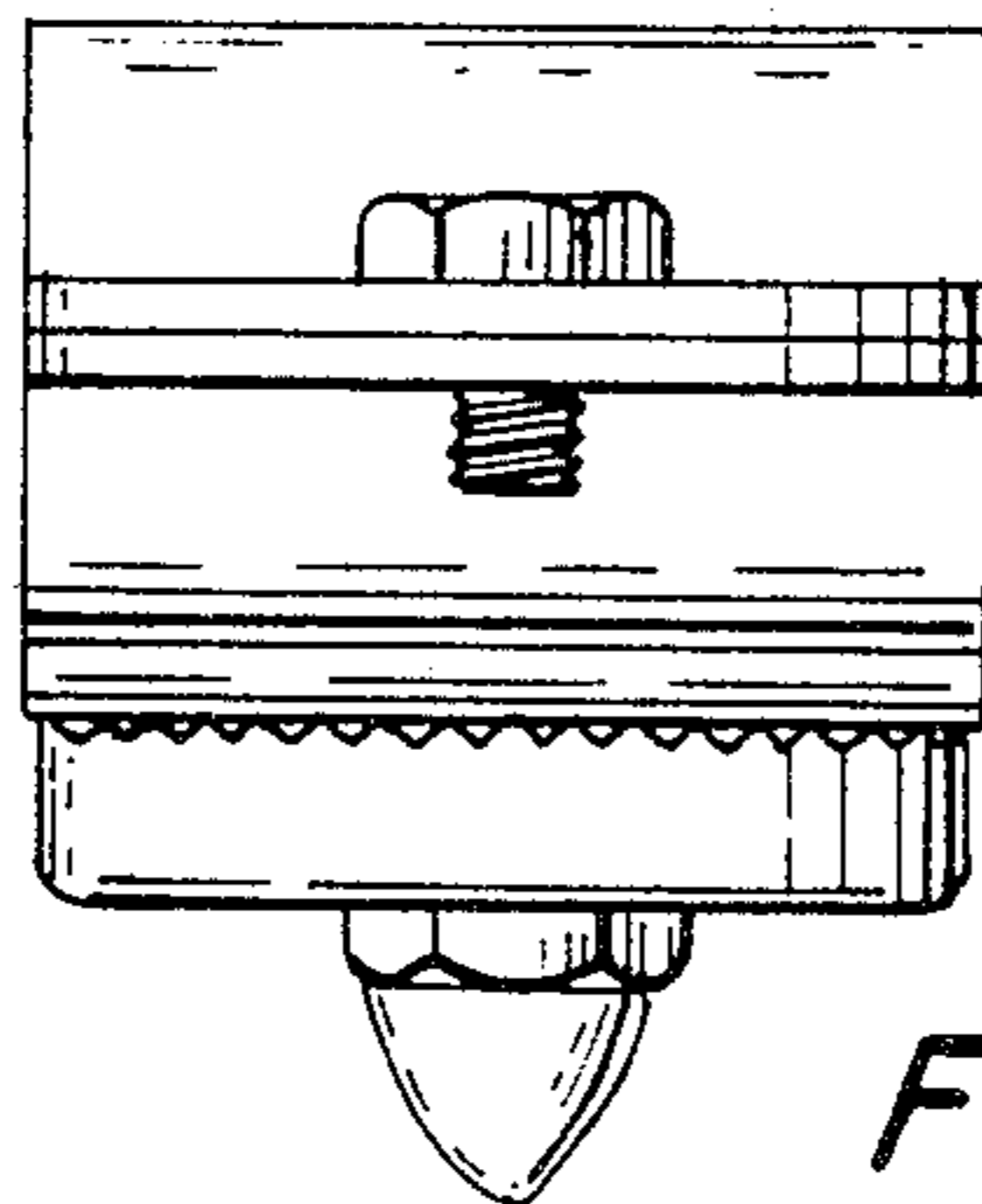
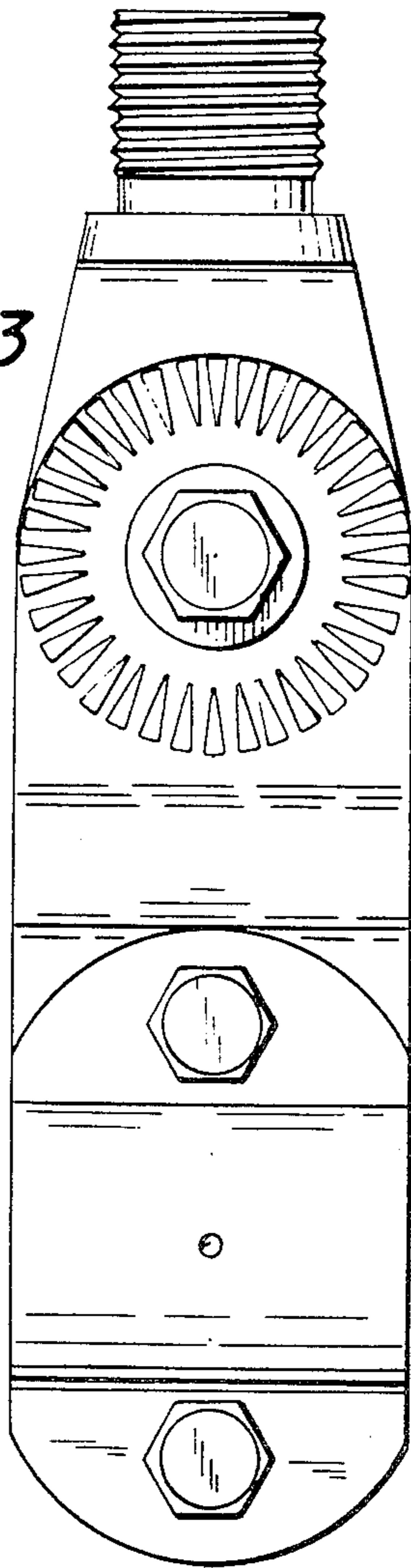


Fig. 5

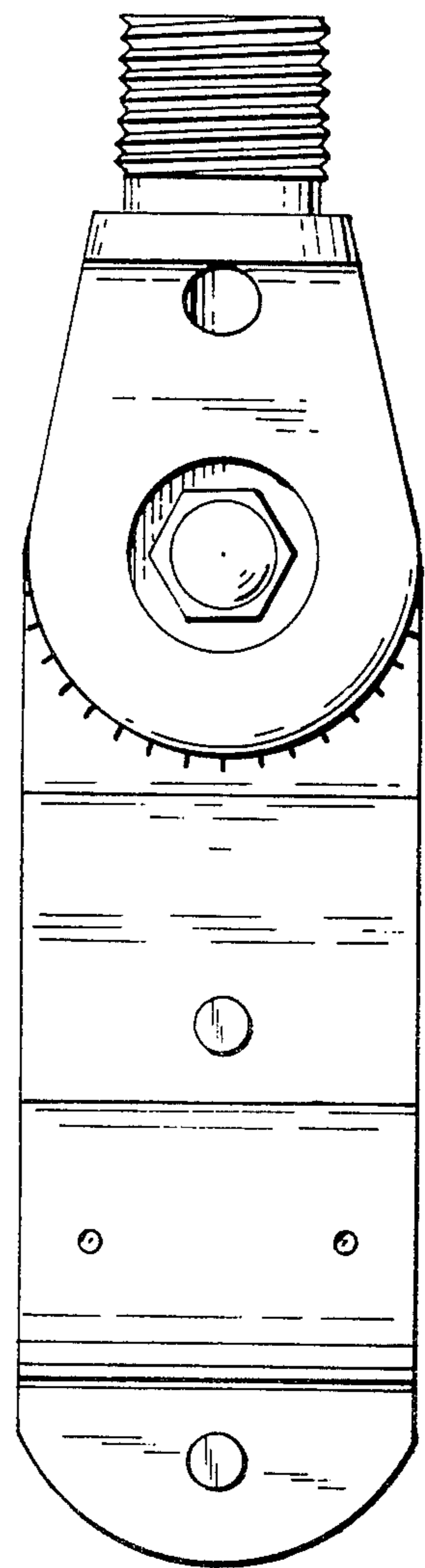


Fig. 4