

[54] VEHICLE SPLASH GUARD

[75] Inventor: Douglas K. Ward, Toronto, Canada

[73] Assignee: Powerflow, Inc., Buffalo, N.Y.

[\*\*] Term: 14 Years

[21] Appl. No.: 496,269

[22] Filed: May 19, 1983

[52] U.S. Cl. .... D12/185

[58] Field of Search ..... D12/185; 280/154.5 R

[56] References Cited

U.S. PATENT DOCUMENTS

D. 241,827 10/1976 Podall ..... D12/185

FOREIGN PATENT DOCUMENTS

1072496 6/1967 United Kingdom ..... 280/154.5 R

OTHER PUBLICATIONS

J.C. Whitney Catalog No. 356B, ©1976, p. 53, Combination Rubber & Stainless Steel Splash Guard, second row in & second box down from top left side.

J.C. Whitney Catalog No. 426B, ©1982, p. 118, Super Wide Rubber & Stainless Steel Splash Guard, second box up from bottom center of page.

Primary Examiner—James M. Gandy  
Attorney, Agent, or Firm—Watts, Hoffman, Fisher & Heinke Co.

[57] CLAIM

The ornamental design for a vehicle splash guard, as shown and described.

DESCRIPTION

FIG. 1 is a front perspective view of a vehicle splash guard showing my new design;

FIG. 2 is a rear perspective view thereof;

FIG. 3 is a front perspective view of a vehicle splash guard showing a second embodiment of my new design;

FIG. 4 is a rear perspective view thereof;

FIG. 5 is a front perspective view of a vehicle splash guard showing a third embodiment of my new design;

FIG. 6 is a rear perspective view of FIG. 5;

FIG. 7 is a front perspective view of a vehicle splash guard showing a fourth embodiment of my new design;

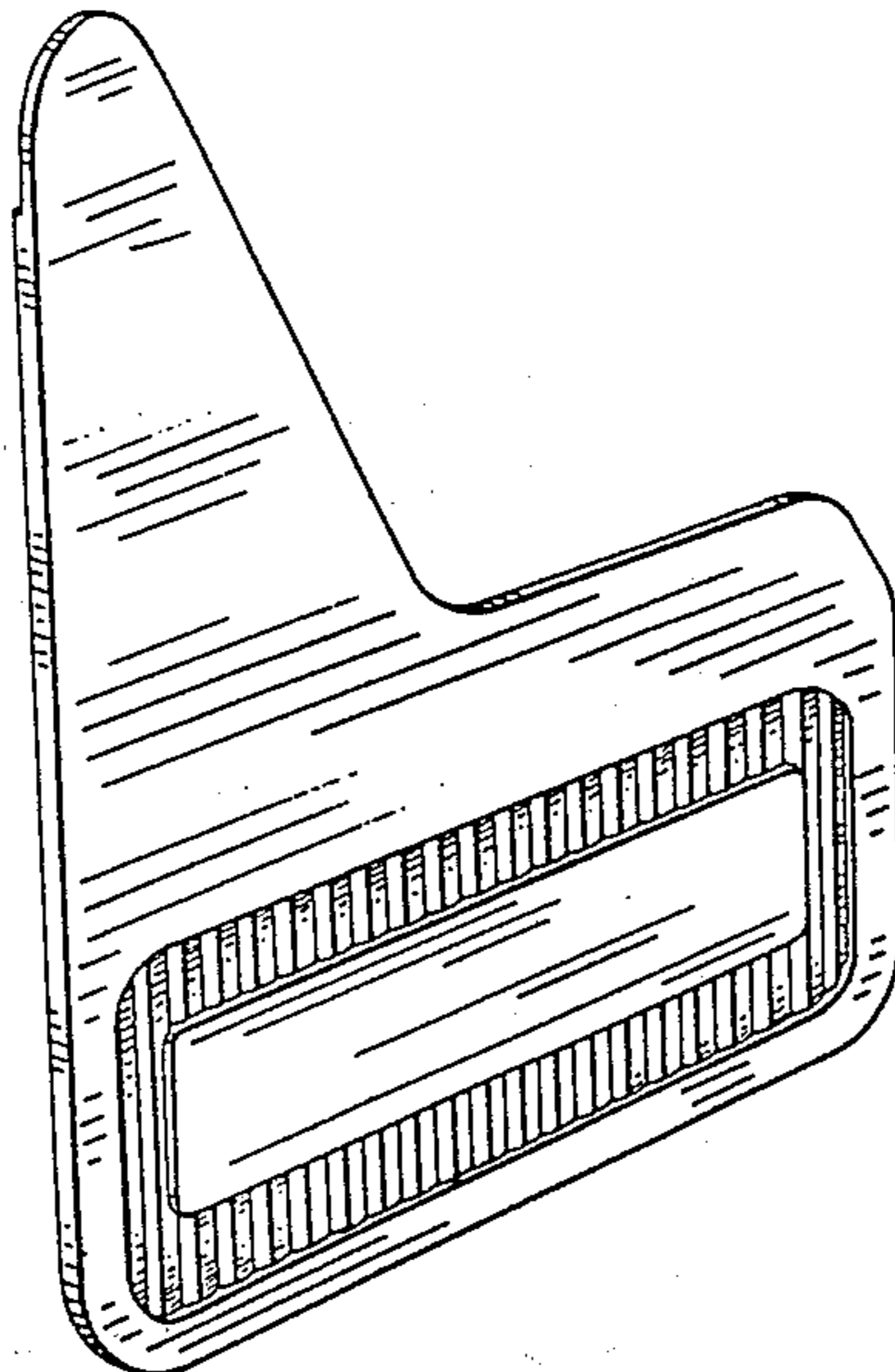
FIG. 8 is a rear perspective view of FIG. 7;

FIG. 9 is a front perspective view of a vehicle splash guard showing a fifth embodiment of my new design;

FIG. 10 is a rear perspective view of FIG. 9;

FIG. 11 is a front perspective view of a vehicle splash guard showing a sixth embodiment of my new design; and

FIG. 12 is a rear perspective view of FIG. 11.



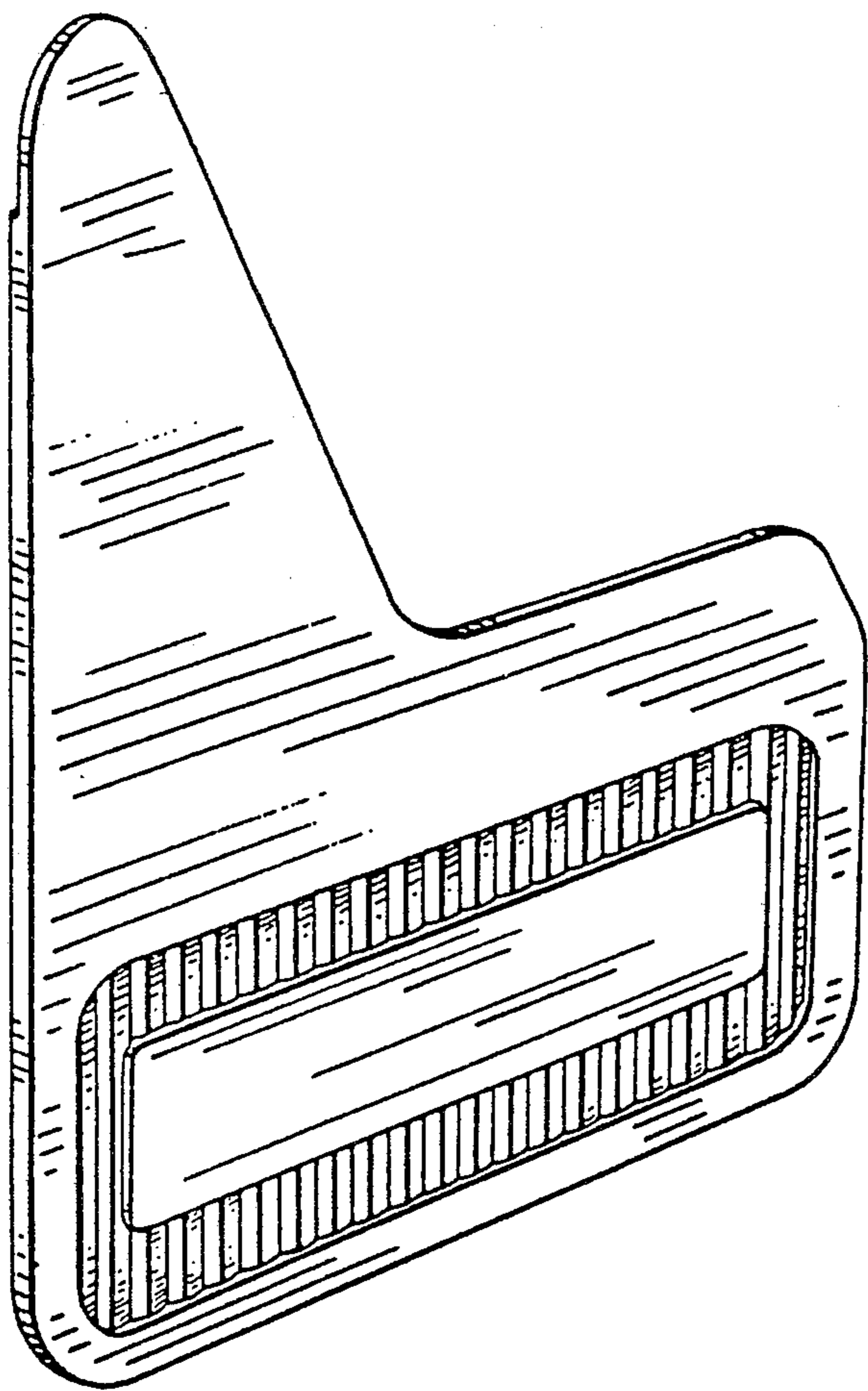


Fig. 1

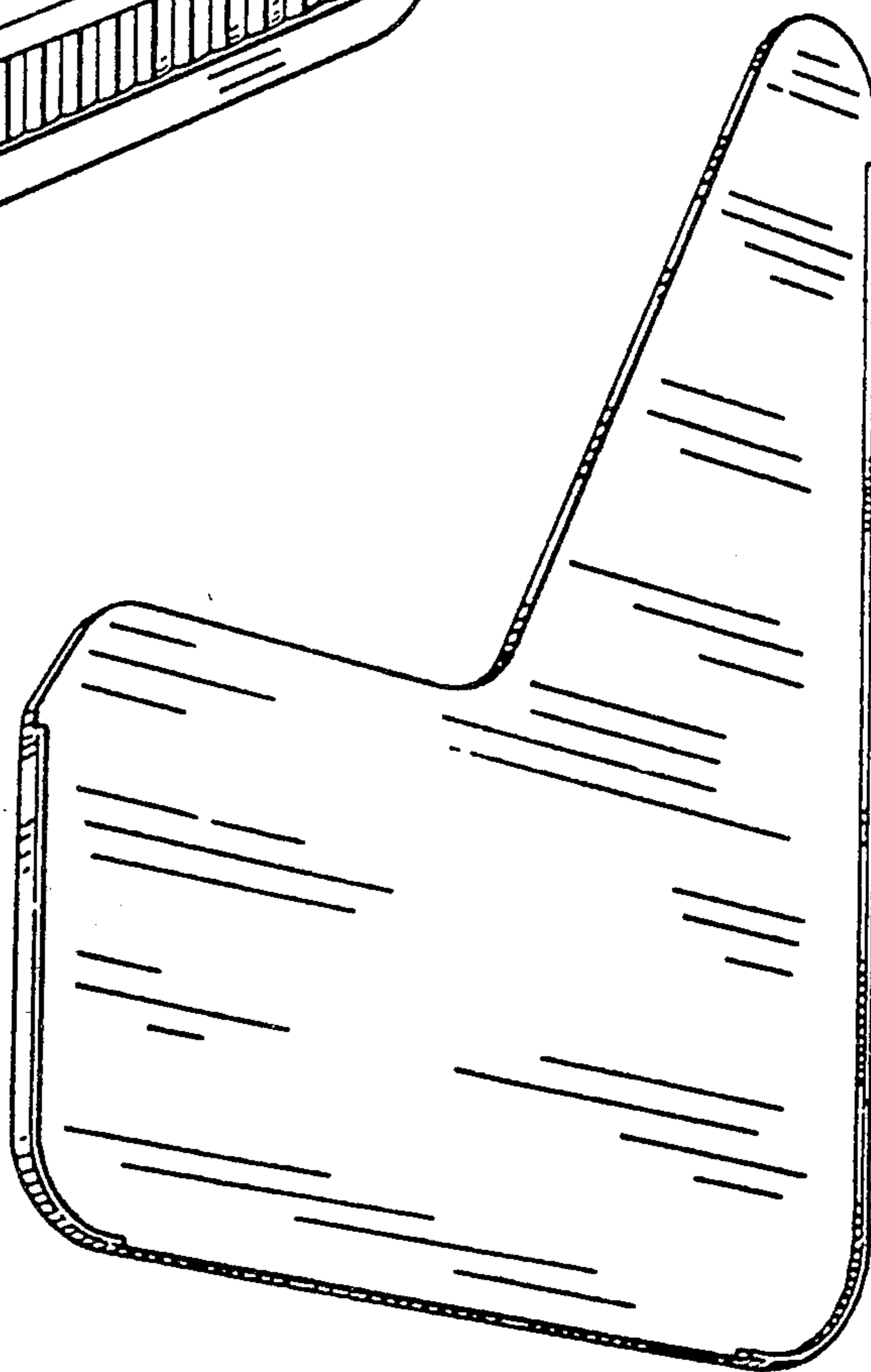


Fig. 2

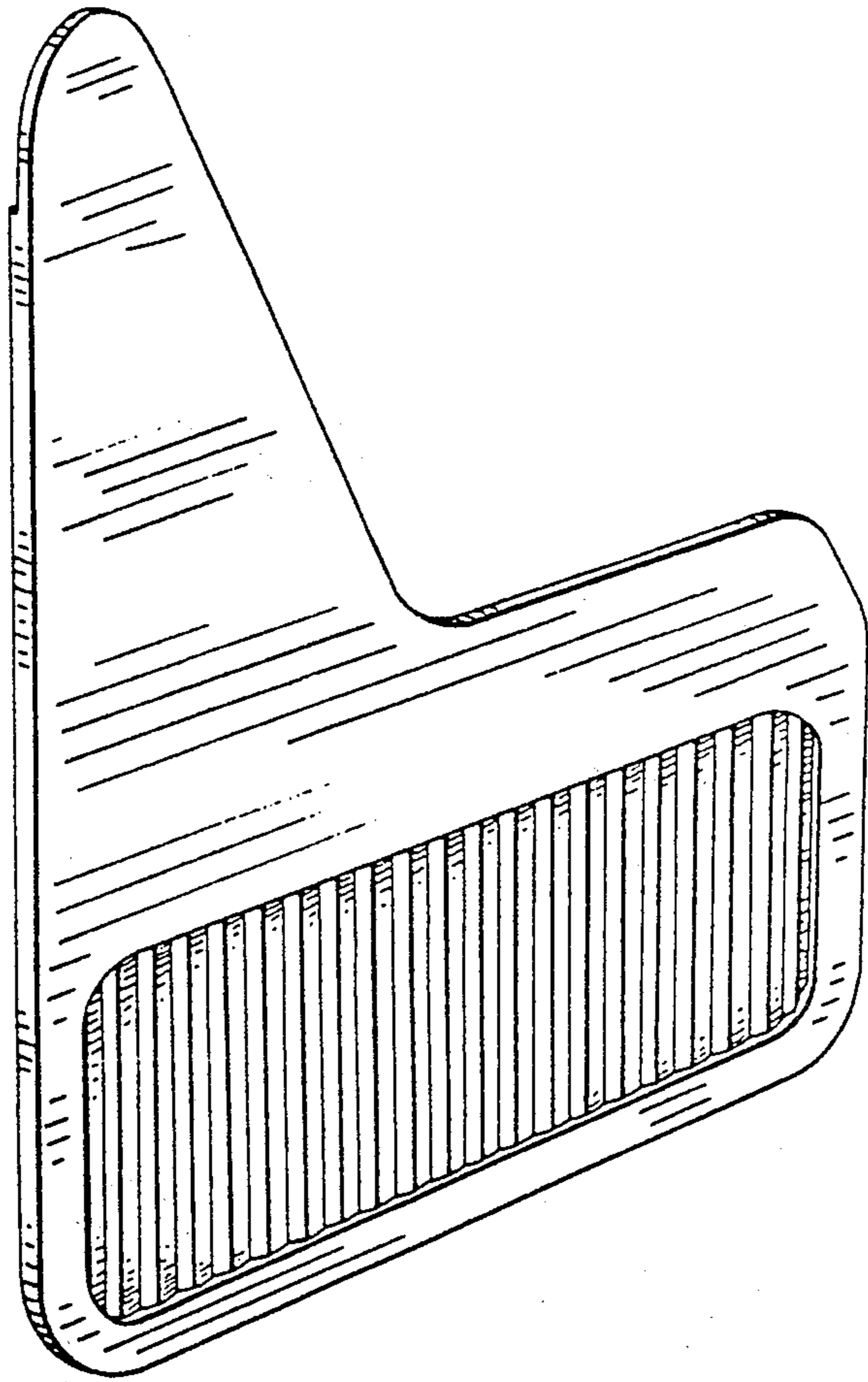


Fig. 3

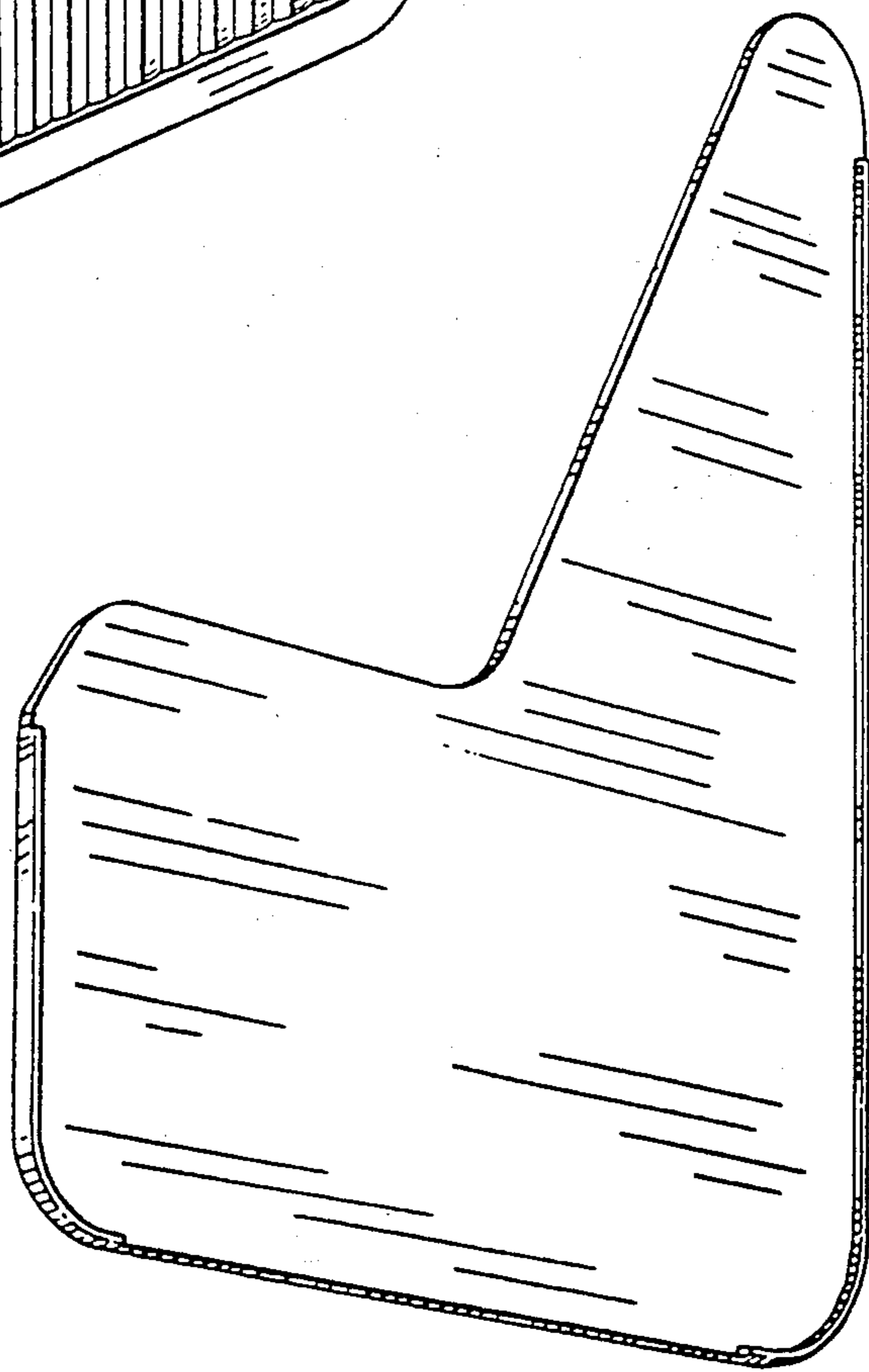


Fig. 4

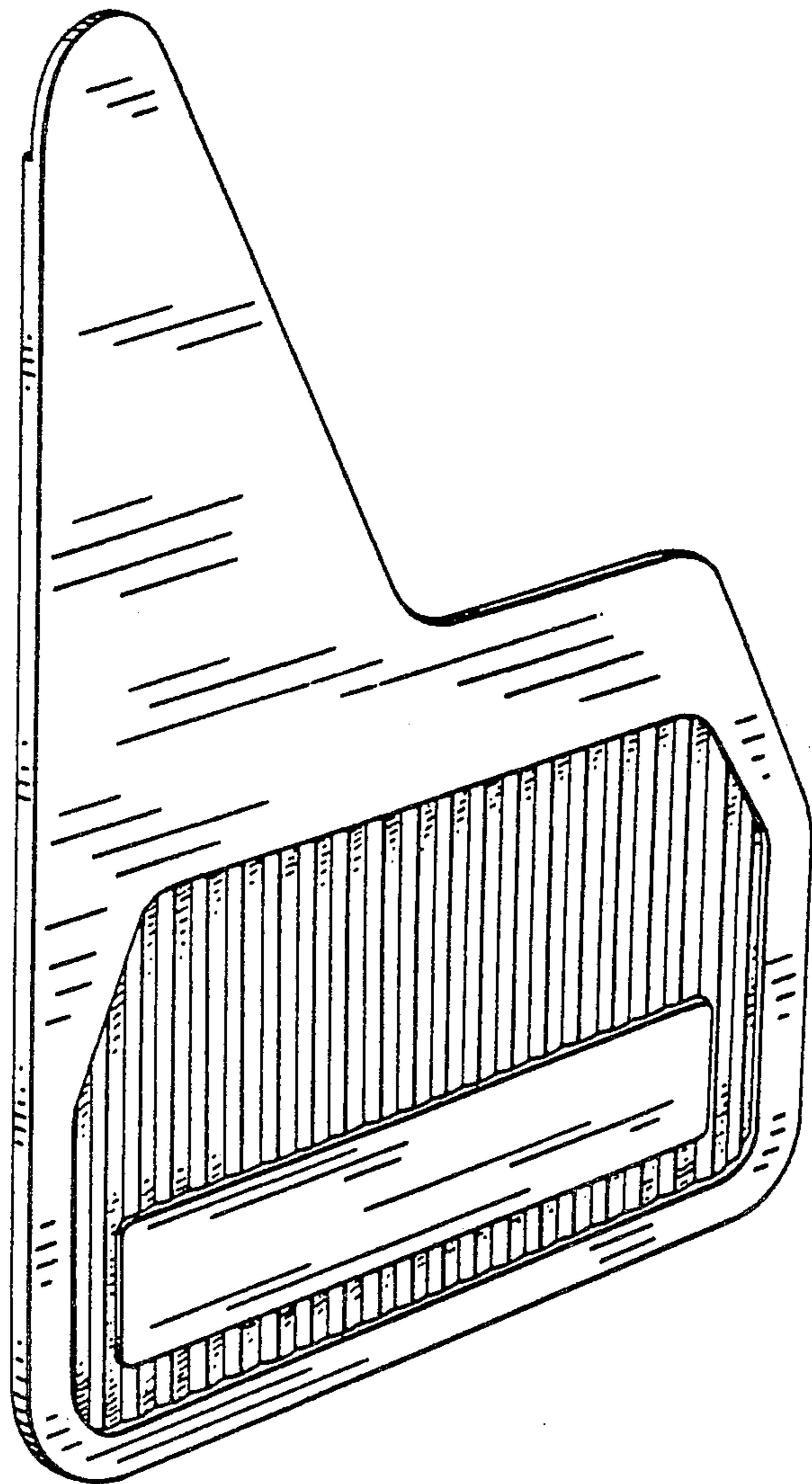


Fig. 5

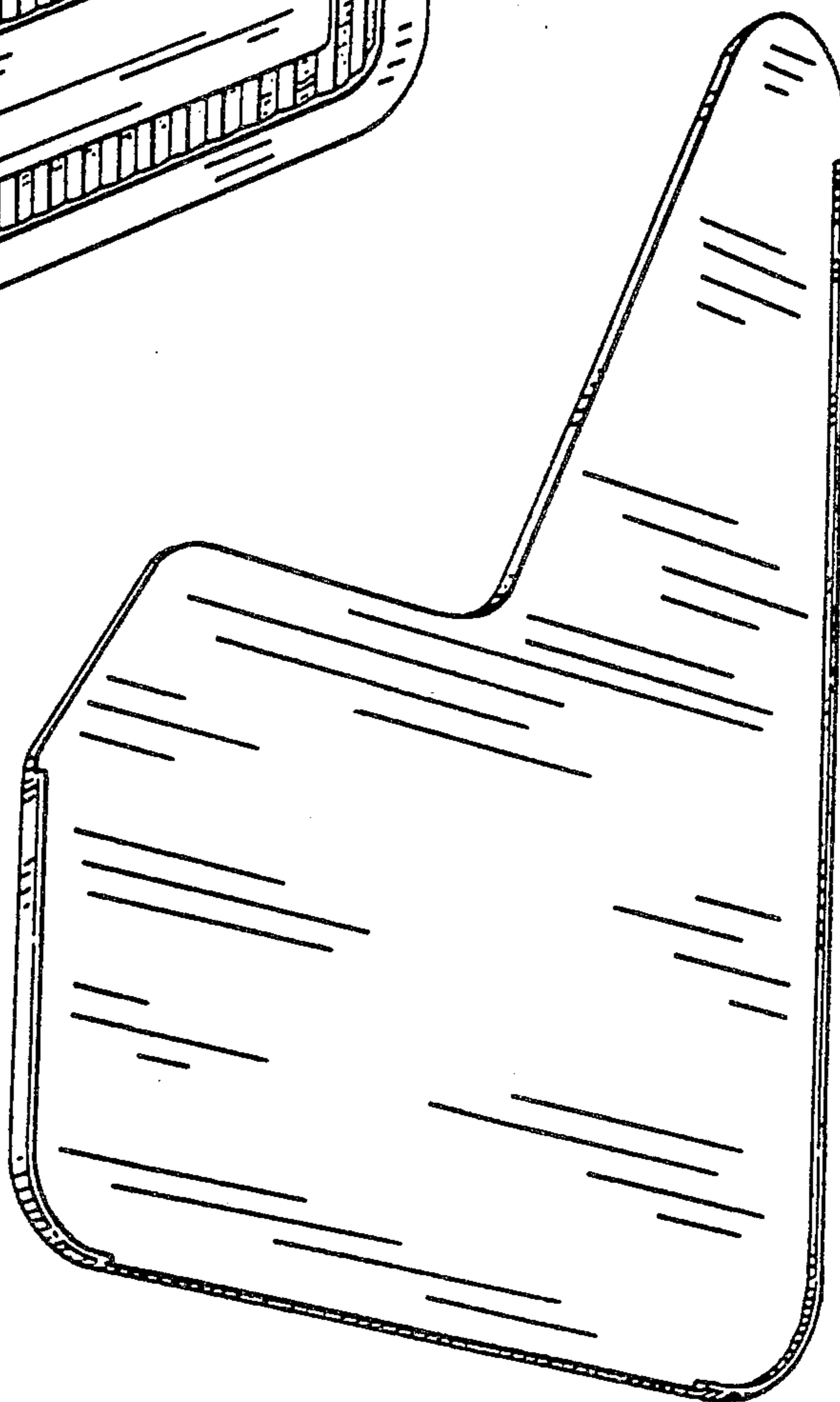


Fig. 6

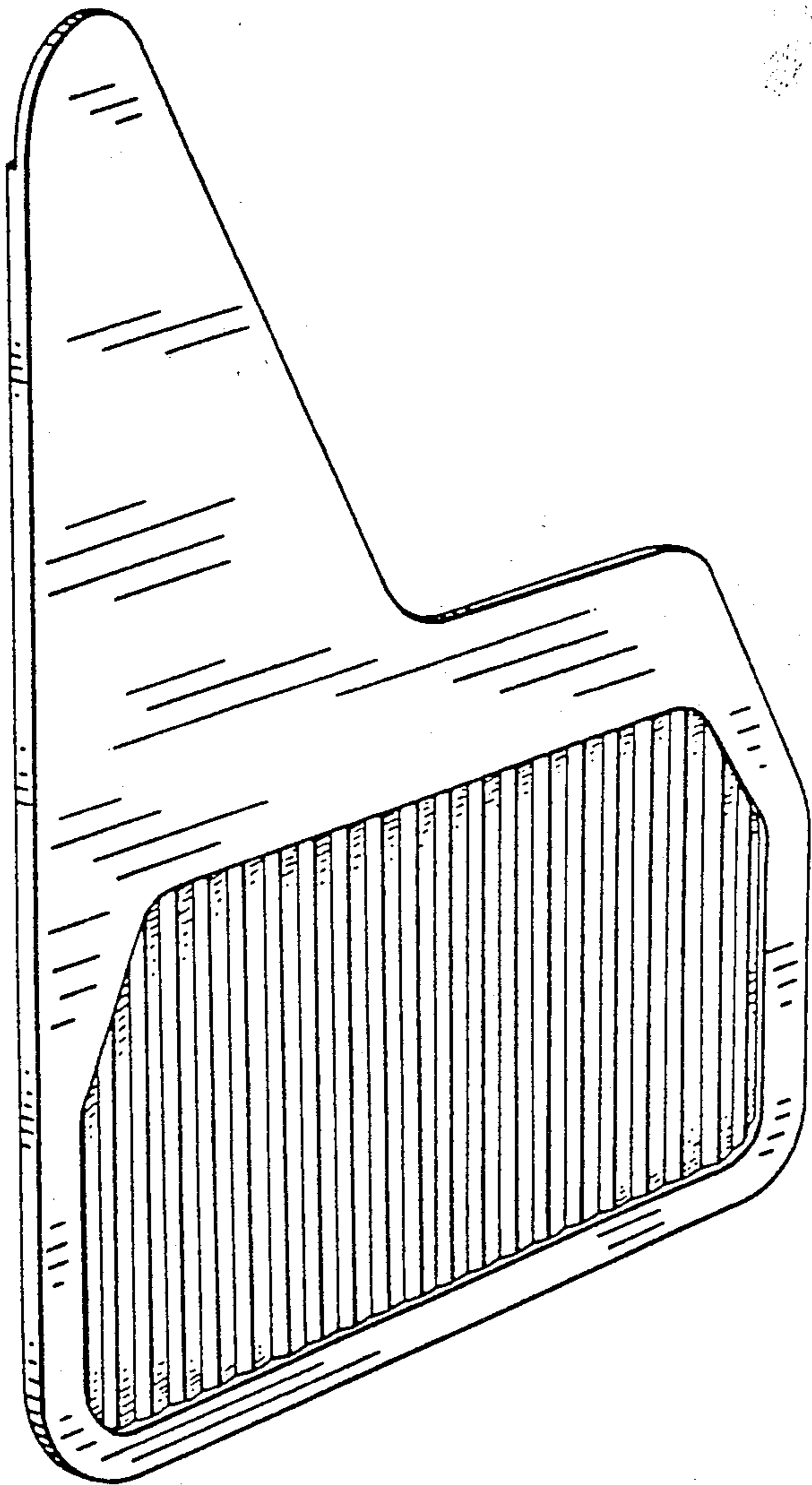


Fig. 7

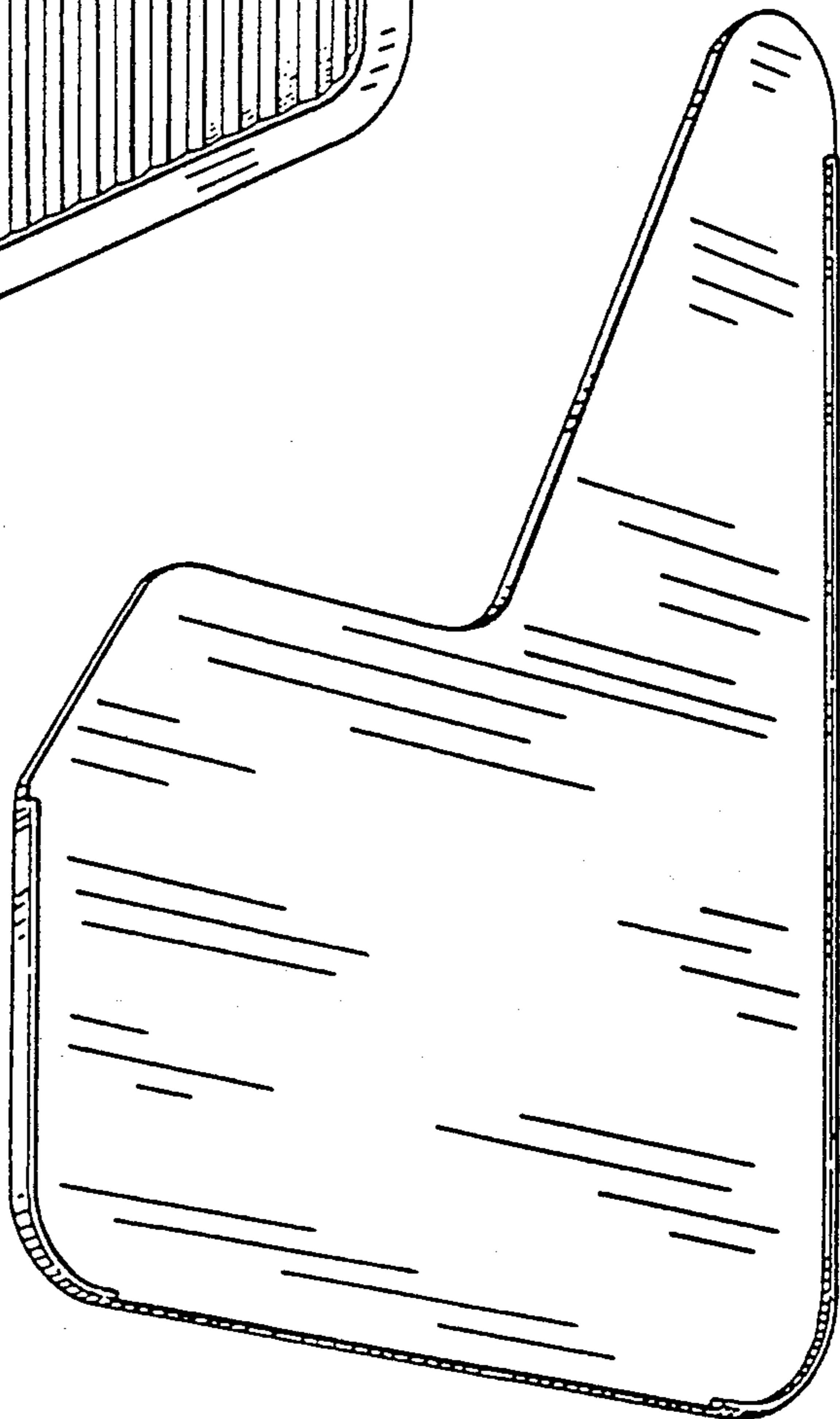


Fig. 8

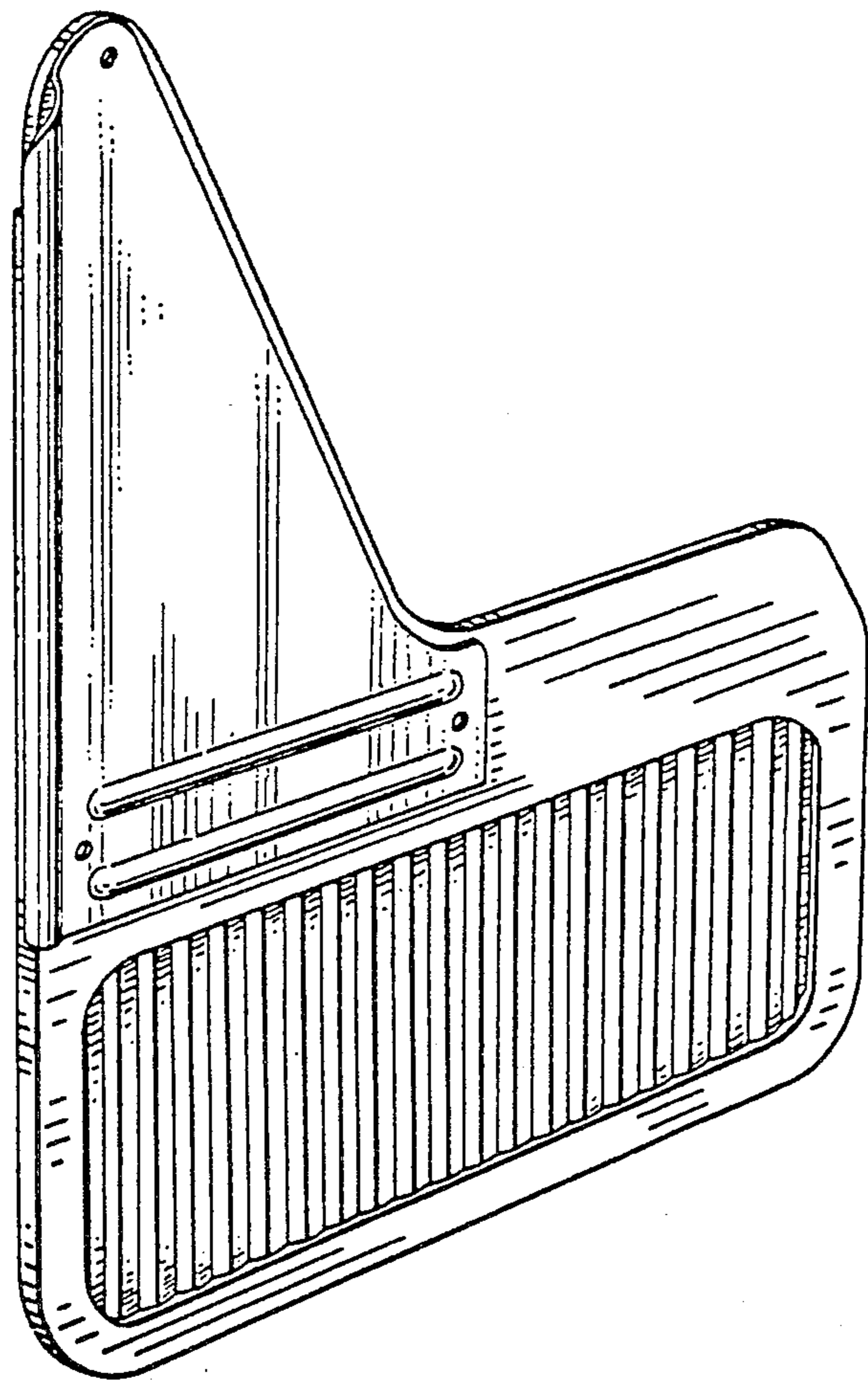


Fig. 9

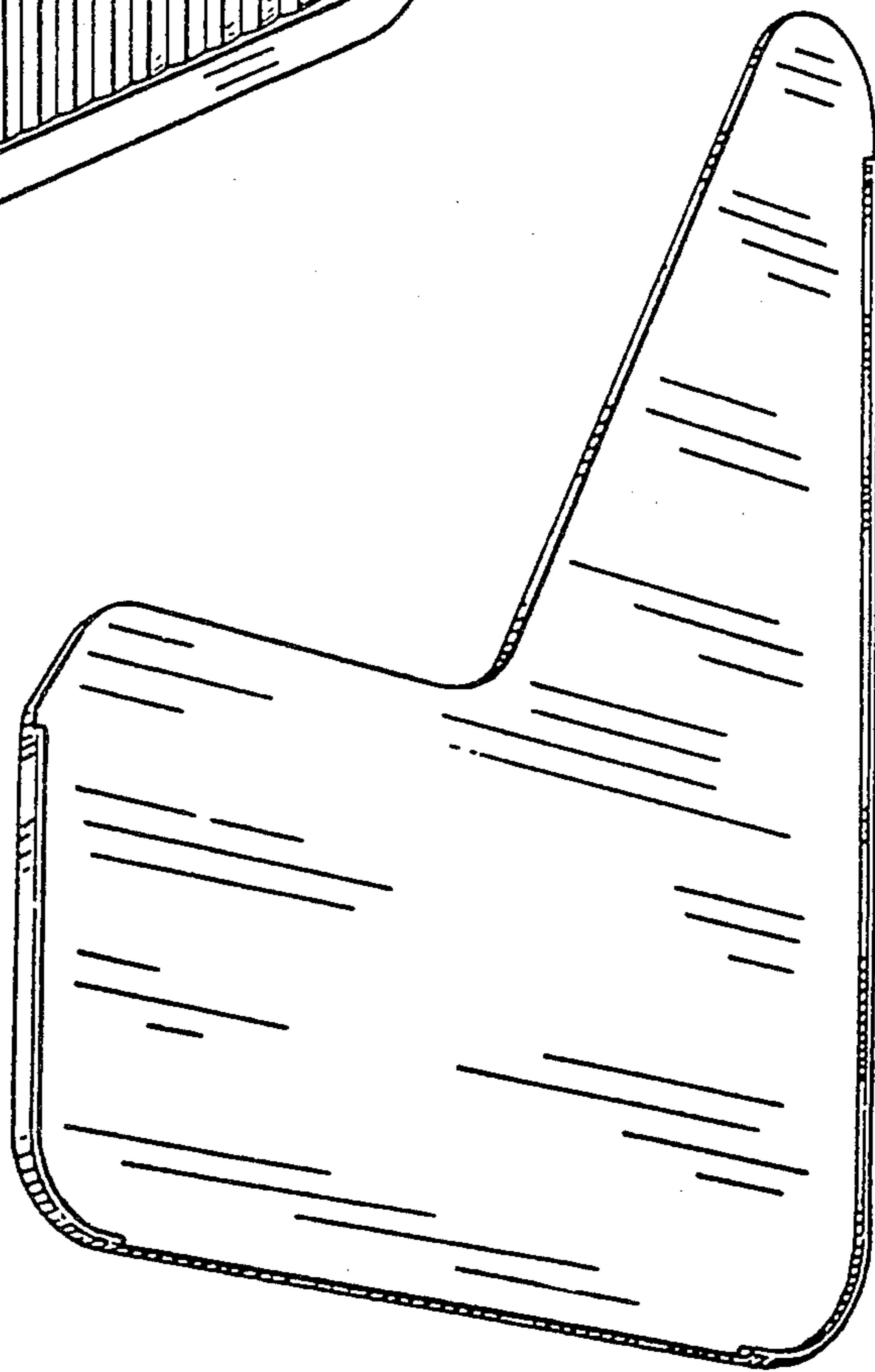


Fig. 10

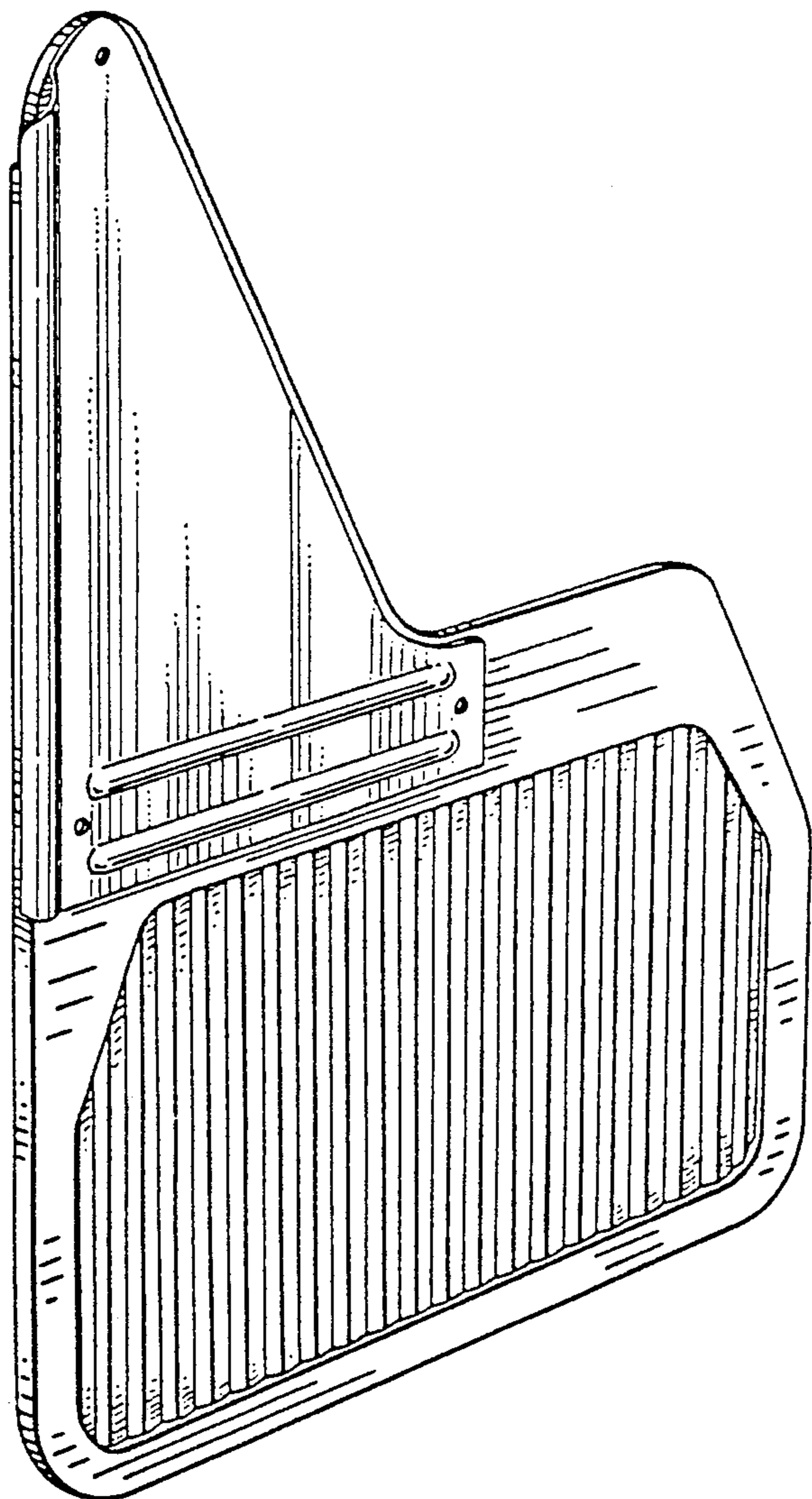


Fig. 11

Fig. 12

