

[54] **MOTORCYCLE FAIRING**

[76] **Inventor: Fred O. Hoese, 30706 Wildcat Dr.,  
Bulverde, Tex. 78163**

[\*\*] **Term: 14 Years**

[21] **Appl. No.: 387,355**

[22] **Filed: Jun. 11, 1982**

[52] **U.S. Cl. .... D12/182**

[58] **Field of Search ..... D12/182; 296/78.1**

[56] **References Cited**

**PUBLICATIONS**

- Cycle World, 5/80, p. 29, Vetter Fairing.
- Cycle World, 2/80, p. 84, Kawasaki Fairing.
- Cycle World, 5/81, p. 53, Honda Fairing.

*Primary Examiner—James M. Gandy  
Attorney, Agent, or Firm—John C. Stahl*

[57] **CLAIM**

The ornamental design for a motorcycle fairing, as shown and described.

**DESCRIPTION**

FIG. 1 is a side elevational view of a motorcycle fairing, showing my new design.

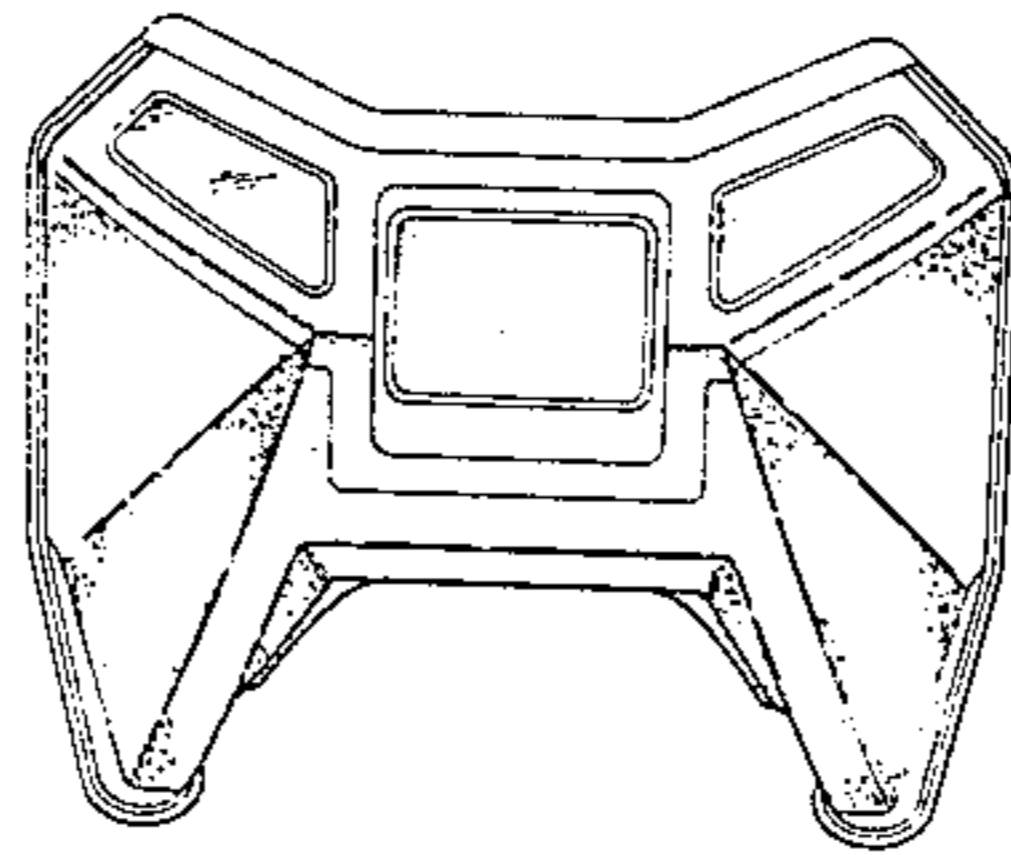
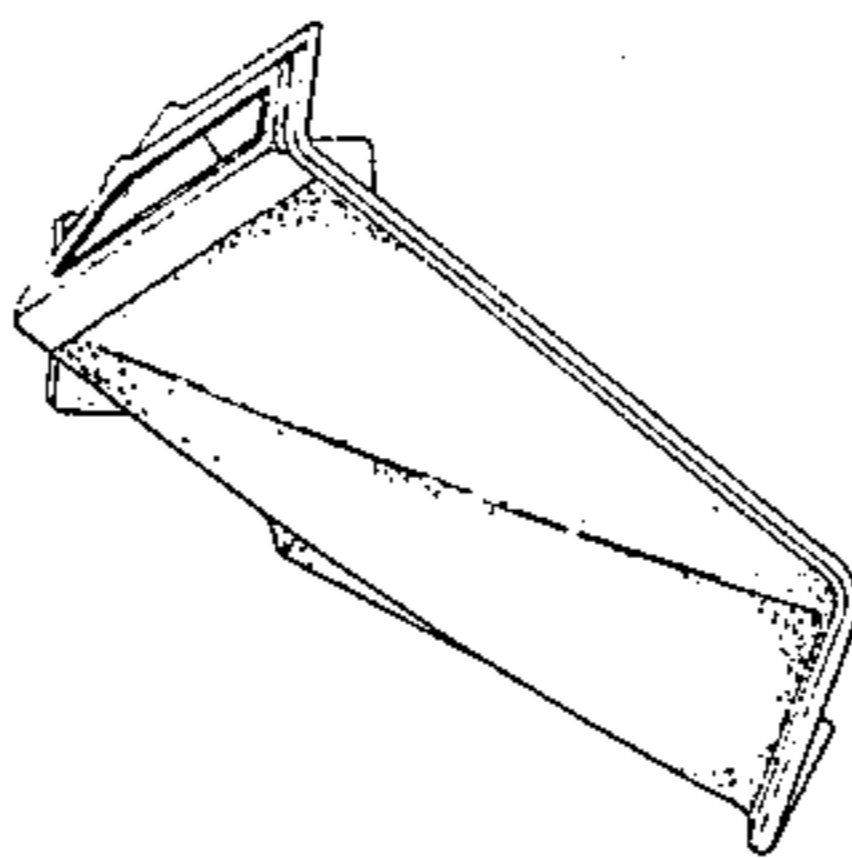
FIG. 2 is a front elevational view.

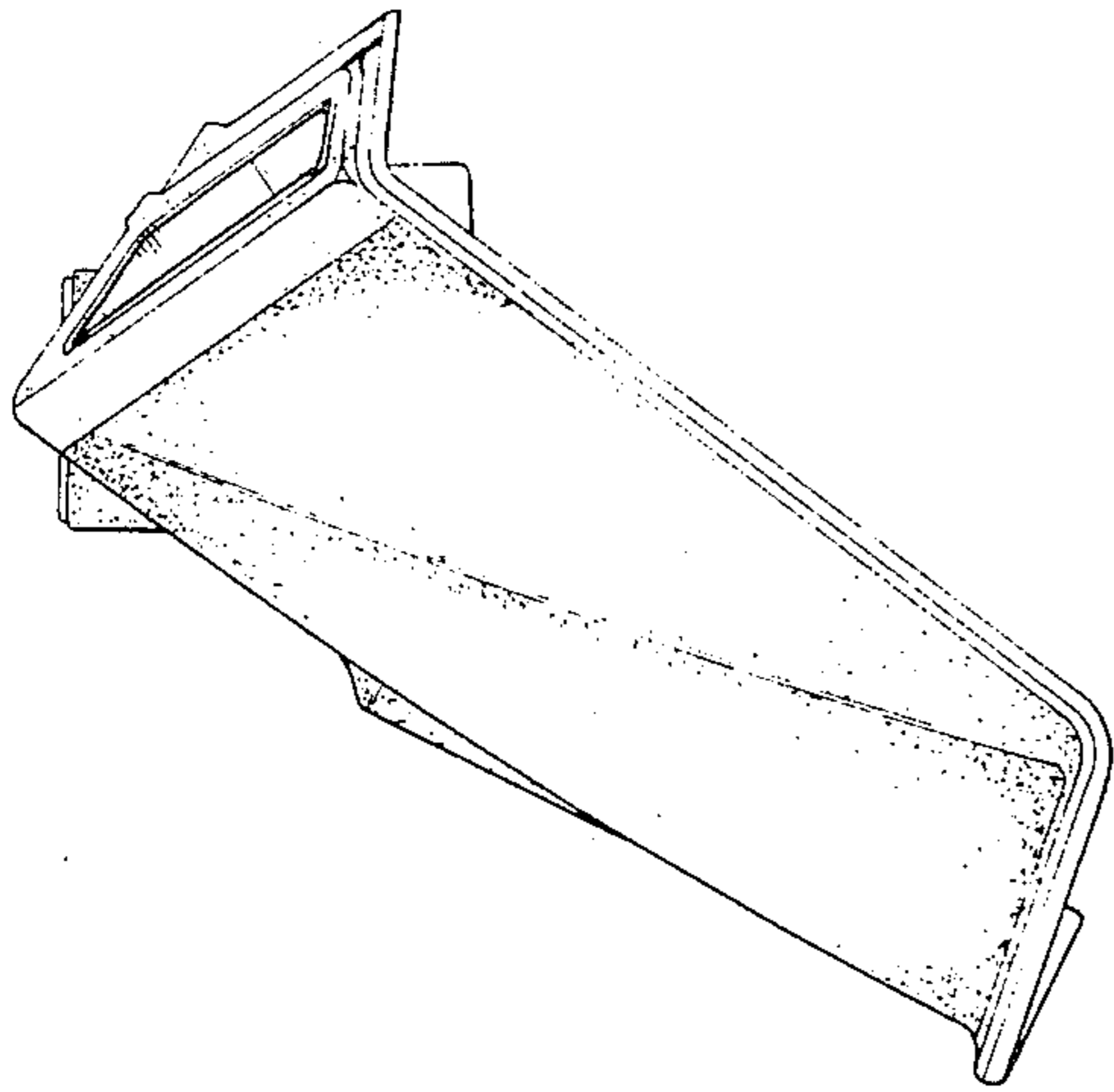
FIG. 3 is a top plan view.

FIG. 4 is a bottom plan view; and

FIG. 5 is a rear elevational view.

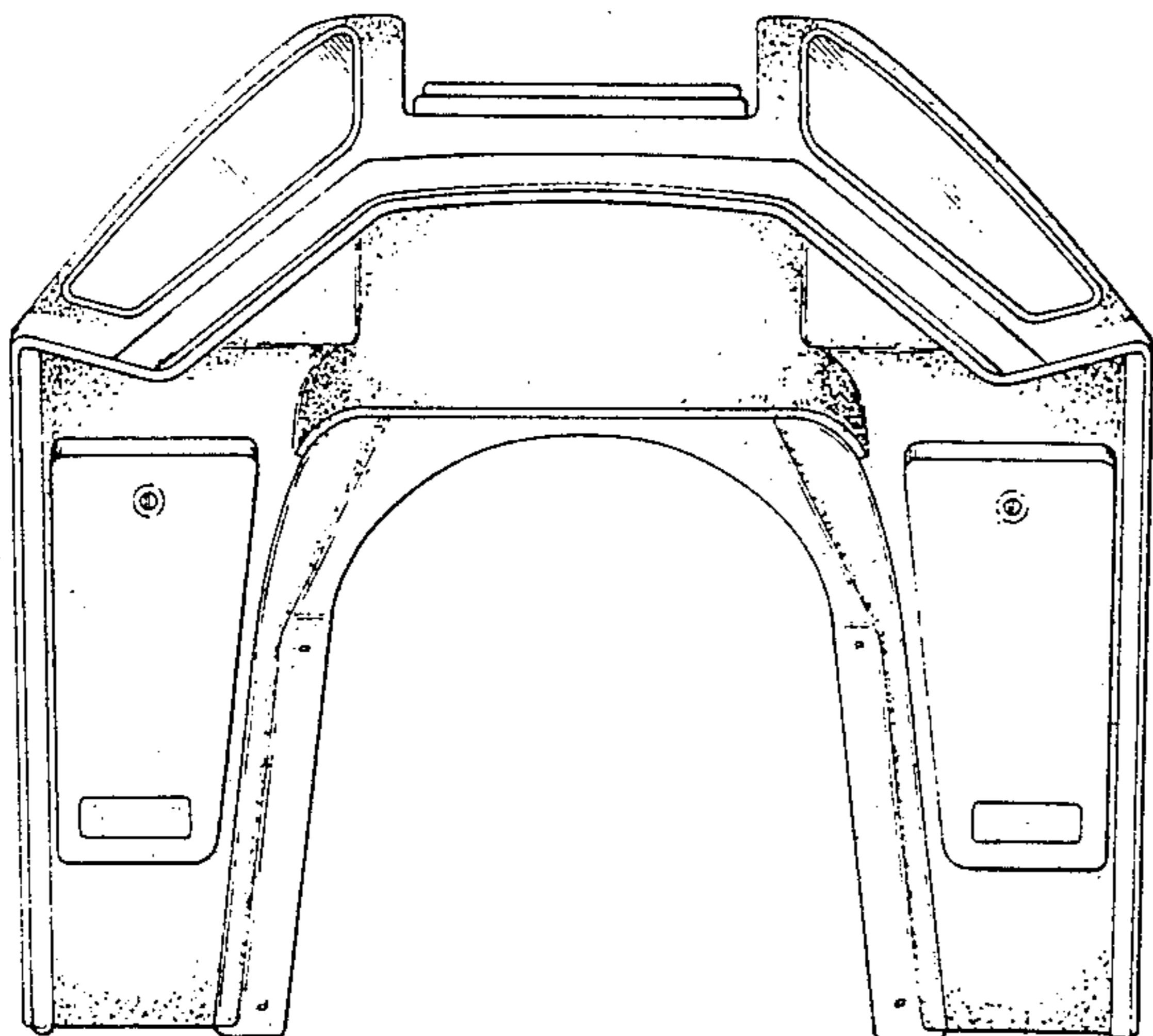
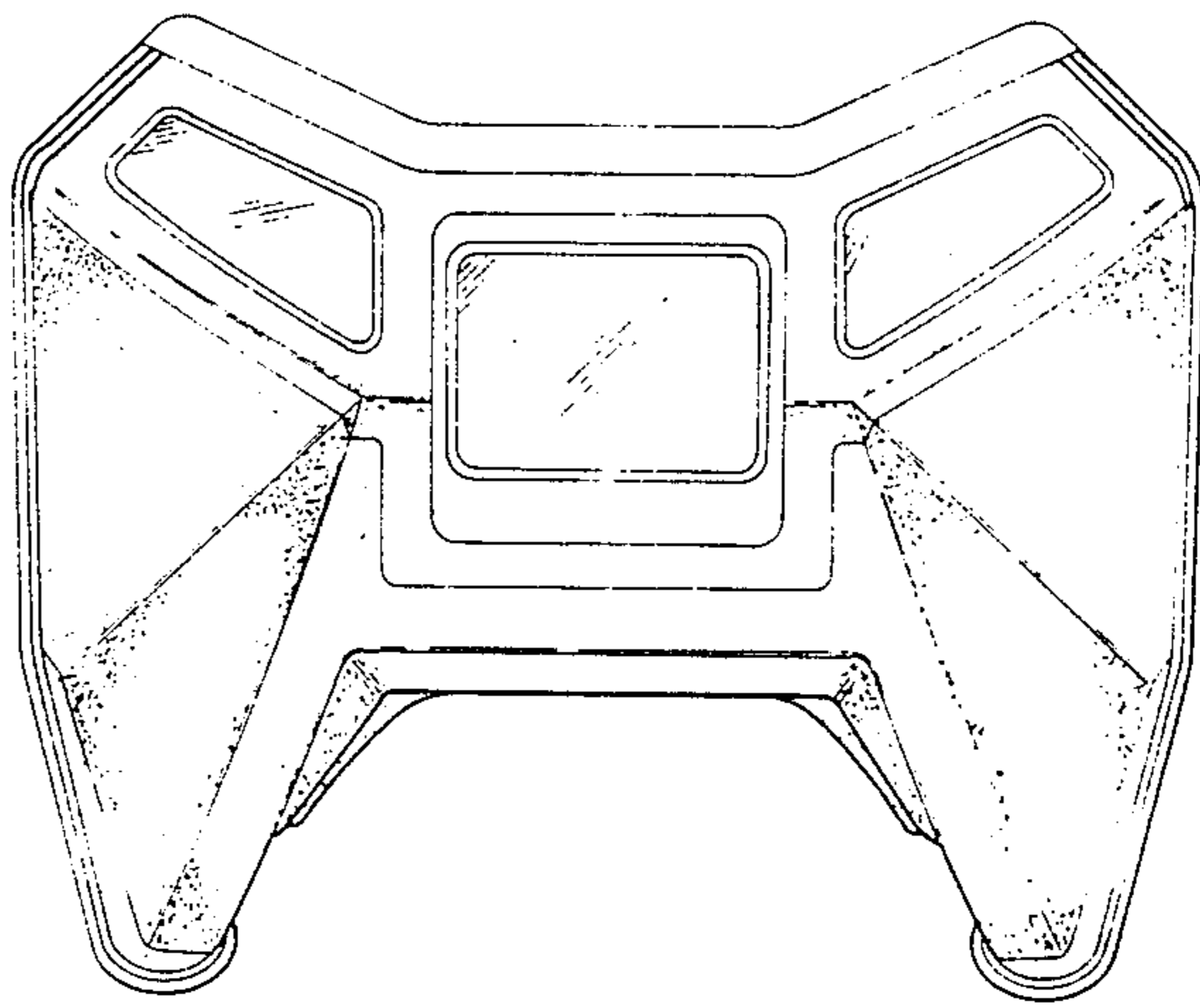
The side elevational view not shown is a mirror image of FIG. 1.



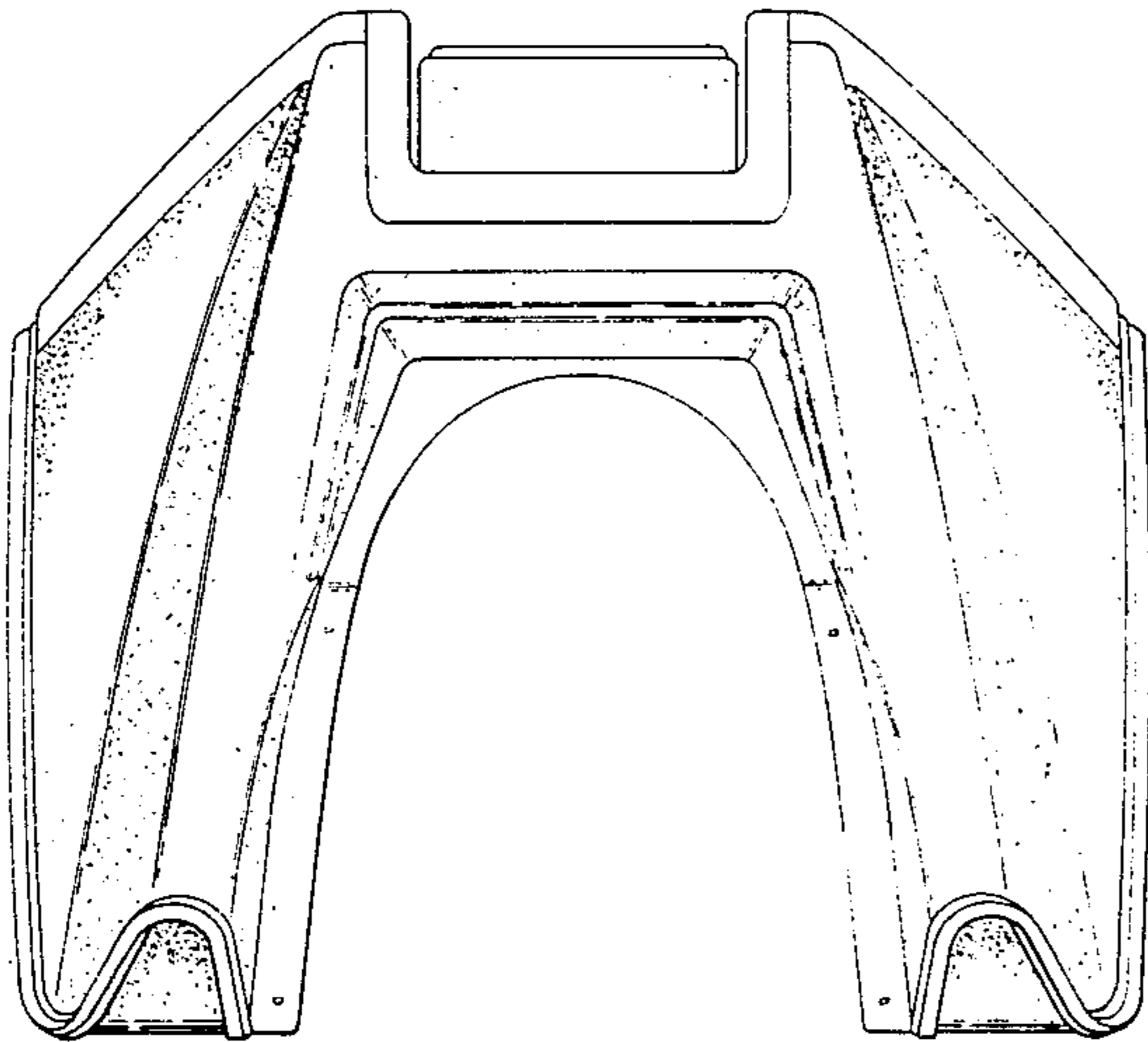


*FIG. 1*

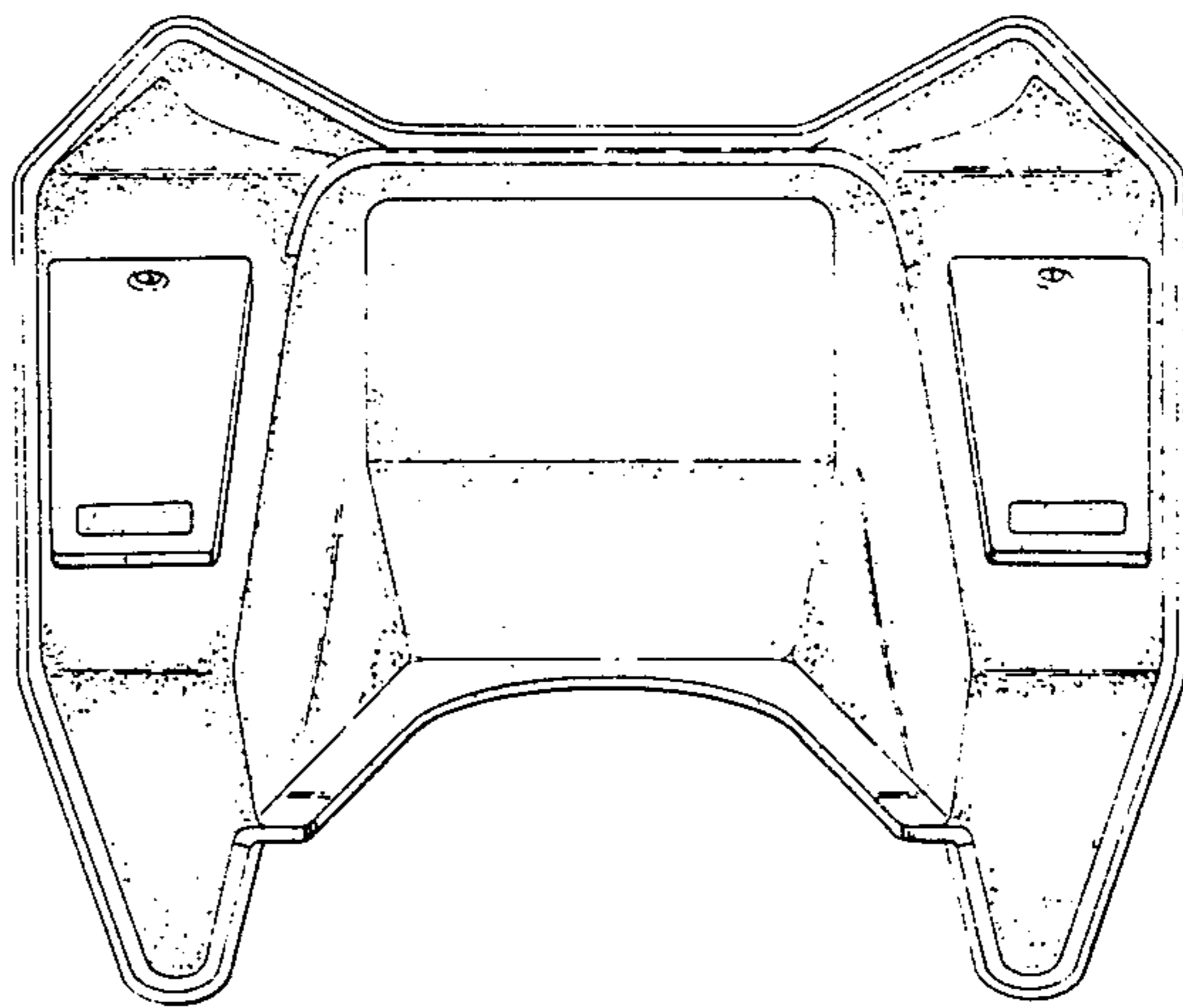
*FIG. 2*



*FIG. 3*



*FIG. 4*



*FIG. 5*