

[54] **HYDRAULIC SHOCK ABSORBER**

[75] **Inventors: Robert J. Heideman, Westland;
Richard G. Dressell, Jr., Livonia,
both of Mich.**

[73] **Assignee: Enertrols, Inc., Farmington Hills,
Mich.**

[**] **Term: 14 Years**

[21] **Appl. No.: 463,186**

[22] **Filed: Feb. 2, 1983**

[52] **U.S. Cl. D12/159**

[58] **Field of Search D12/159; 267/64.11,
267/64.26, 34**

[56] **References Cited**

U.S. PATENT DOCUMENTS

4,131,266 12/1978 Carter 267/34

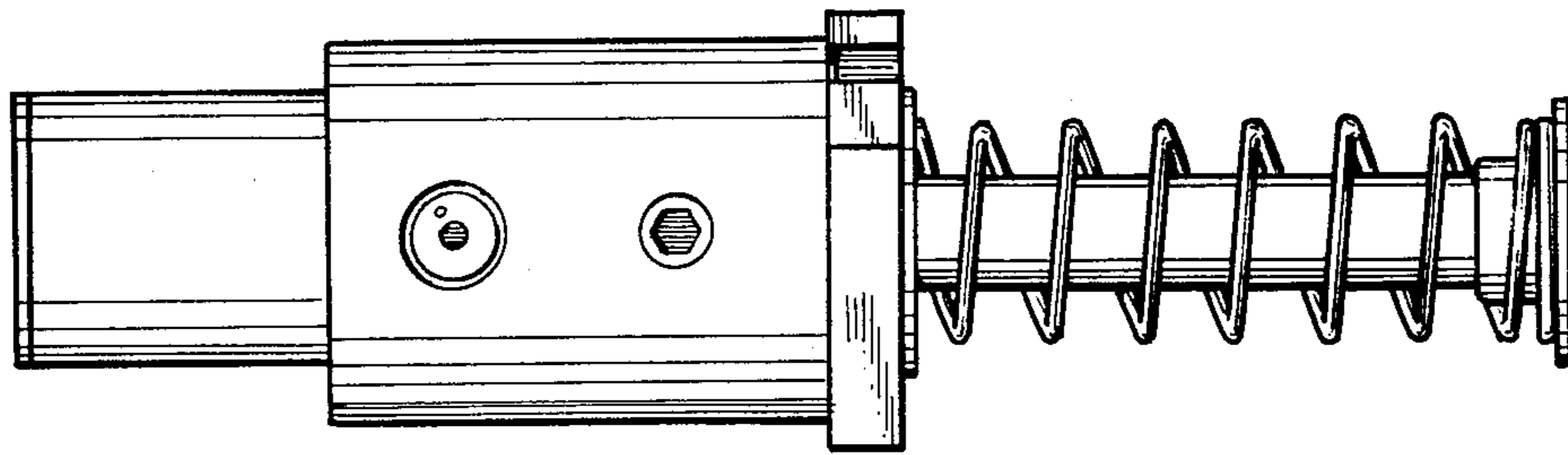
*Primary Examiner—James M. Gandy
Attorney, Agent, or Firm—Krass & Young*

[57] **CLAIM**

The ornamental design for a hydraulic shock absorber,
as shown.

DESCRIPTION

FIG. 1 is a top plan view of the hydraulic shock ab-
sorber embodying our inventive design;
FIG. 2 is a bottom plan view thereof;
FIG. 3 is a rear elevation view thereof;
FIG. 4 is a front elevation view thereof;
FIG. 5 is a right side elevation view thereof; and
FIG. 6 is a left side elevation view thereof.



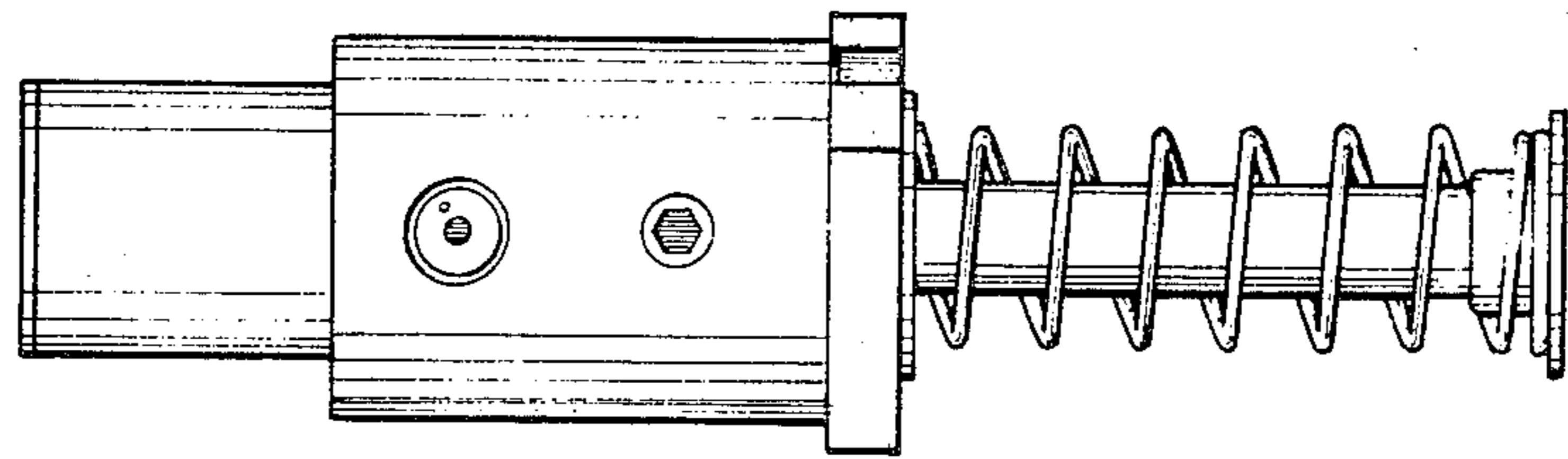


FIG-1

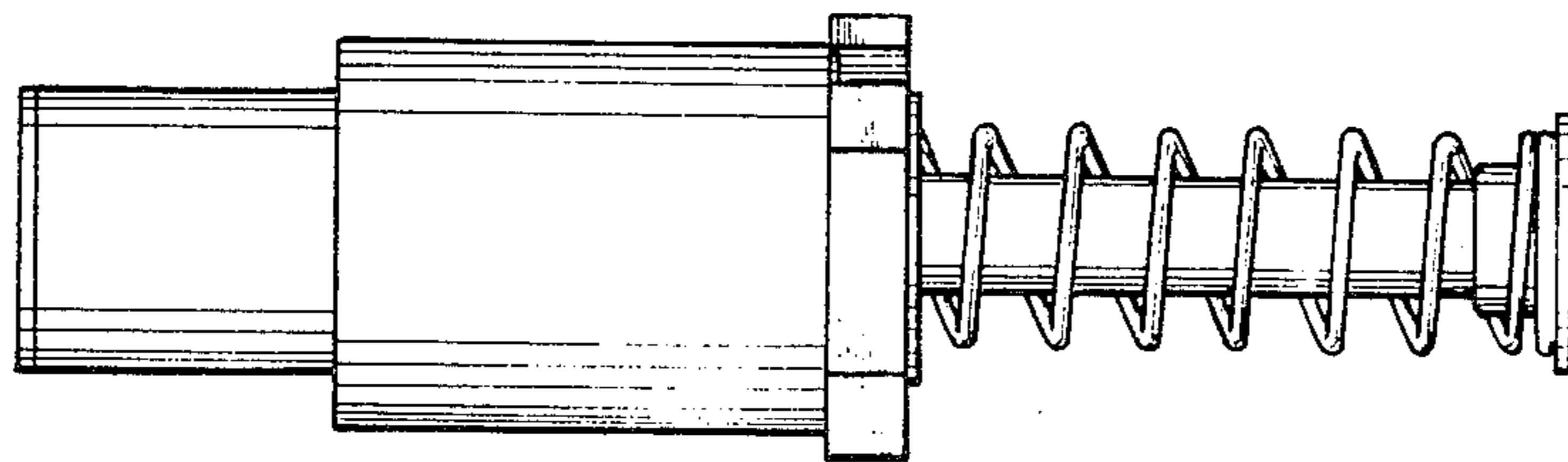


FIG-2

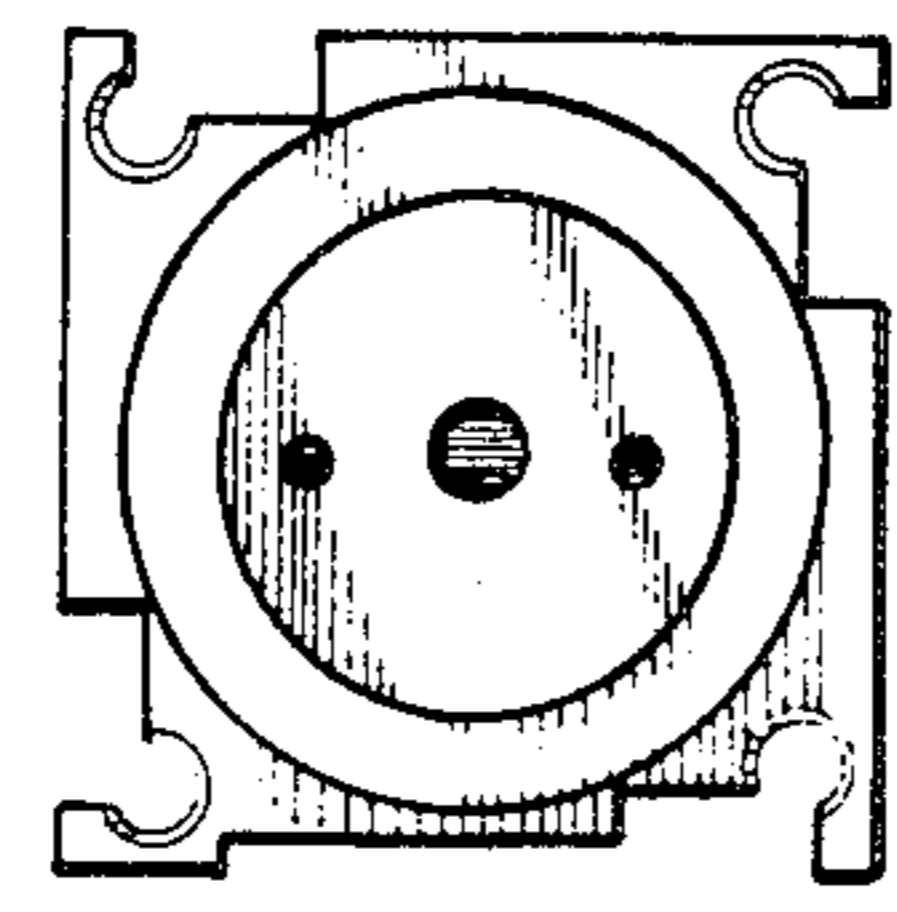


FIG-3

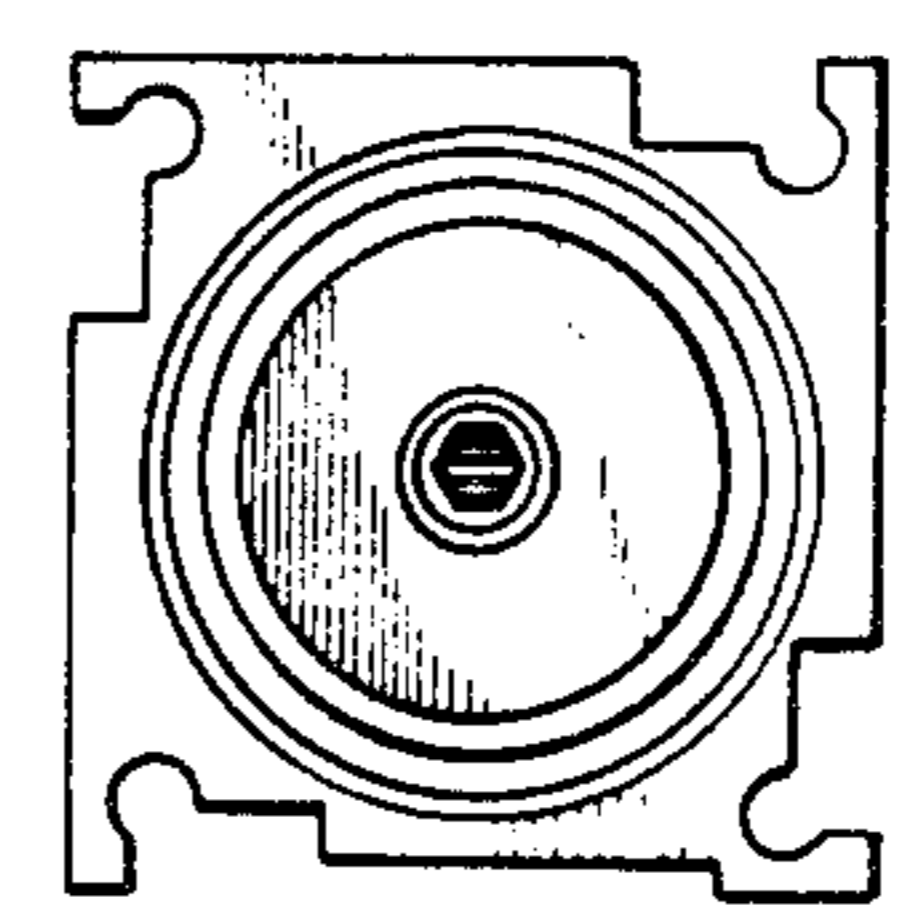


FIG-4

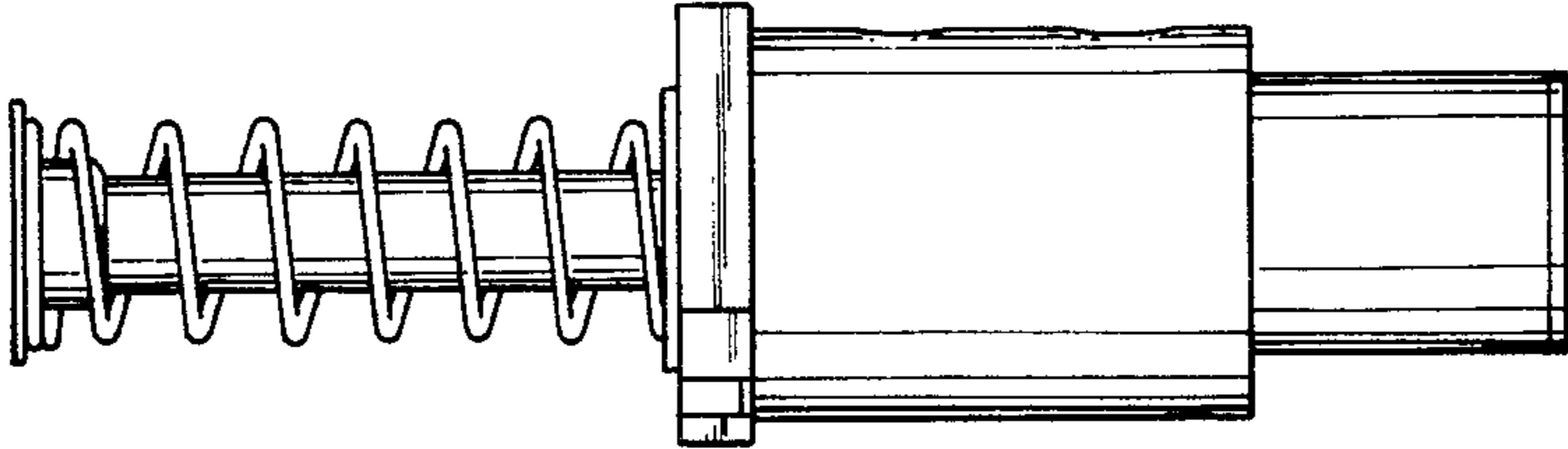


FIG-5

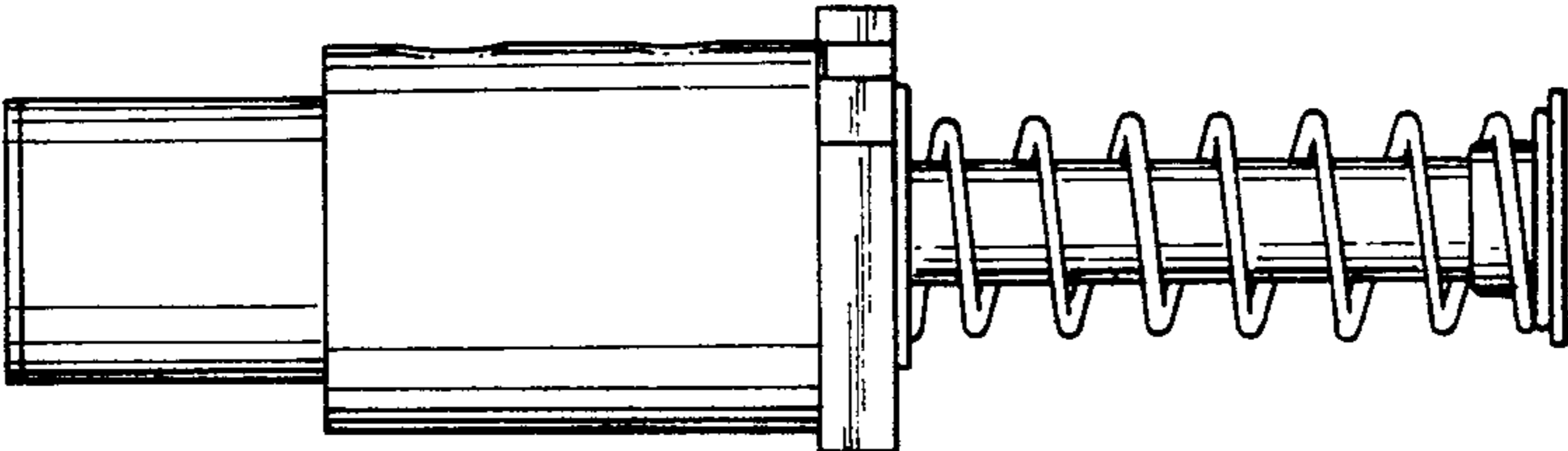


FIG-6