

[54] **FOLDING WHEELED WALKER**

[76] **Inventor: Shirley B. Webb, 814-B Parker Dr.,
Florence, S.C. 29501**

[**] **Term: 14 Years**

[21] **Appl. No.: 510,745**

[22] **Filed: Jul. 5, 1983**

[52] **U.S. Cl. D12/130**

[58] **Field of Search D12/130; 272/70.3;
280/87.04 R, 87.02 R, 87.02 W; 297/5**

[56] **References Cited**

U.S. PATENT DOCUMENTS

2,843,180 7/1958 Schwartz 272/70.3

FOREIGN PATENT DOCUMENTS

2512668 3/1983 France 297/5

Primary Examiner—James M. Gandy

Attorney, Agent, or Firm—Woodford R. Thompson, Jr.

[57] **CLAIM**

The ornamental design for a folding wheeled walker, as shown.

DESCRIPTION

FIG. 1 is a side elevational view of a folding wheeled walker showing my new design;

FIG. 2 is a side elevational view of the side opposite that shown in FIG. 1;

FIG. 3 is a front elevational view thereof;

FIG. 4 is a rear elevational view thereof;

FIG. 5 is a top plan view thereof; and,

FIG. 6 is a bottom view thereof.

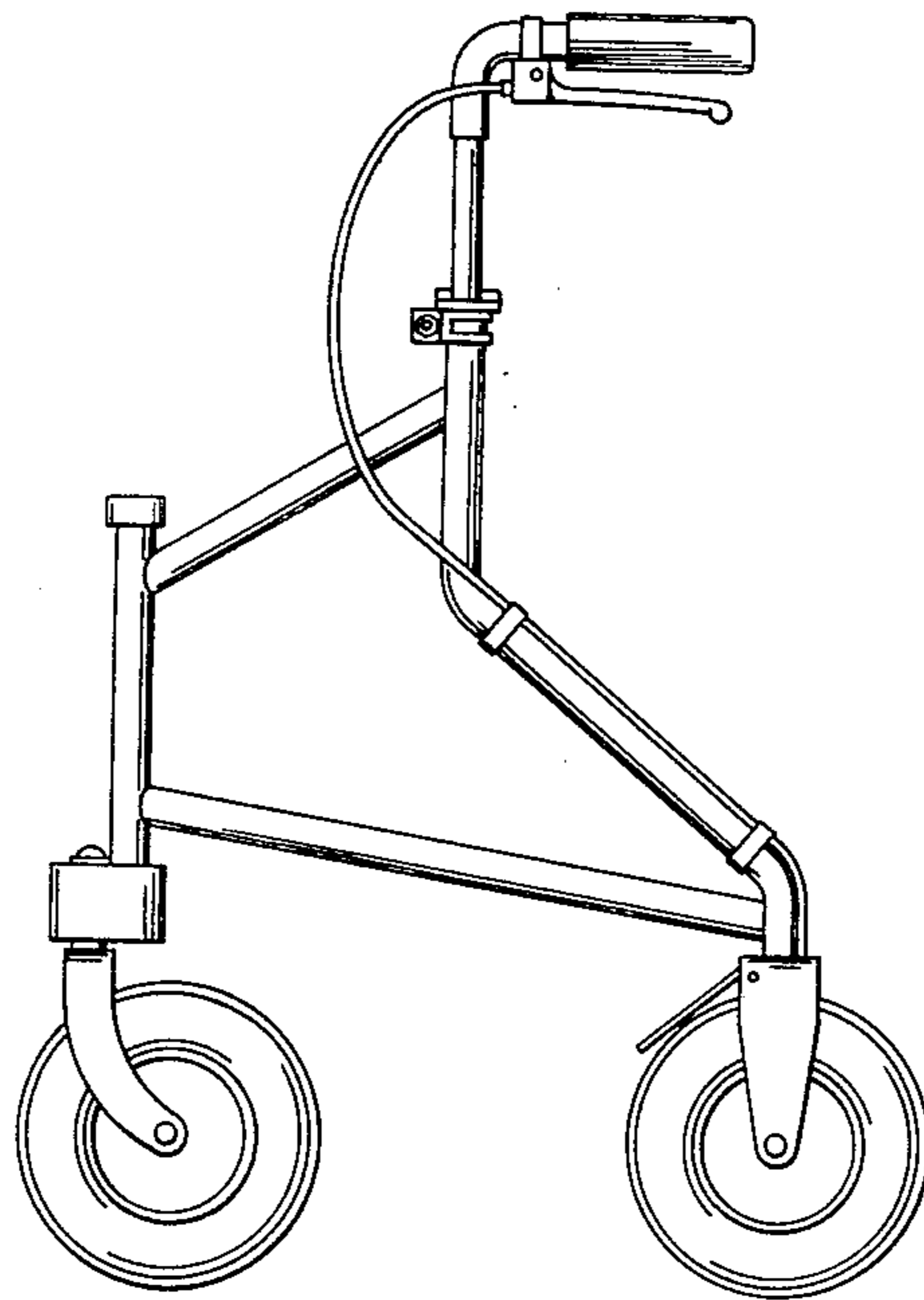


Fig. 1

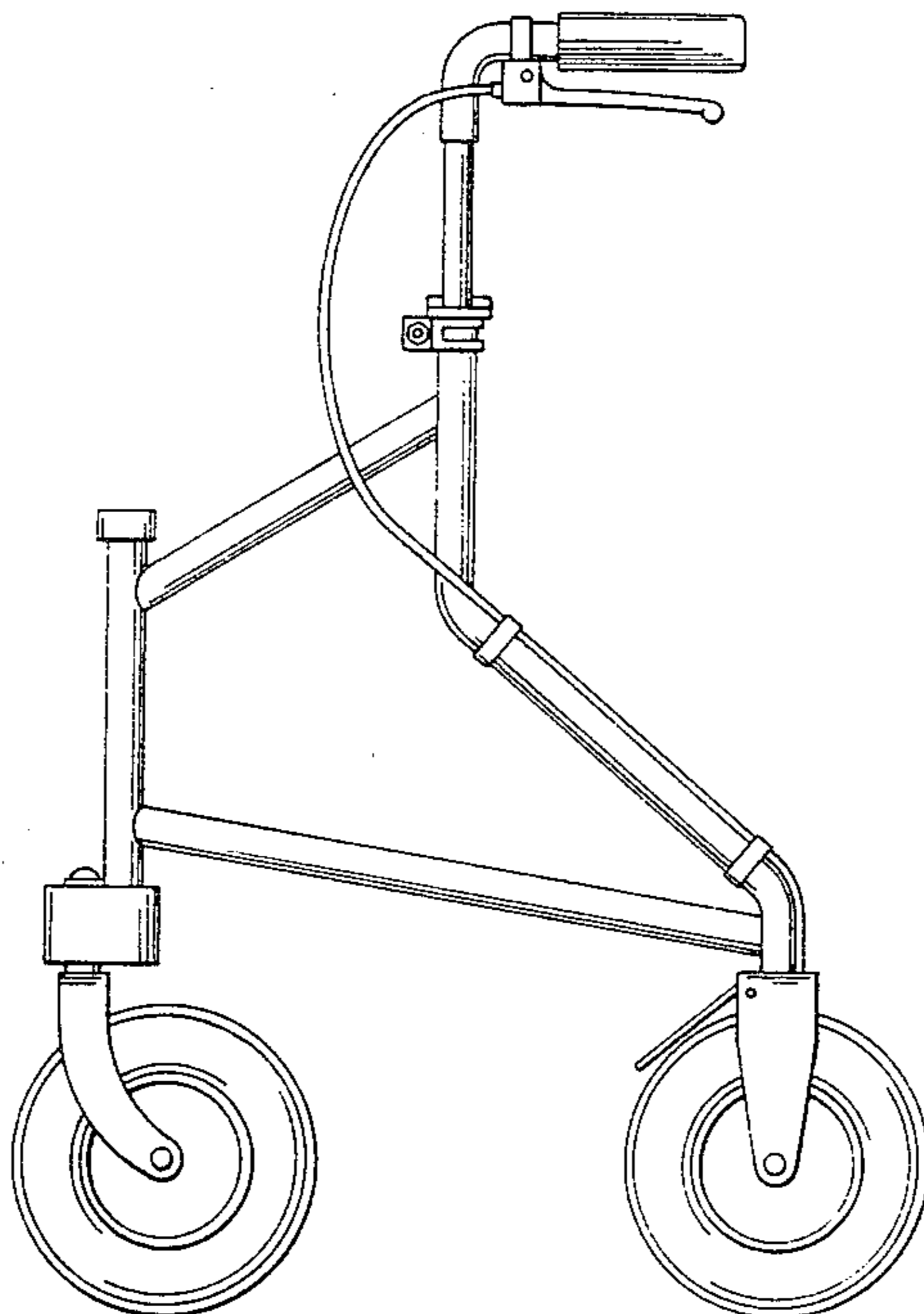


Fig. 2

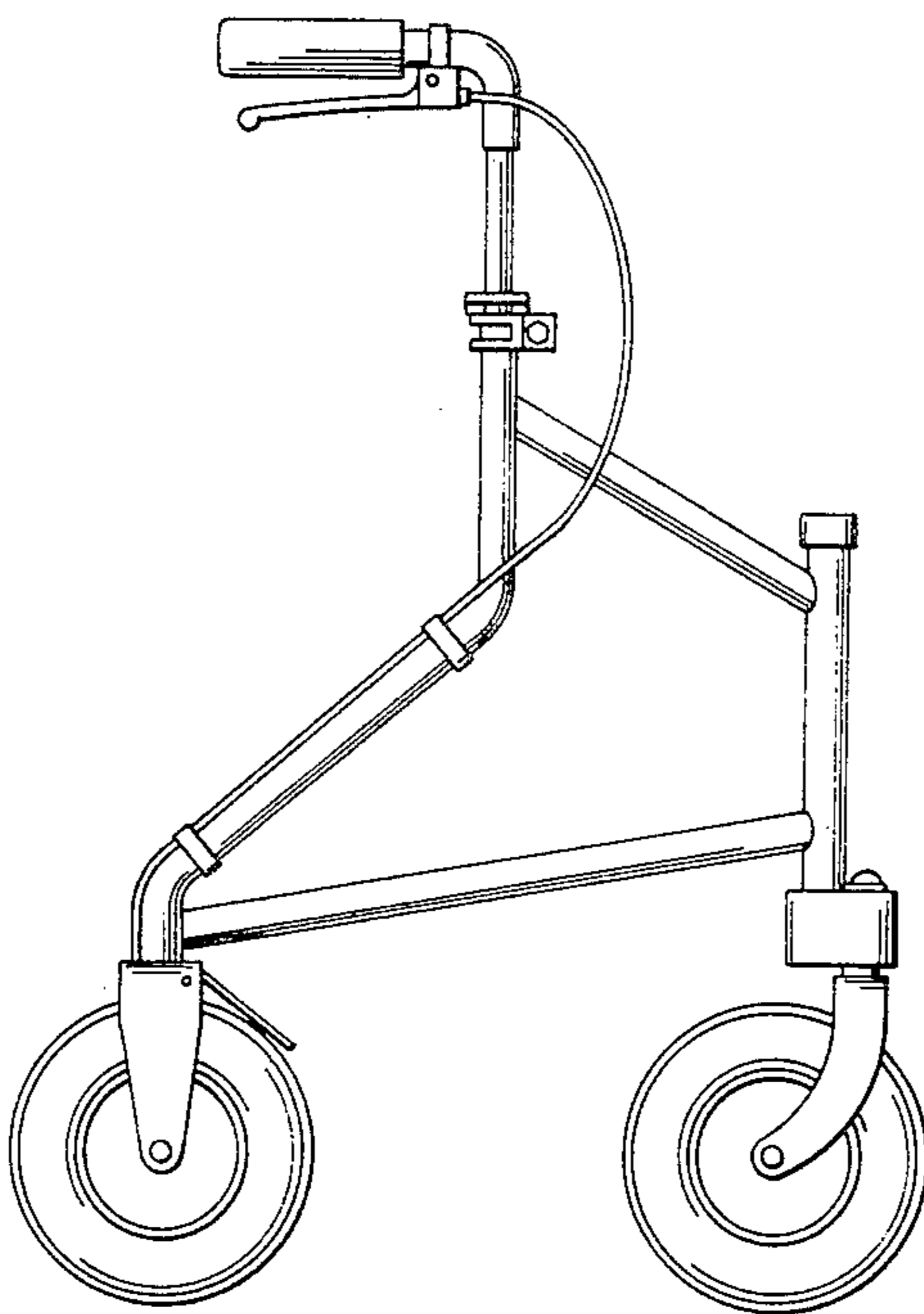


Fig. 3

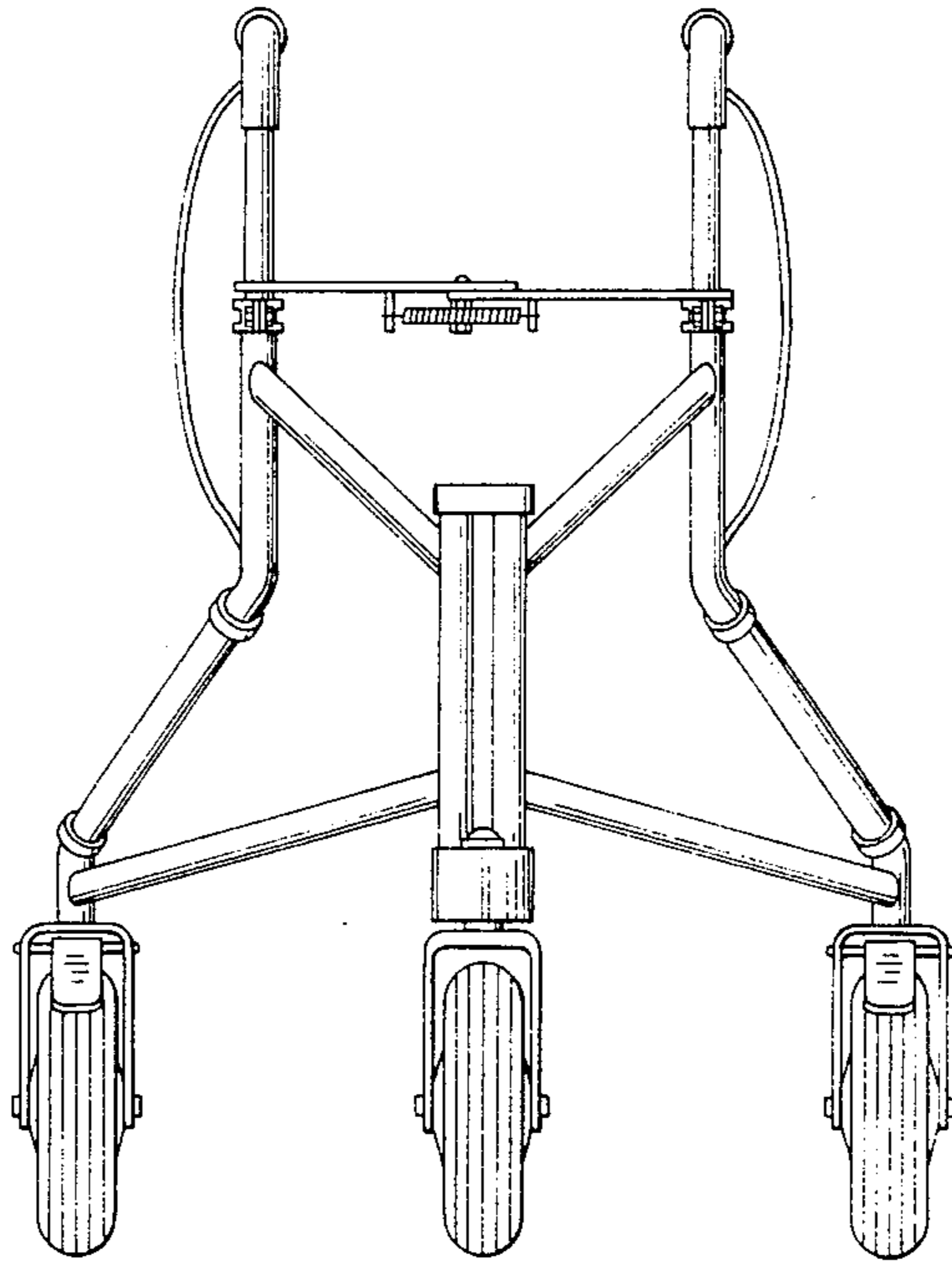


Fig. 4

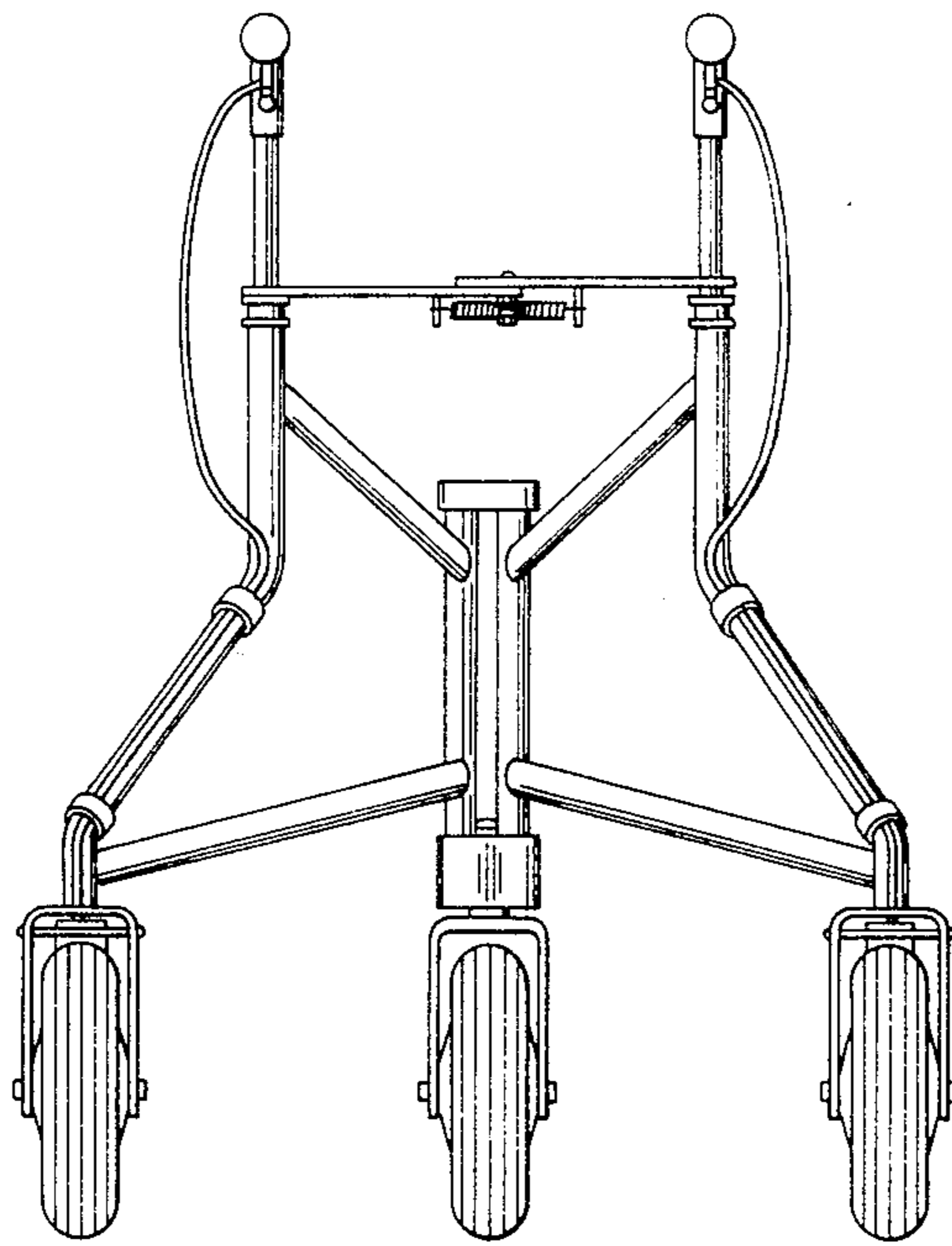


Fig. 5

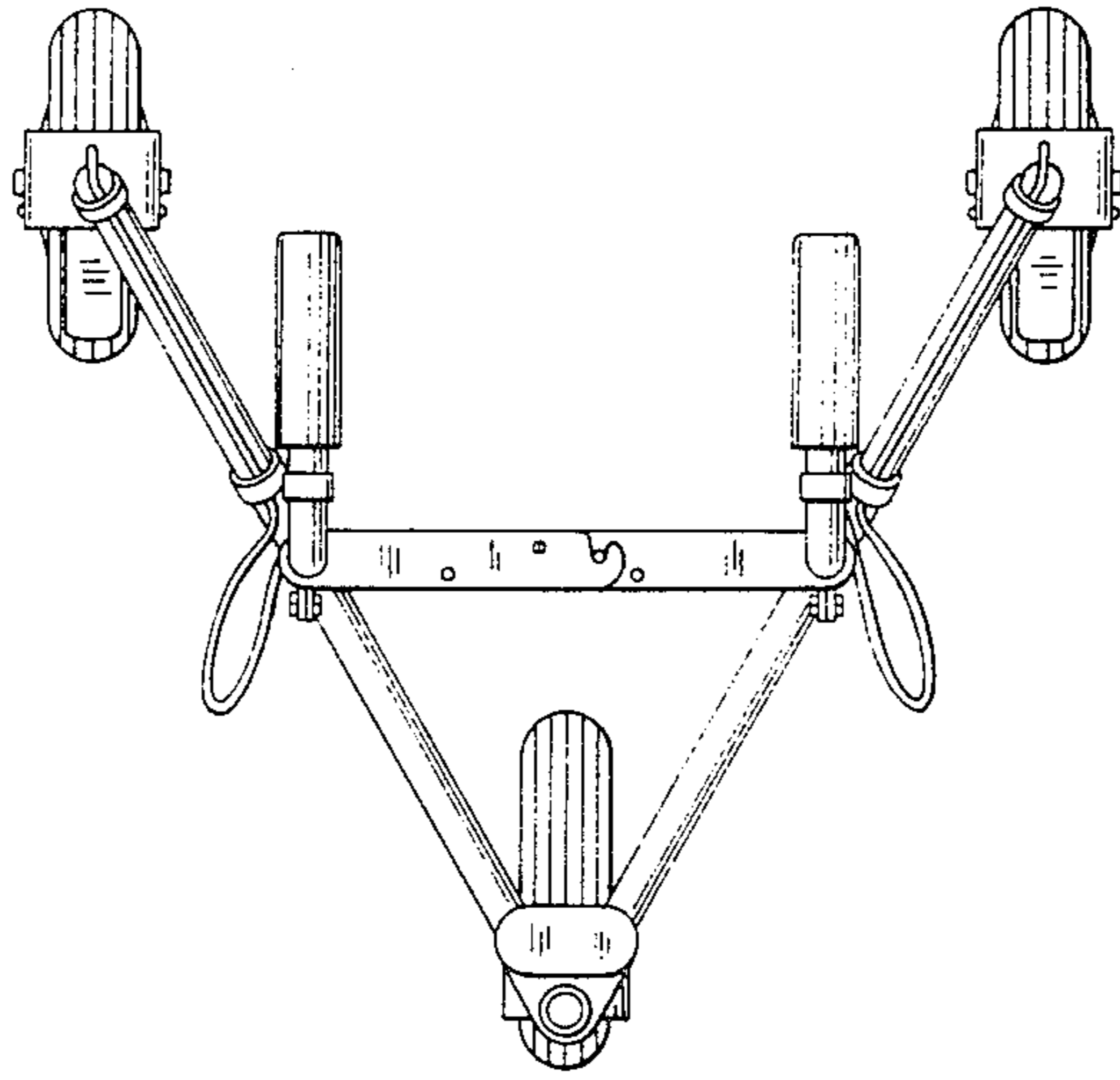


Fig. 6

