

[54] **REEL FOR KITES AND THE LIKE**

[76] **Inventor: Gary R. Smith, 429 Harrison St., Port Townsend, Wash. 98368**

[**] **Term: 14 Years**

[21] **Appl. No.: 516,174**

[22] **Filed: Jul. 21, 1983**

[52] **U.S. Cl. D8/359**

[58] **Field of Search D8/349, 354, 358, 359; 242/77, 86.5 A, 96**

[56] **References Cited**

U.S. PATENT DOCUMENTS

D. 196,128	8/1963	Wilson	D8/359
D. 224,615	8/1972	Kloefkorn	D8/359
2,393,613	1/1946	Combs	242/96
2,483,696	10/1949	Giera	242/96

3,104,076	9/1963	Wilson	242/96
3,494,570	2/1970	Jones, Jr.	242/86.5 A
3,731,887	5/1973	Wheeler	242/96

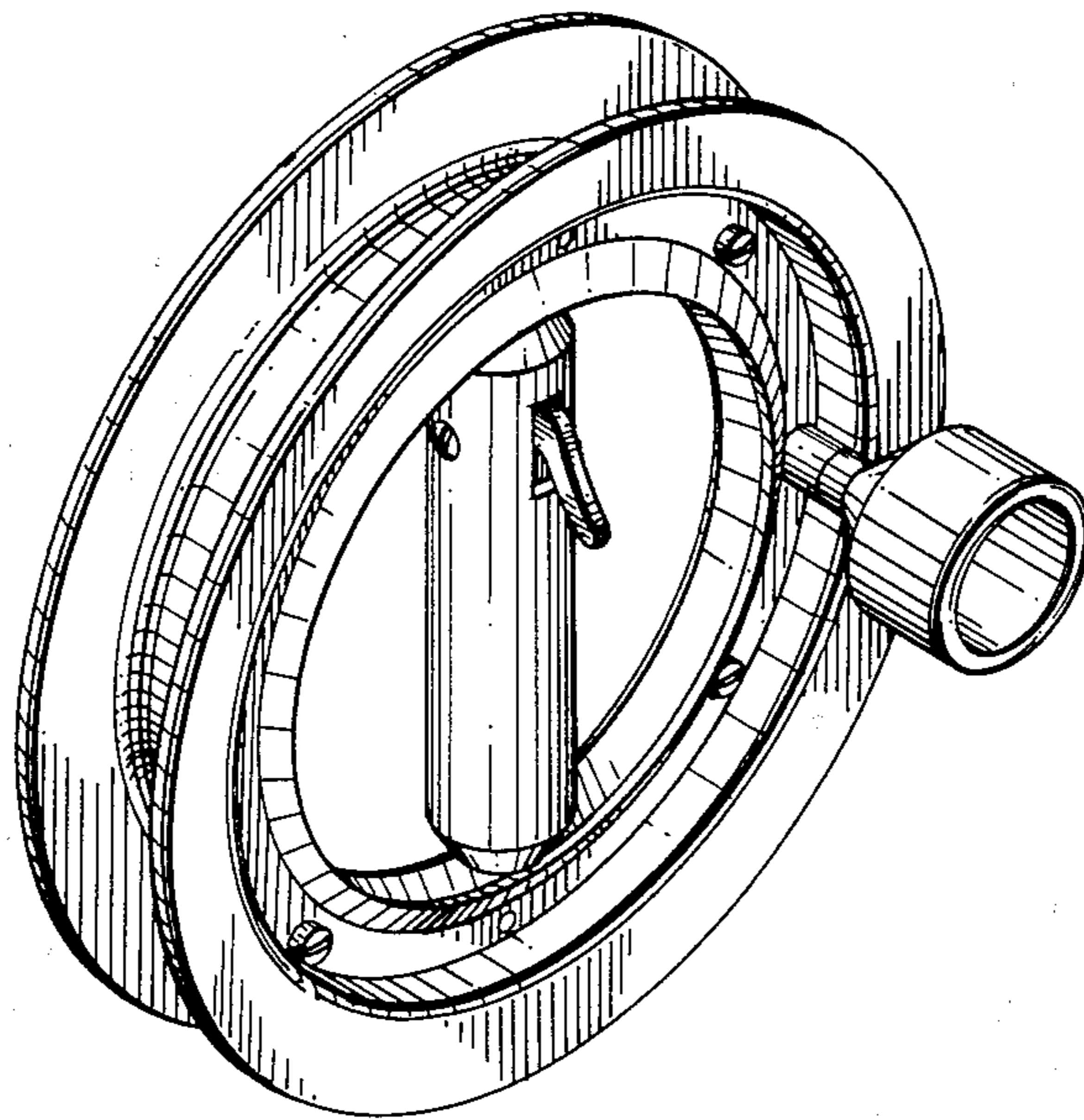
Primary Examiner—B. J. Bullock
Attorney, Agent, or Firm—Ward Brown; Robert W. Beach

[57] **CLAIM**

The ornamental design for a reel for kites and the like, substantially as shown and described.

DESCRIPTION

FIG. 1 is a top perspective view of a reel for kites and the like showing my new design;
FIG. 2 is a rear elevational view thereof;
FIG. 3 is a side elevational view thereof taken from the left of FIG. 1; and
FIG. 4 is a front elevational view thereof.



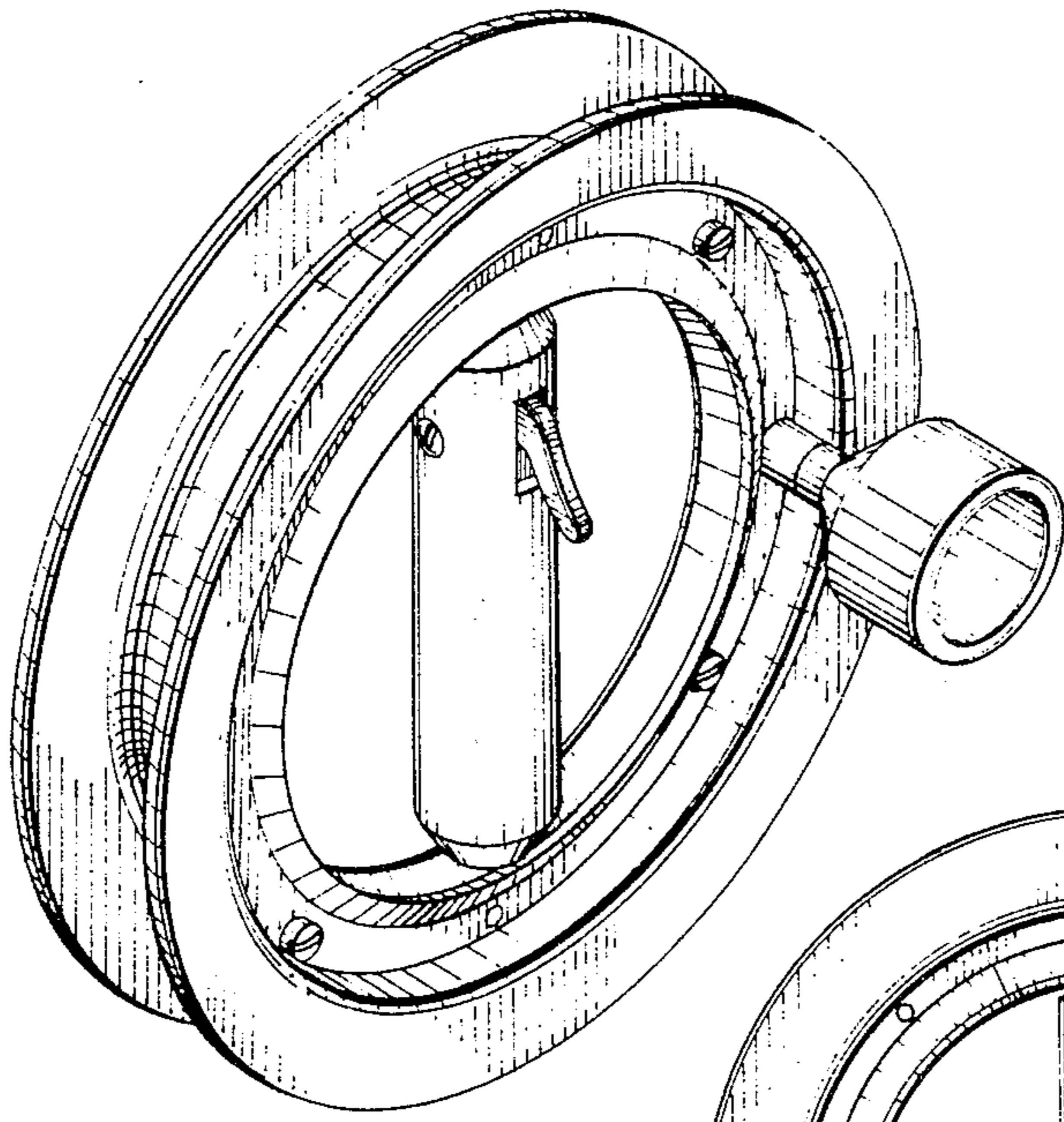


Fig. 1.

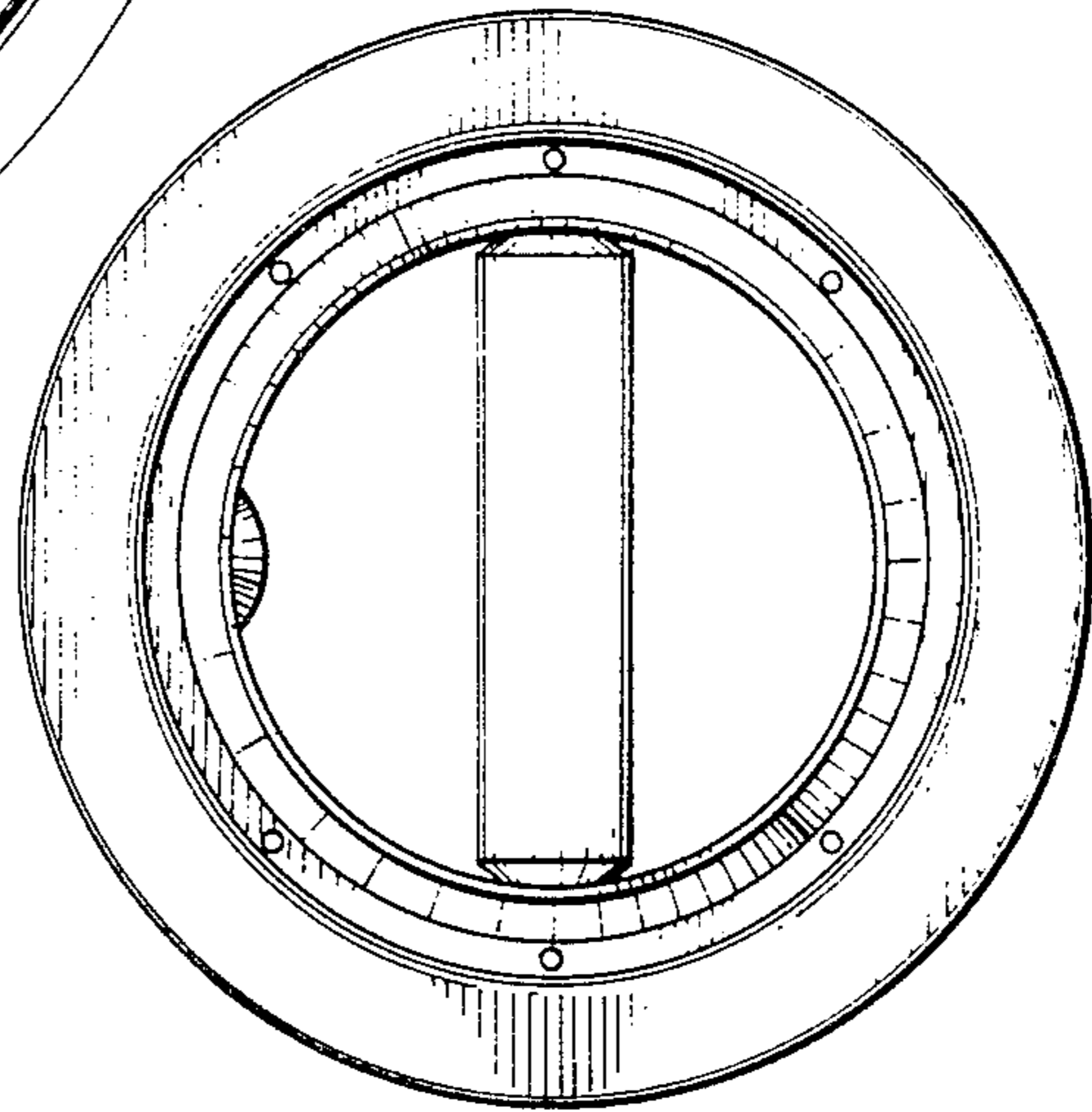


Fig. 2.

Fig. 3.

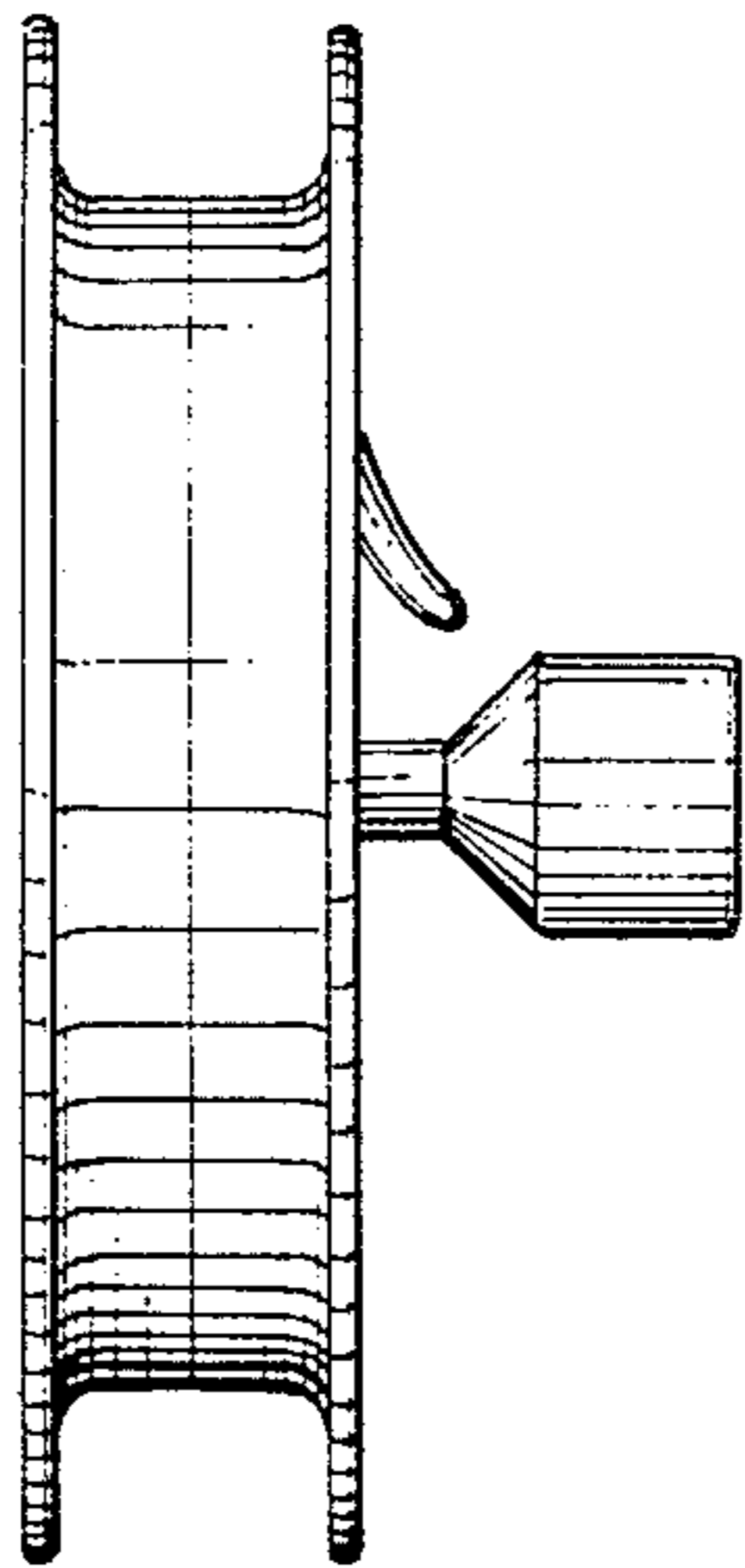


Fig. 4.

