

[54] DOOR CLOSER

3,787,924	1/1973	Jentsch	16/49
3,877,108	4/1975	Del Fiacco	16/49
4,086,681	5/1978	Nakanishi	16/49

[75] Inventor: Mitsuaki Okazaki, Fuchu, Japan

[73] Assignee: Ryobi Limited, Hiroshima, Japan

[**] Term: 14 Years

[21] Appl. No.: 535,942

[22] Filed: Sep. 26, 1983

[30] Foreign Application Priority Data

Apr. 22, 1983 [JP] Japan 58-17358

[52] U.S. Cl. D8/330

[58] Field of Search D8/330; 16/49, 51, 66, 16/71

[56] References Cited

U.S. PATENT DOCUMENTS

D. 271,277	11/1983	Okazaki	D8/330
2,994,906	8/1961	Check et al.	16/51
3,188,682	6/1965	Check et al.	16/49

Primary Examiner—B. J. Bullock
Assistant Examiner—Suzanne N. Gitlin
Attorney, Agent, or Firm—Frishauf, Holtz, Goodman & Woodward

[57] CLAIM

The ornamental design for a door closer, as shown and described.

DESCRIPTION

FIG. 1 is a front elevational view of a door closer showing my new design;
FIG. 2 is a rear elevational view thereof;
FIG. 3 is a right side elevational view thereof;
FIG. 4 is a left side elevational view thereof;
FIG. 5 is a top plan view thereof;
FIG. 6 is a bottom plan view thereof;
FIG. 7 is a front left side perspective view thereof; and
FIG. 8 is a rear left side perspective view thereof.

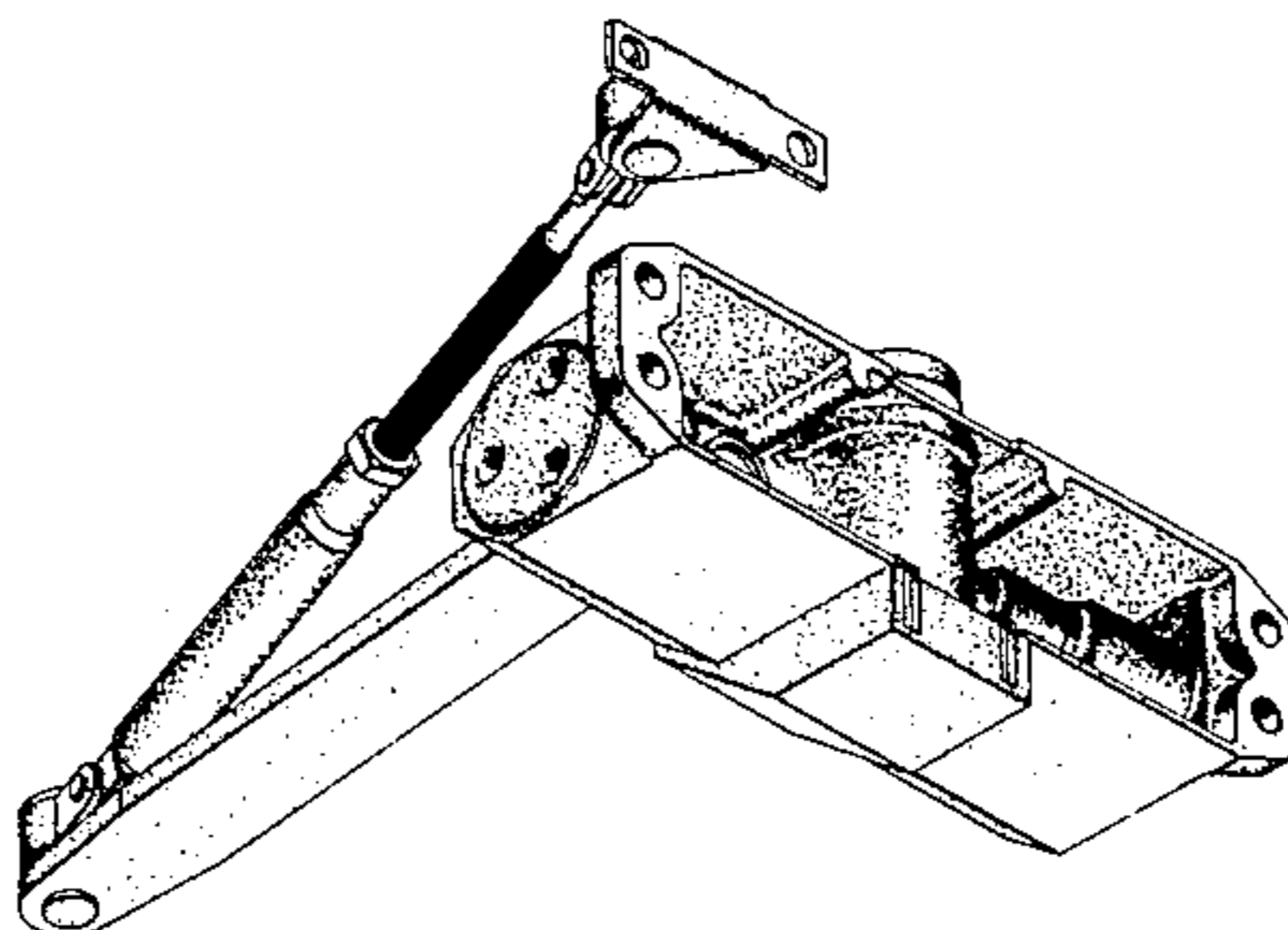
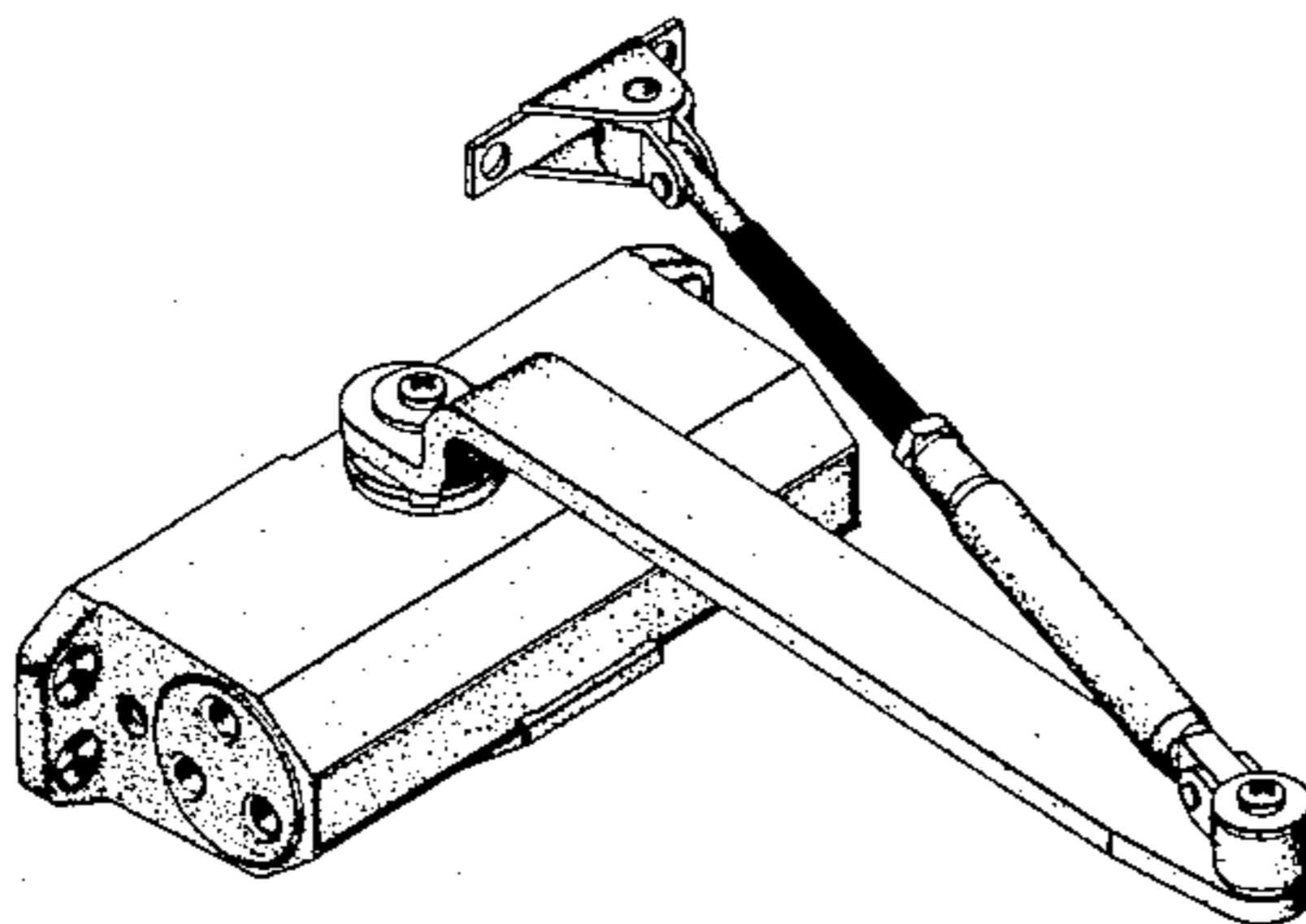


FIG. 1

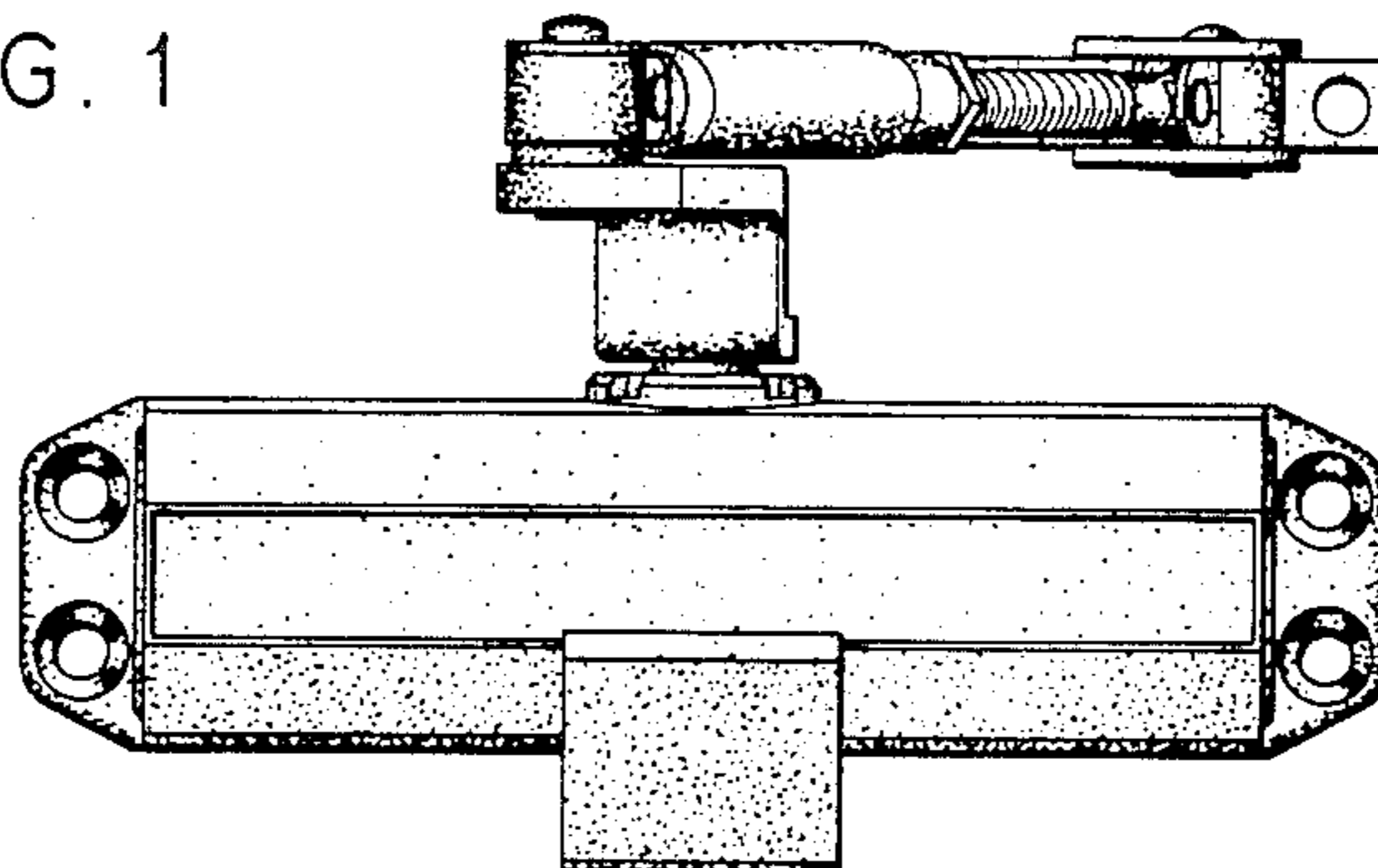


FIG. 2

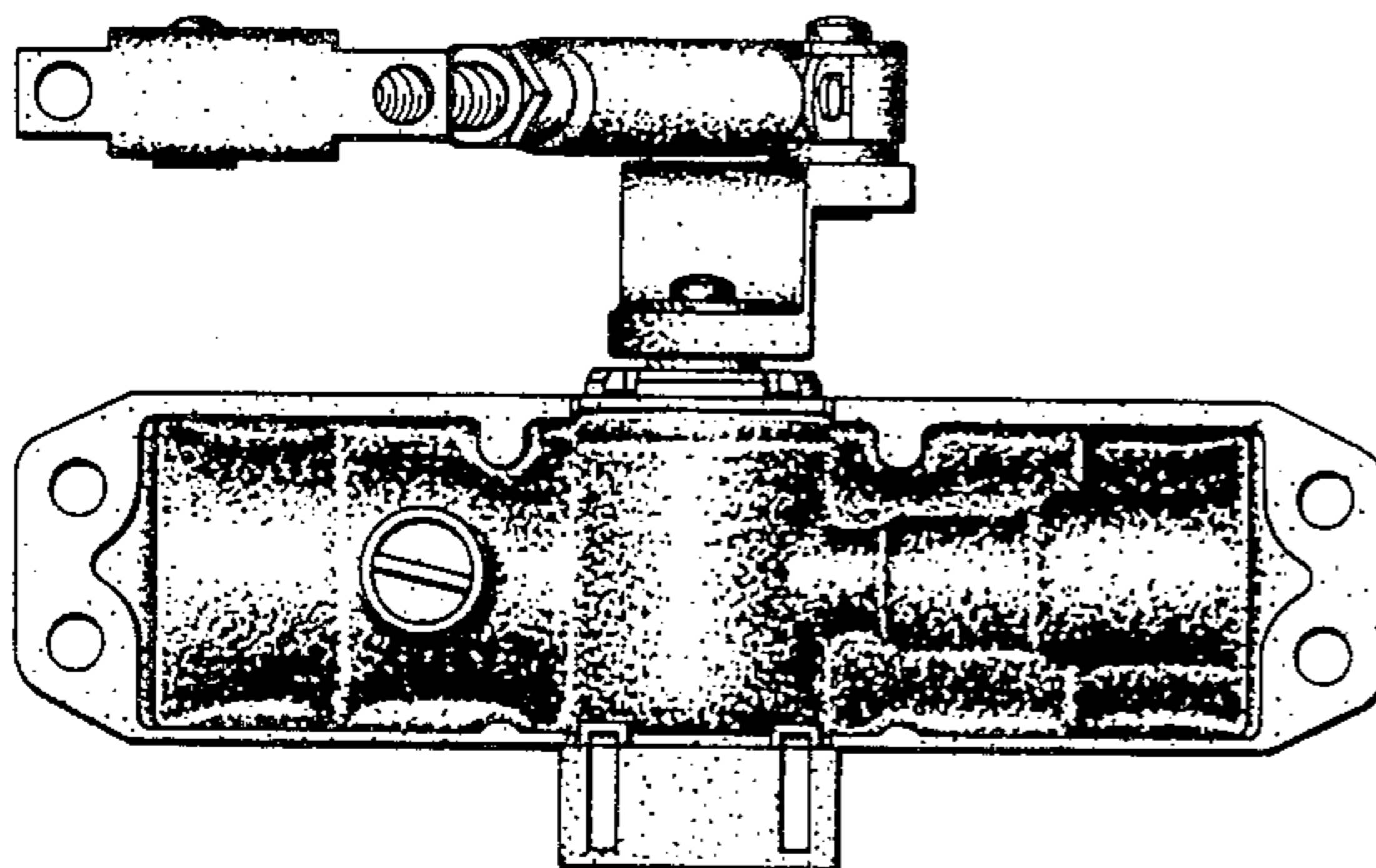


FIG. 3

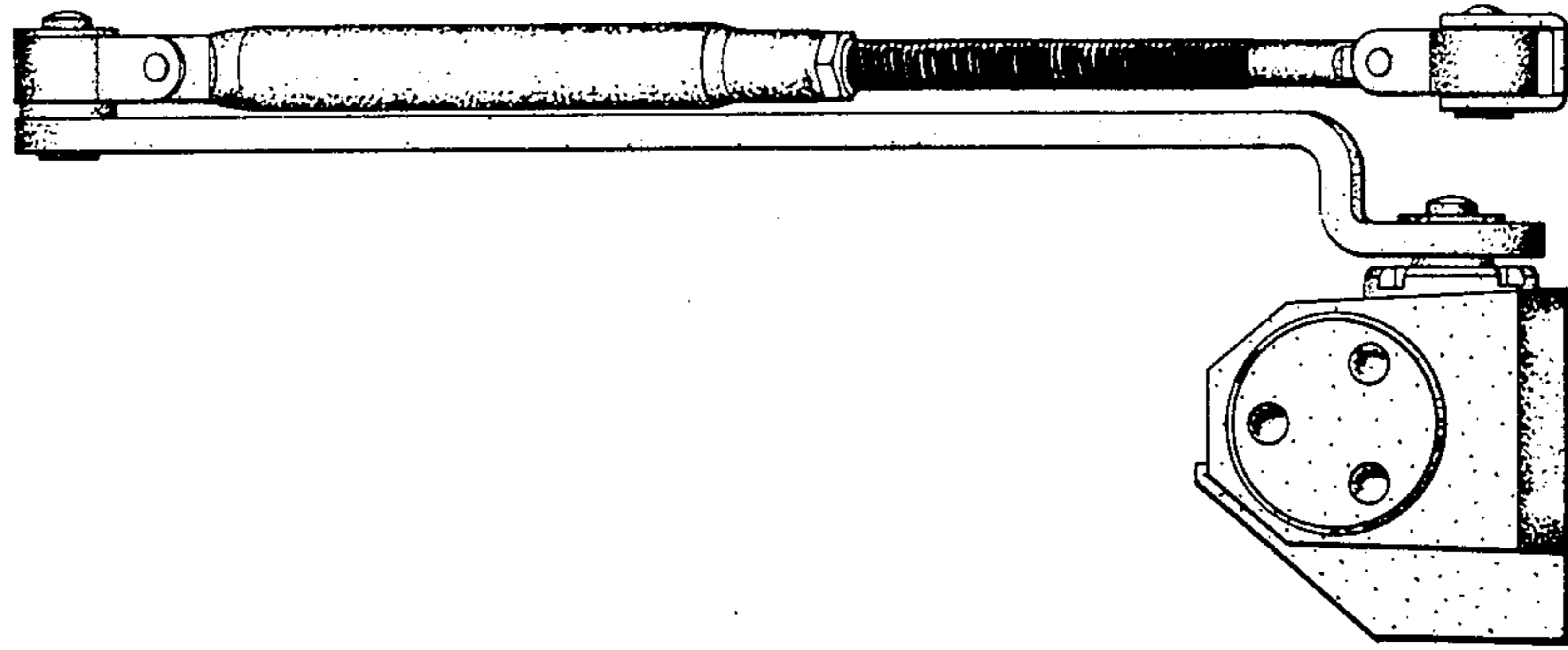


FIG. 4

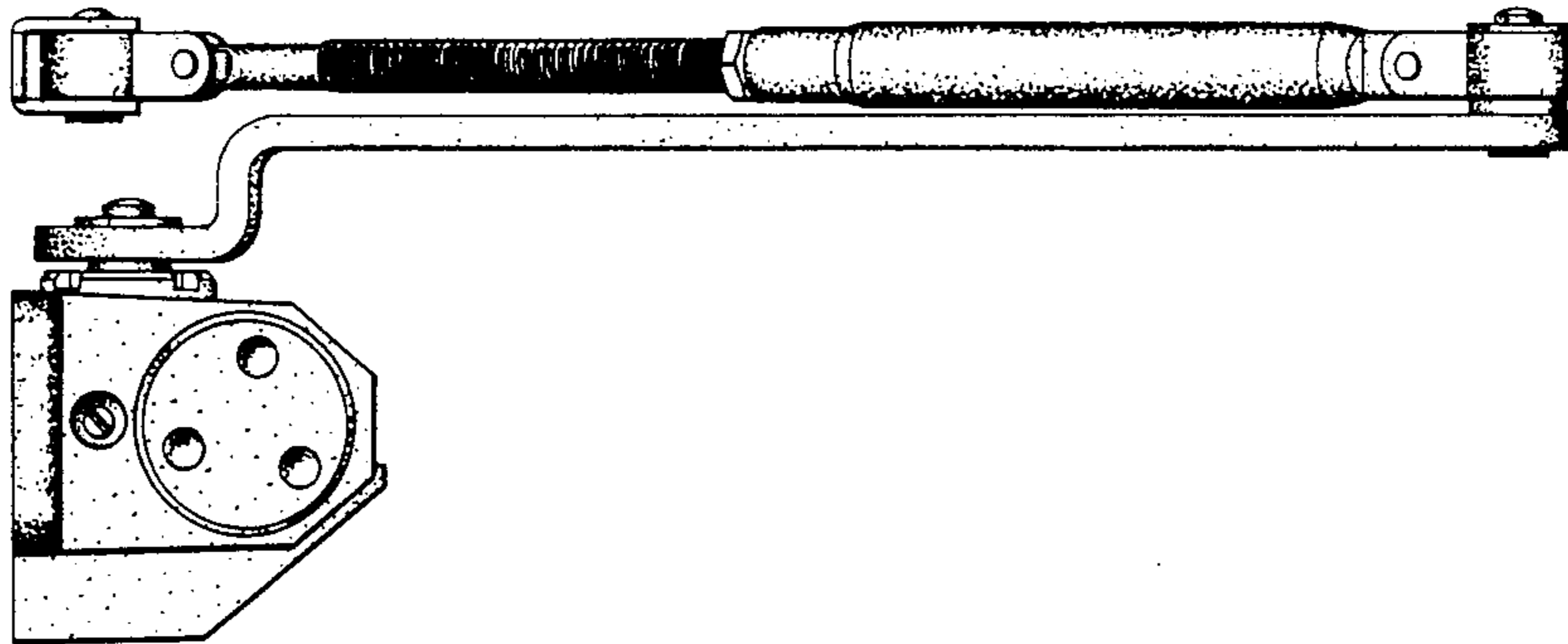


FIG. 5

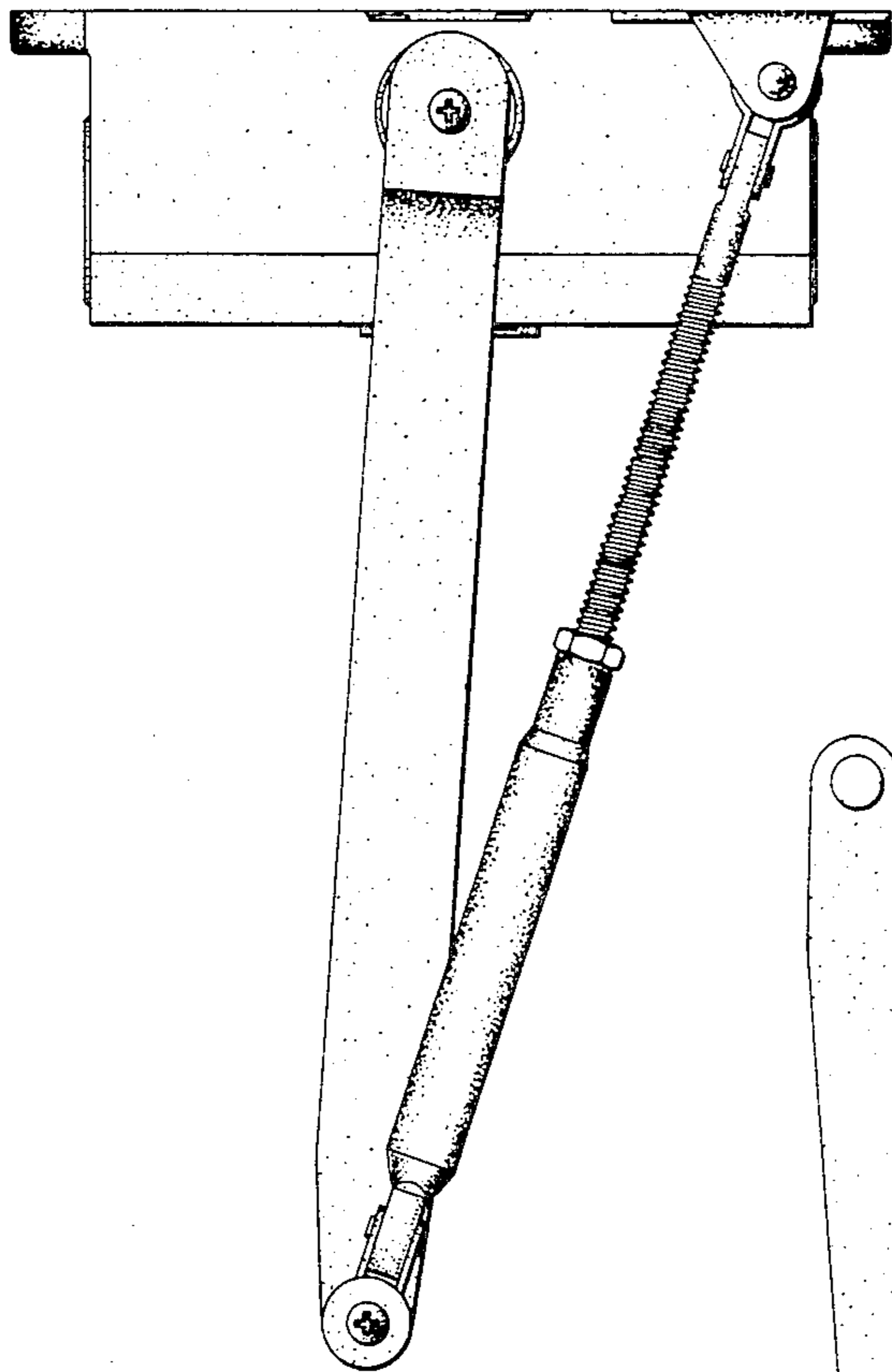


FIG. 6

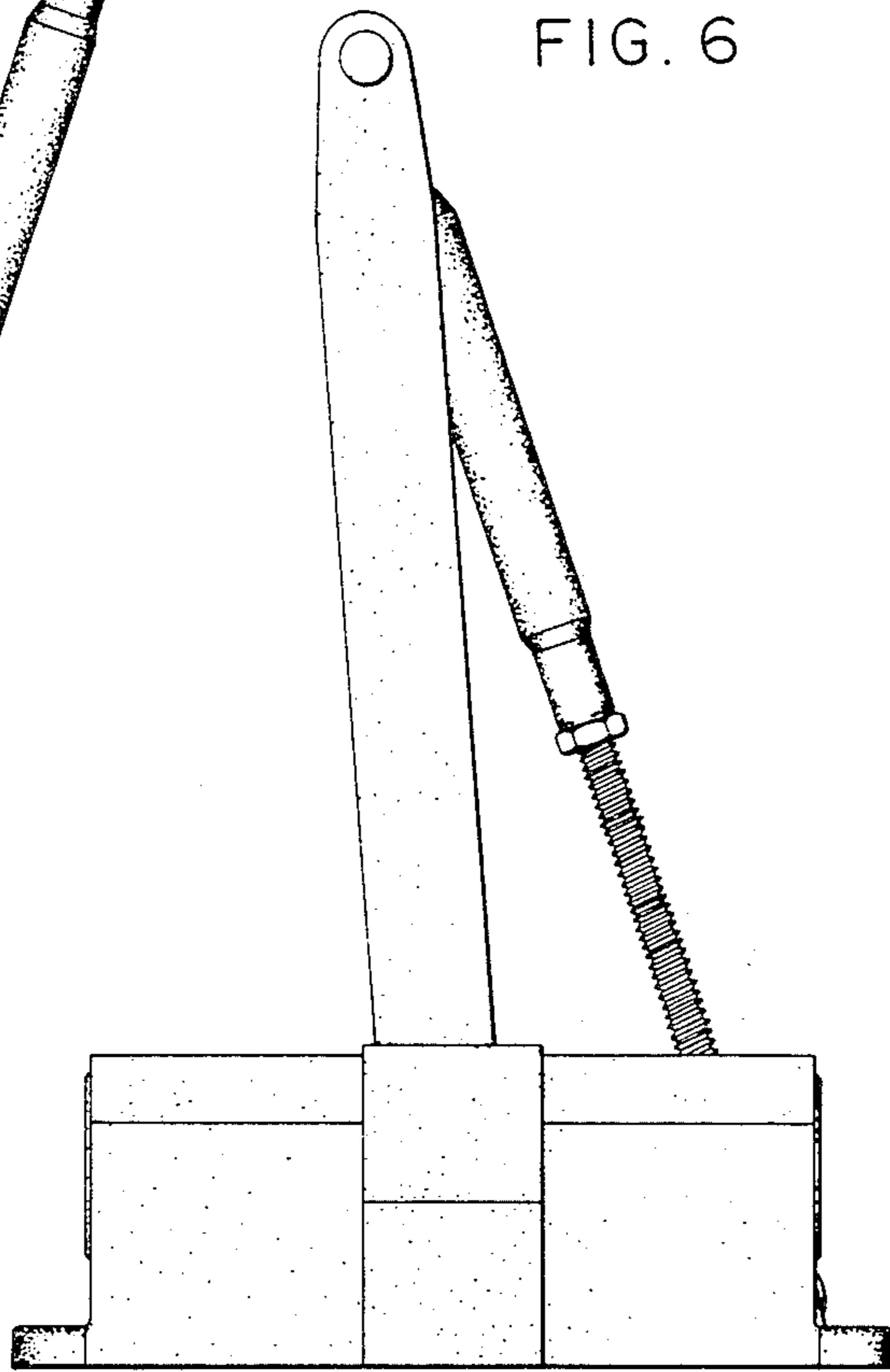


FIG. 7

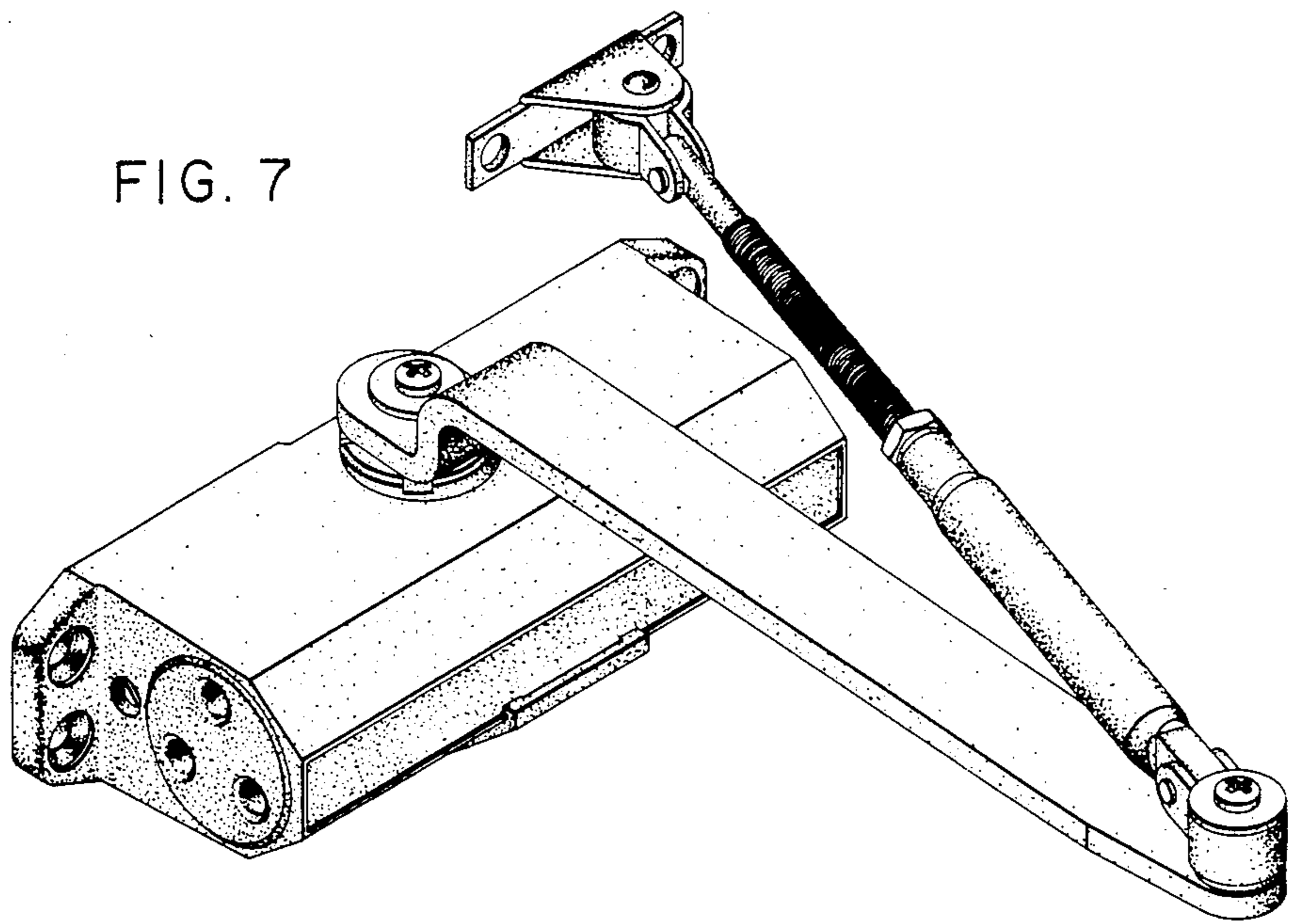


FIG. 8

