

[54] COMBINED FOOD CARRIER AND WARMER

[75] Inventor: Richard H Seager, Mystic, Conn.

[73] Assignee: Temp-Tech Co., Inc., Springfield, Mass.

[**] Term: 14 Years

[21] Appl. No.: 400,852

[22] Filed: Jul. 22, 1982

[52] U.S. Cl. D7/77

[58] Field of Search D7/77, 76, 70, 323, D7/334, 347, 350, 328, 329, 402; D3/40, 30.1; D34/14; 219/386, 390, 387, 397, 399, 401, 385, 406, 407, 408; 220/352, 902

[56] References Cited

U.S. PATENT DOCUMENTS

D. 185,193 5/1959 Dill D7/347
2,704,319 3/1955 Lott 219/387

3,129,317	4/1964	Howard	219/387
3,387,114	6/1968	Brake, Jr. et al.	219/386
3,714,394	1/1973	Evans	219/386
4,039,776	8/1977	Roderick	219/401
4,376,558	3/1983	Bandar	220/400 X

Primary Examiner—Bernard Ansher
Assistant Examiner—Linda Titolo
Attorney, Agent, or Firm—Fishman & Dionne

[57] CLAIM

The ornamental design for a combined food carrier and warmer, as shown and described.

DESCRIPTION

FIG. 1 is a left, front perspective view of a combined food carrier and warmer showing my new design; FIG. 2 is a left, rear perspective view thereof; FIG. 3 is a top plan view thereof; and, FIG. 4 is a bottom plan view thereof. The right side elevation is substantially a mirror image of the undisclosed left side.

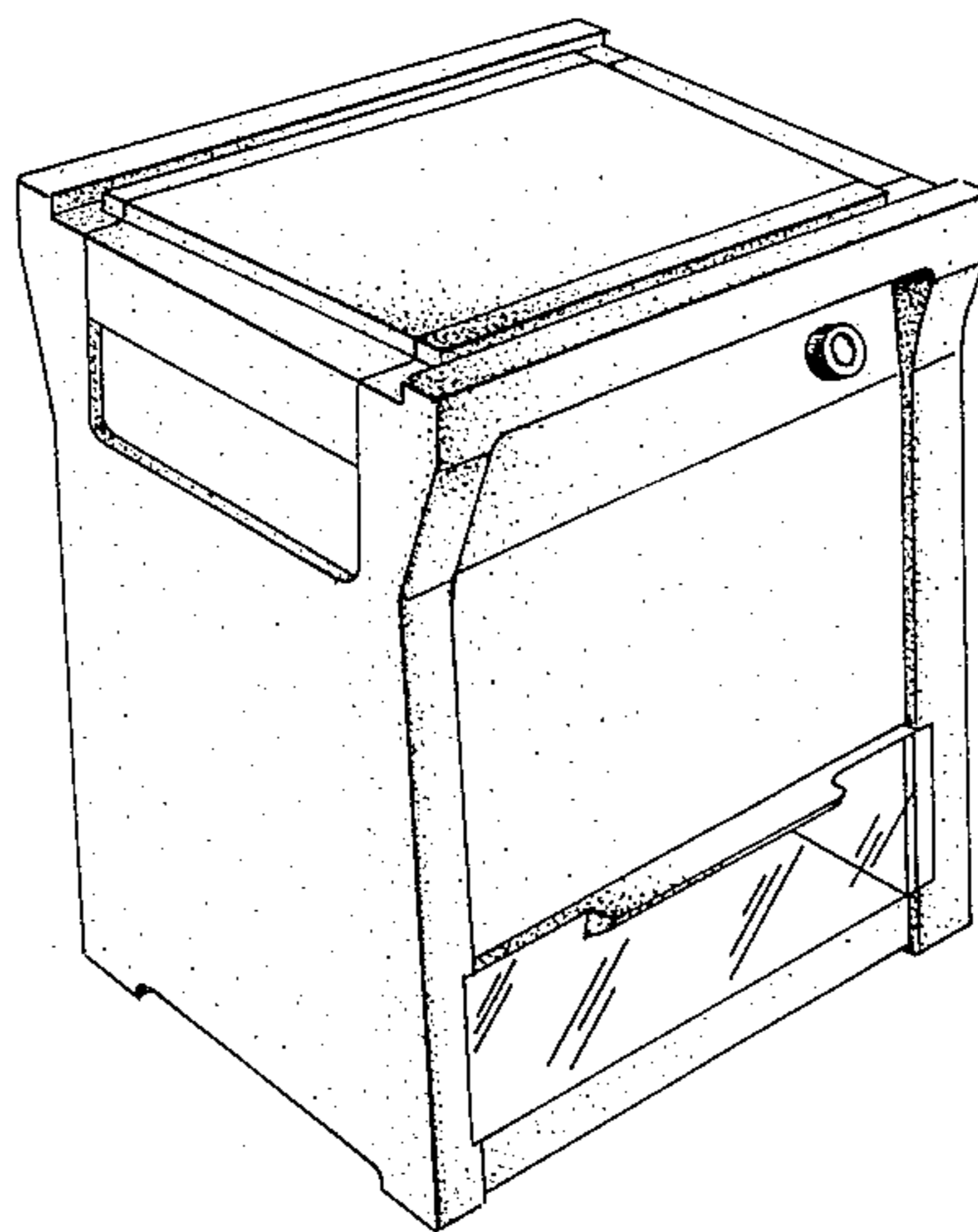


Fig. 1.

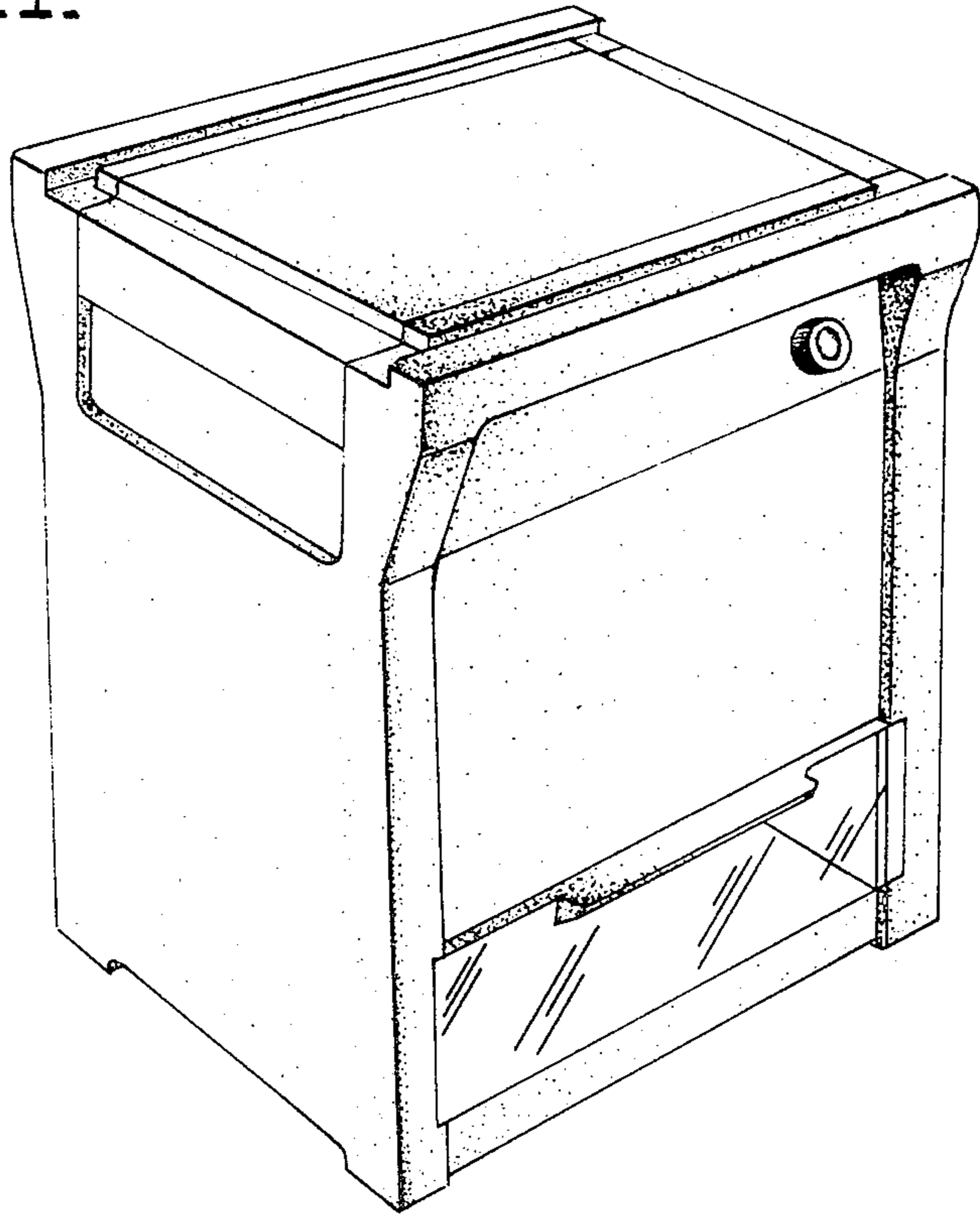


Fig. 2.

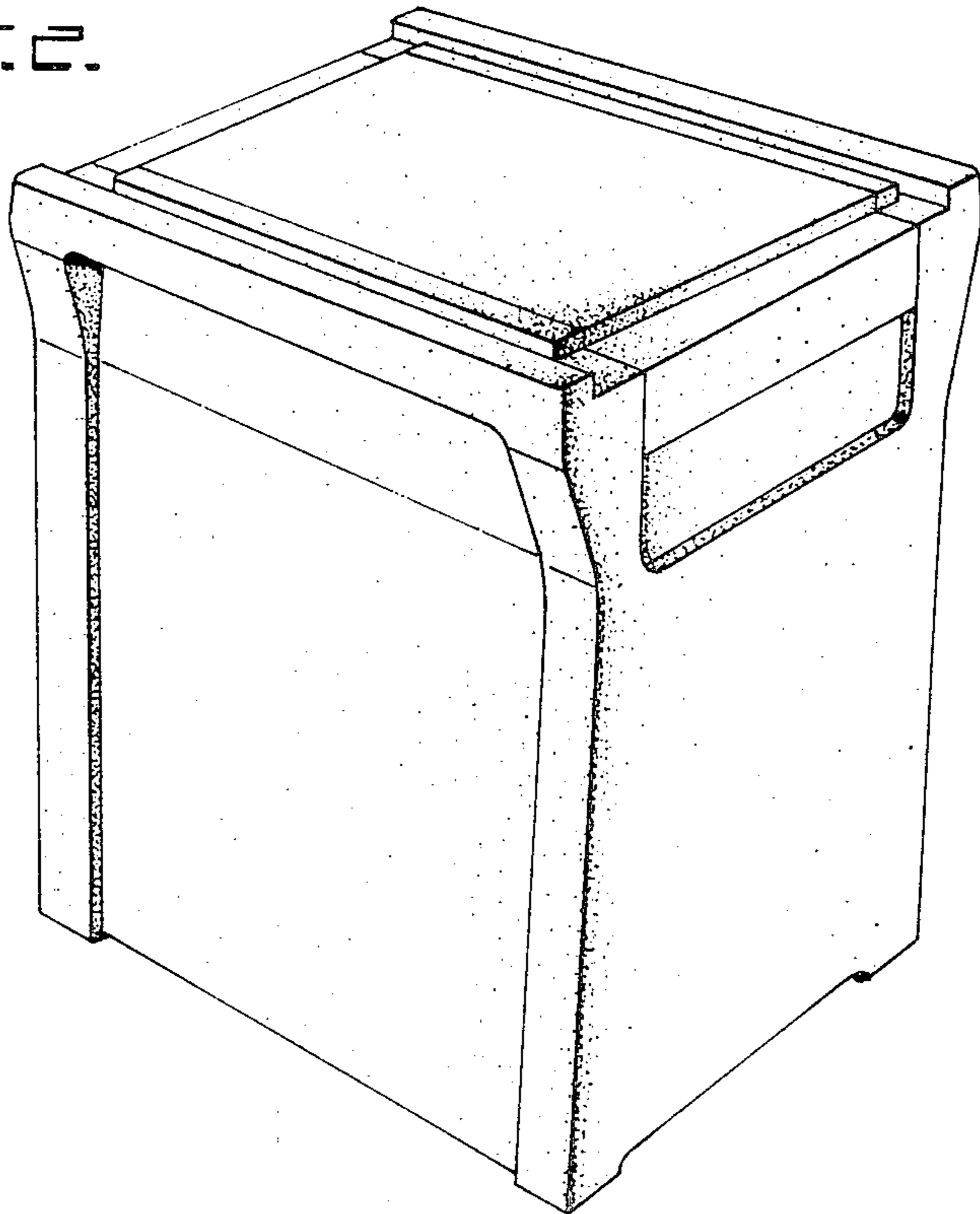


FIG. 3.

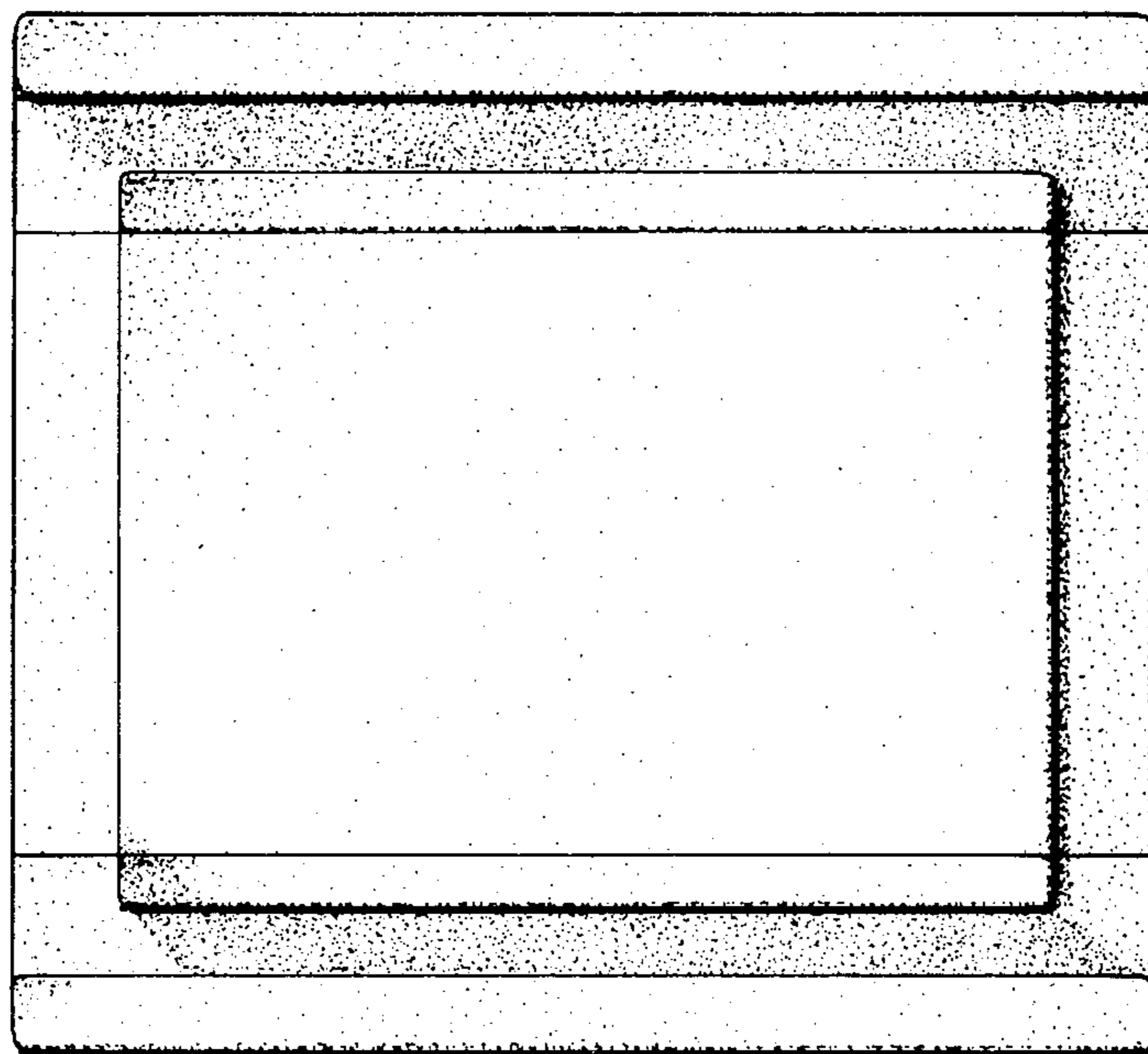


FIG. 4.

