

[54] **ENCLOSED CONTAINER**

[75] **Inventor: Edgar F. Trombly, Grosse Pointe Farms, Mich.**

[73] **Assignee: Thermo-Serv, Inc., Anoka, Minn.**

[\*\*] **Term: 14 Years**

[21] **Appl. No.: 457,709**

[22] **Filed: Jan. 13, 1983**

[52] **U.S. Cl. .... D7/17**

[58] **Field of Search ..... D7/17, 76, 16; D9/352; 150/55; 220/306, 352, 356**

[56] **References Cited**

**U.S. PATENT DOCUMENTS**

- D. 241,399 9/1976 Christian ..... D9/352 X
- D. 244,246 5/1977 Daenen ..... D9/352 X
- D. 244,741 6/1977 Daenen ..... D7/17

- D. 248,216 6/1978 Allen et al. .... D9/352
- D. 257,930 1/1981 Conti ..... D7/76 X
- D. 276,398 11/1984 Conti et al. .... D7/16
- 2,765,832 10/1956 Topper ..... D7/17 X

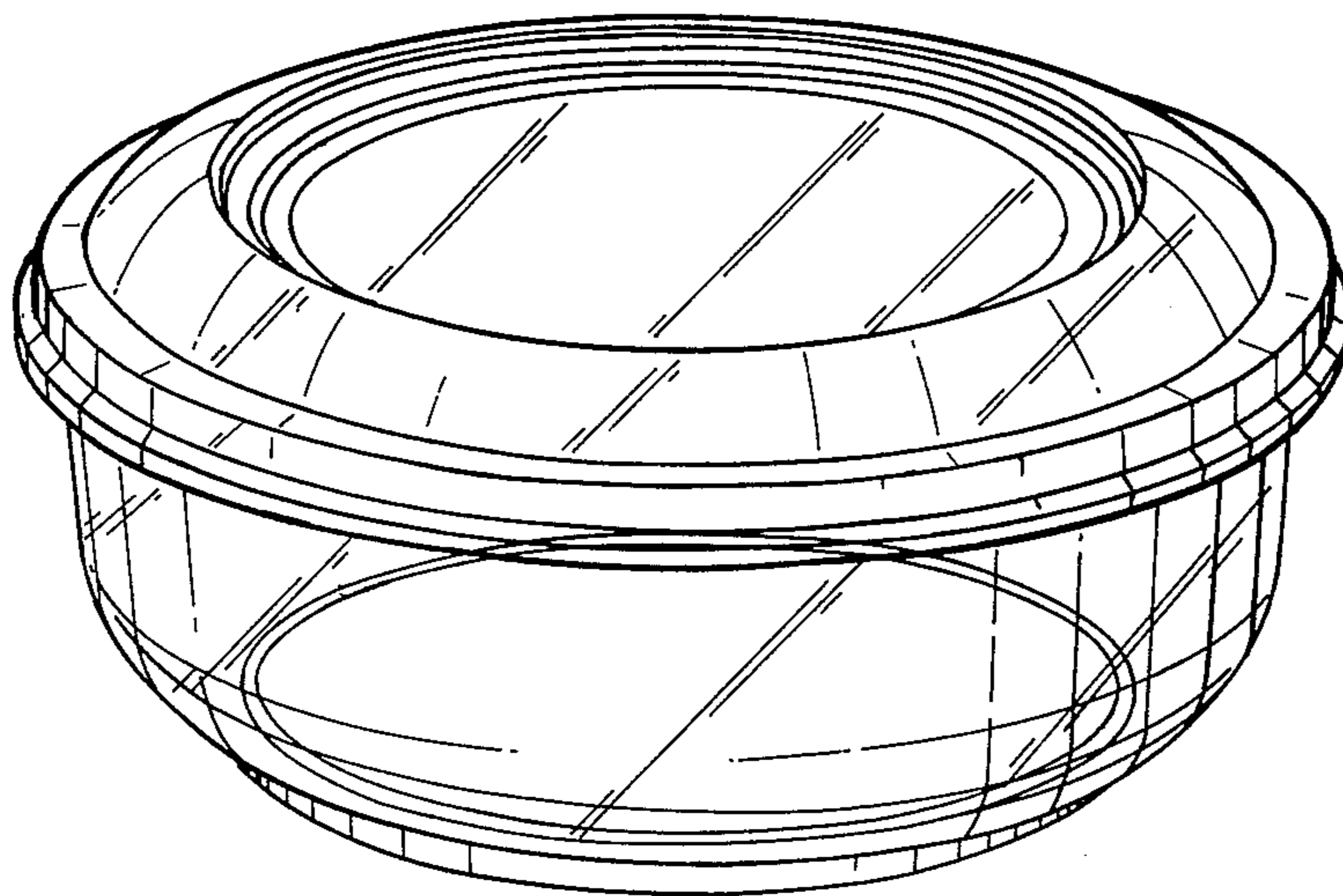
*Primary Examiner—Bernard Ansher*  
*Assistant Examiner—Linda Titolo*  
*Attorney, Agent, or Firm—Kenneth J. Hovet*

[57] **CLAIM**

The ornamental design for an enclosed container, substantially as shown and described.

**DESCRIPTION**

FIG. 1 is a top front perspective view of an enclosed container, showing my new design;  
FIG. 2 is a top plan view thereof;  
FIG. 3 is a right rear elevational view thereof;  
FIG. 4 is a left rear elevational view thereof; and  
FIG. 5 is a bottom plan view thereof.



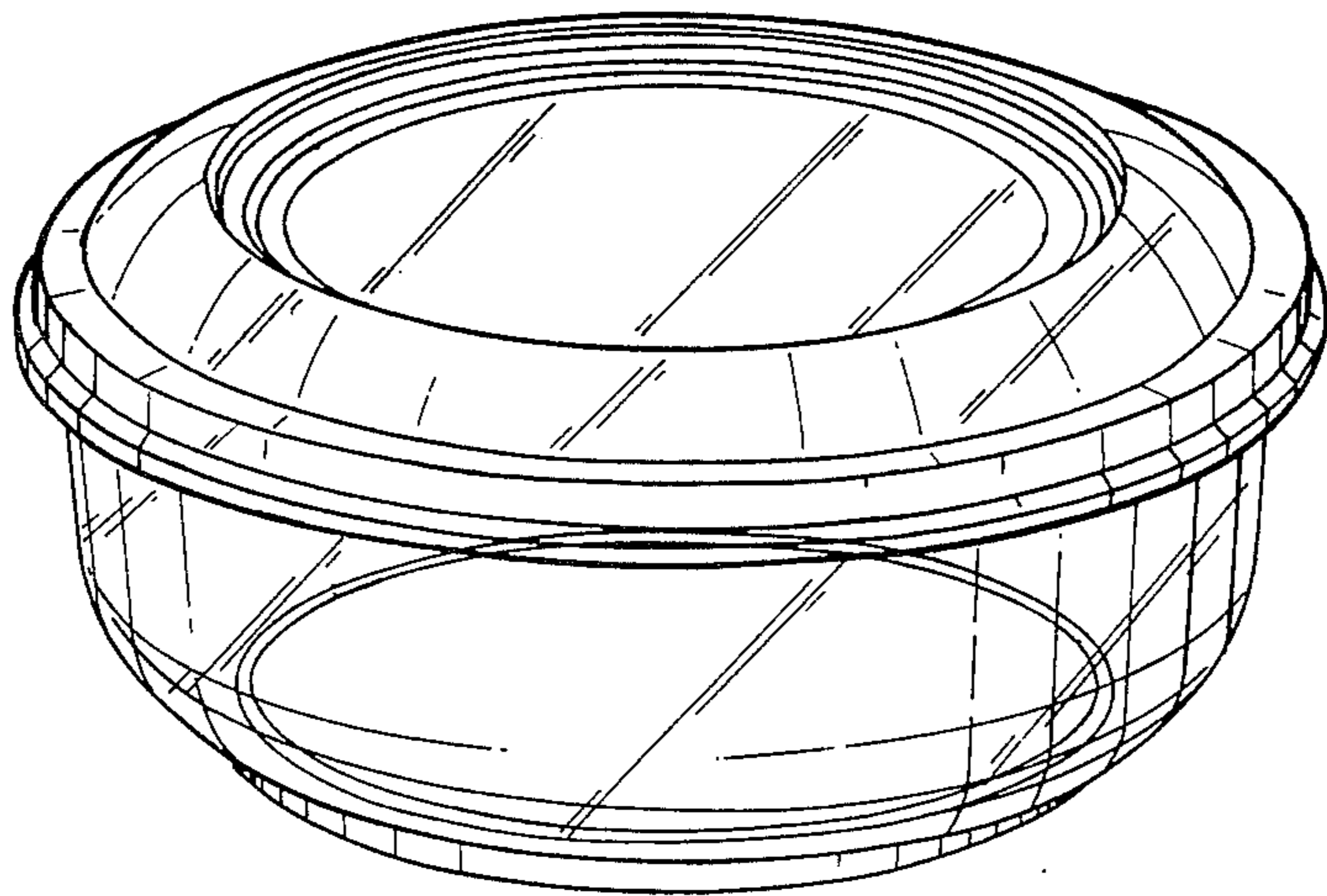


FIG. 1

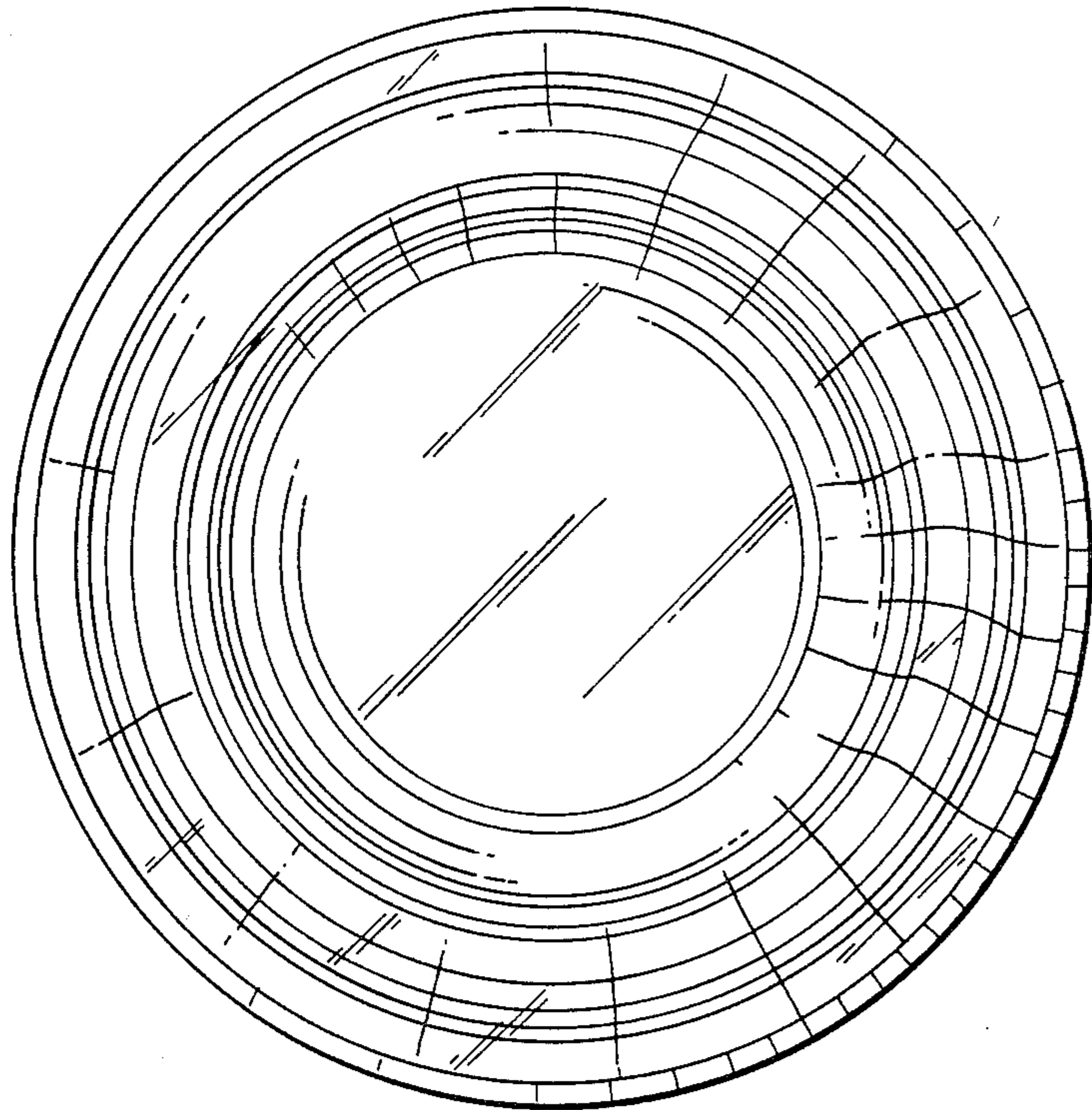


FIG. 2

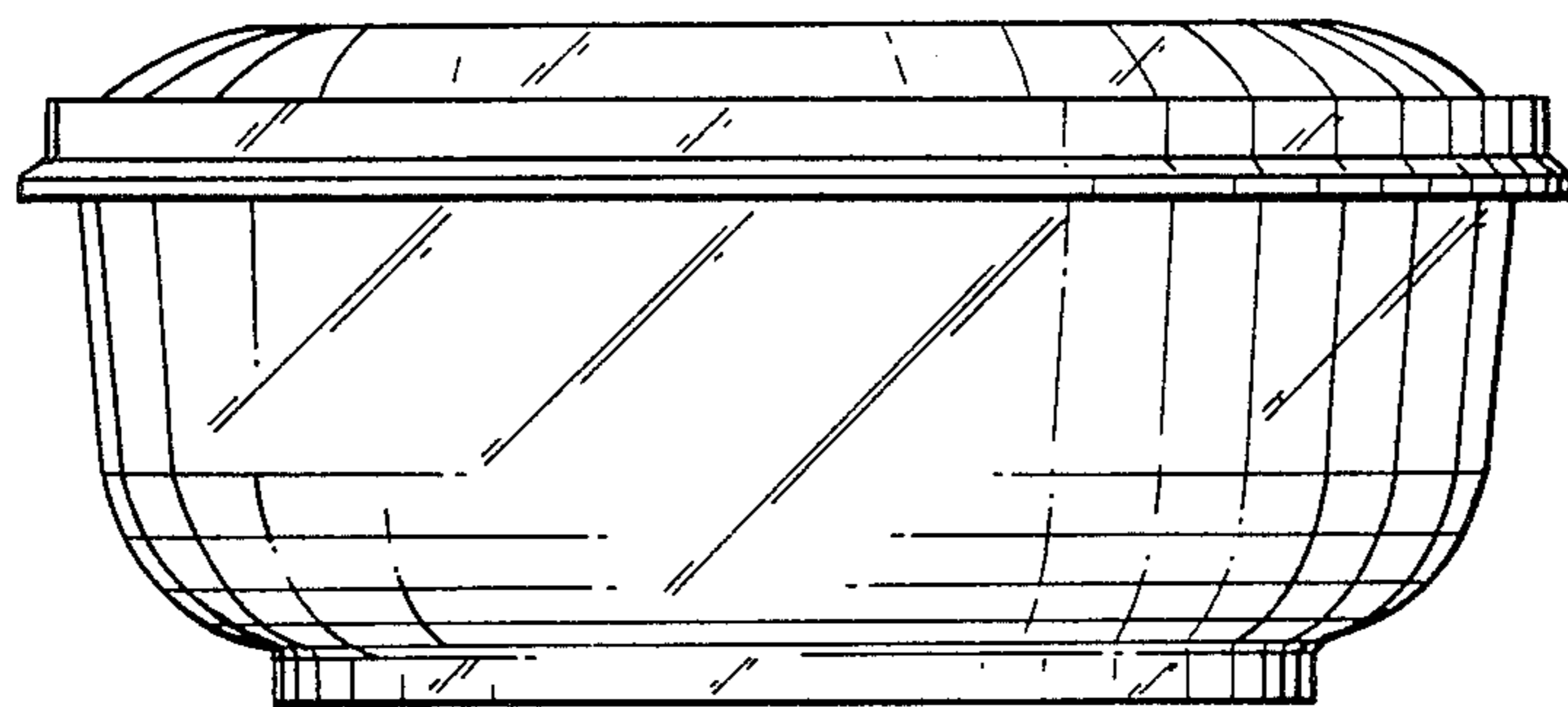


FIG. 3

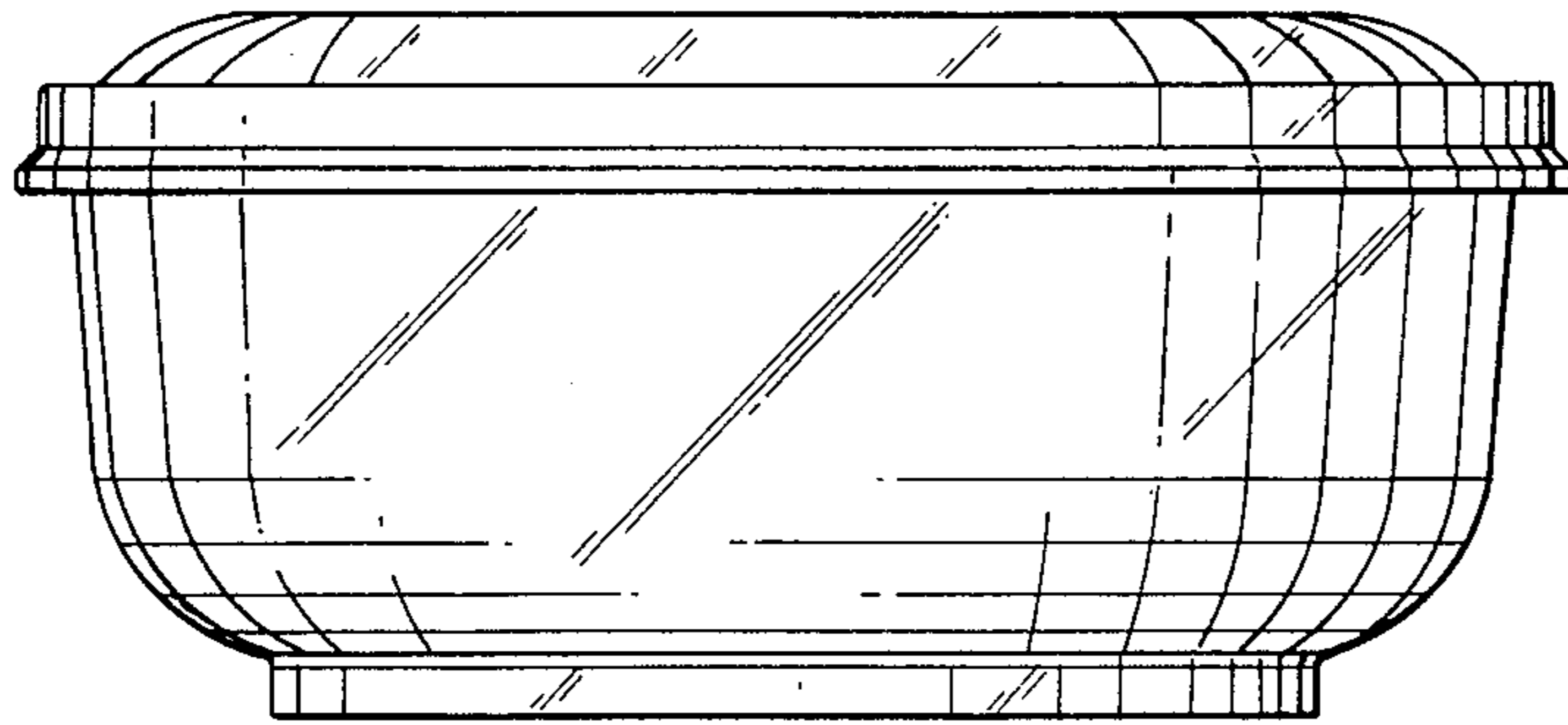


FIG. 4

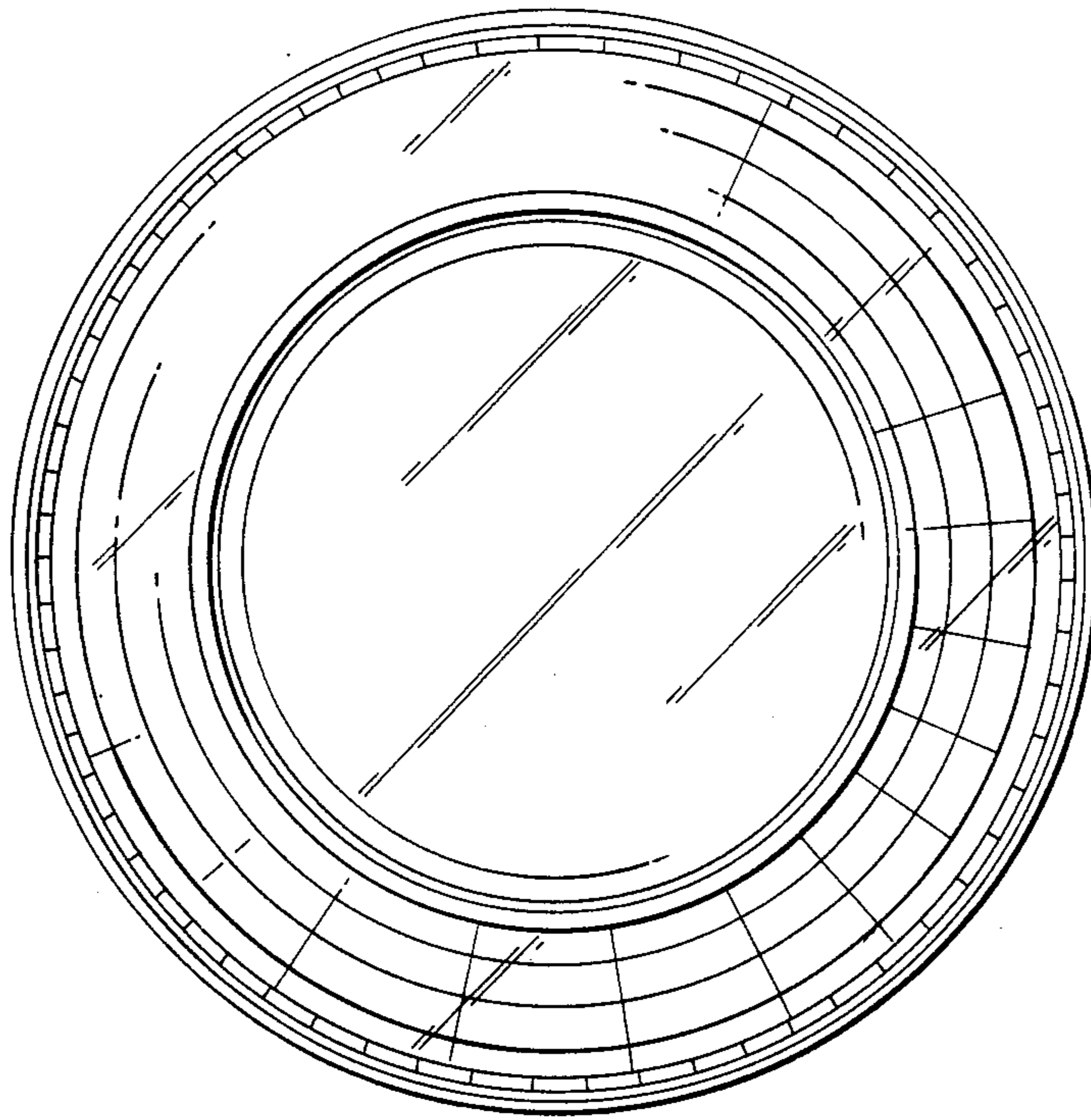


FIG. 5