

[54] STORAGE UNIT

[75] Inventor: Heikki Kiiski, Turku, Finland

[73] Assignee: Treston Oy, Turku, Finland

[**] Term: 14 Years

[21] Appl. No.: 485,602

[22] Filed: Apr. 18, 1983

[30] Foreign Application Priority Data

Dec. 3, 1982 [FI] Finland 821056

[52] U.S. Cl. D6/446; D6/445

[58] Field of Search D6/432, 445, 446;
D19/92; 312/330 R

[56] References Cited

U.S. PATENT DOCUMENTS

- D. 149,434 4/1948 Moberg D6/446
- D. 192,085 1/1962 Ribbens et al. D6/446
- D. 218,080 7/1970 Sierzega D6/446 X
- D. 229,464 12/1973 Martini D6/446

- D. 230,646 3/1974 Unger D19/92
- D. 239,067 3/1976 Sgombick D6/445
- 3,462,208 8/1969 Black et al. 312/330 X

OTHER PUBLICATIONS

Office Products Dealer Sep. 1981 p. 138; "Drawer File" by Wilson Jones Co. top row second from right.

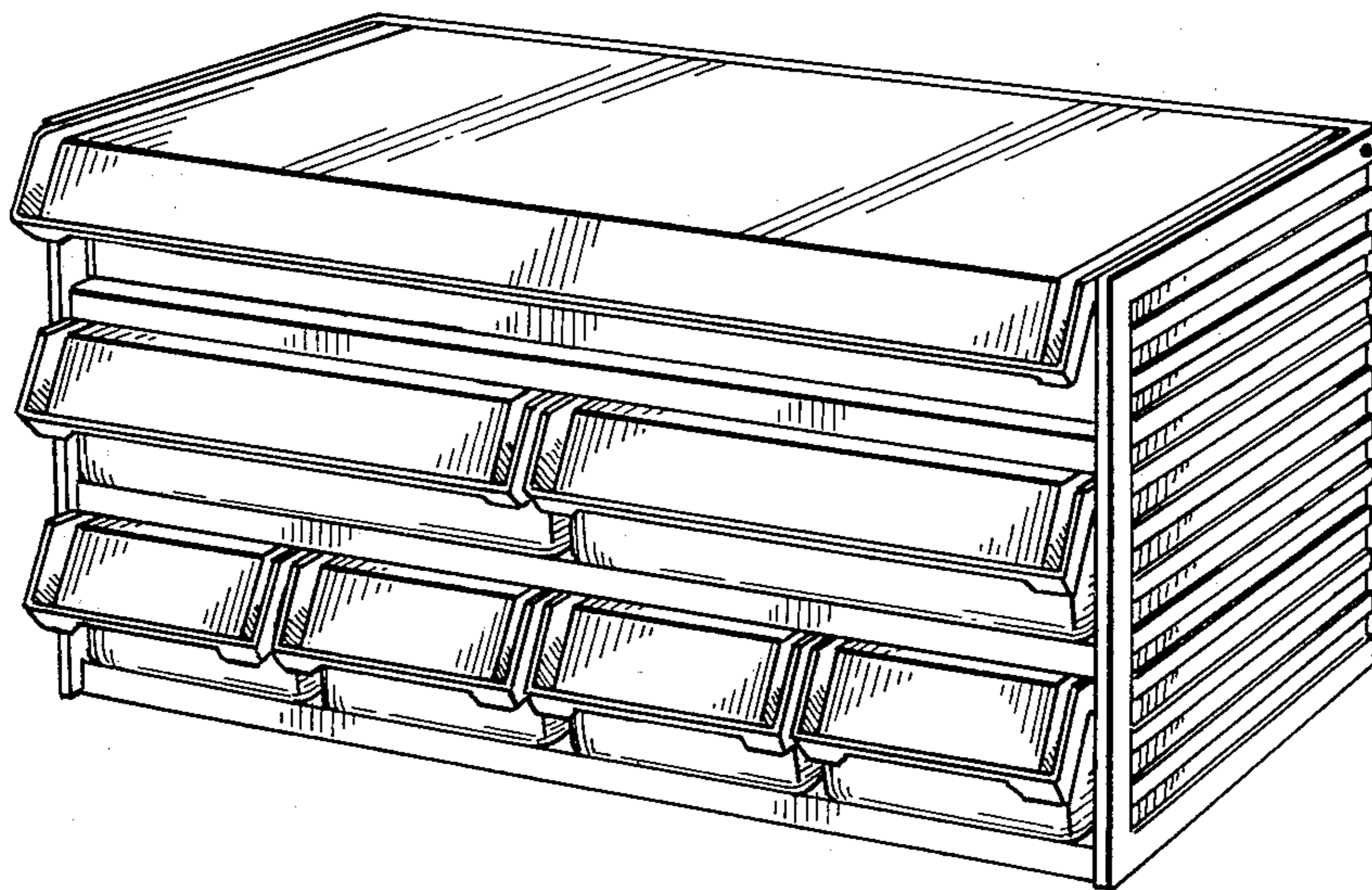
Primary Examiner—Carmen H. Vales
Attorney, Agent, or Firm—Fitch, Even, Tabin & Flannery

[57] CLAIM

The ornamental design for storage unit, as shown and described.

DESCRIPTION

FIG. 1 is a perspective view of a storage unit showing my new design;
 FIG. 2 is a front elevational view thereof;
 FIG. 3 is a top plan view thereof;
 FIG. 4 is a bottom plan view thereof;
 FIG. 5 is a rear elevational view thereof; and
 FIG. 6 is a left side elevational view thereof.



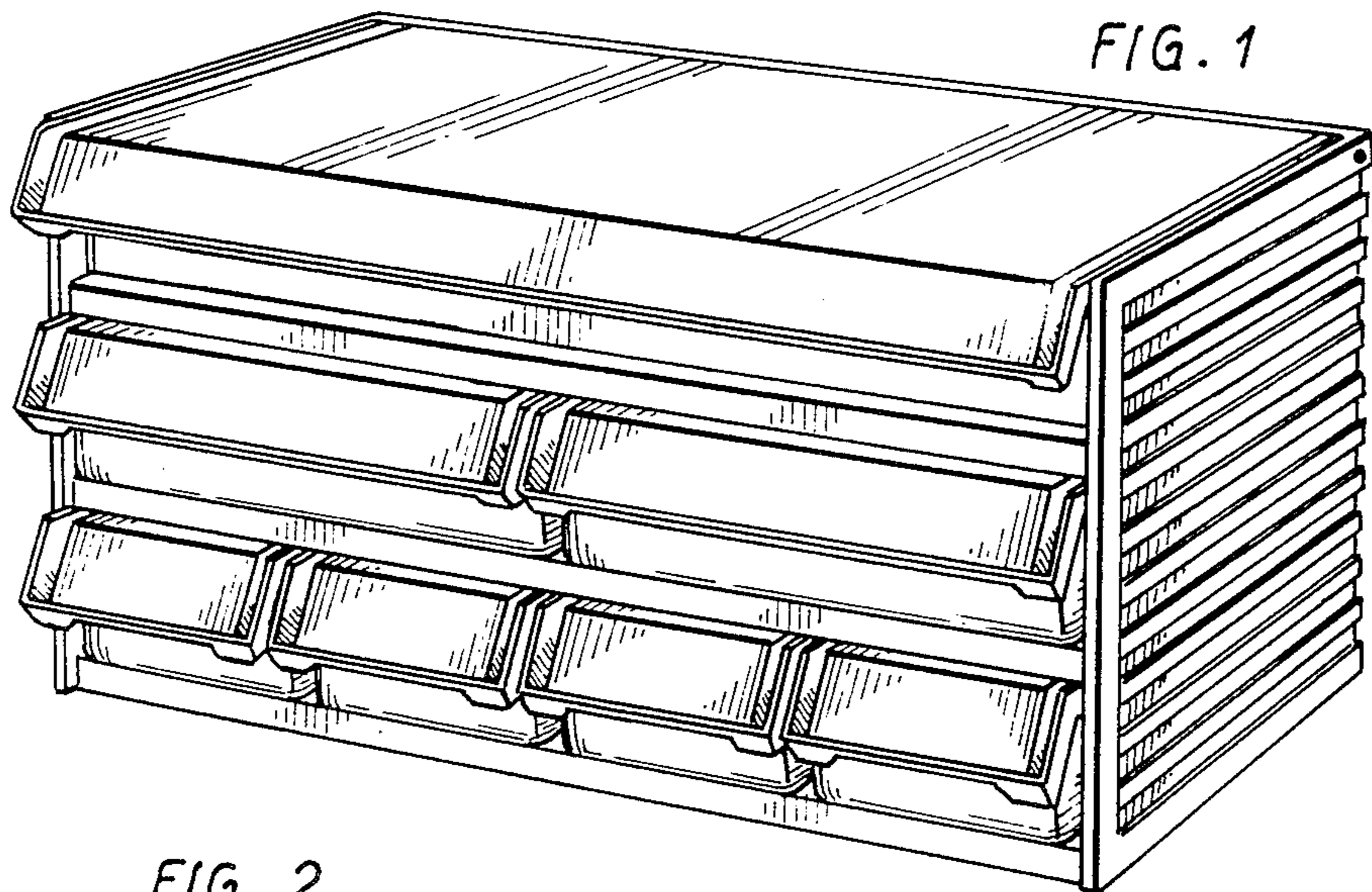


FIG. 2

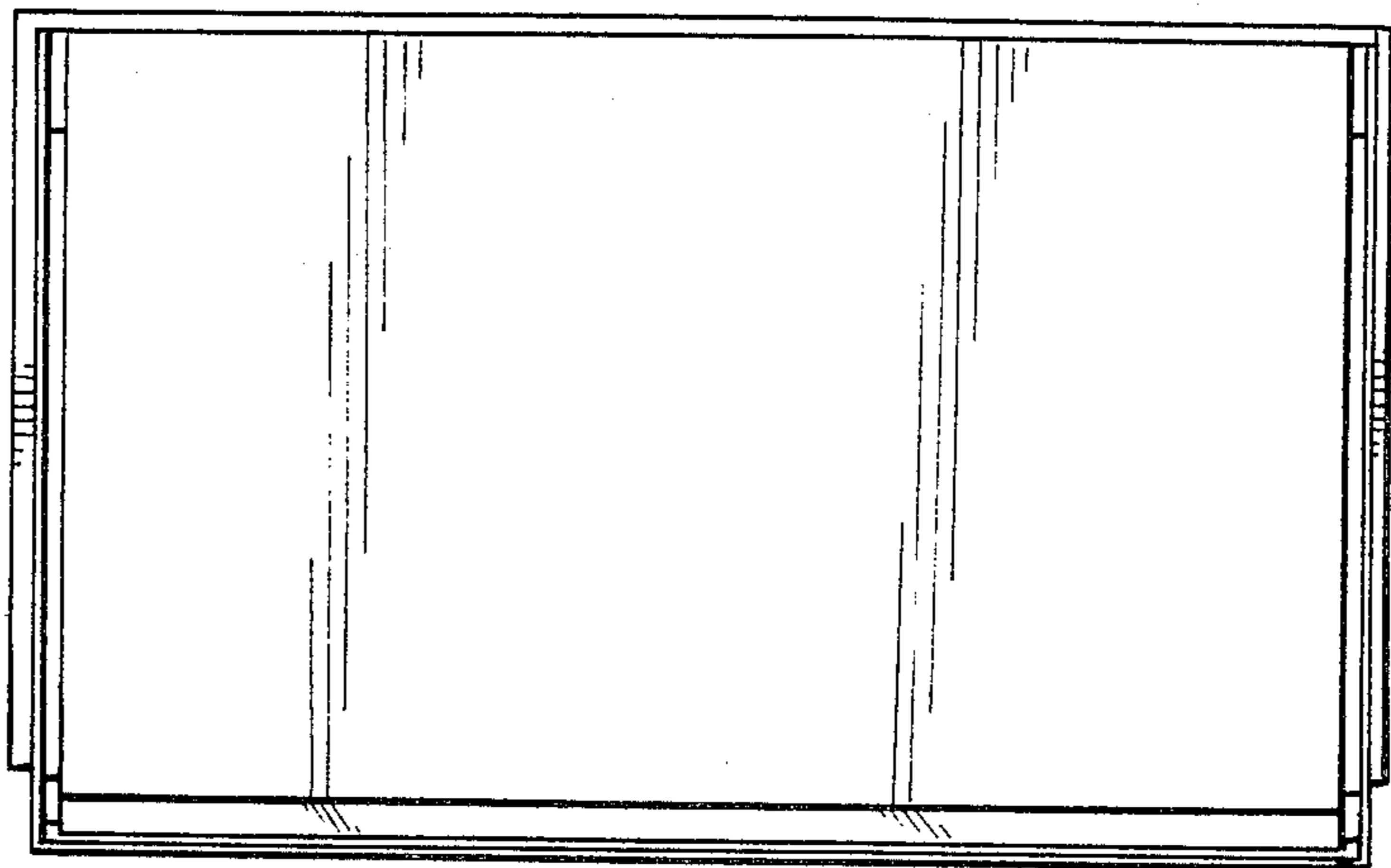
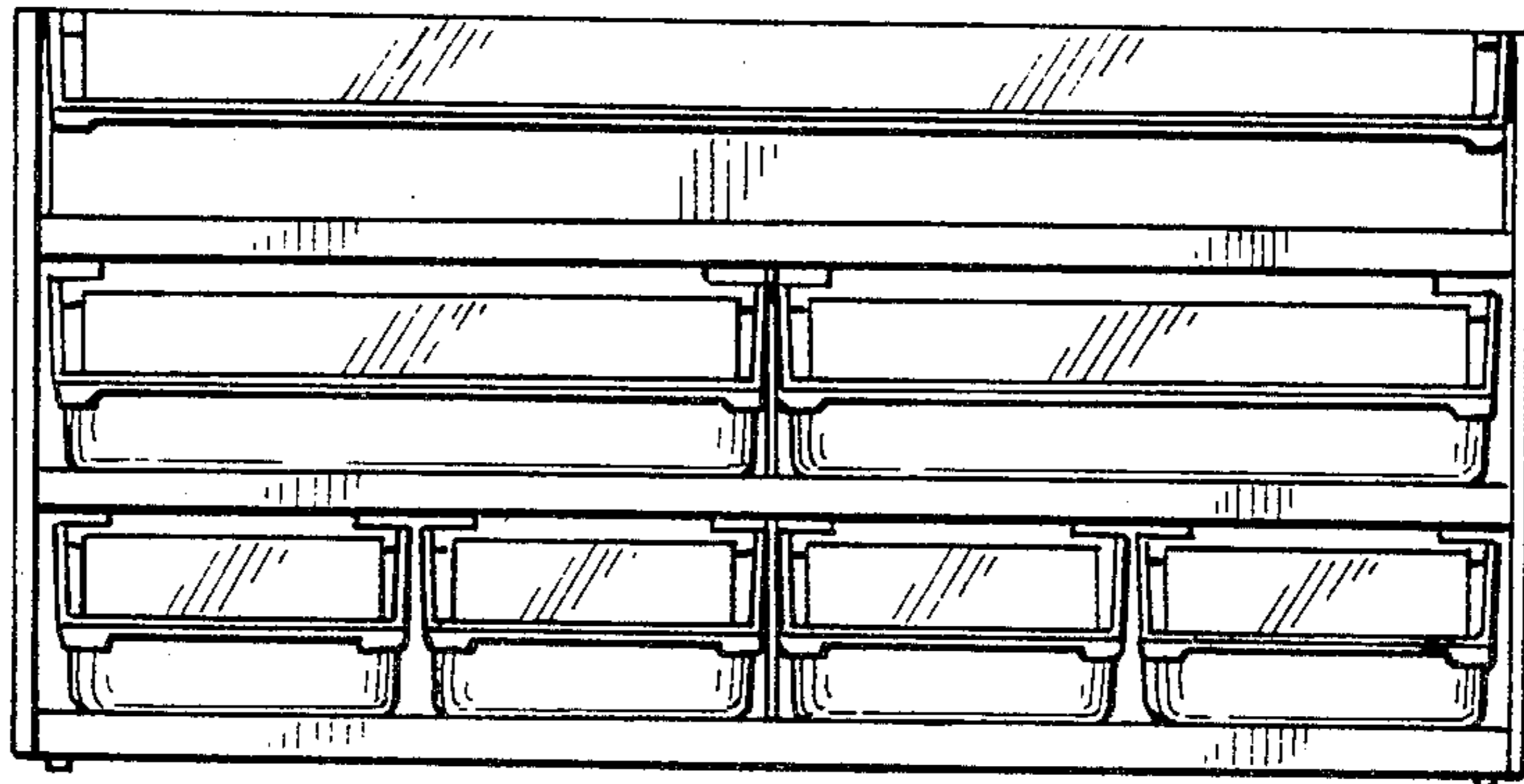


FIG. 3

FIG. 4

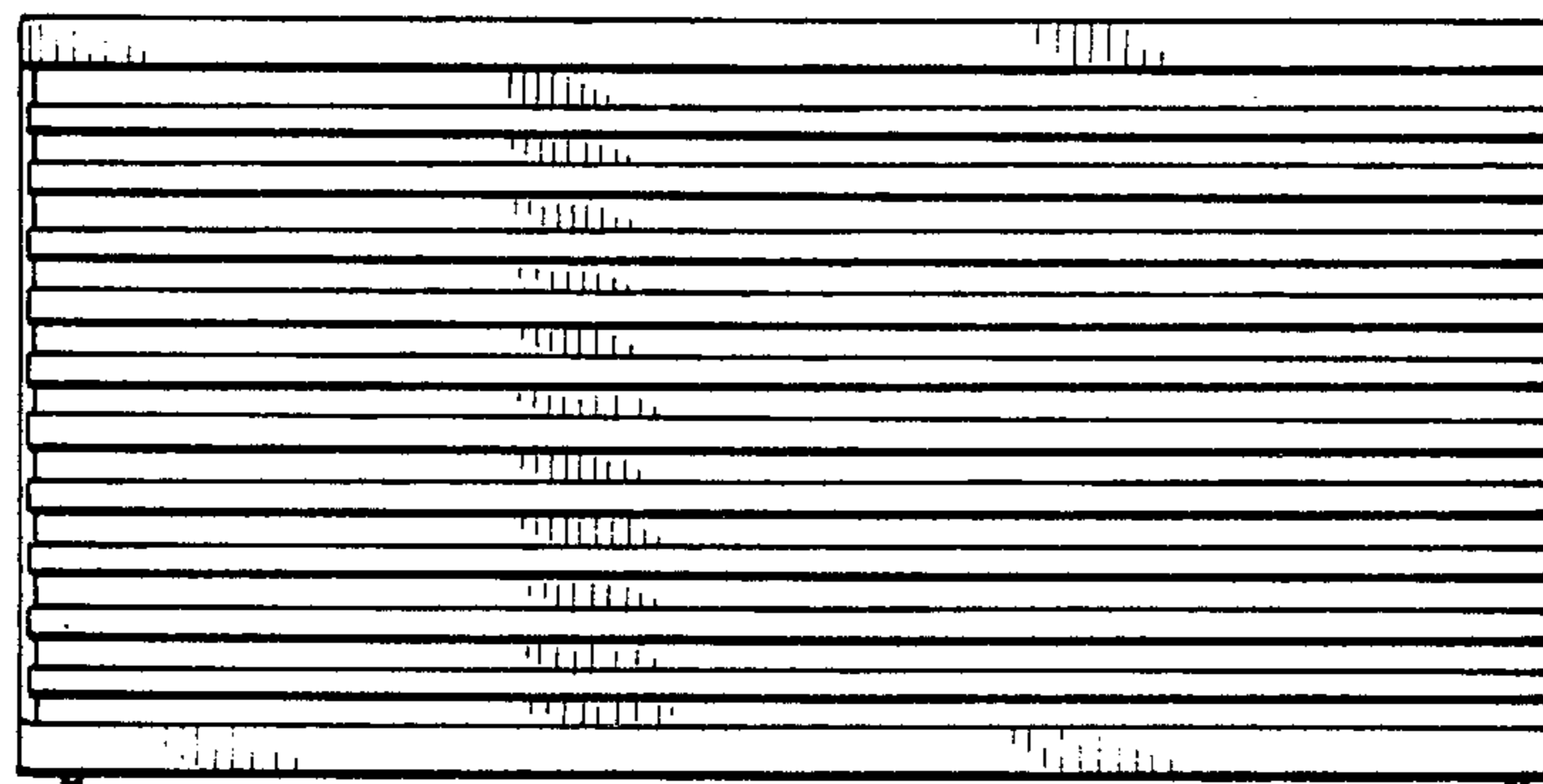
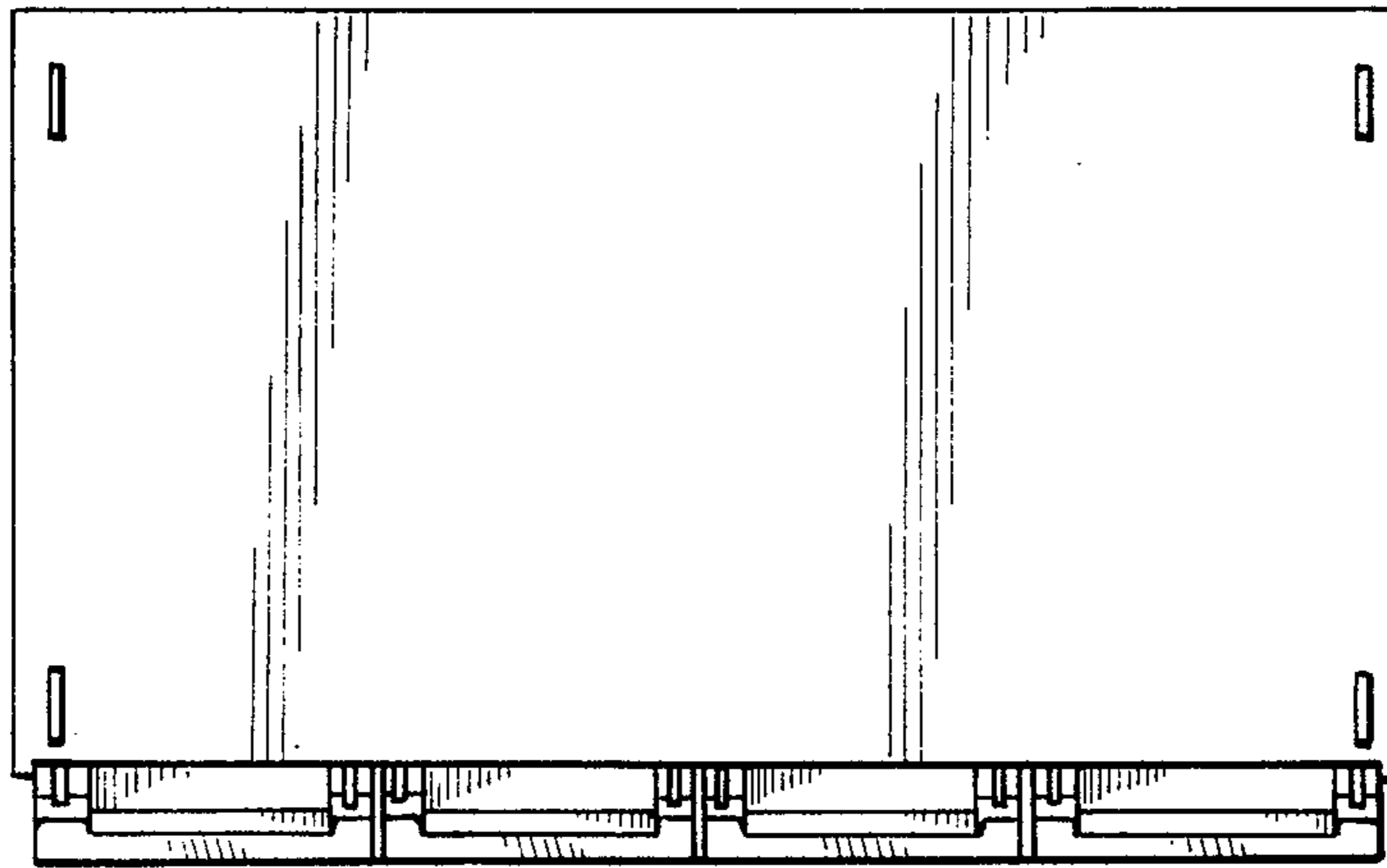


FIG. 5

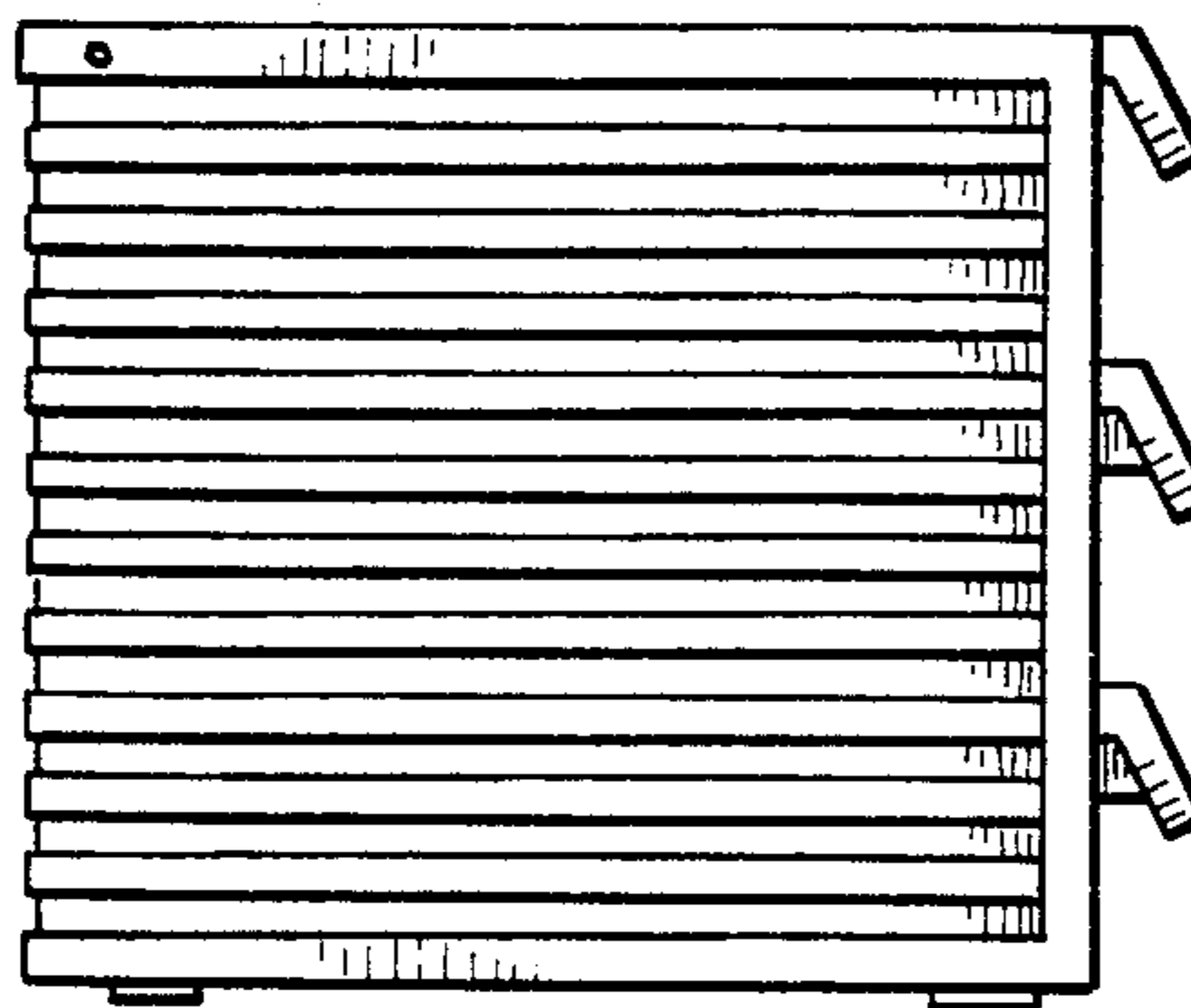


FIG. 6