

[54] **TABLE**

[75] **Inventor: Richard D. Berry, Jr., Hickory, N.C.**

[73] **Assignee: Design Institute America, Inc.,  
Montpelier, Ohio**

[\*\*] **Term: 14 Years**

[21] **Appl. No.: 512,337**

[22] **Filed: Jul. 11, 1983**

[52] **U.S. Cl. .... D6/430**

[58] **Field of Search ..... D6/429, 430, 431, 449,  
D6/480, 482, 484, 487, 490; 108/102, 111, 114**

[56]

**References Cited**

**U.S. PATENT DOCUMENTS**

D. 149,525	5/1948	Sondberg .....	D6/430
D. 153,739	5/1949	Wallace .....	D6/430
D. 205,291	7/1966	Klein et al. ....	D6/430
D. 252,965	9/1979	Petersen .....	D6/430
D. 254,763	4/1980	Crespi .....	D6/430

*Primary Examiner*—Bruce W. Dunkins  
*Attorney, Agent, or Firm*—Fraser & Clemens

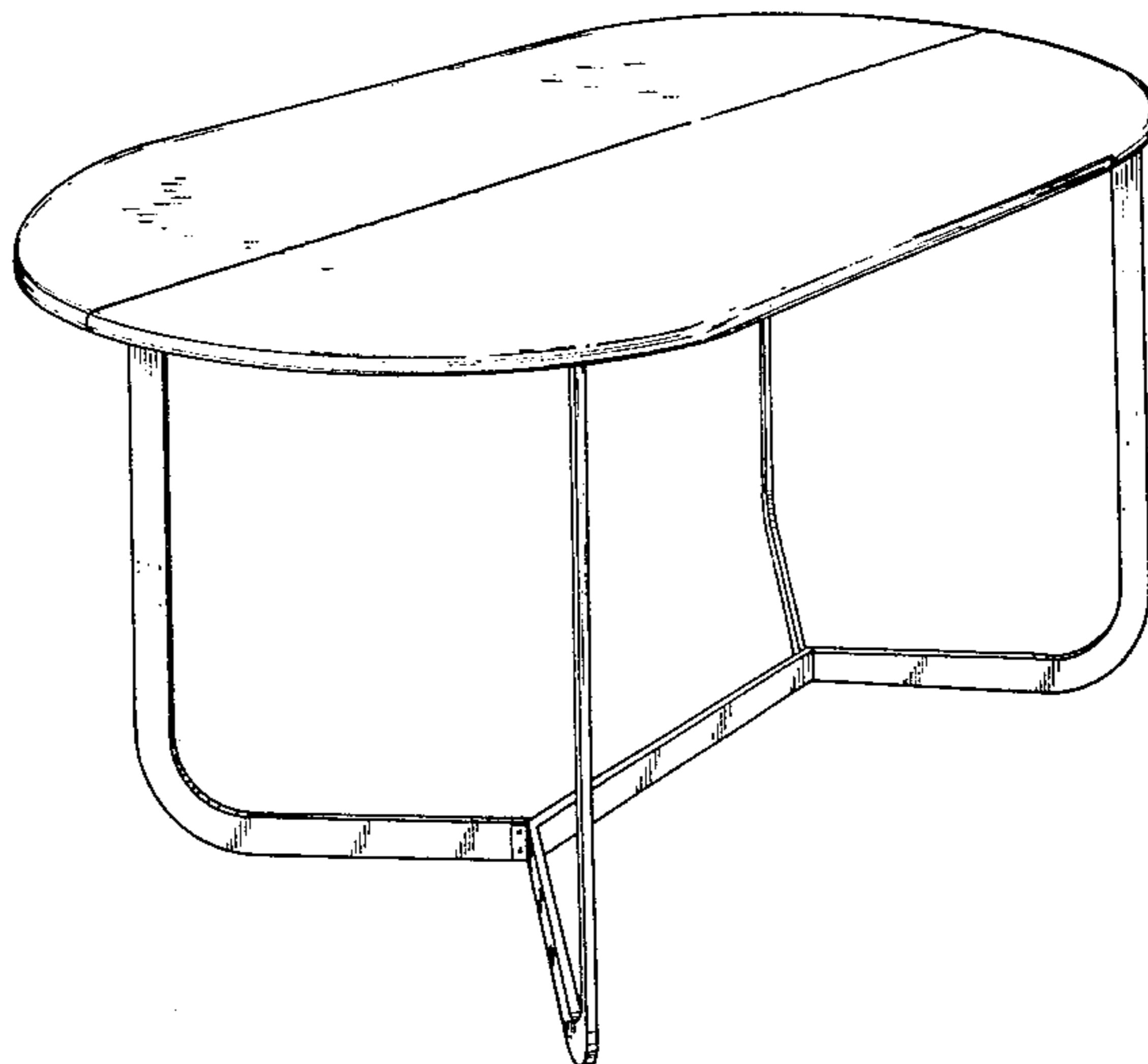
[57]

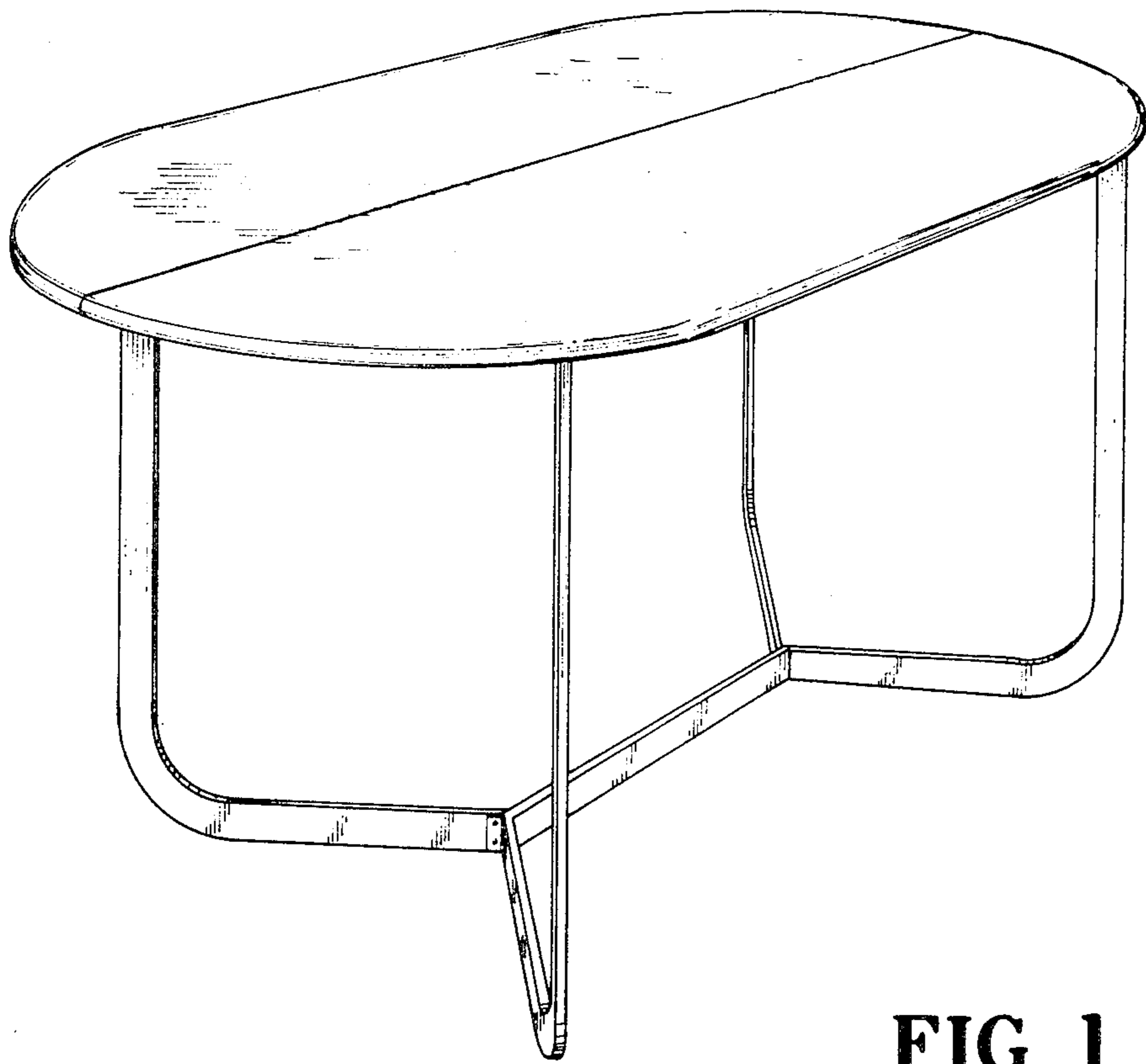
**CLAIM**

The ornamental design for a table, as shown.

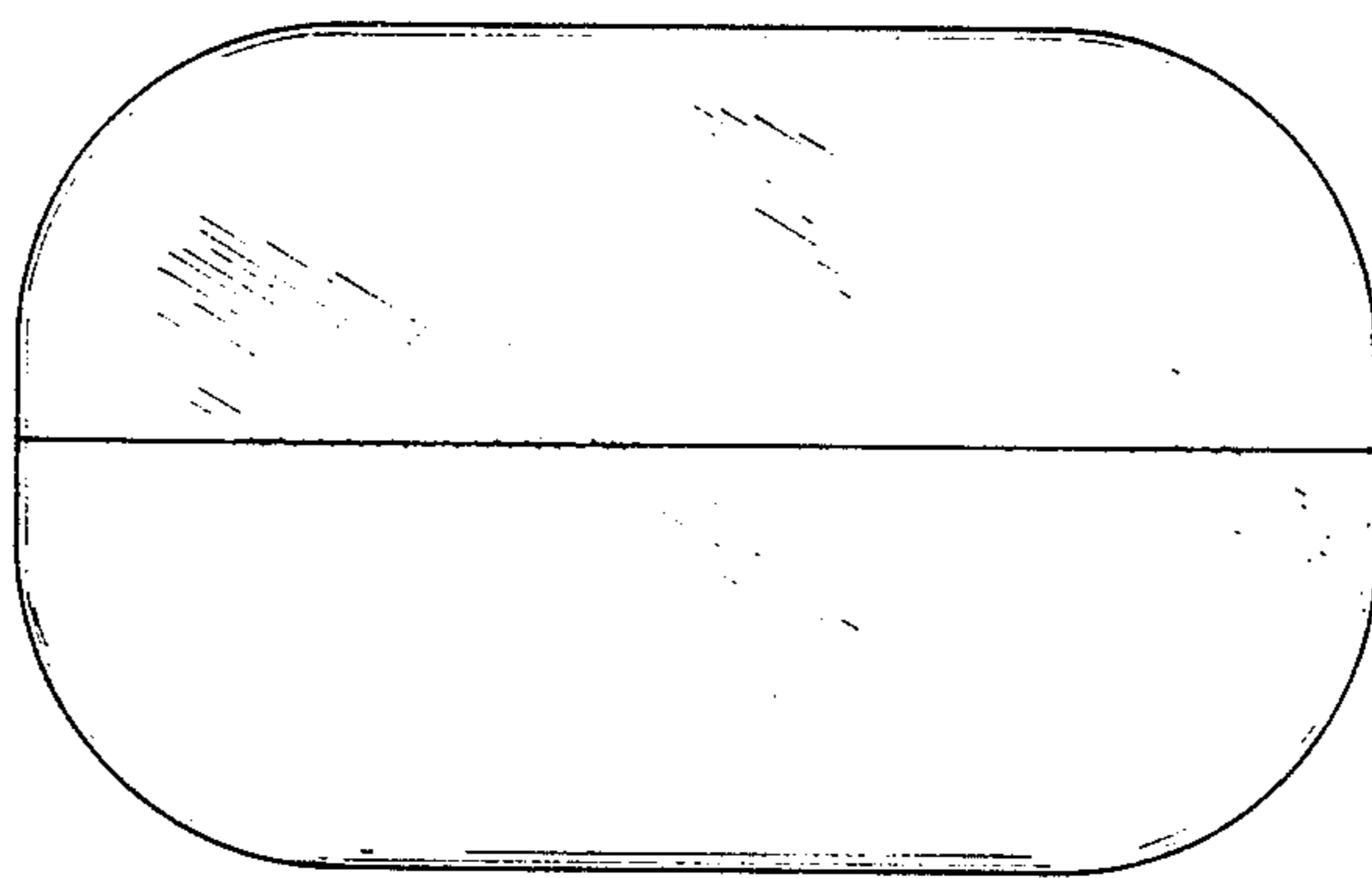
**DESCRIPTION**

FIG. 1 is a perspective view of a table embodying my new design;  
FIG. 2 is a top plan view thereof;  
FIG. 3 is a front elevational view thereof; and  
FIG. 4 is a side elevational view thereof.

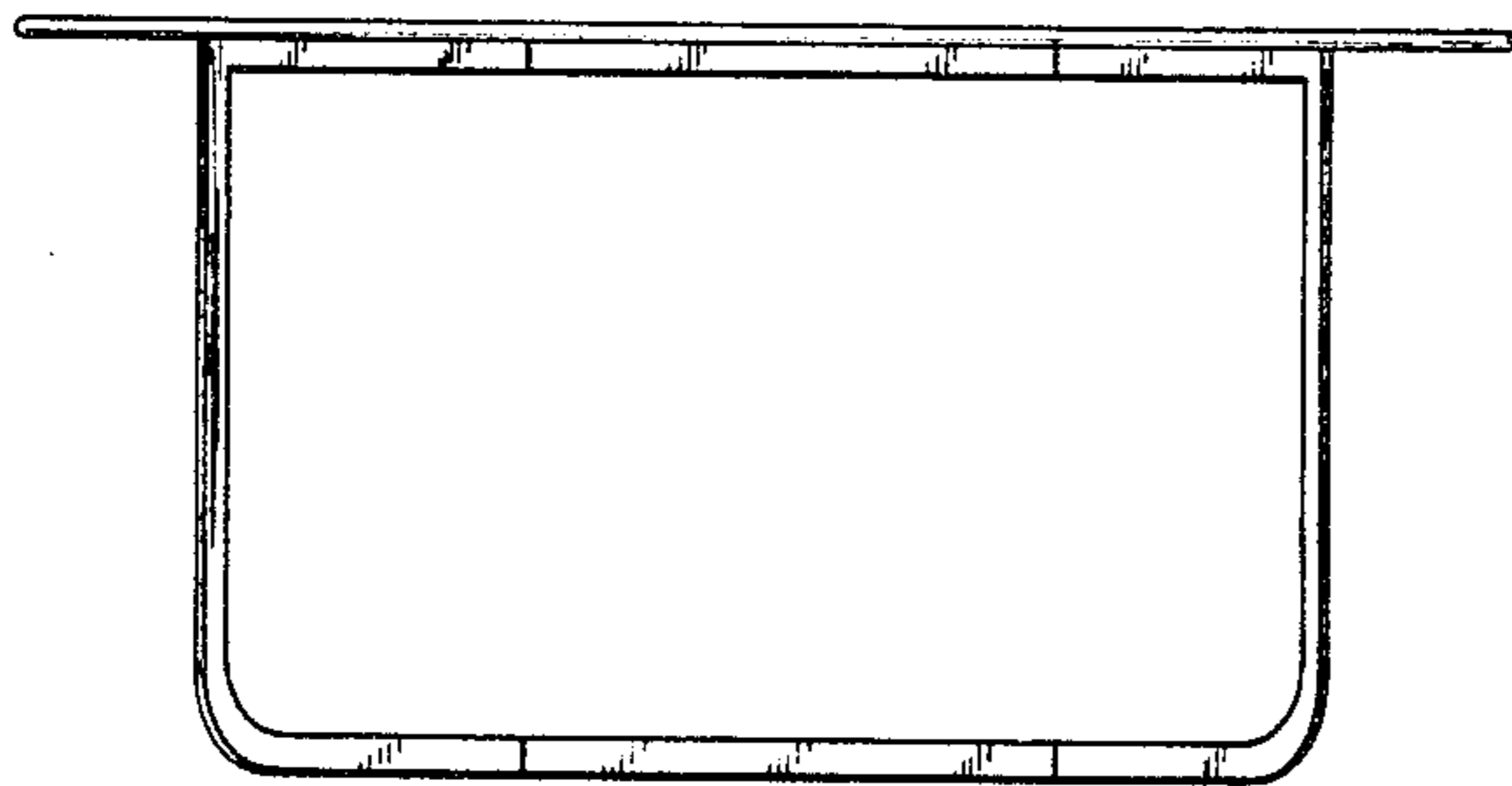




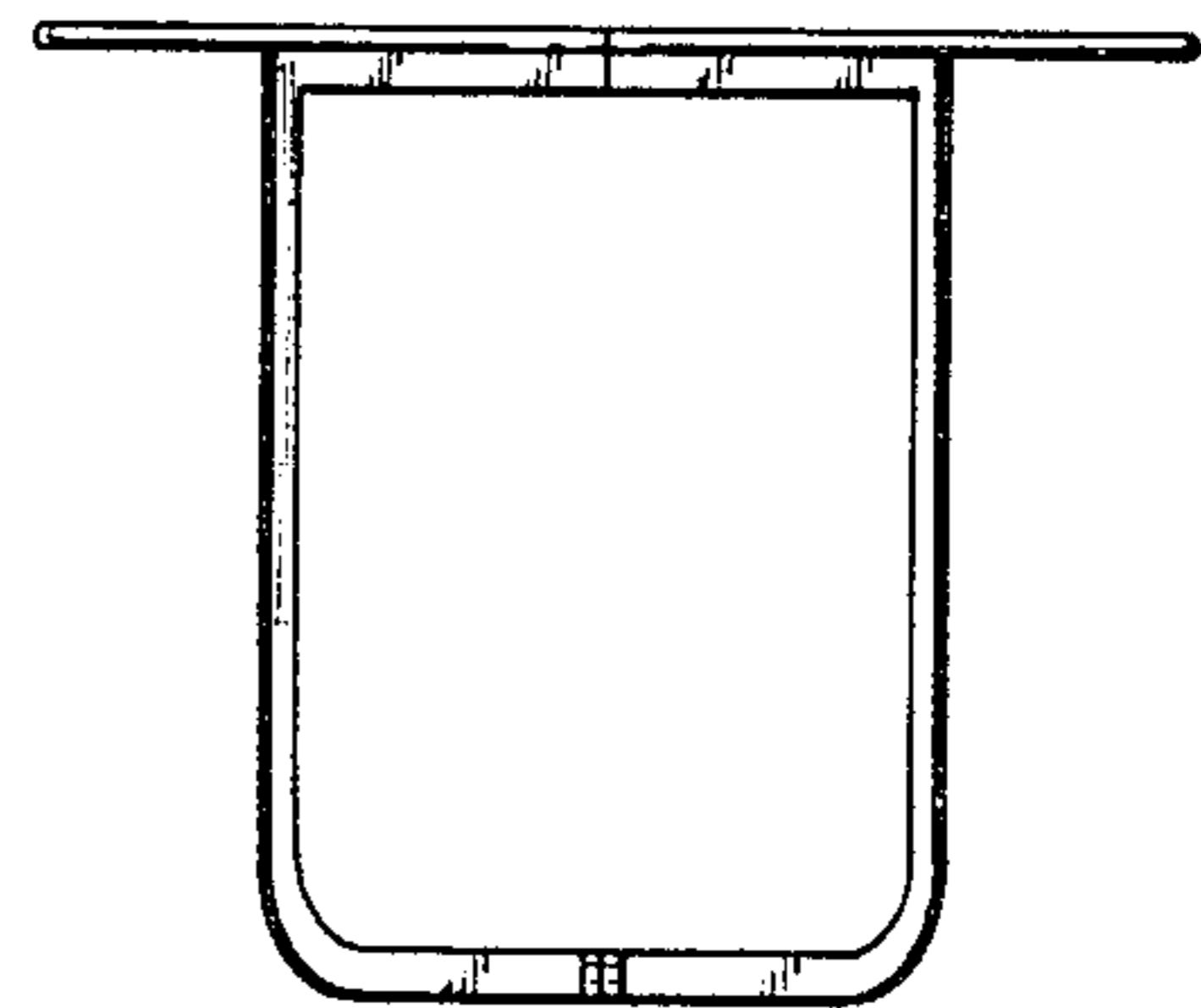
**FIG. 1**



**FIG. 2**



**FIG. 3**



**FIG. 4**