

United States Patent [19]

Koguma

[11] Patent Number: **Des. 281,746**

[45] Date of Patent: **** Dec. 17, 1985**

[54] **DESK**

[75] Inventor: **Seiji Koguma, Itabashi, Japan**

[73] Assignee: **Okamura Corporation, Yokohama, Japan**

[*] Notice: The portion of the term of this patent subsequent to Apr. 30, 1999 has been disclaimed.

[**] Term: **14 Years**

[21] Appl. No.: **463,392**

[22] Filed: **Feb. 3, 1983**

[52] U.S. Cl. **D6/426; D6/422**

[58] Field of Search **D6/421-432, D6/480, 484; 434/432; D14/103; 312/194, 195, 196**

[56] **References Cited**

U.S. PATENT DOCUMENTS

D. 161,361 12/1950 Moore D6/426
D. 233,971 12/1974 Hodges et al. D6/480 X
D. 270,217 8/1983 Daventry D6/480

OTHER PUBLICATIONS

Scandiline, p. 56; Conference Desk, top two views on page.

Interiors, Jan. 1981, p. 51; Desk on page.

Primary Examiner—Carmen H. Vales

Attorney, Agent, or Firm—Poms, Smith, Lande & Rose

[57] **CLAIM**

The ornamental design for a desk, substantially as shown.

DESCRIPTION

FIG. 1 is a front perspective view of a desk showing my new design; and

FIG. 2 is a rear perspective view thereof.

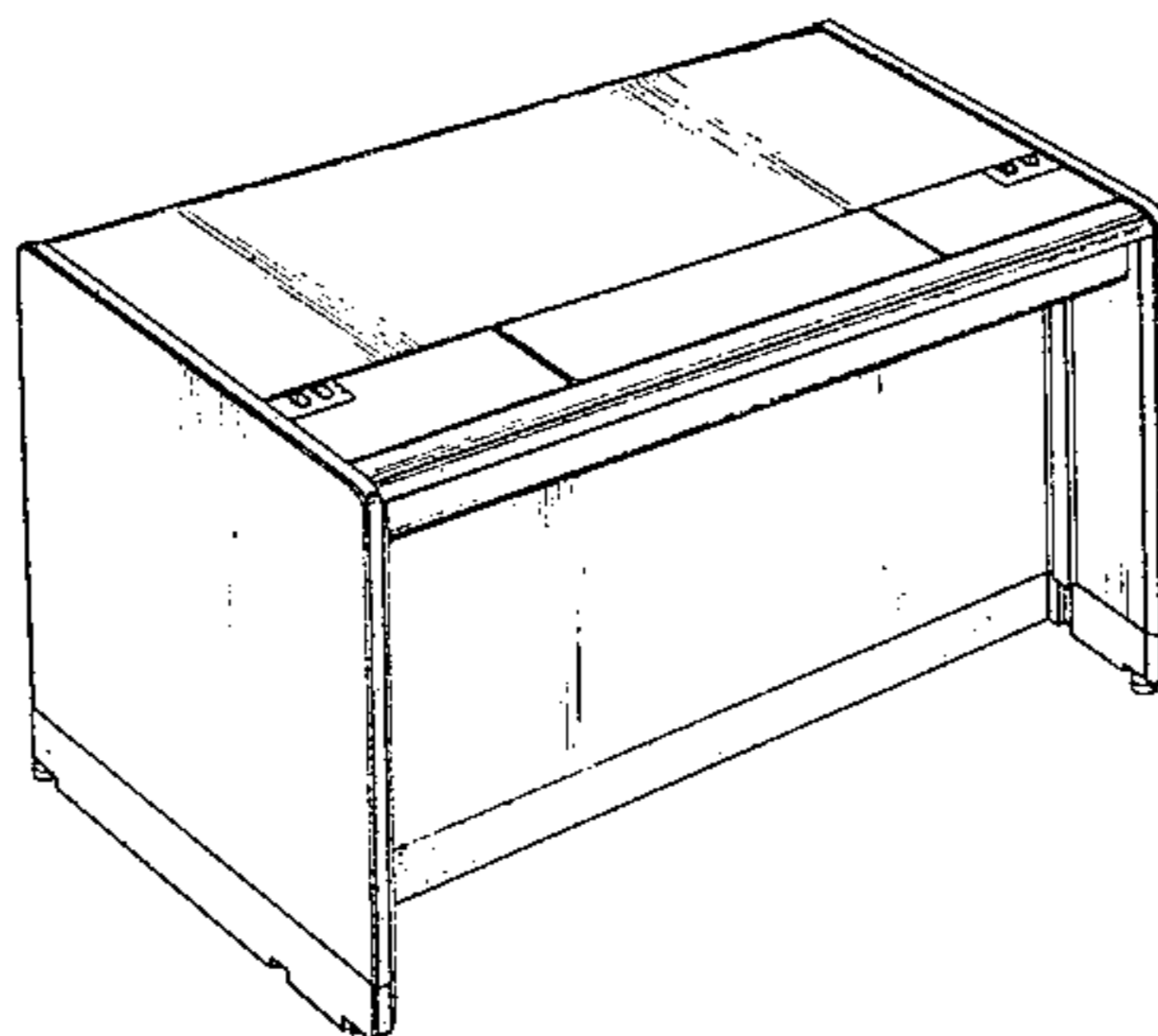
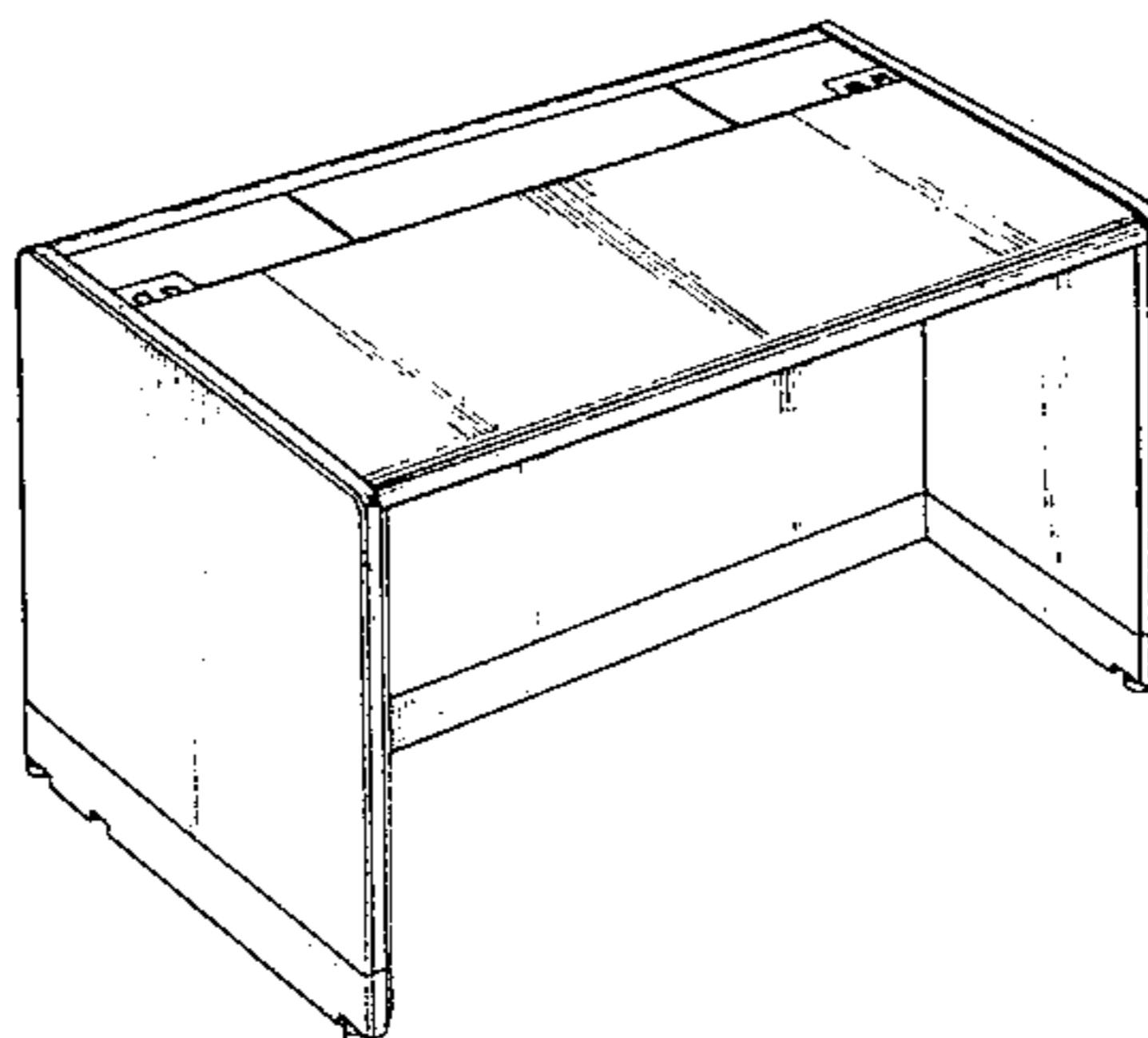


FIG. 1

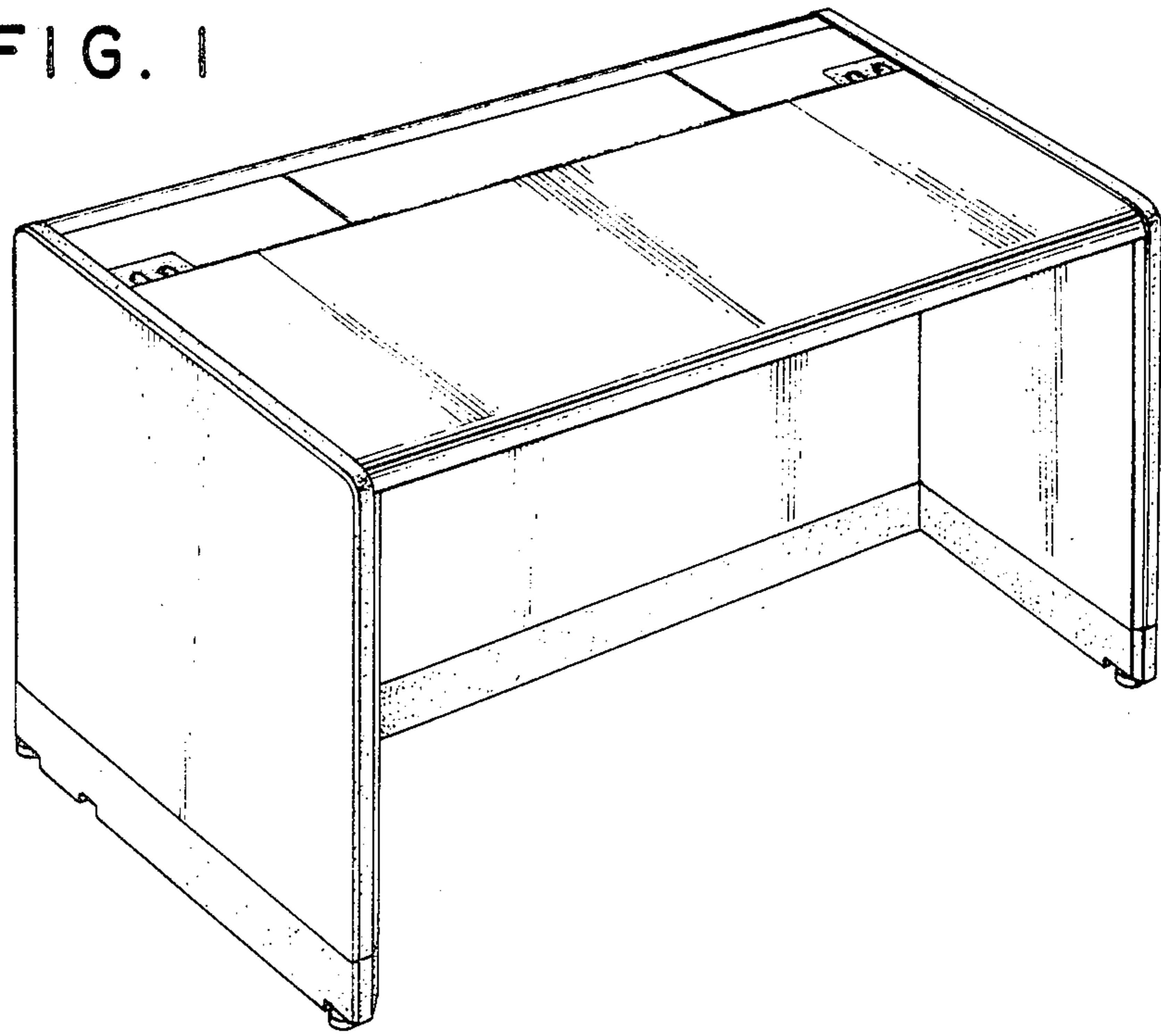


FIG. 2

