

United States Patent [19]

Pandorf et al.

[11] Patent Number: **Des. 281,745**

[45] Date of Patent: **** Dec. 17, 1985**

[54] **CRIB**

[76] Inventors: **Wayne Pandorf**, 7 Baywood Dr.,
Ormond Beach, Fla. 32074; **Warren
Pandorf**, 6131 NW. 30th Ter.,
Gainesville, Fla. 32601

[**] Term: **14 Years**

[21] Appl. No.: **504,408**

[22] Filed: **Jun. 15, 1983**

[52] U.S. Cl. **D6/390; D6/331**

[58] Field of Search **D6/331, 390, 391;**
5/93 R, 97, 98 R, 99 C

[56]

References Cited

U.S. PATENT DOCUMENTS

D. 158,030 4/1950 Wagner D6/391
D. 186,358 10/1959 Fulton D6/331

D. 229,386 11/1973 Juhlin D6/300
D. 244,890 7/1977 Adams D6/331
D. 257,299 10/1980 Cone D6/331

Primary Examiner—Bruce W. Dunkins

[57] CLAIM

The ornamental design for a crib, as shown and described.

DESCRIPTION

FIG. 1 is a perspective view of a crib showing our new design;

FIG. 2 is a top plan view thereof;

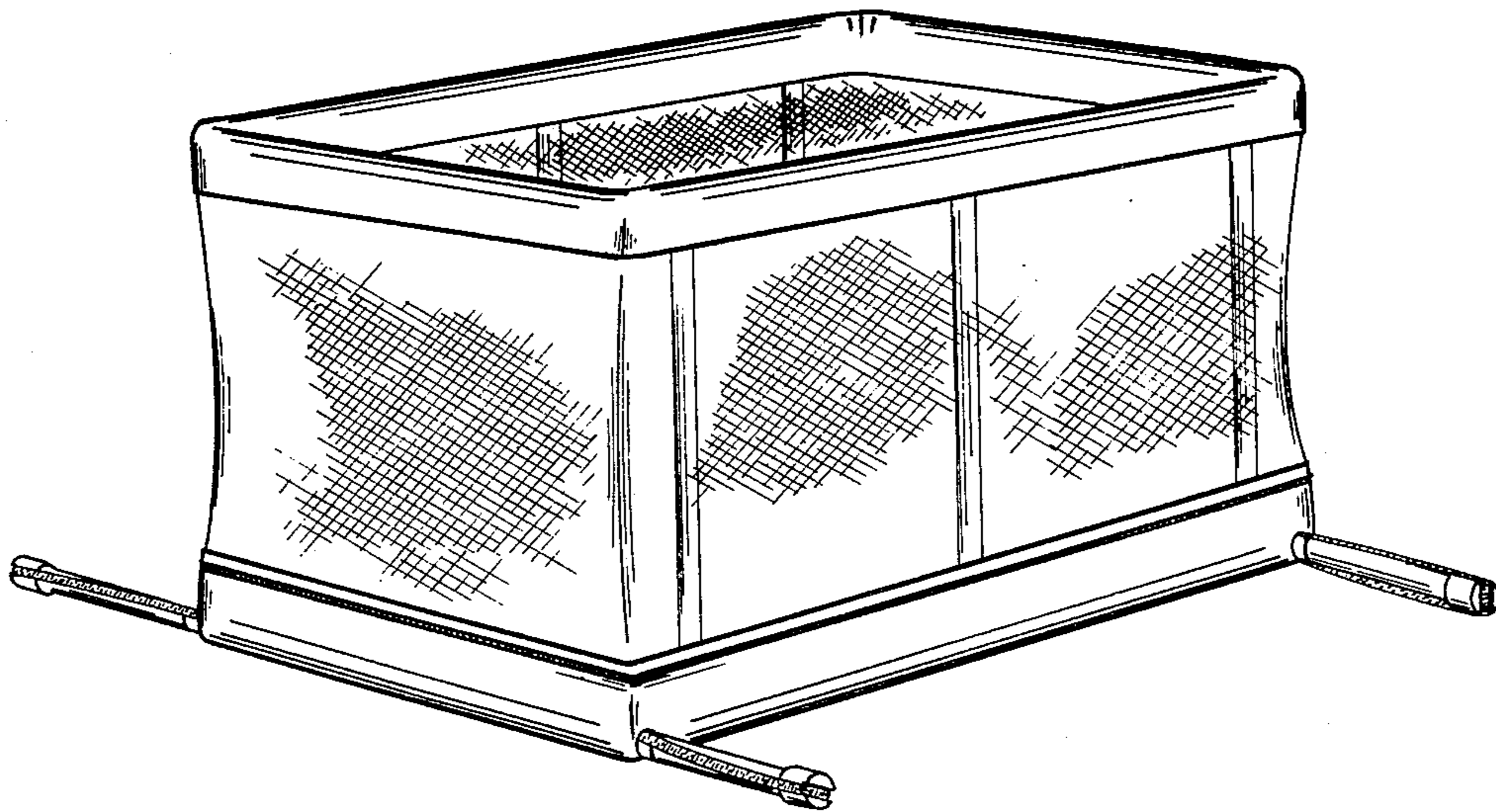
FIG. 3 is a view of a longside thereof;

FIG. 4 is a bottom view thereof;

FIG. 5 is a view of a shortside thereof; and

FIG. 6 is a perspective view with removable top shown.

The side and end of the crib not shown are like the respective side and end shown.



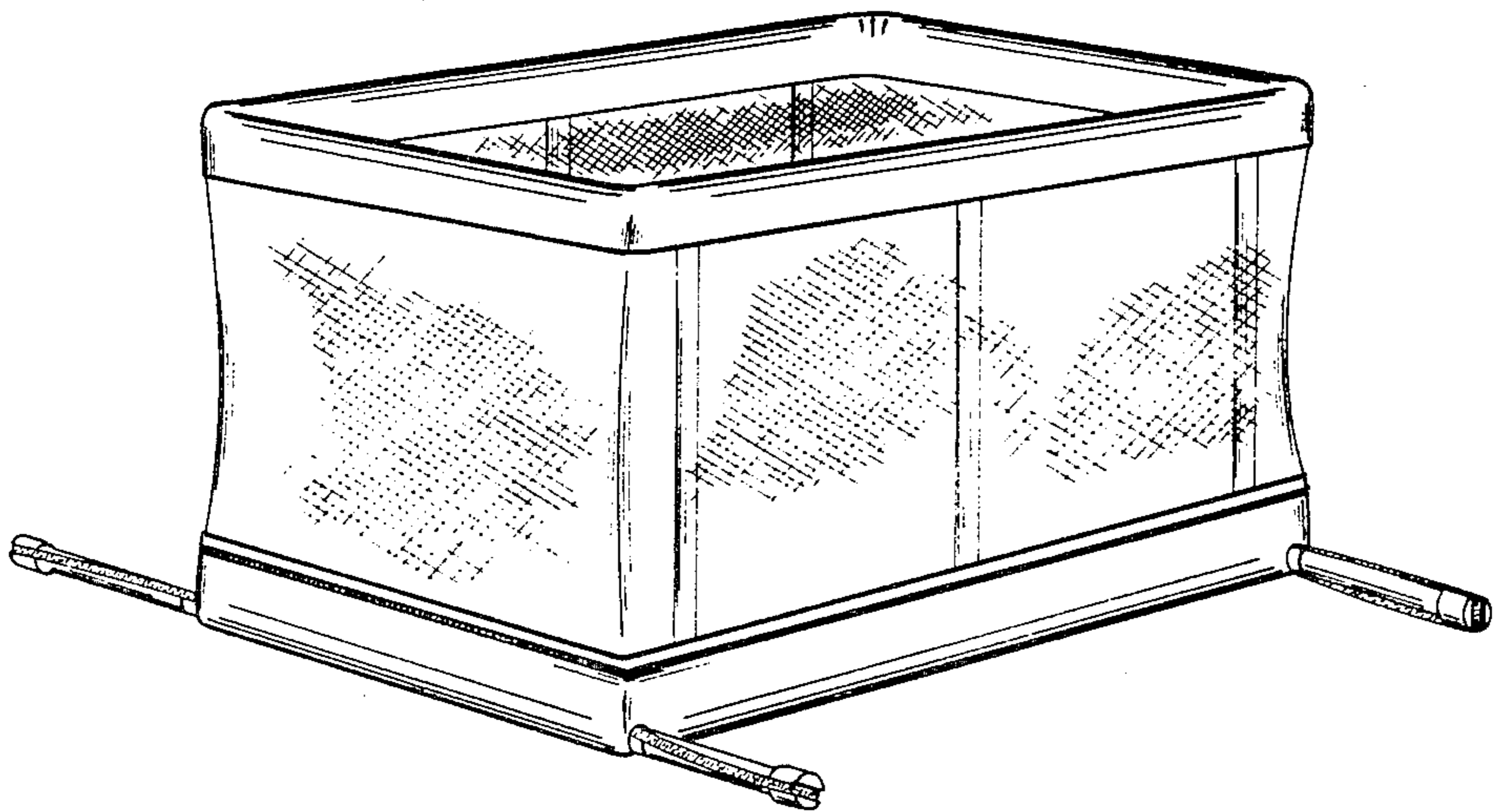


FIGURE 1

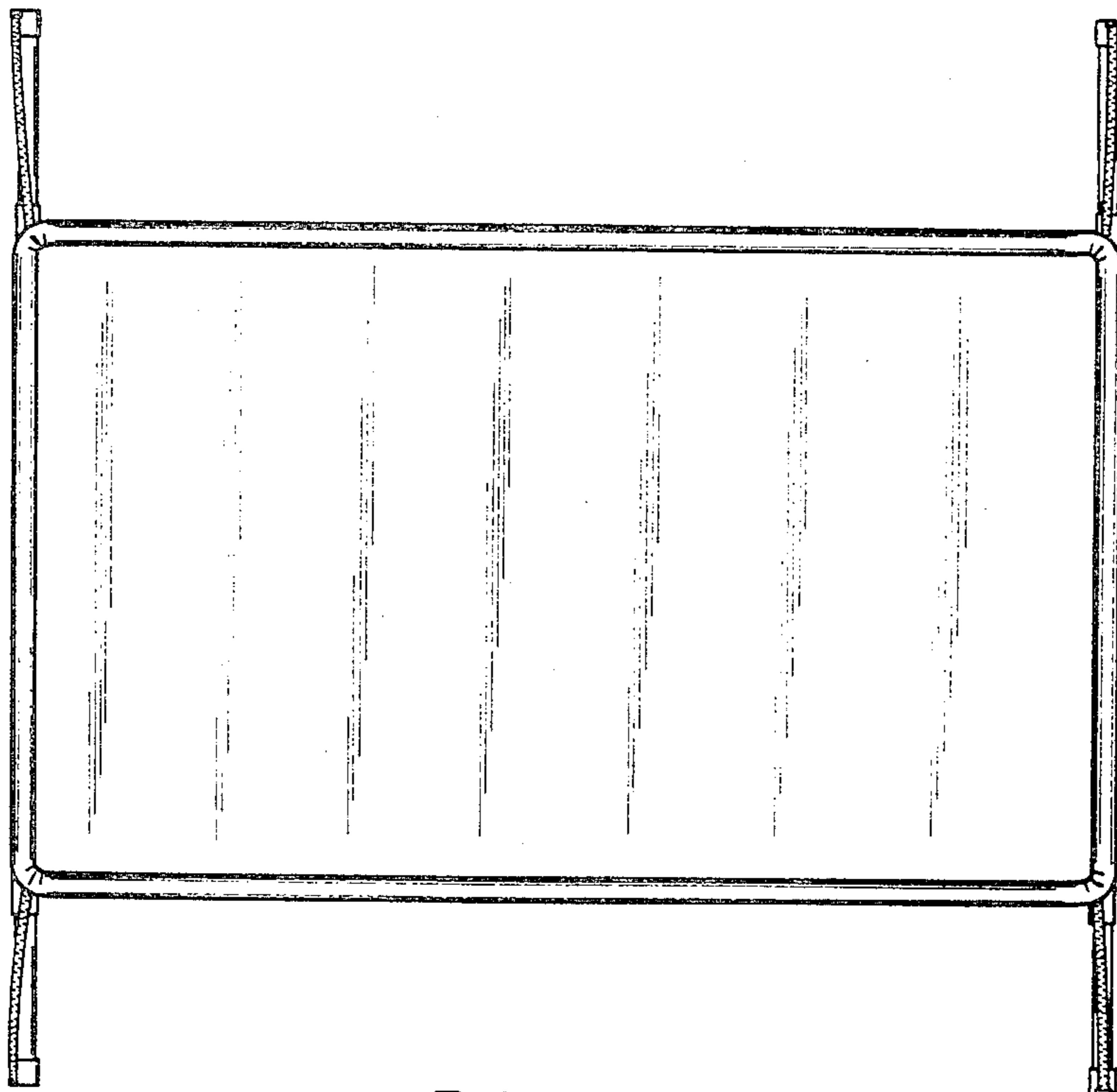


FIGURE 2

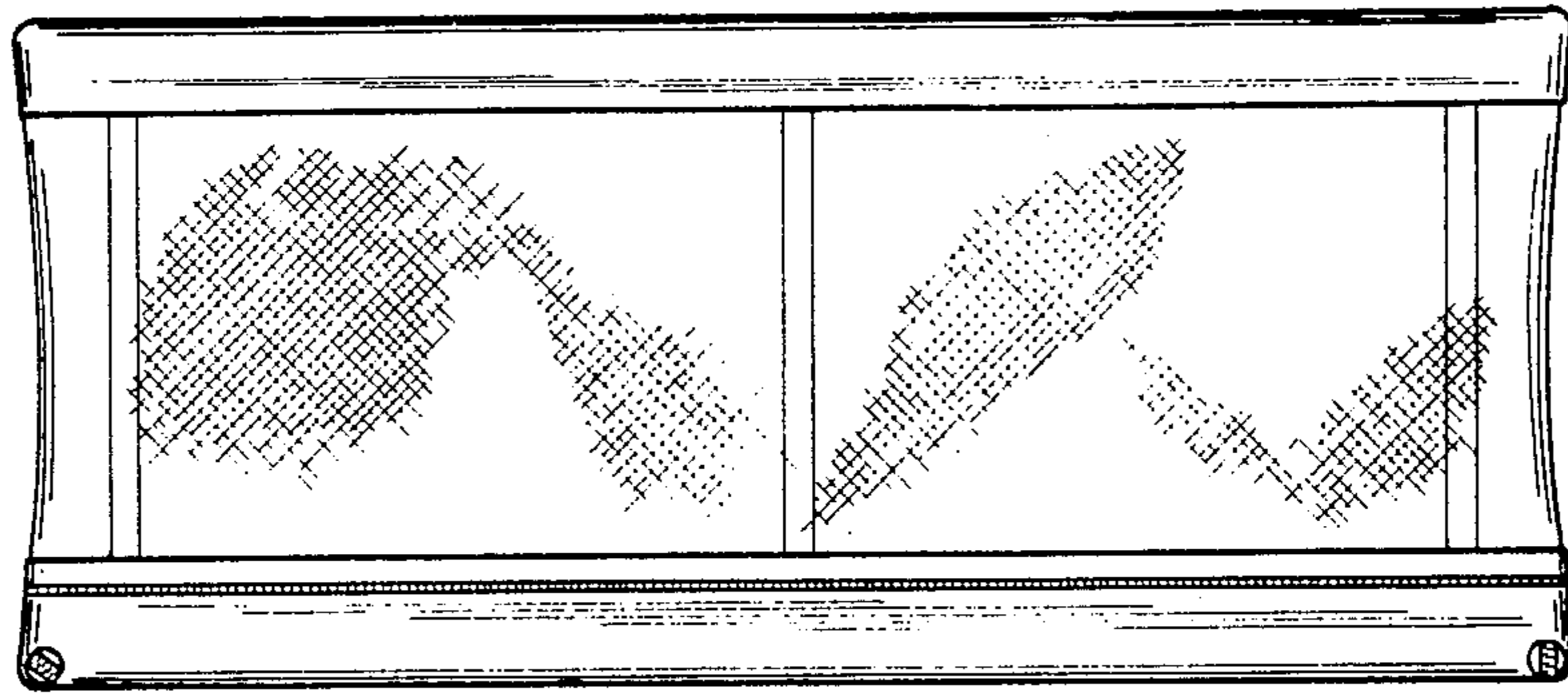


FIGURE 3

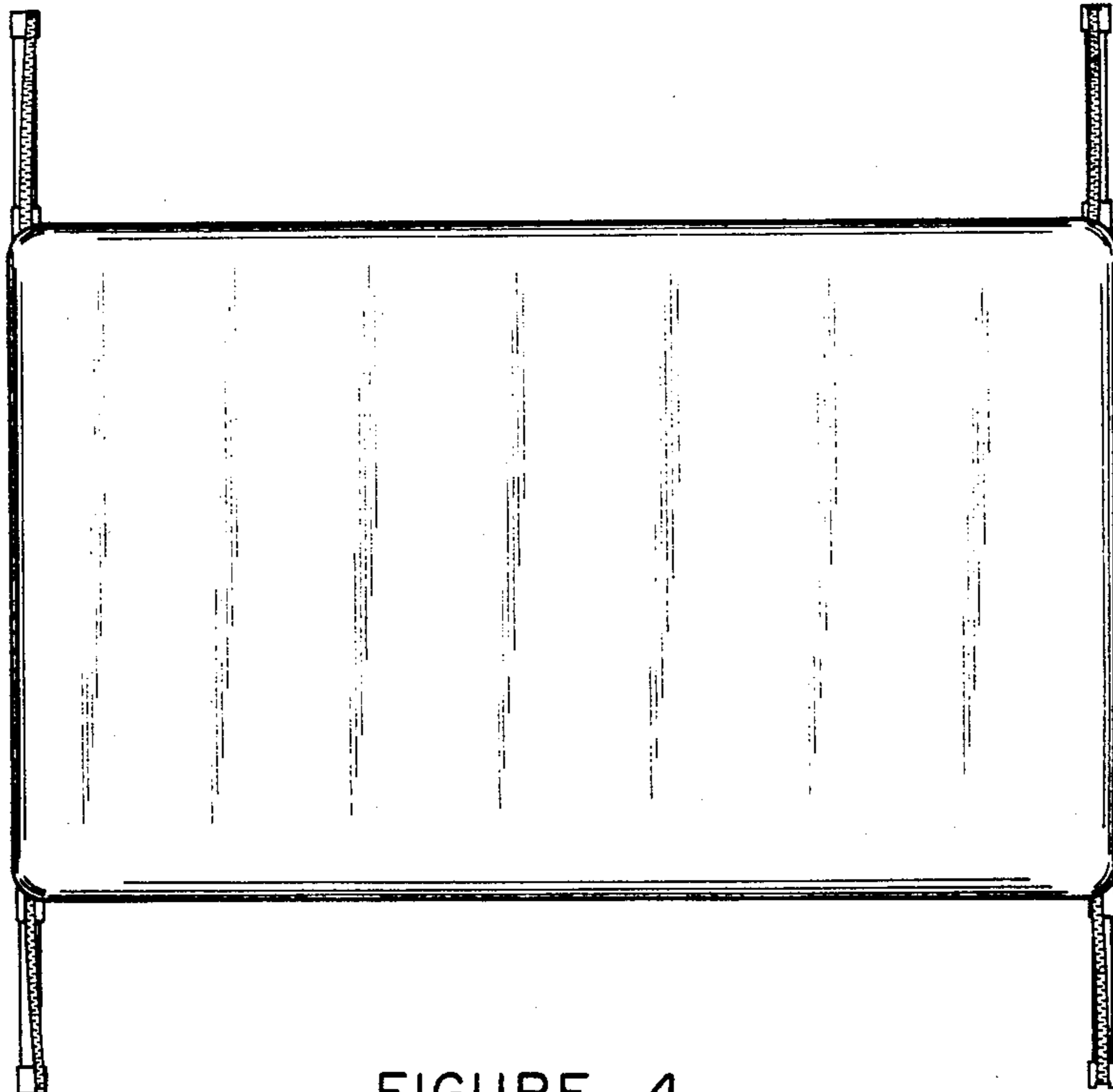


FIGURE 4

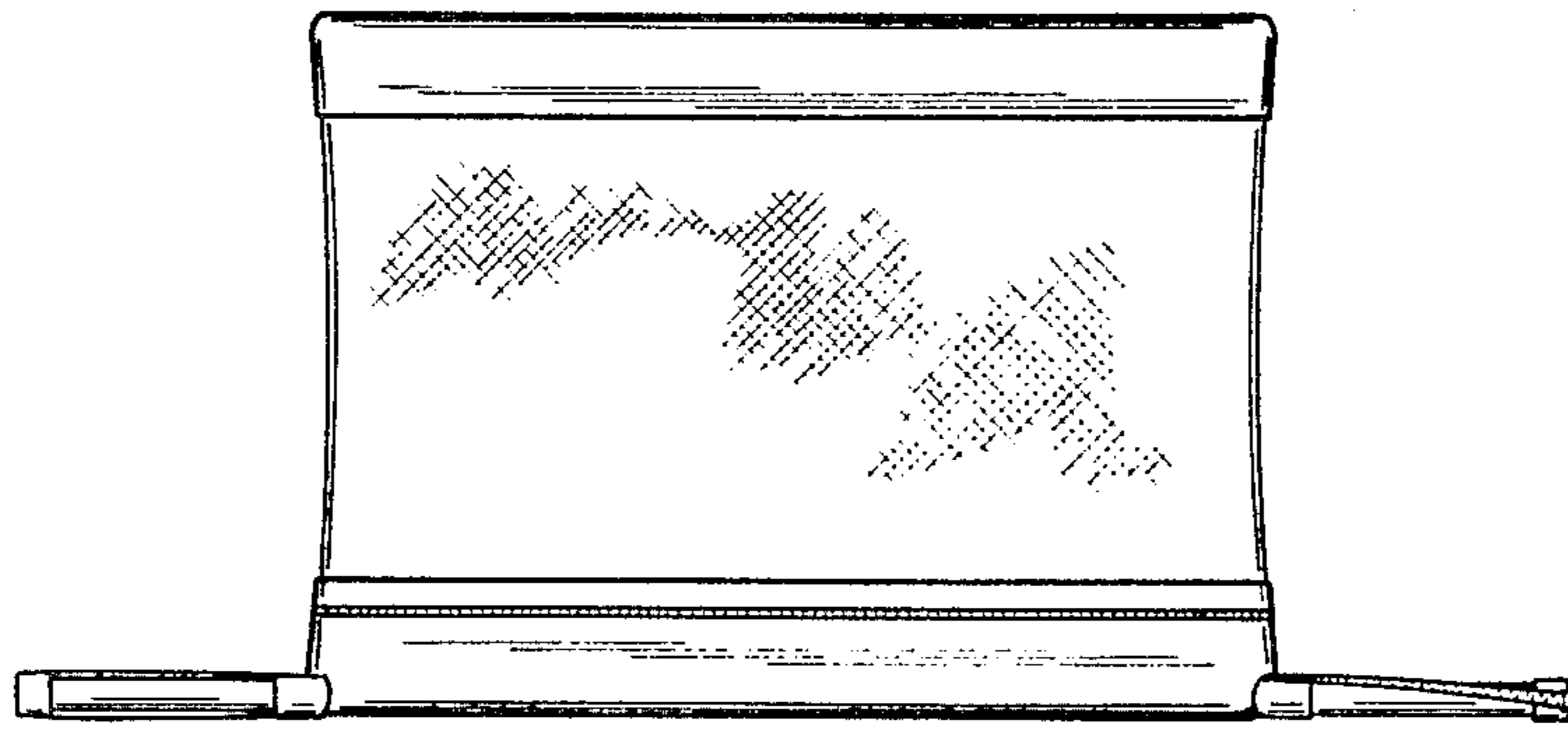


FIGURE 5

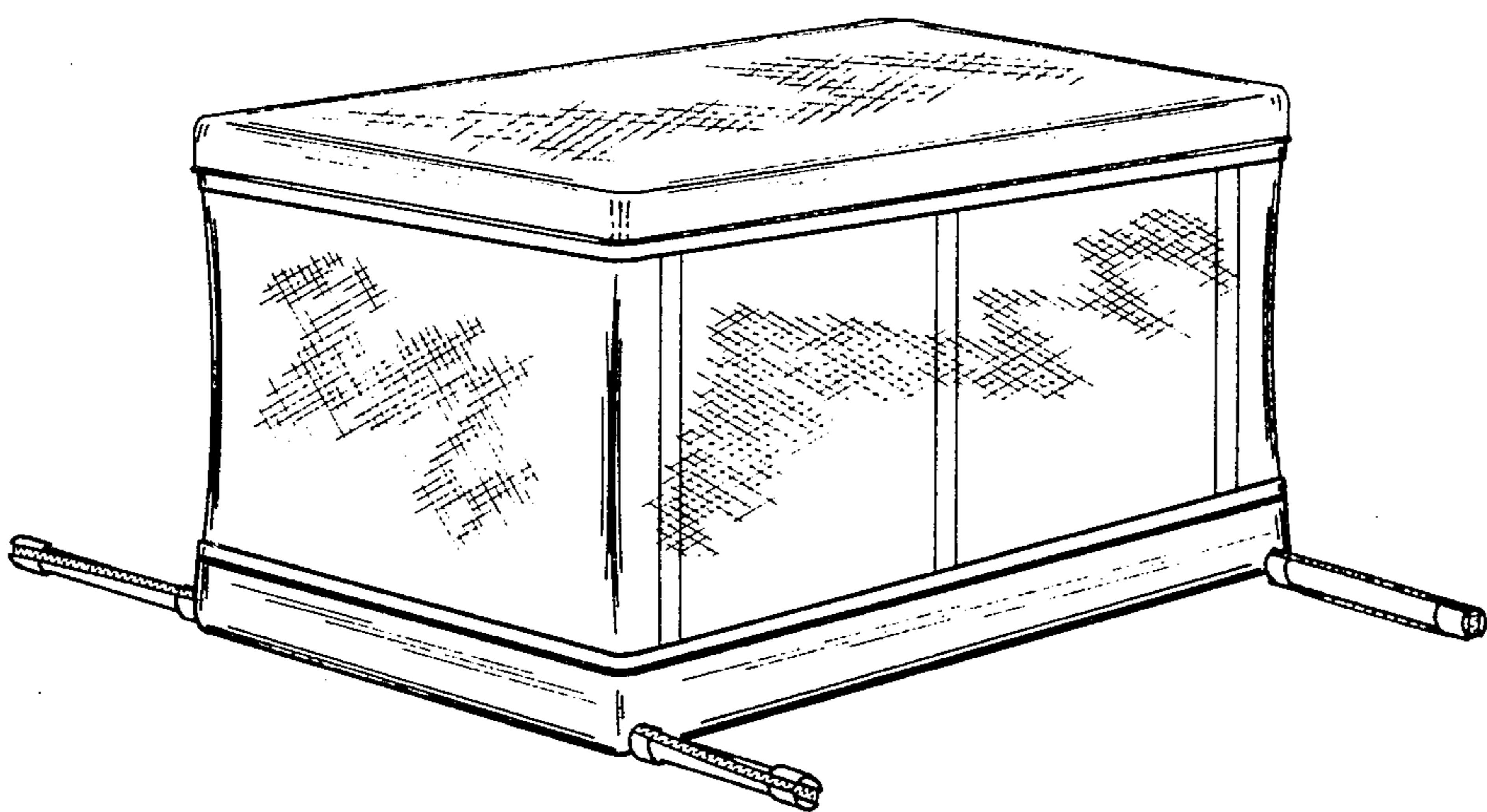


FIGURE 6