

[54] OCTAGONAL COSMETIC CASE WITH A DRAWER

[76] Inventor: Oanh P. Phu, Hohenzollernstrabe 97, D-8000 Munchen 40, Fed. Rep. of Germany

[\*\*] Term: 14 Years

[21] Appl. No.: 513,105

[22] Filed: Jul. 12, 1983

[30] Foreign Application Priority Data

Jan. 12, 1983 [DE] Fed. Rep. of Germany ..... 11 AR 126/83

[52] U.S. Cl. .... D28/78

[58] Field of Search ..... D28/4-7, D28/73-84, 99; D3/39; D9/337, 338, 341, 420, 423; 132/79 R, 79 A, 79 C, 79 D, 79 F, 79 G, 82 R, 82 A, 82 C, 82 D, 82 F, 83 R, 83 C, 83 F; 220/DIG. 26, 337, 338; 206/235, 385, 581, 823

[56] References Cited

U.S. PATENT DOCUMENTS

D. 276,470	11/1984	Lo	.....	D28/78
1,498,475	6/1924	Mosheim	.....	132/83 R
1,773,624	8/1930	Kendall	.....	132/83 R
1,936,273	11/1933	Segal	.....	132/83 R

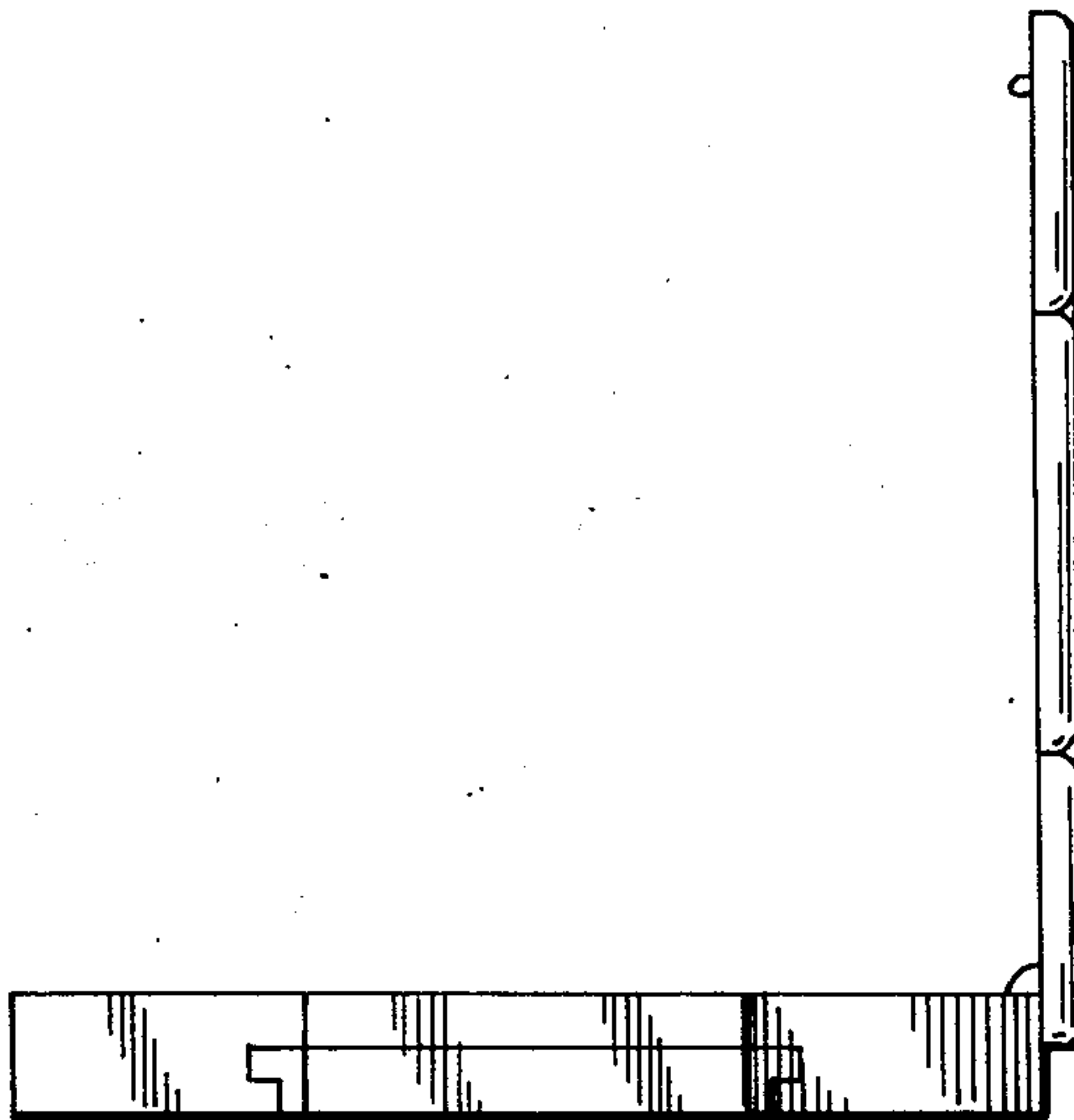
Primary Examiner—Louis S. Zarfes  
Attorney, Agent, or Firm—Kinney & Lange

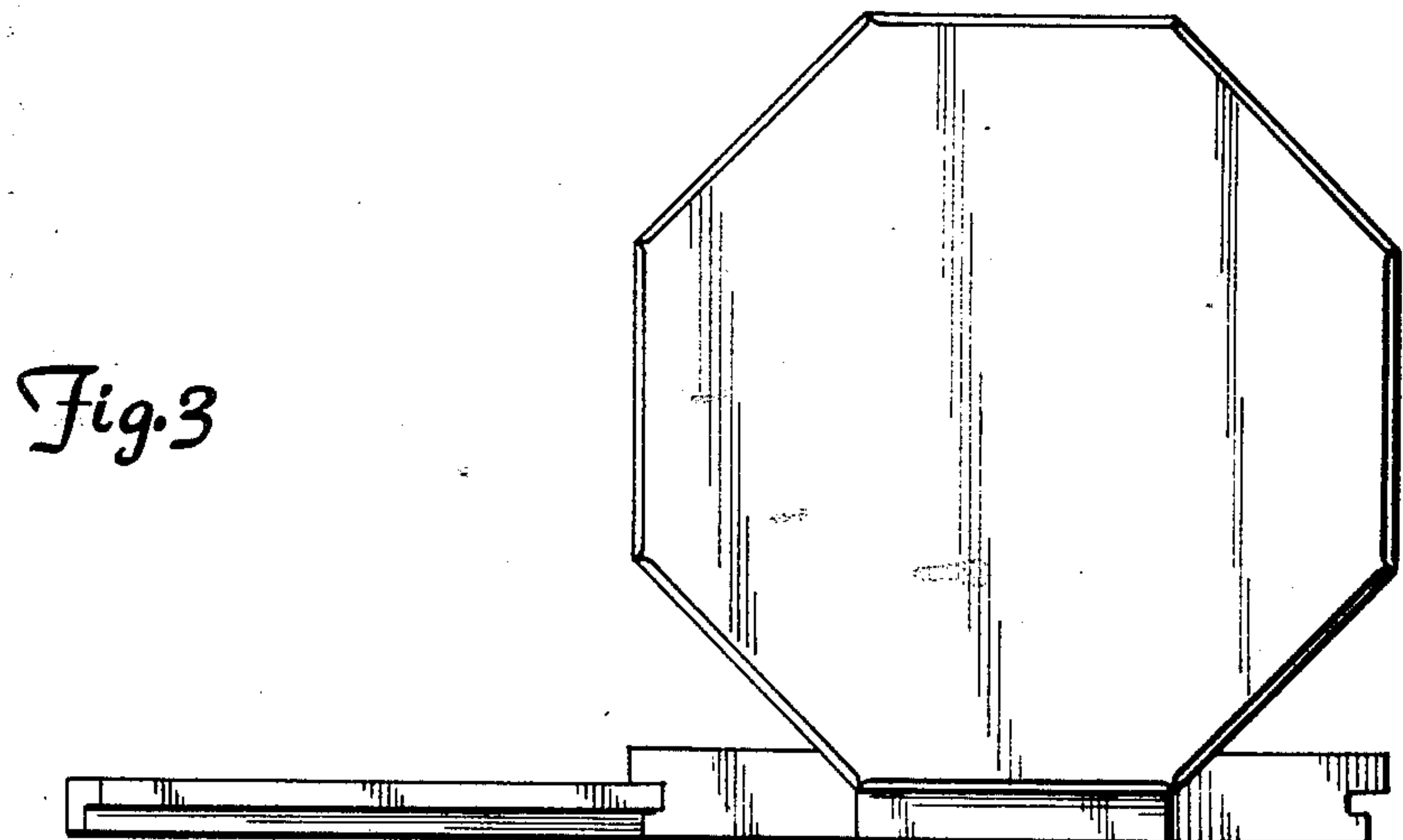
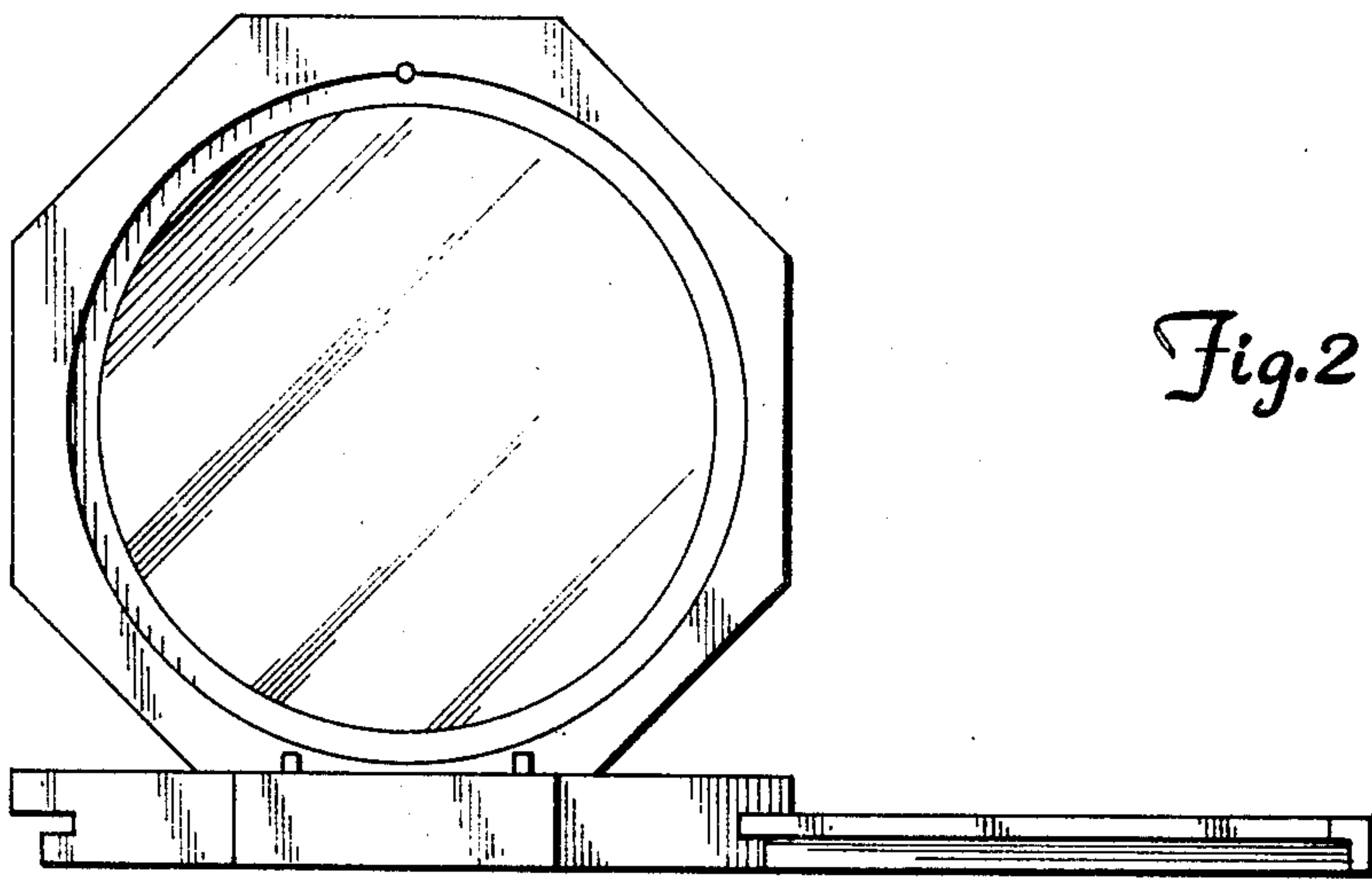
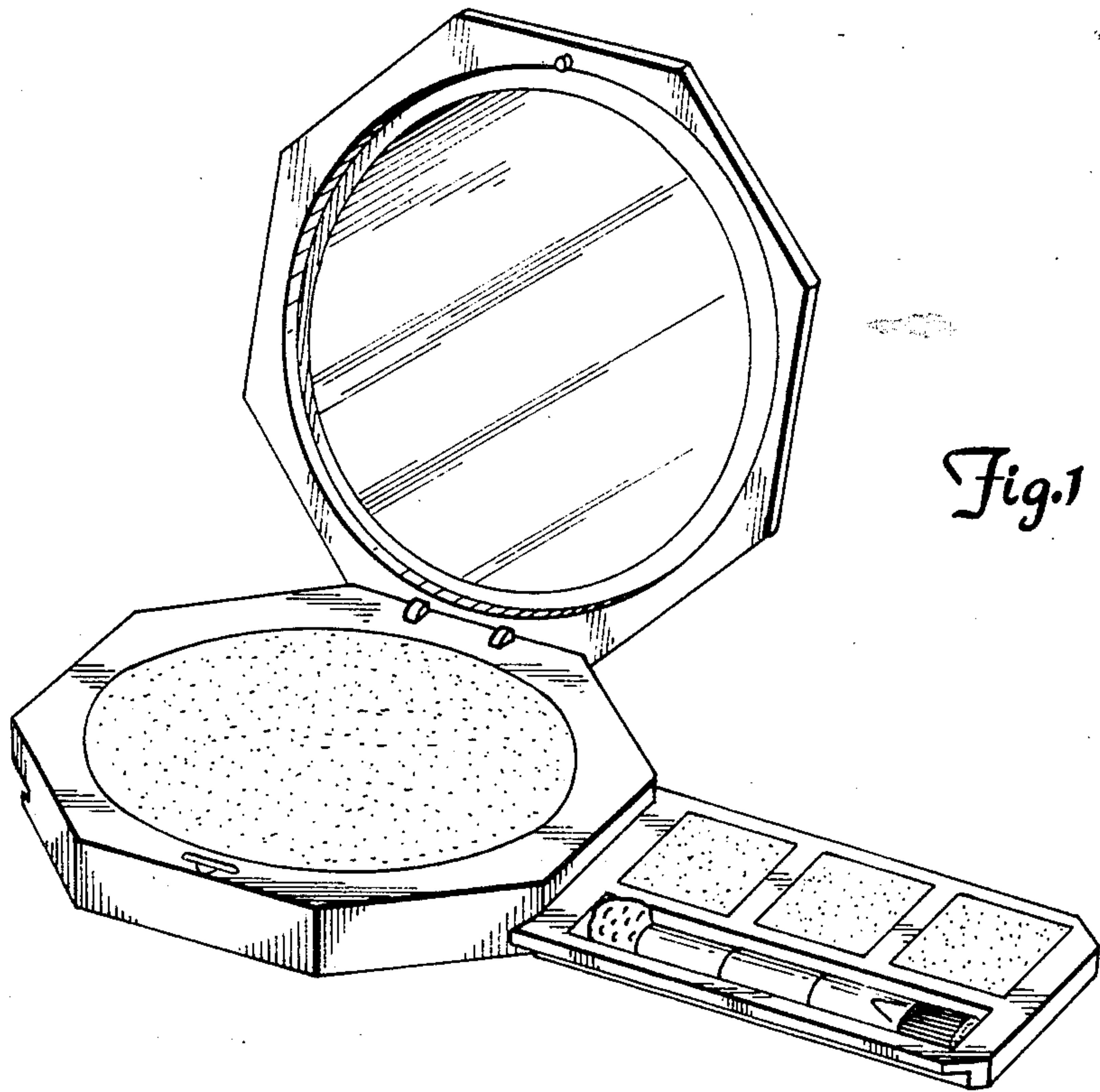
[57] CLAIM

The ornamental design for an octagonal cosmetic case with a drawer, substantially as shown.

DESCRIPTION

FIG. 1 is a perspective view of an octagonal cosmetic case with a drawer embodying my new design; FIG. 2 is a front elevational view thereof; FIG. 3 is a rear elevational view thereof; FIG. 4 is a top plan view thereof; FIG. 5 is a bottom plan view thereof; FIG. 6 is a side elevational view thereof; FIG. 7 is a side elevational view thereof viewed from the side opposite of FIG. 6; FIG. 8 is a top plan view thereof with the drawer retracted and a lid of the case closed; and FIG. 9 is a bottom plan view thereof with the drawer retracted and the lid of the case closed.





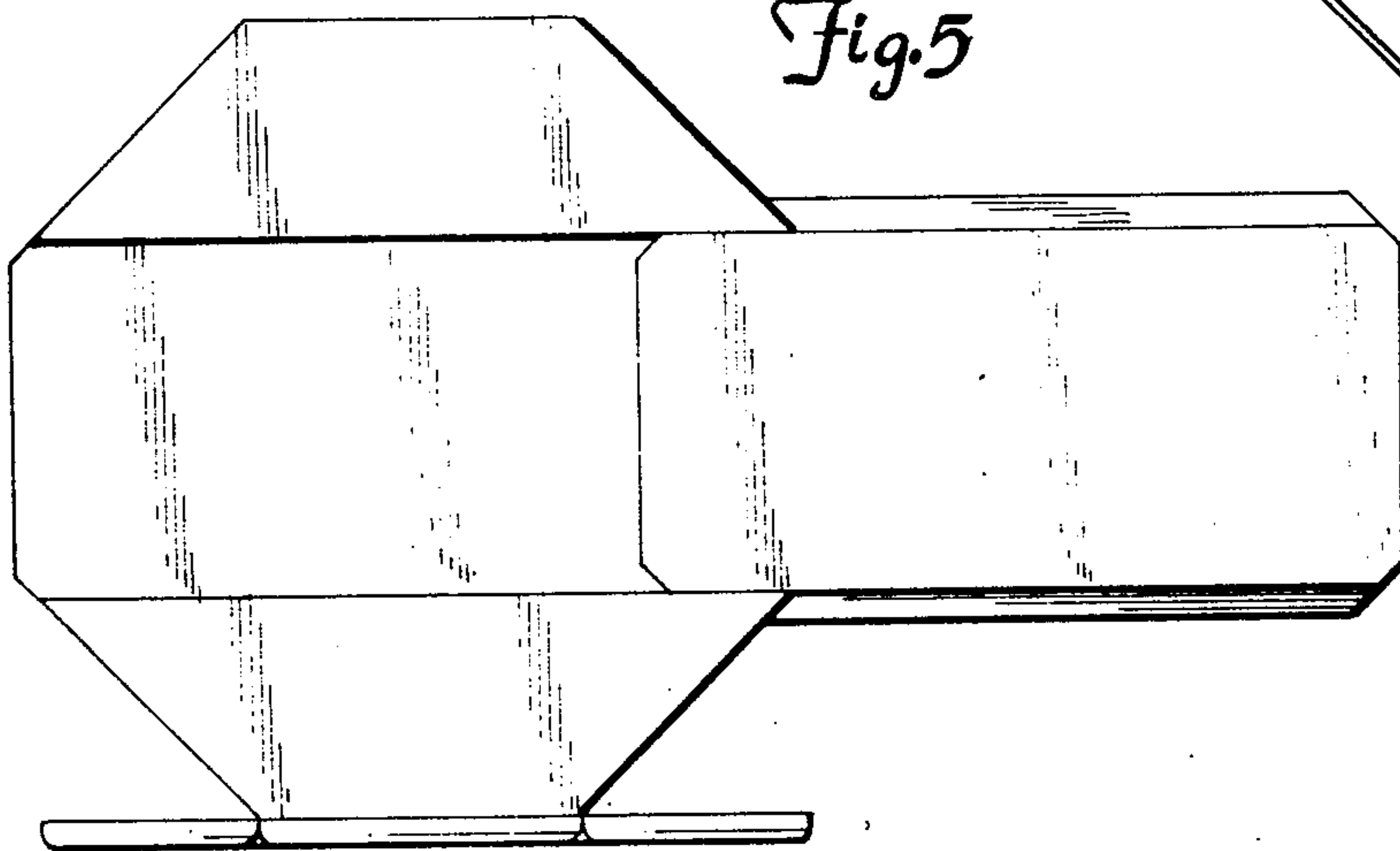
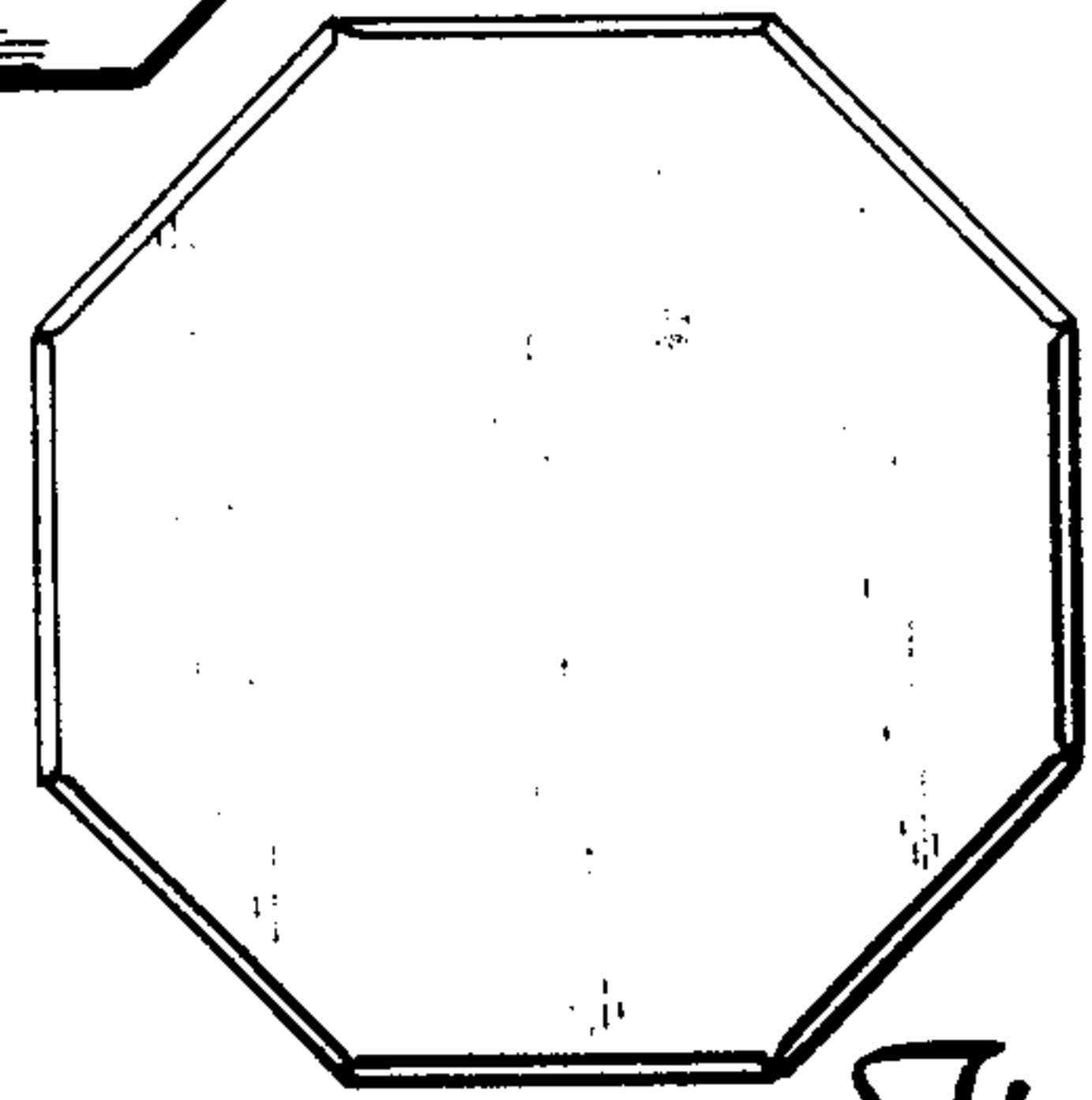
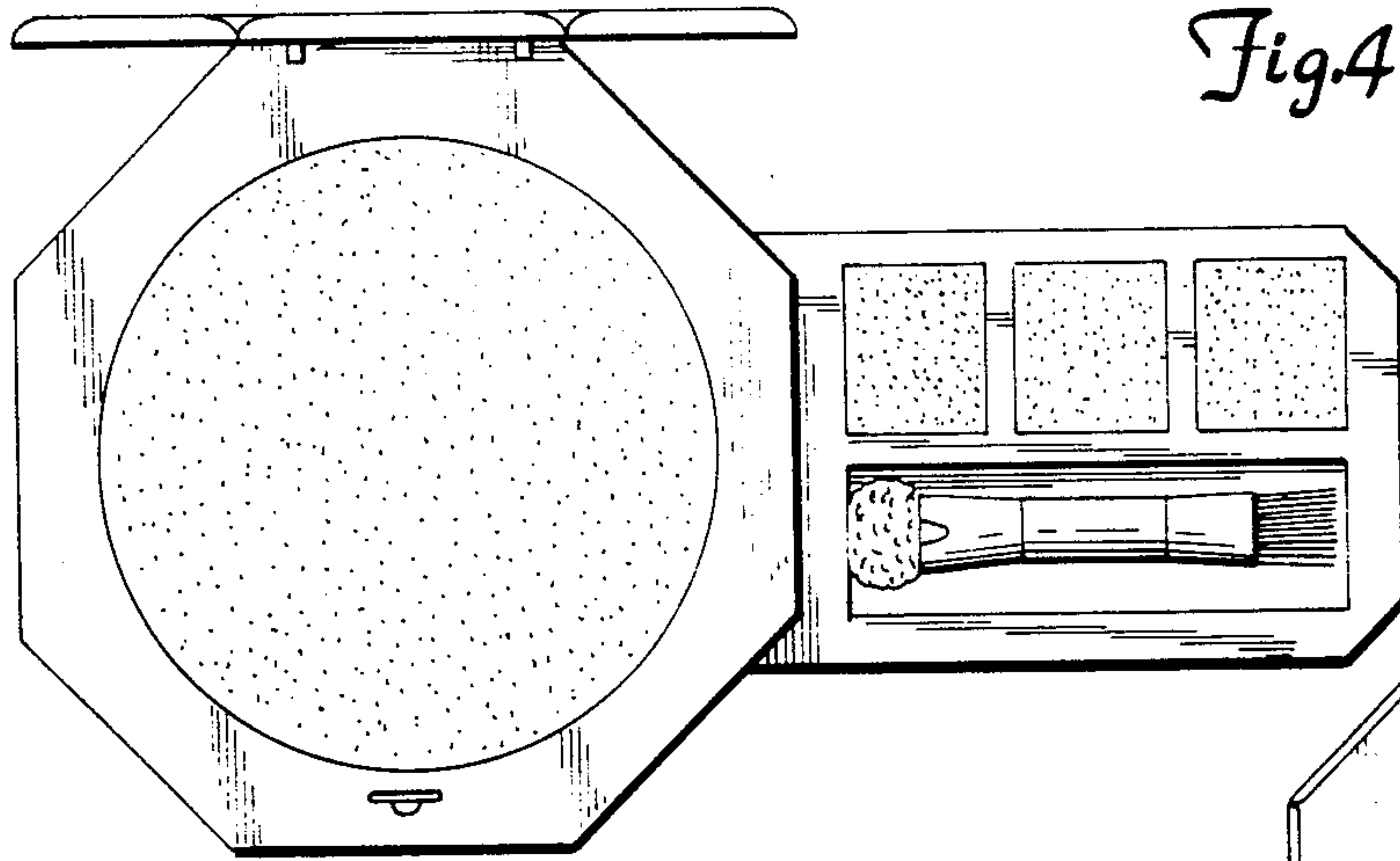


Fig. 8

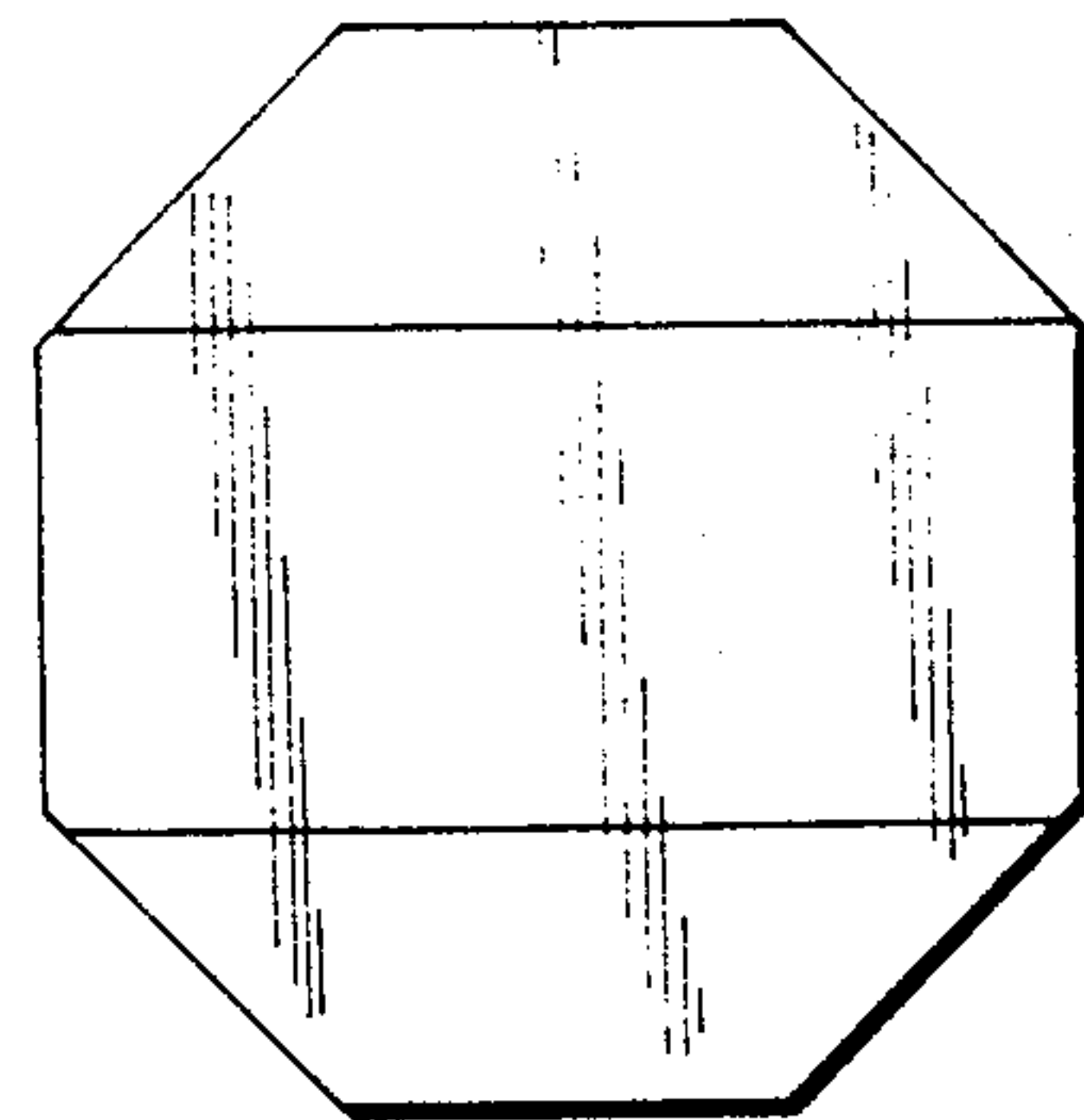
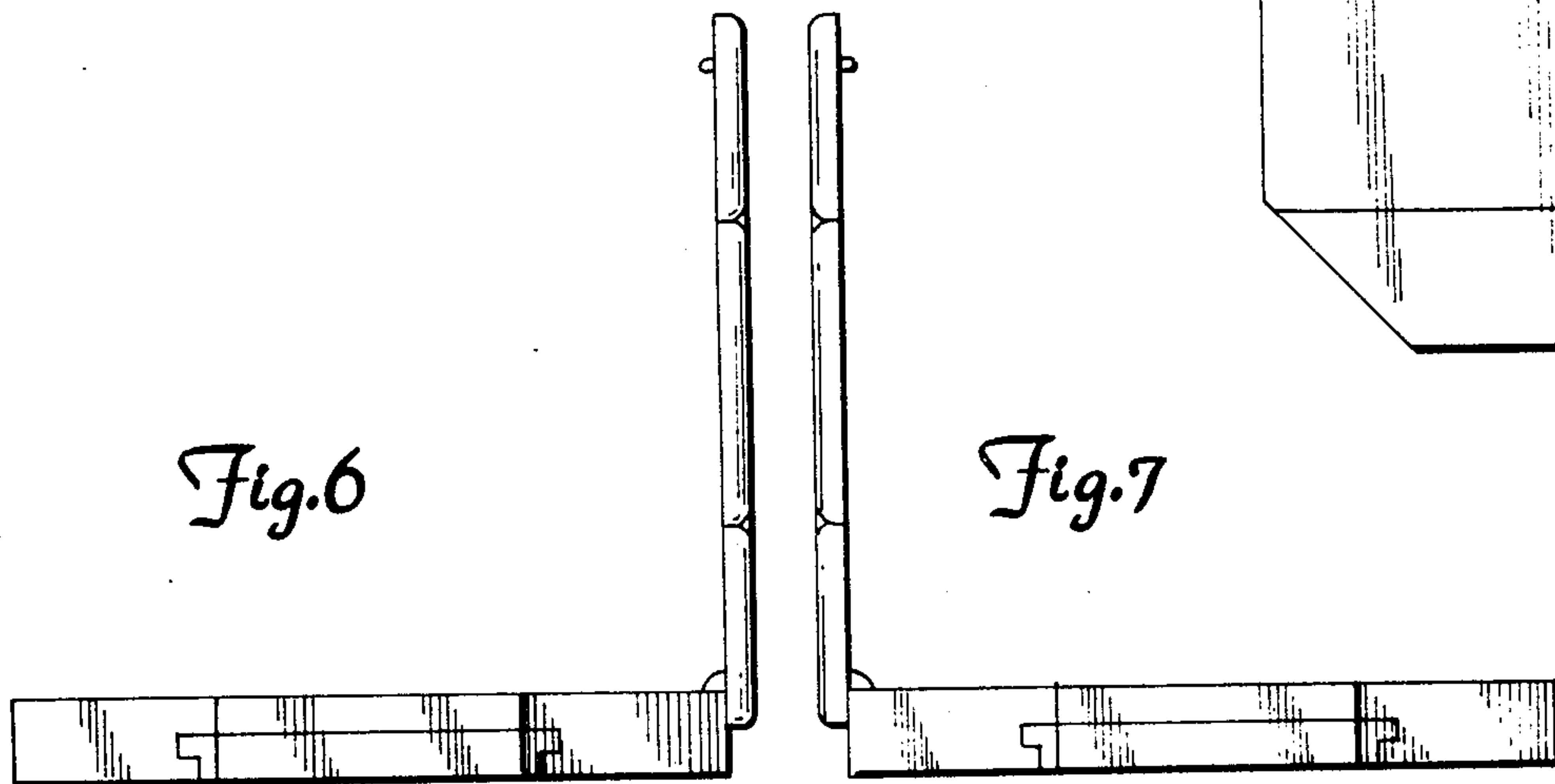


Fig. 9