

[54] NAIL BUFFER OR THE LIKE

4,049,010 9/1977 Mitchell et al. .... 132/88.5  
4,286,610 9/1981 Jones et al. .... 132/76.4  
4,343,910 8/1982 Busch, Jr. et al. .... D28/59 X

[75] Inventor: Rolf Mast, Chino, Calif.

[73] Assignee: Lee Pharmaceuticals, Inc., South El Monte, Calif.

Primary Examiner—Louis S. Zarfes  
Attorney, Agent, or Firm—Joseph E. Mueth

[\*\*] Term: 14 Years

[57] CLAIM

[21] Appl. No.: 576,758

The ornamental design for a nail buffer or the like, substantially as shown and described.

[22] Filed: Feb. 3, 1984

[52] U.S. Cl. .... D28/59

[58] Field of Search ..... D28/56-63,  
D28/99; D8/90; D24/36; 132/1 R, 73-76.5,  
88.5

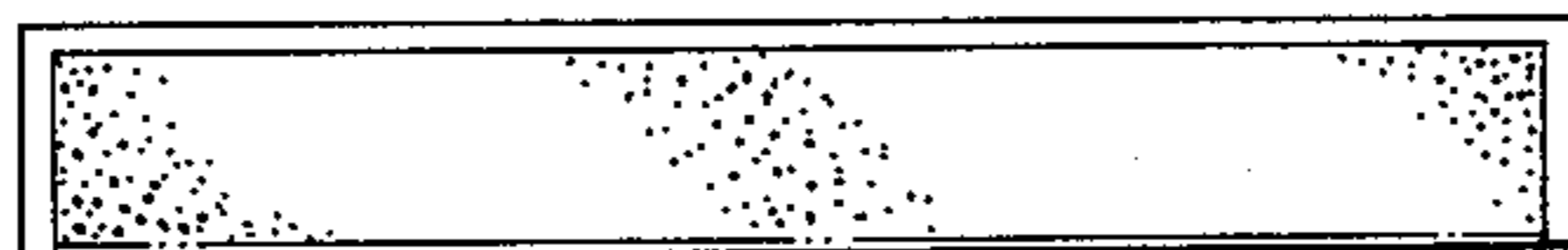
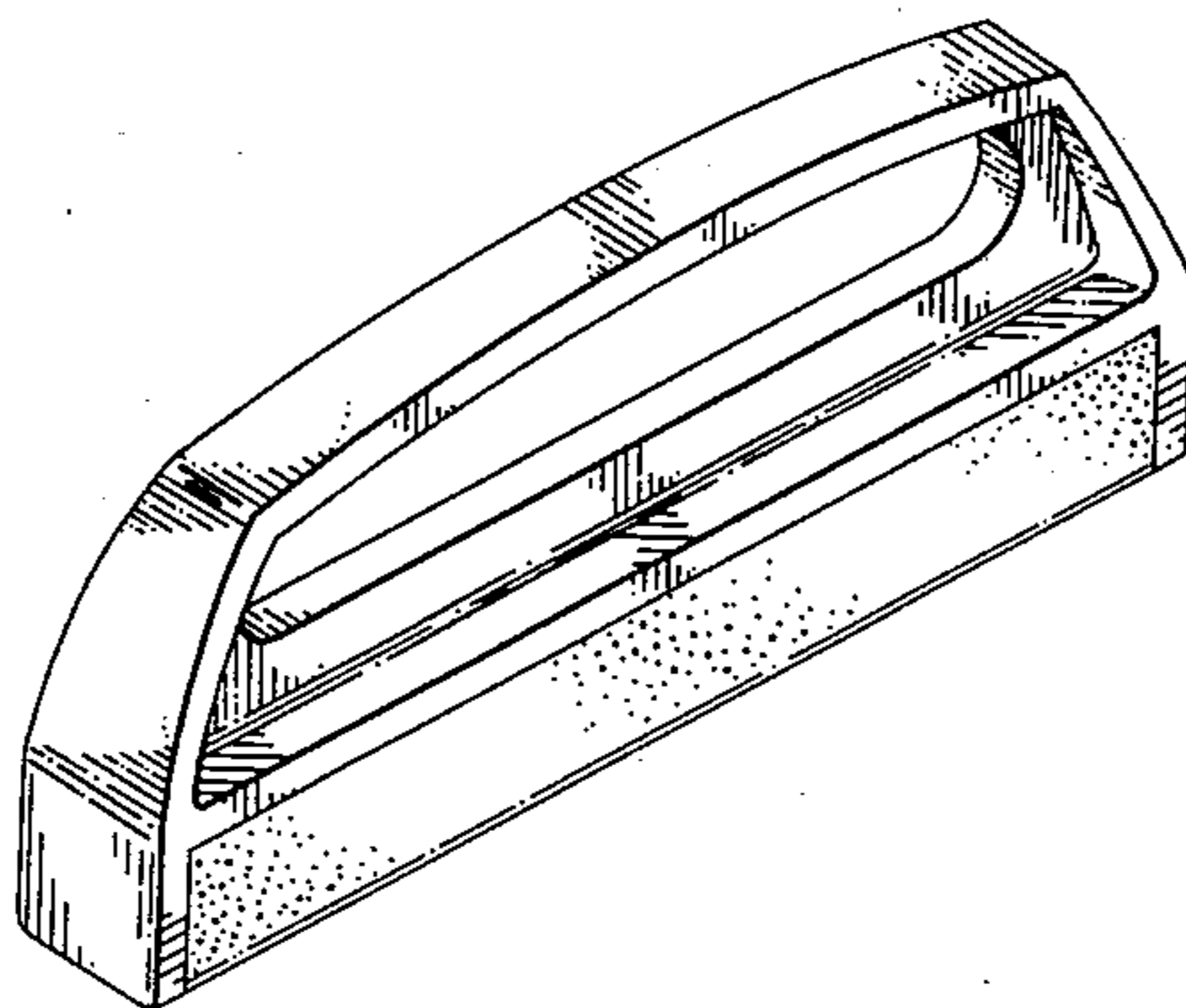
DESCRIPTION

FIG. 1 is a perspective view of a nail buffer or the like showing my new design;  
FIG. 2 is a front elevational view;  
FIG. 3 is a rear elevational view;  
FIG. 4 is an end elevational view;  
FIG. 5 is a bottom plan view; and  
FIG. 6 is a top plan view.

[56] References Cited

U.S. PATENT DOCUMENTS

D. 262,148 12/1981 Sussman ..... D28/59



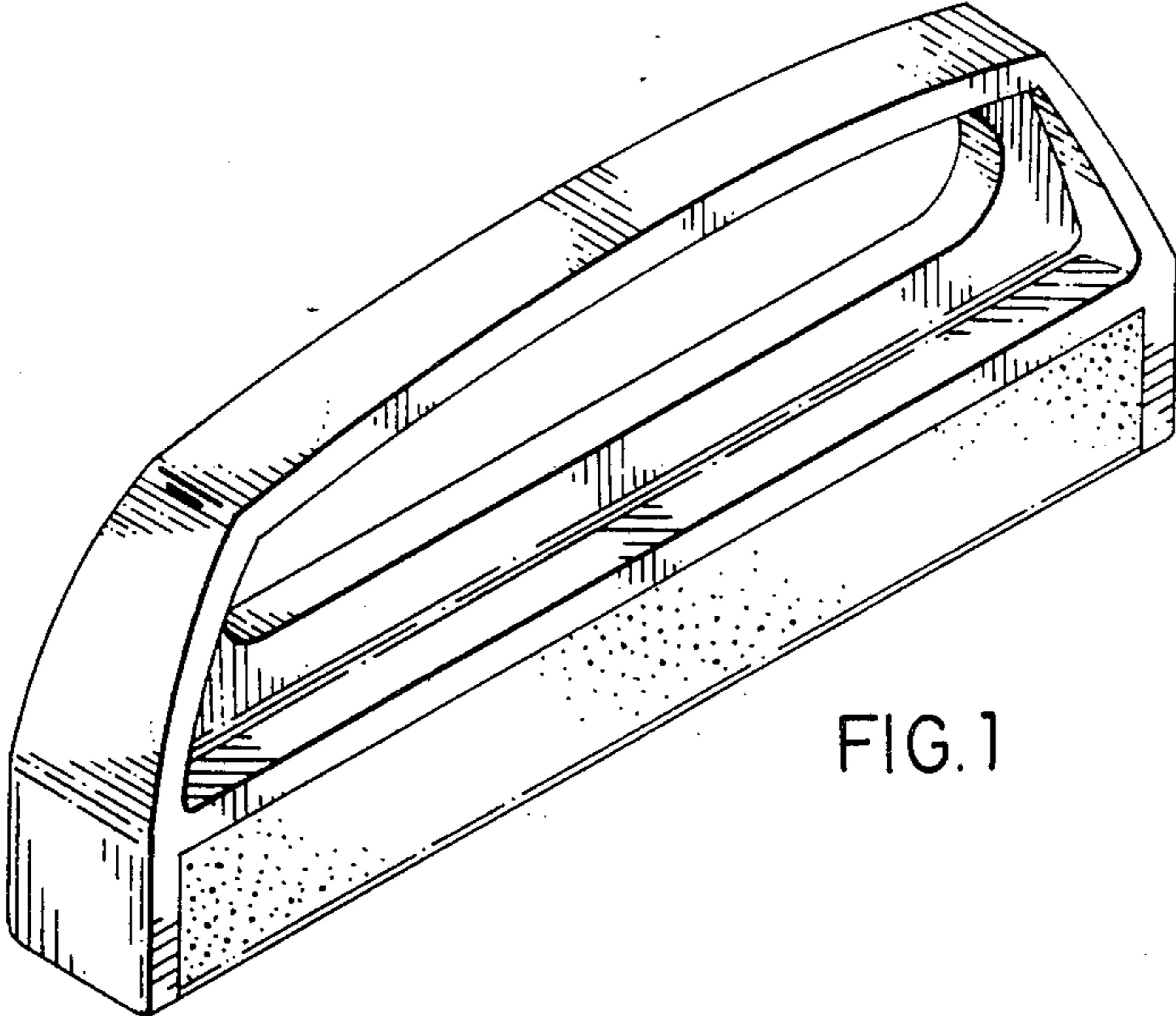


FIG. 1



FIG. 4

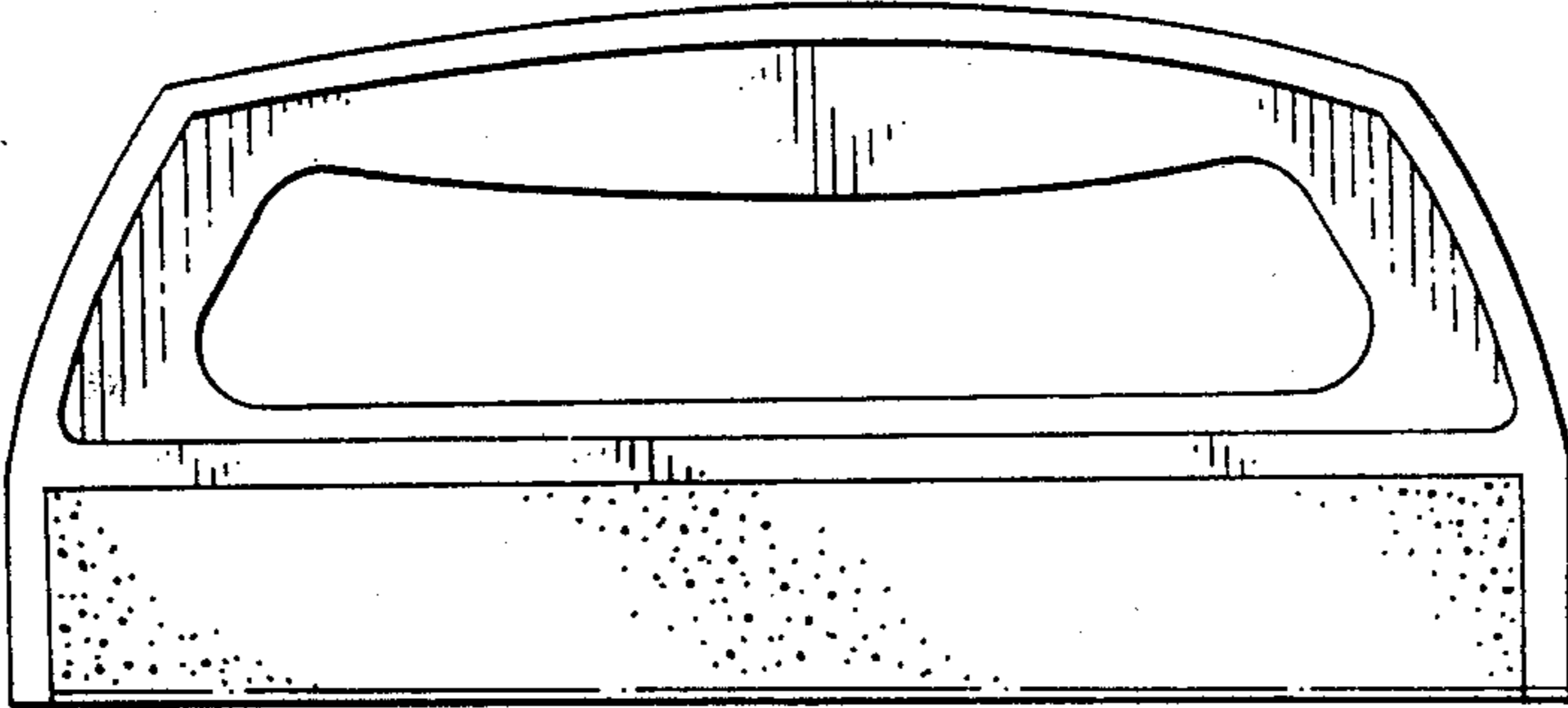


FIG. 2

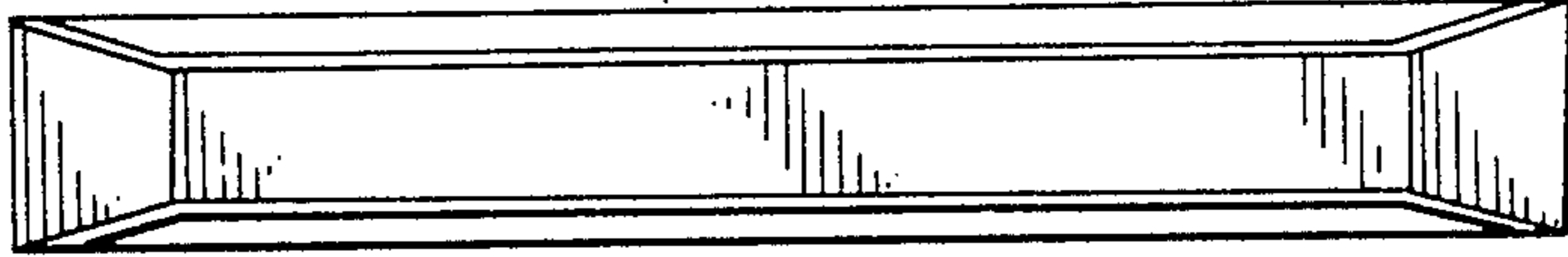


FIG. 6

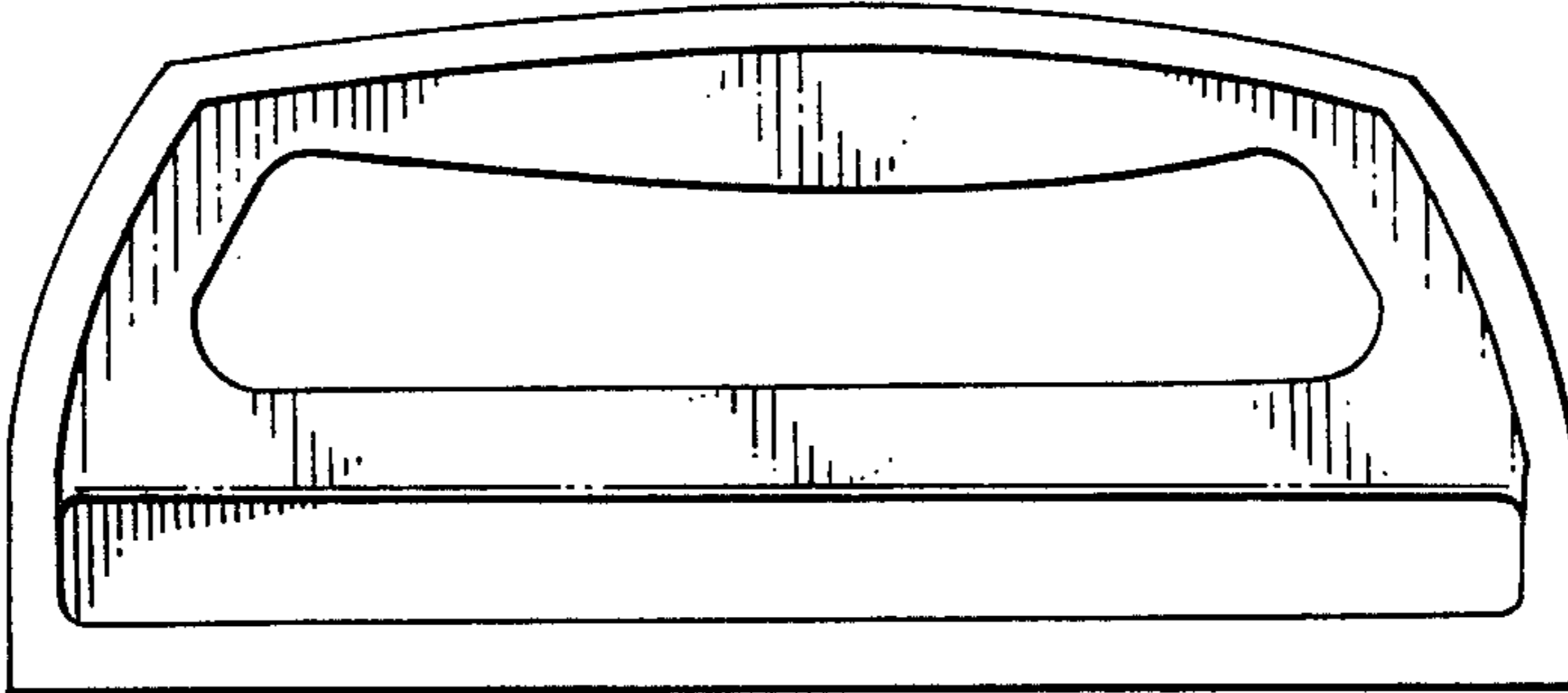


FIG. 3



FIG. 5