

[54] **ELECTROMAGNETIC STIMULATOR**

[75] **Inventor: Christian Michiels, Everberg, Belgium**

[73] **Assignee: I.S.E.C. Ltd., Industrial Supplies and Engineering Co., London, England**

[**] **Term: 14 Years**

[21] **Appl. No.: 478,909**

[22] **Filed: Mar. 25, 1983**

[30] **Foreign Application Priority Data**

Jan. 11, 1983 [CA] Canada 11-01-83-2

[52] **U.S. Cl. D24/41; D13/11**

[58] **Field of Search D24/36, 8, 23, 40, 41; D13/11, 12, 40, 41; 128/419 R, 419 E, 783, 798, 800, 801, 802**

[56] **References Cited**

U.S. PATENT DOCUMENTS

D. 258,987 4/1981 Fathauer et al. D24/36 X
D. 266,758 11/1982 Johannsen et al. D13/12
3,411,507 11/1968 Wingrove 128/422
3,472,233 10/1969 Sarbacher 128/422
4,033,356 7/1977 Hara 128/801 X

Primary Examiner—A. Hugo Word

Assistant Examiner—Stella Reid

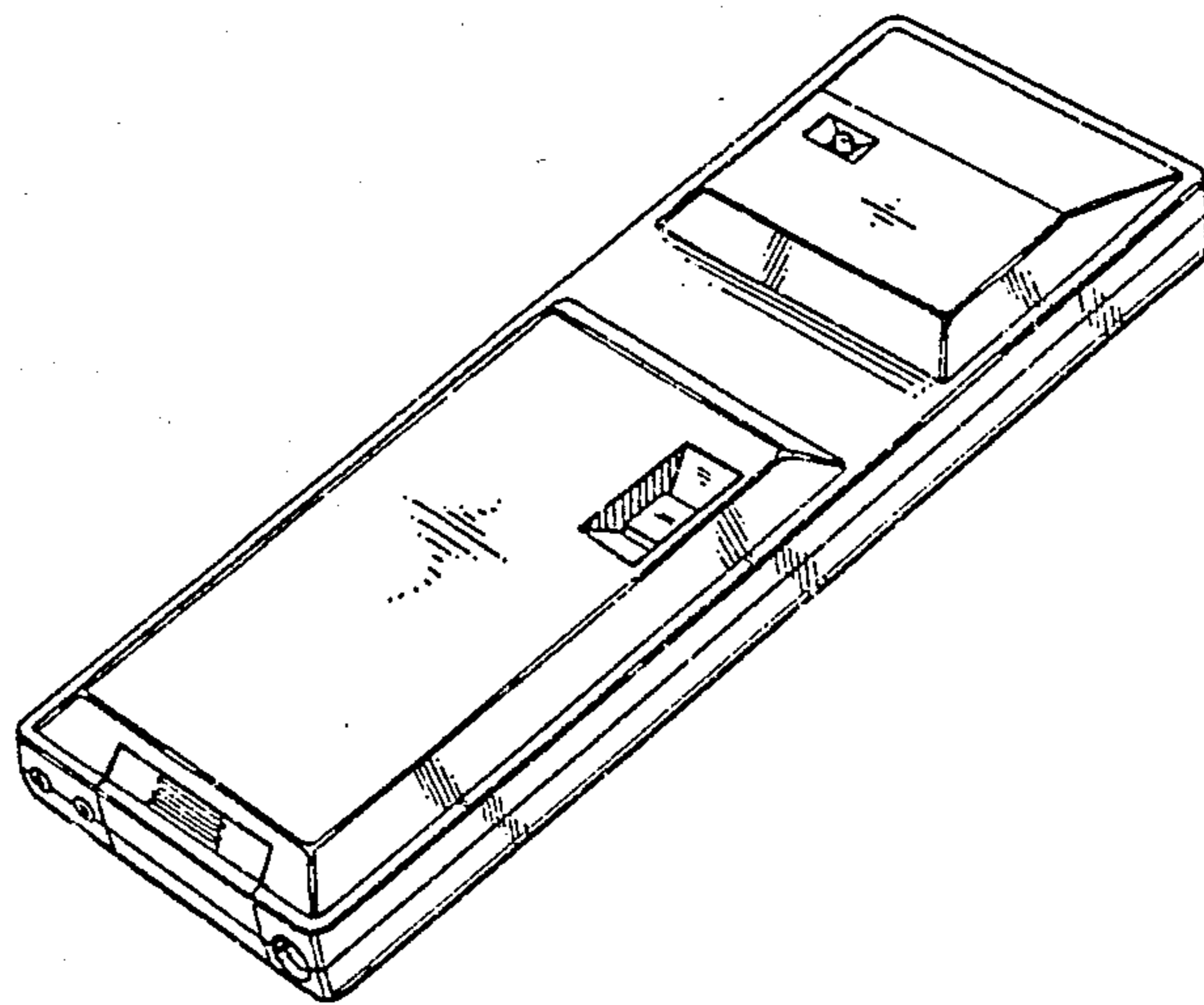
Attorney, Agent, or Firm—Murray Schaffer

[57] **CLAIM**

The ornamental design for an electromagnetic stimulator, substantially as shown and described.

DESCRIPTION

FIG. 1 is a front perspective view of an electromagnetic stimulator showing my new design; and, FIG. 2 is a rear perspective view thereof.



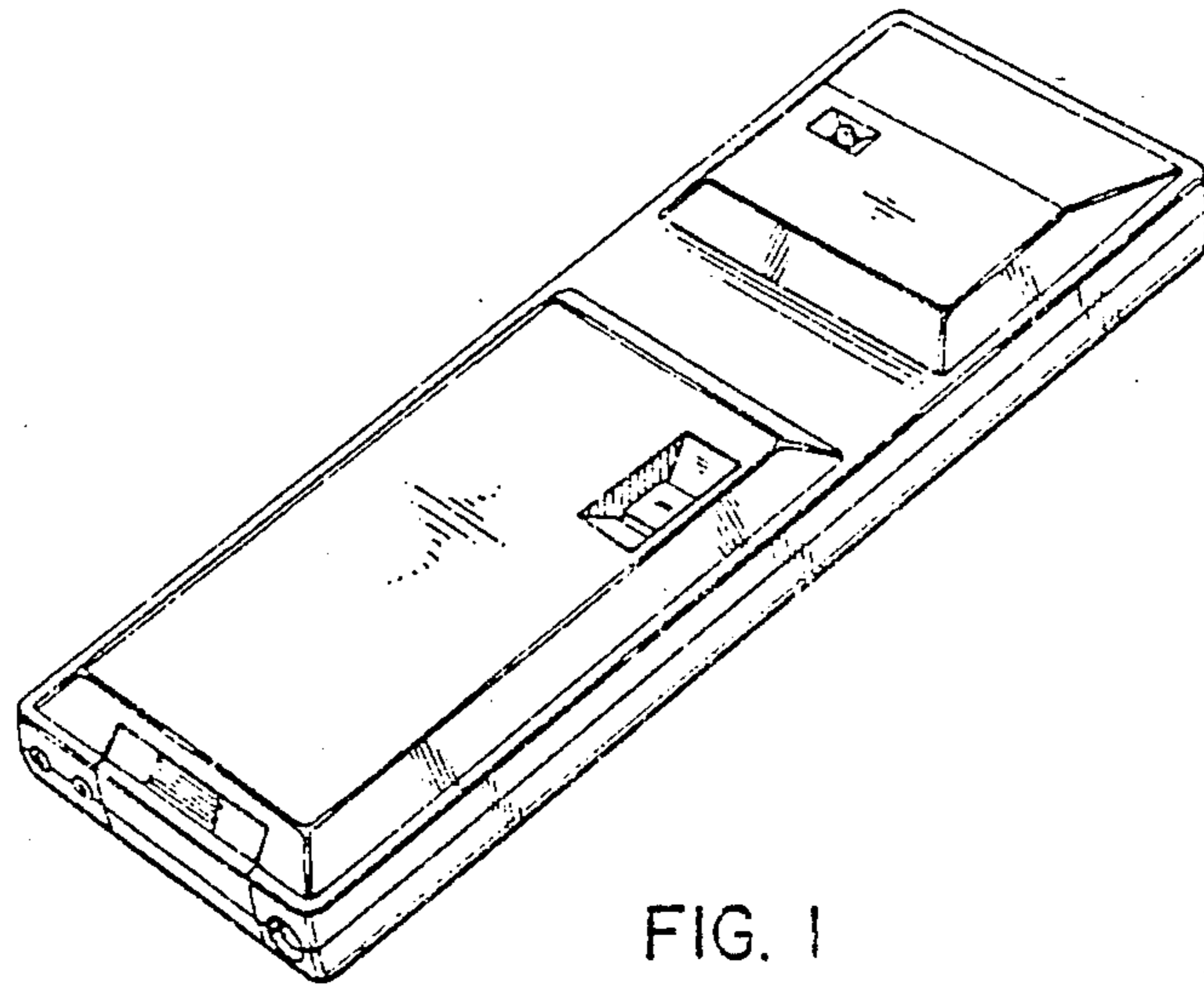


FIG. 1

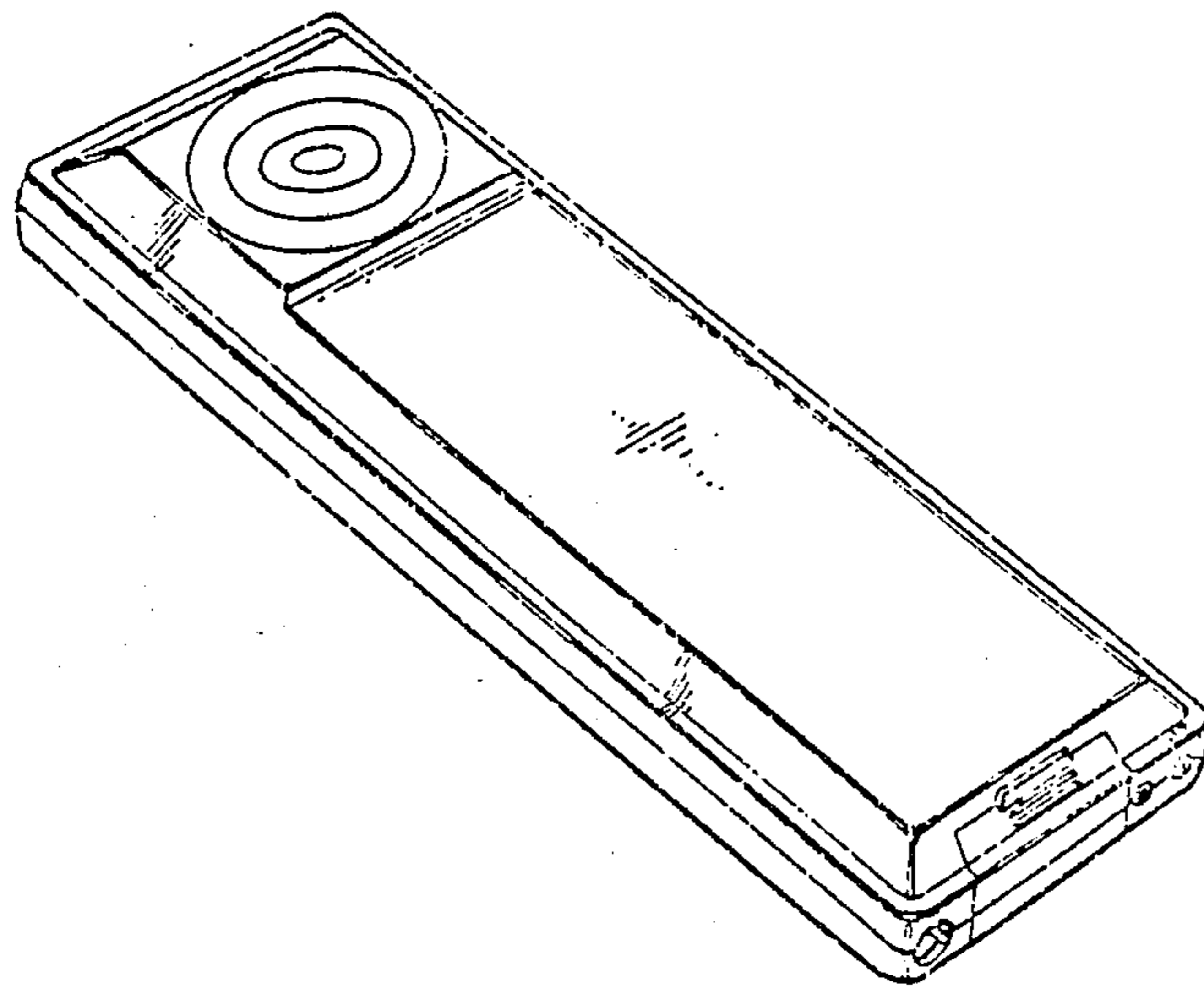


FIG. 2