

[54] REFLEX MASSAGER

[76] Inventor: Peder B. Alstead, 1227 S. Washington St., Tacoma, Wash. 98405

[\*\*] Term: 14 Years

[21] Appl. No.: 475,863

[22] Filed: Mar. 16, 1983

[52] U.S. Cl. .... D24/36

[58] Field of Search ..... D24/36, 41, 42; 128/57, 128/25 B

[56] References Cited

U.S. PATENT DOCUMENTS

1,819,628	8/1931	Sant	128/65
2,450,935	10/1948	Carr	128/60 X
2,607,064	8/1952	Sullivan et al.	128/67 X

2,633,844	4/1953	Herndon	128/57
2,836,175	5/1958	Nakayama	128/60
3,625,204	12/1971	Sekiguchi	128/60
3,645,257	2/1972	Nakayama	128/60
4,233,966	11/1980	Takahashi	128/67

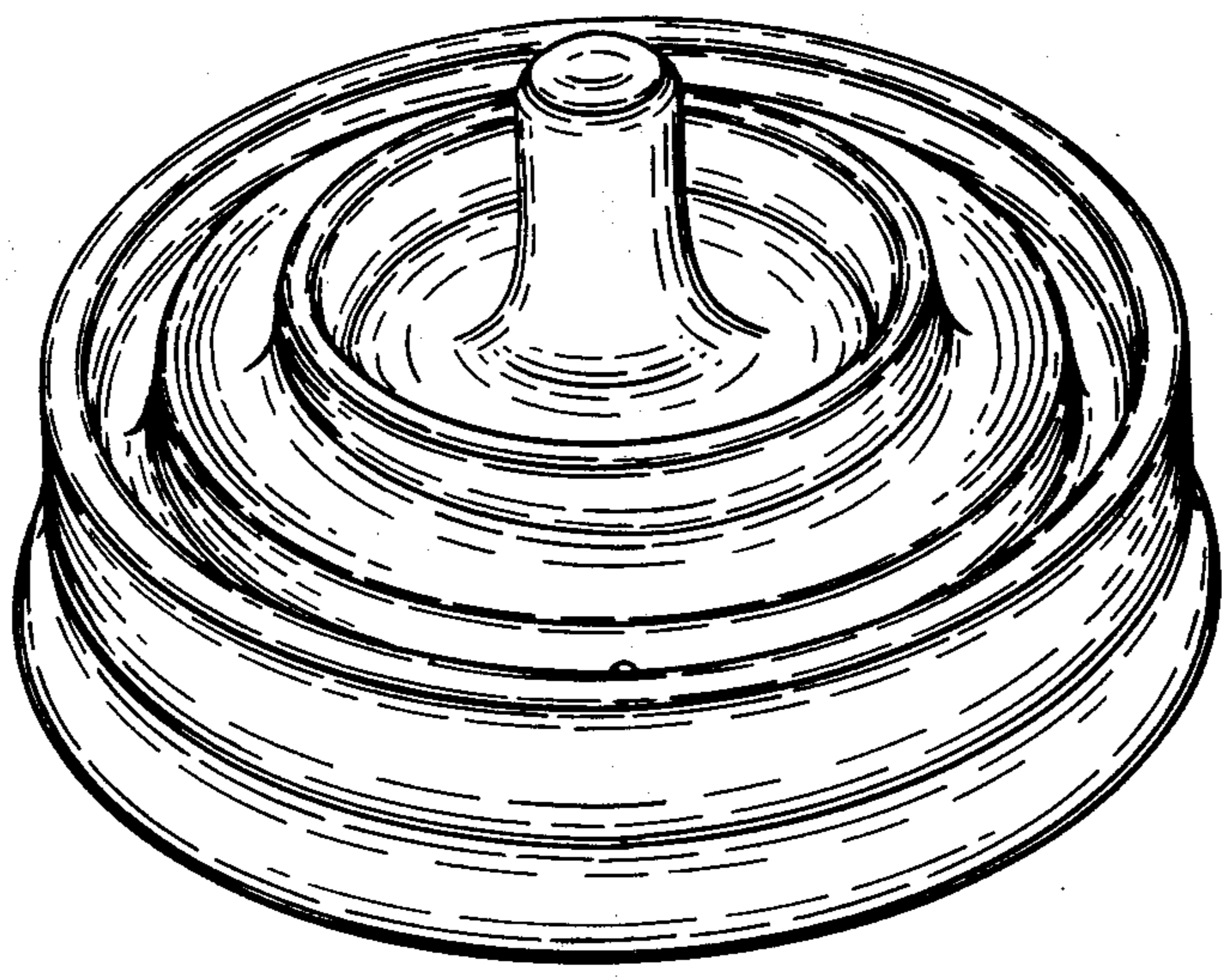
Primary Examiner—A. Hugo Word  
Assistant Examiner—Stella Reid  
Attorney, Agent, or Firm—Glen A. Collett

[57] CLAIM

The ornamental design for a reflex massager, as shown.

DESCRIPTION

FIG. 1 is a top perspective view of a reflex massager, showing my new design;  
FIG. 2 is a top plan view thereof;  
FIG. 3 is a side elevational view thereof;  
FIG. 4 is a bottom plan view thereof; and  
FIG. 5 is a cross-sectional view thereof taken along the line 5—5 of FIG. 2.



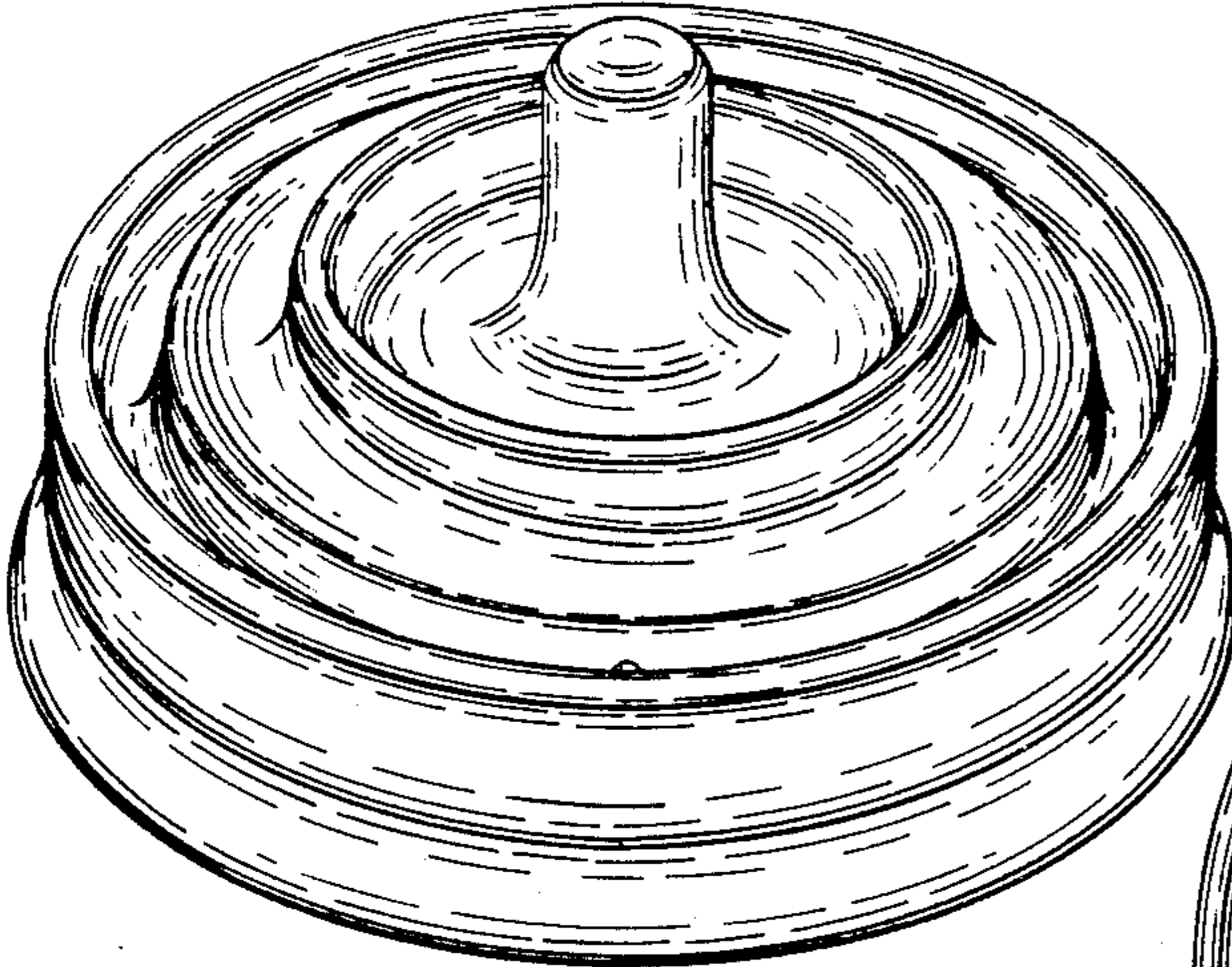


FIG. 1

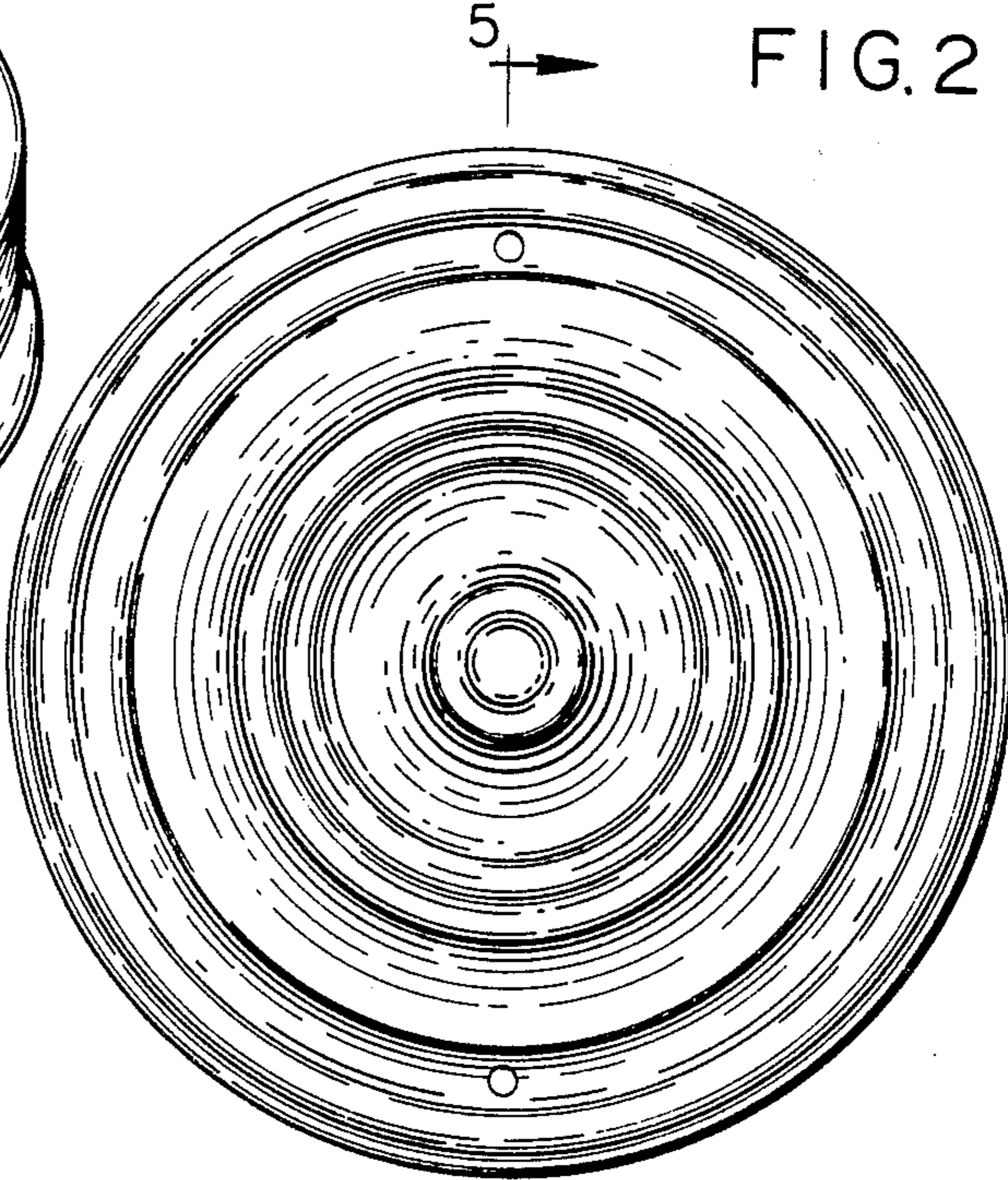


FIG. 2

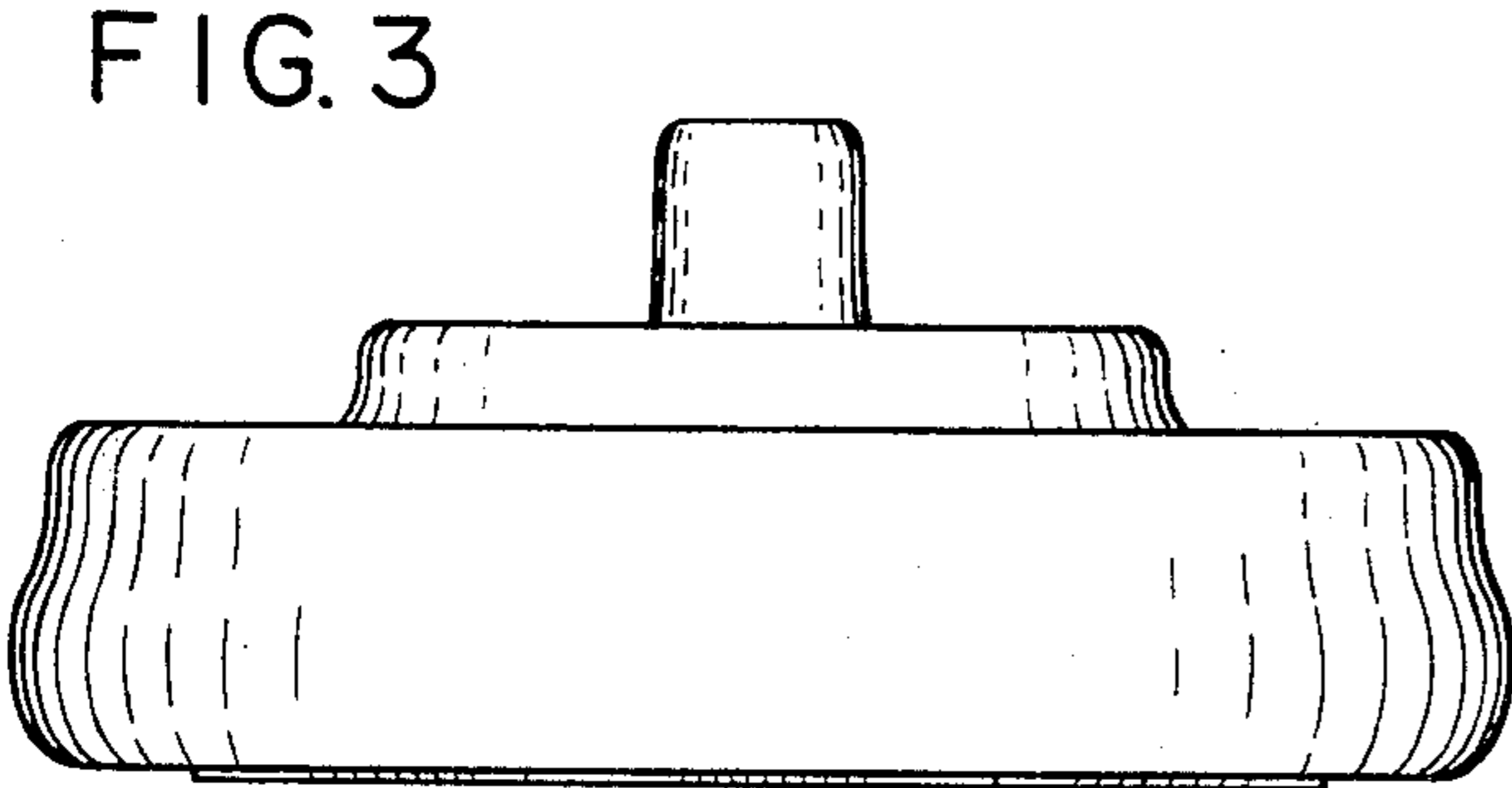


FIG. 3

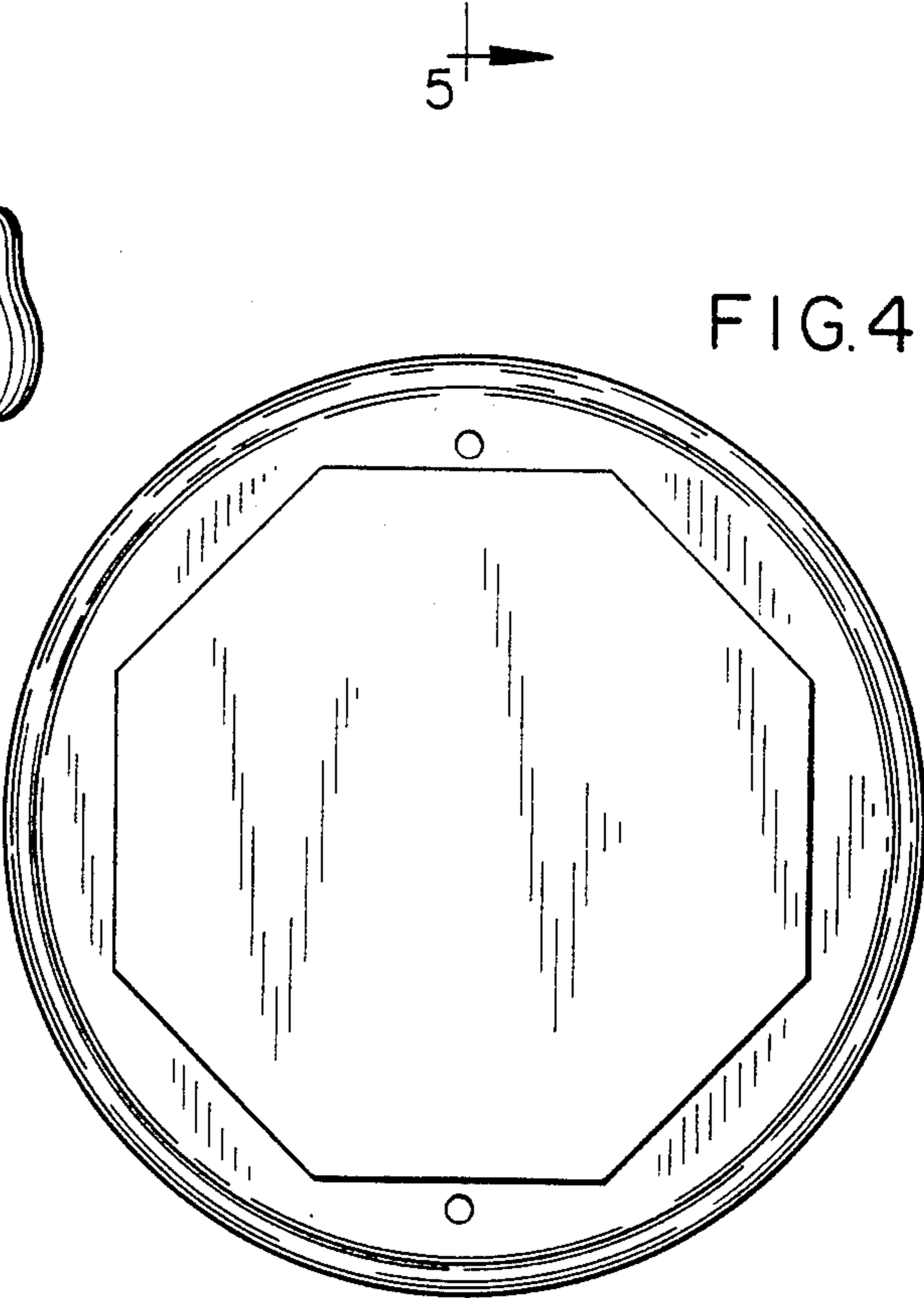


FIG. 4

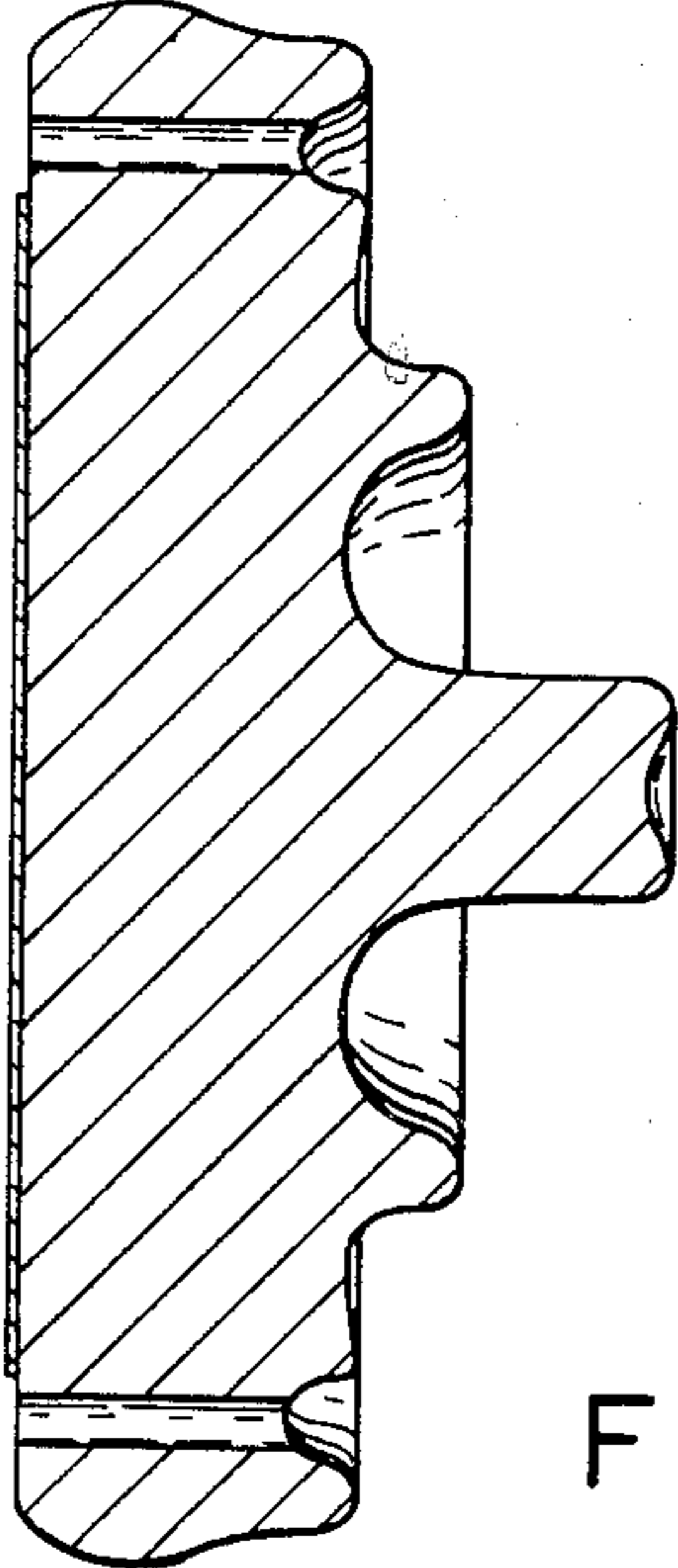


FIG. 5