

[54] **MAGNETIZABLE ROTOR FOR LIQUID TREATMENT APPARATUS**

[75] Inventor: Alan Carrol, London, England

[73] Assignee: Trenchbond Limited, London, England

[**] Term: 14 Years

[21] Appl. No.: 378,819

[22] Filed: May 17, 1982

[30] Foreign Application Priority Data

Nov. 21, 1981 [GB] United Kingdom 1003763

[52] U.S. Cl. D24/29; D7/412

[58] Field of Search D24/8, 23, 29; 128/1.3, 128/1.4; 433/124, 132, 133; 604/903; 219/519; 210/222; D25/74; 366/272, 273, 342, 343; D7/412; D15/144; D13/35; 416/3, 237; 415/10

[56] References Cited

U.S. PATENT DOCUMENTS

D. 226,346 2/1973 Newman D24/23
2,951,689 9/1960 Asp et al. 416/3
3,514,081 5/1970 Cavanaugh et al. 366/342

OTHER PUBLICATIONS

Precision Shapes, Inc., Div. 14, 1946, p. 1-Triangular shape.

Primary Examiner—A. Hugo Word
Attorney, Agent, or Firm—Armstrong, Nikaido, Marmelstein & Kubovcik

[57] CLAIM

The ornamental design for a magnetizable rotor for liquid treatment apparatus, as shown and described.

DESCRIPTION

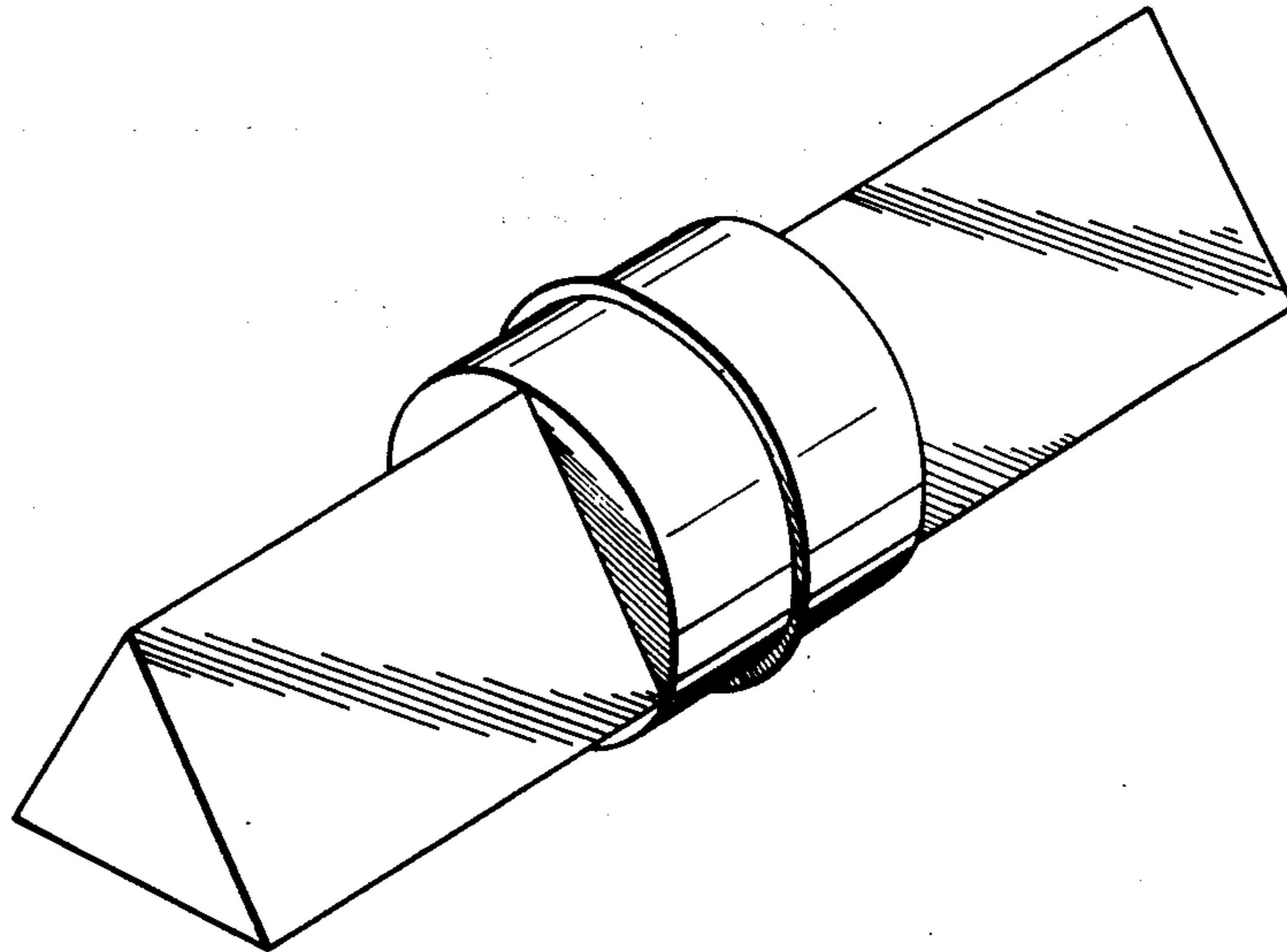
FIG. 1 is a perspective view from above one side and one end of a magnetizable rotor embodying my new design;

FIG. 2 is a side elevation;

FIG. 3 is a plan view;

FIG. 4 is an underneath view; and

FIG. 5 is an end elevation.



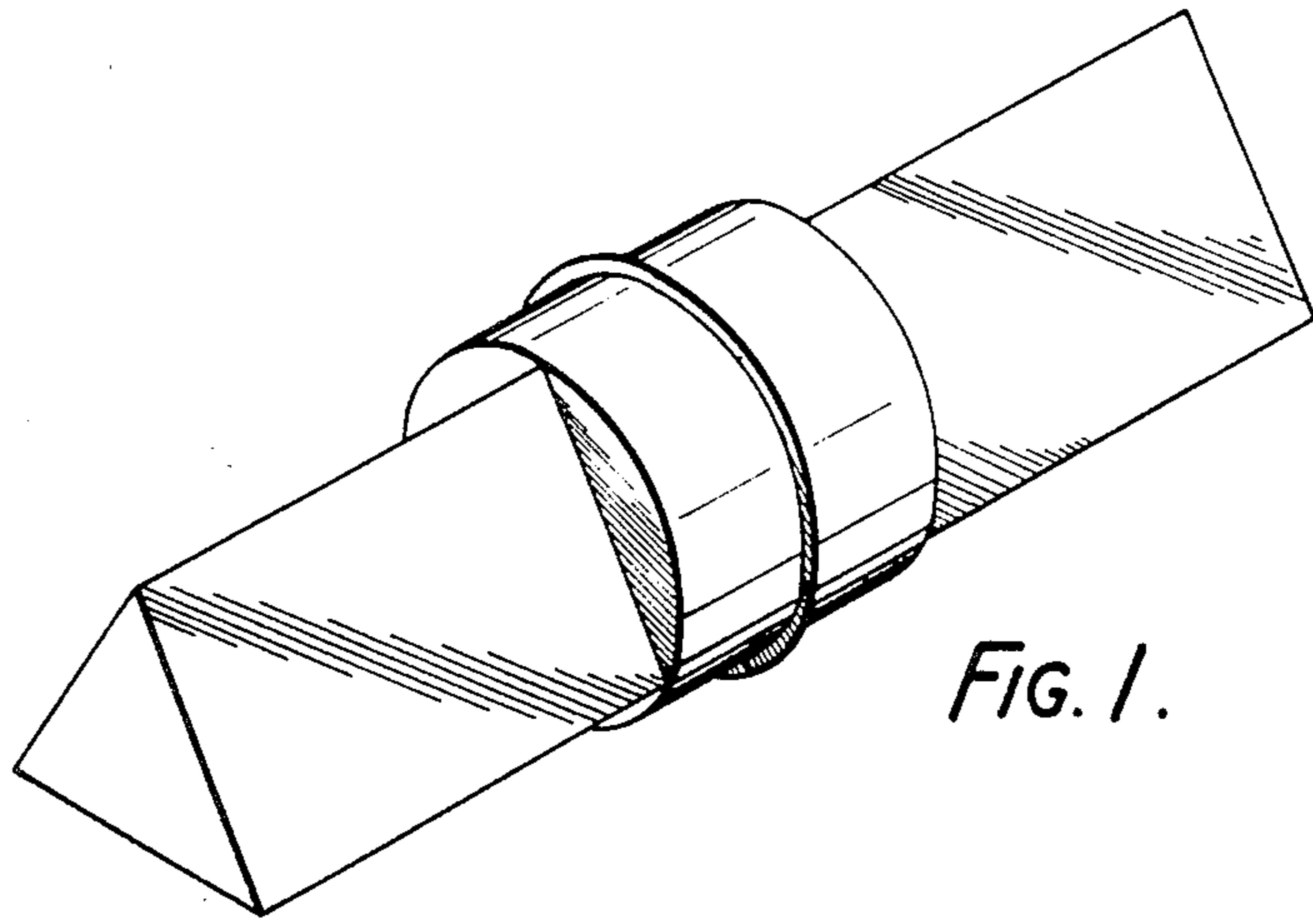


FIG. 1.

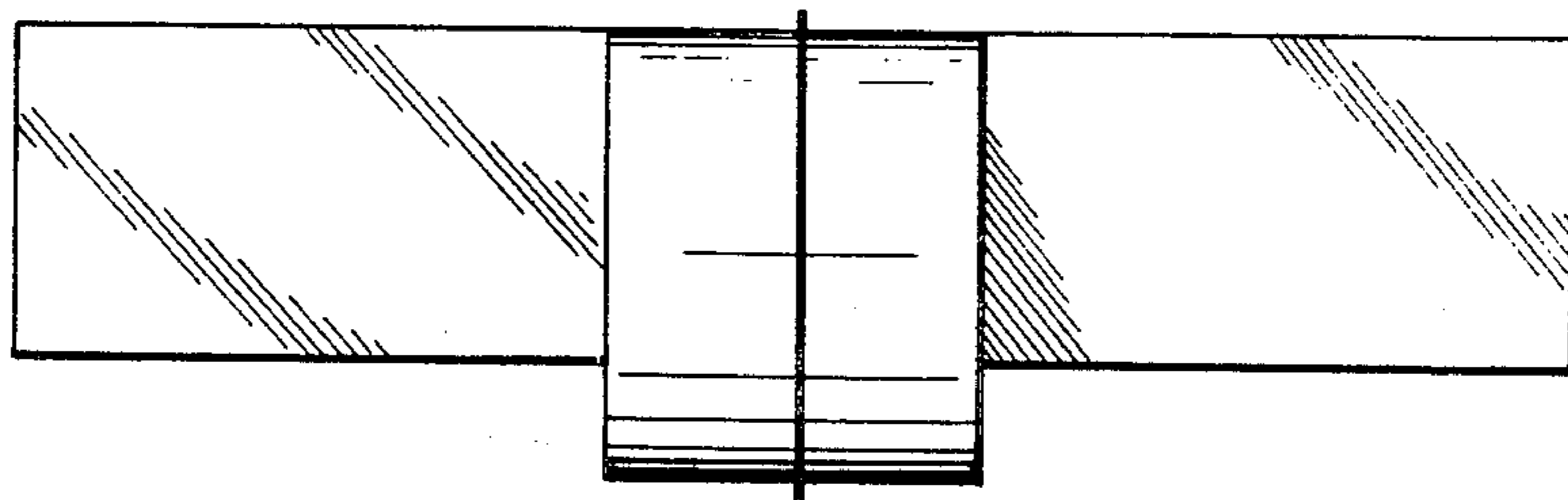


FIG. 2.

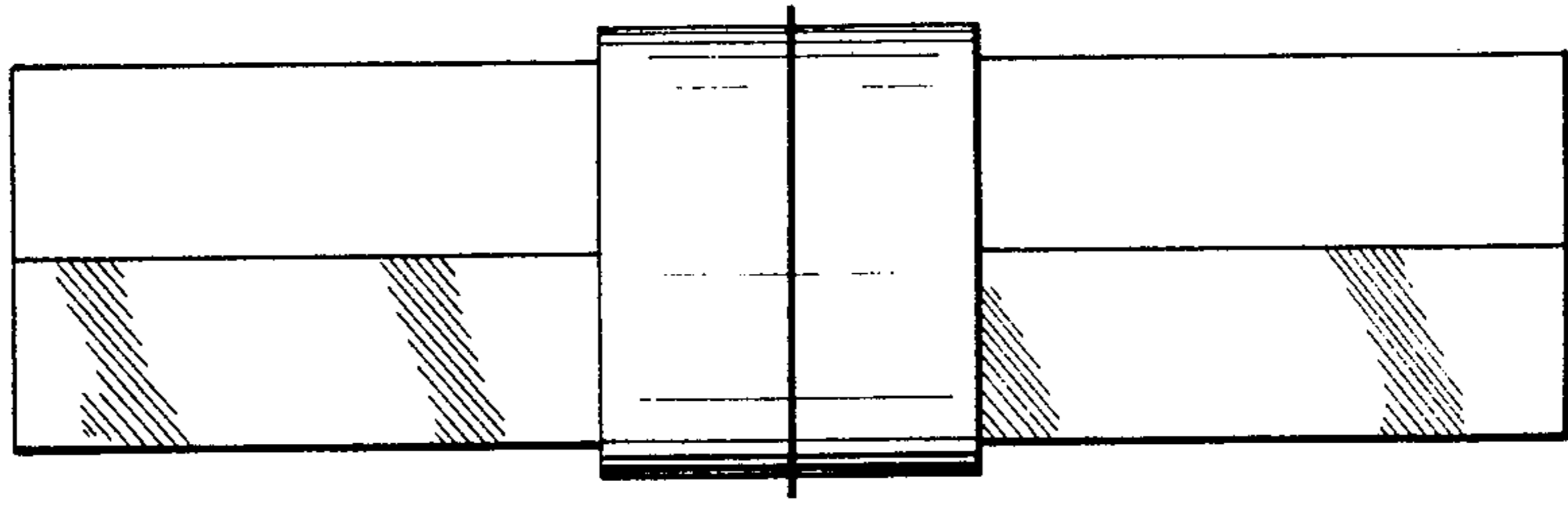


FIG. 3.

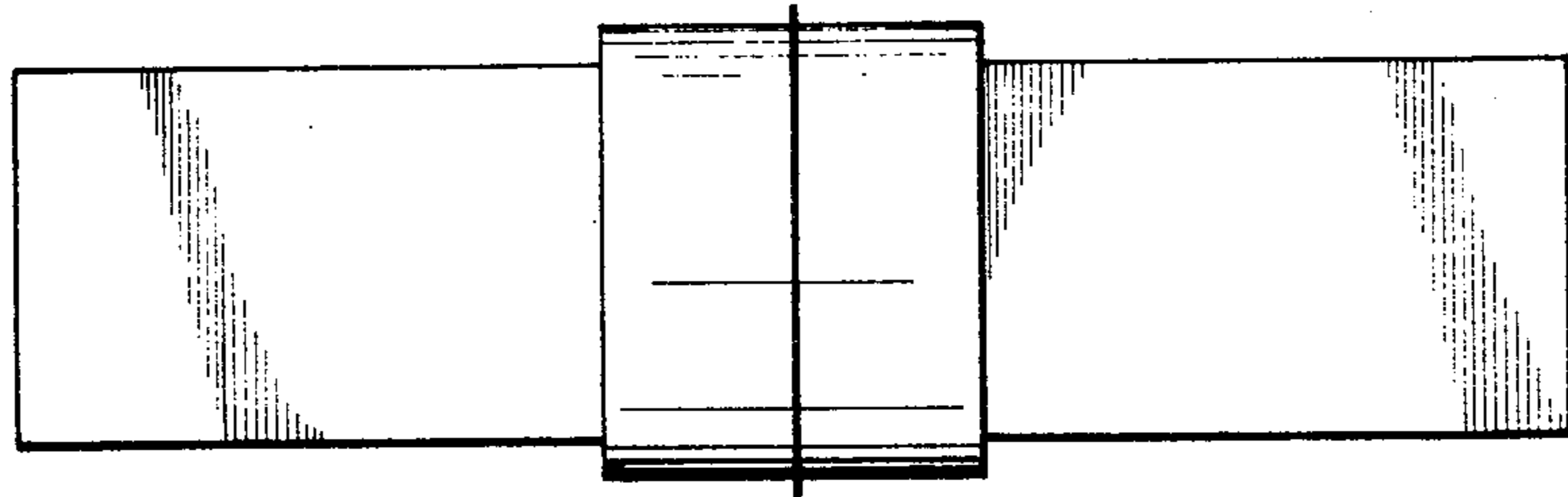


FIG. 4.

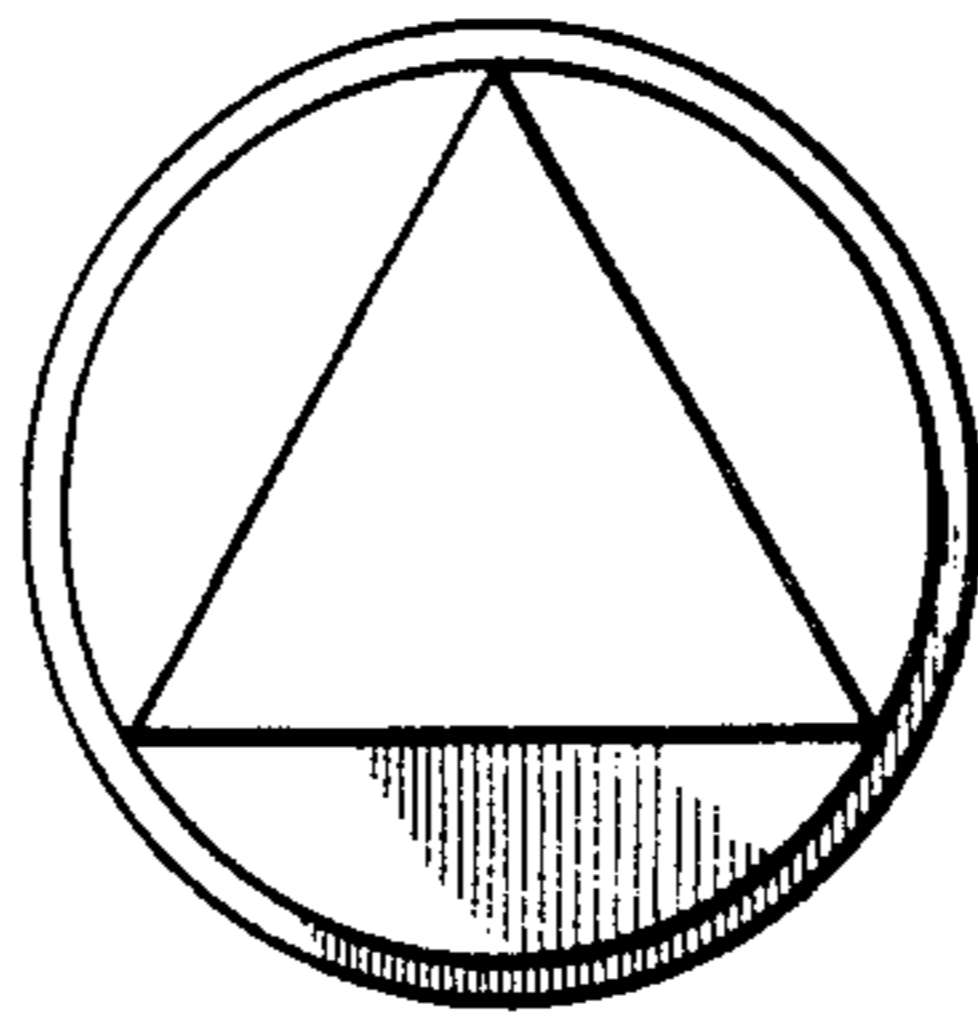


FIG. 5.