

[54] SURGICAL PUNCH

[75] Inventor: Timothy M. Scanlan, St. Paul, Minn.

[73] Assignee: Scanlan International, Inc., St. Paul, Minn.

[\*\*] Term: 14 Years

[21] Appl. No.: 458,070

[22] Filed: Jan. 14, 1983

[52] U.S. Cl. .... D24/28

[58] Field of Search ..... D24/26, 27, 24, 28, D24/23, 30, 14, 60; 128/305, 753, 754

[56] References Cited

U.S. PATENT DOCUMENTS

- D. 196,091 8/1963 Evers et al. .... D24/24
- 3,088,454 5/1963 Shute ..... D24/28 X
- 3,118,447 2/1958 Hunt et al. .... D24/24 X

- 3,388,941 6/1968 Marcus ..... D24/25 X
- 4,018,228 4/1977 Goosen ..... 128/305

Primary Examiner—A. Hugo Word  
Assistant Examiner—Stella Reid  
Attorney, Agent, or Firm—Frederick A. Fleming

[57] CLAIM

The ornamental design for a surgical punch, as shown and described.

DESCRIPTION

FIG. 1 is a top plan view of a surgical punch, in an open condition, showing my new design;  
FIG. 2 is a side elevational view thereof;  
FIG. 3 is an end elevational view thereof;  
FIG. 4 is an elevational view as seen from the opposite end of FIG. 3;  
FIG. 5 is a top plan view of the surgical punch in a closed condition;  
FIG. 6 is a side elevational view thereof.

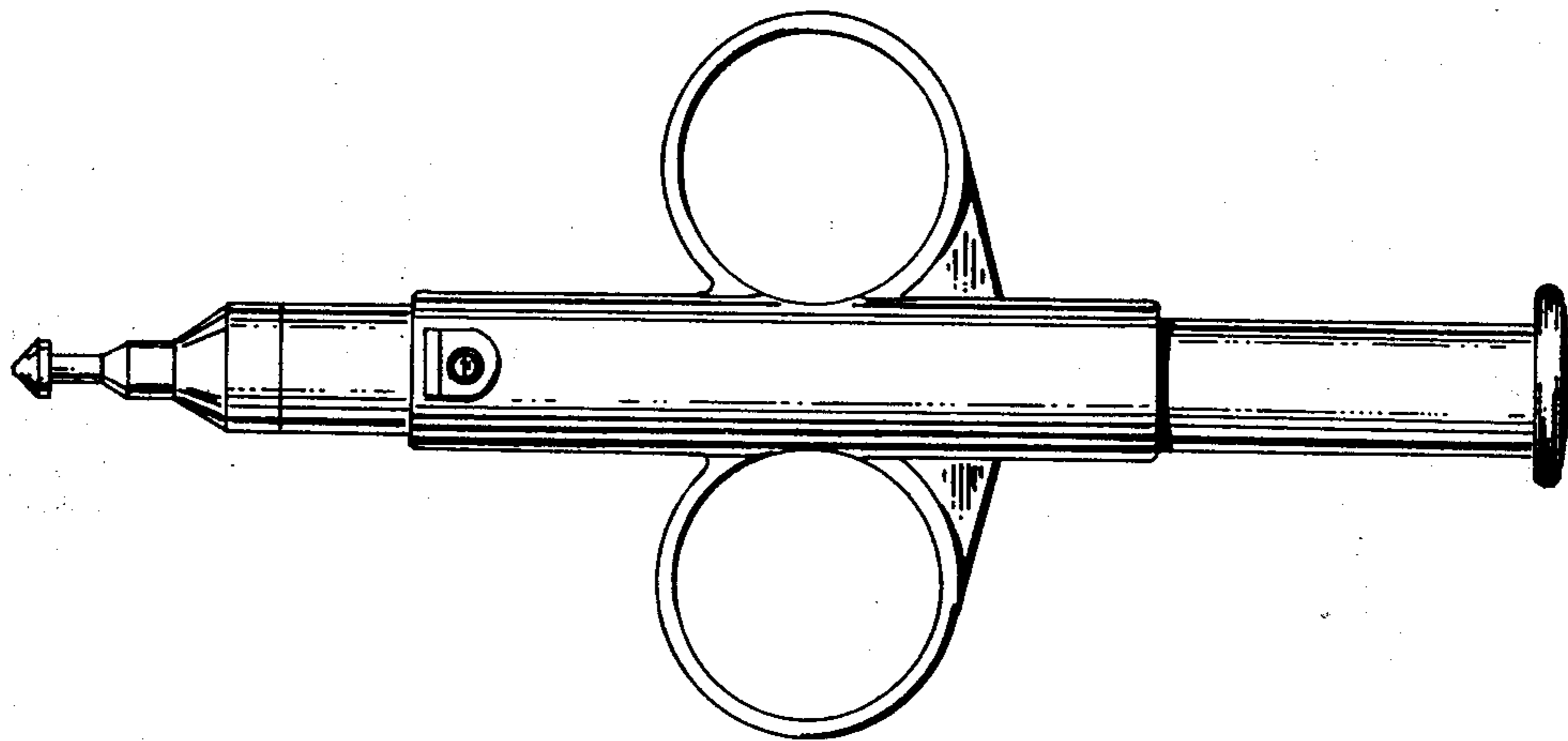


FIG. 4

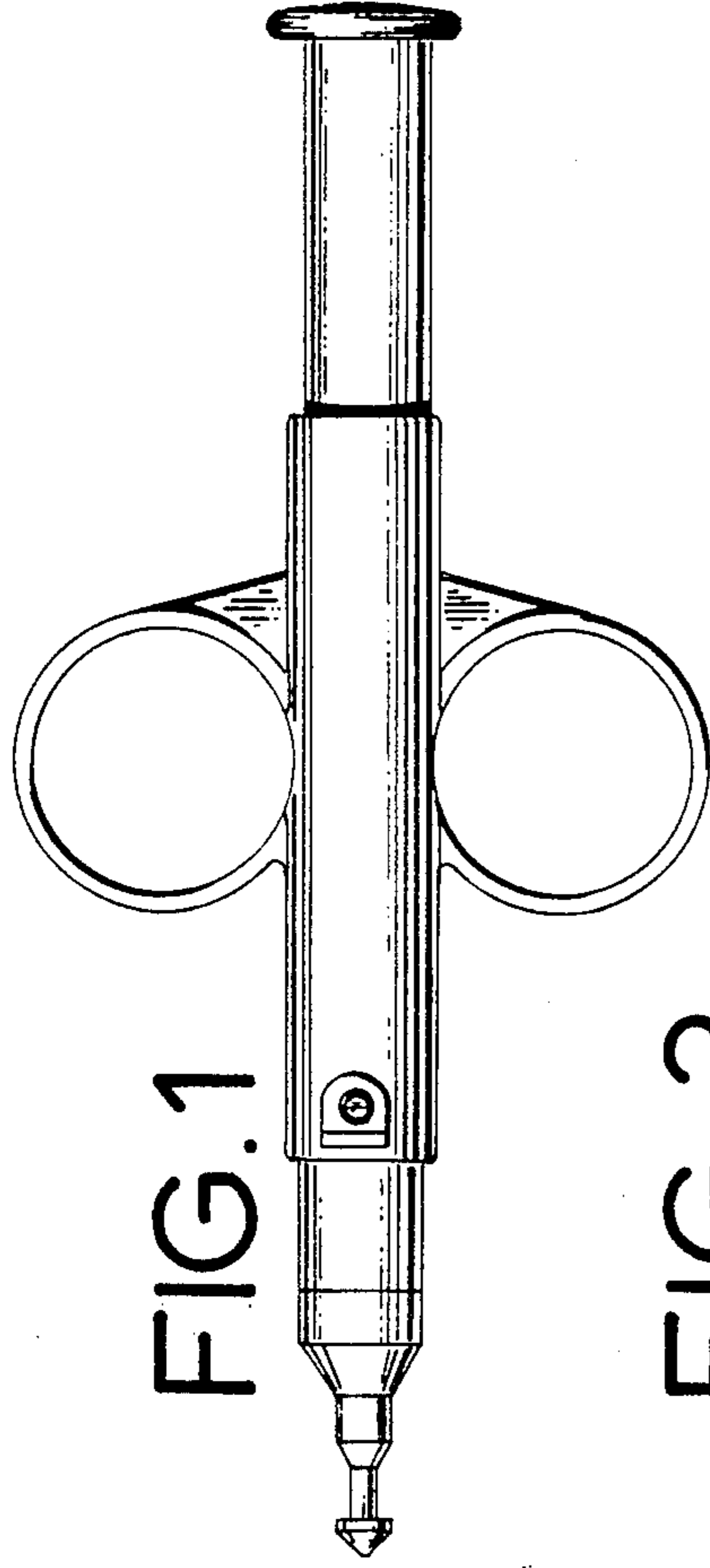
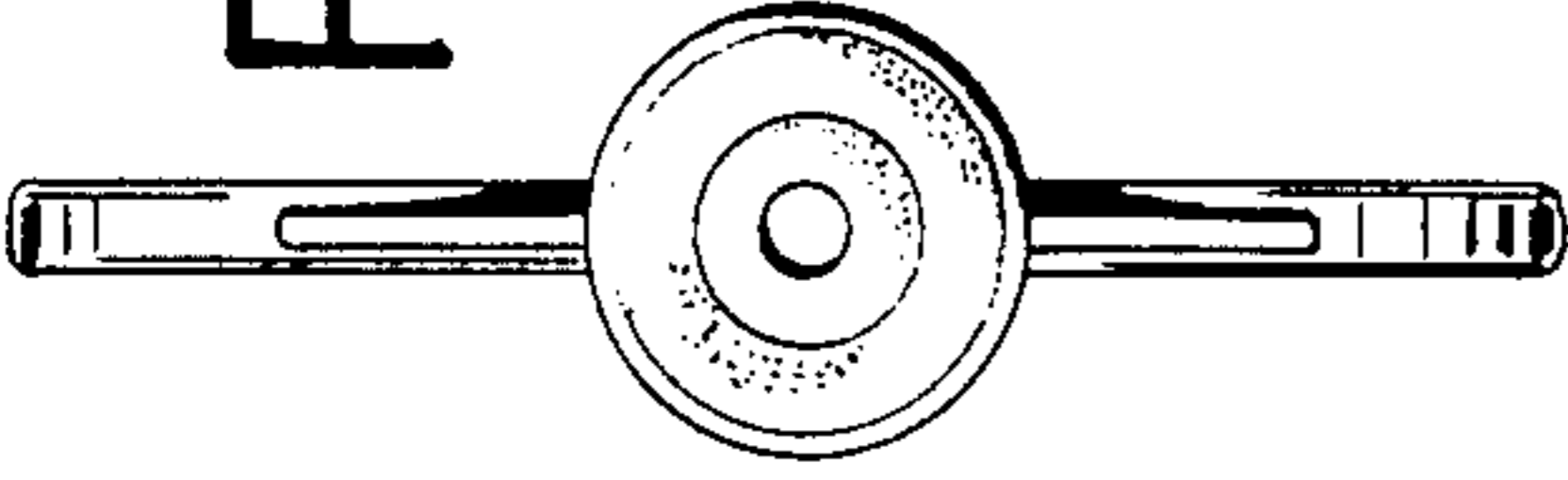


FIG. 1

FIG. 2

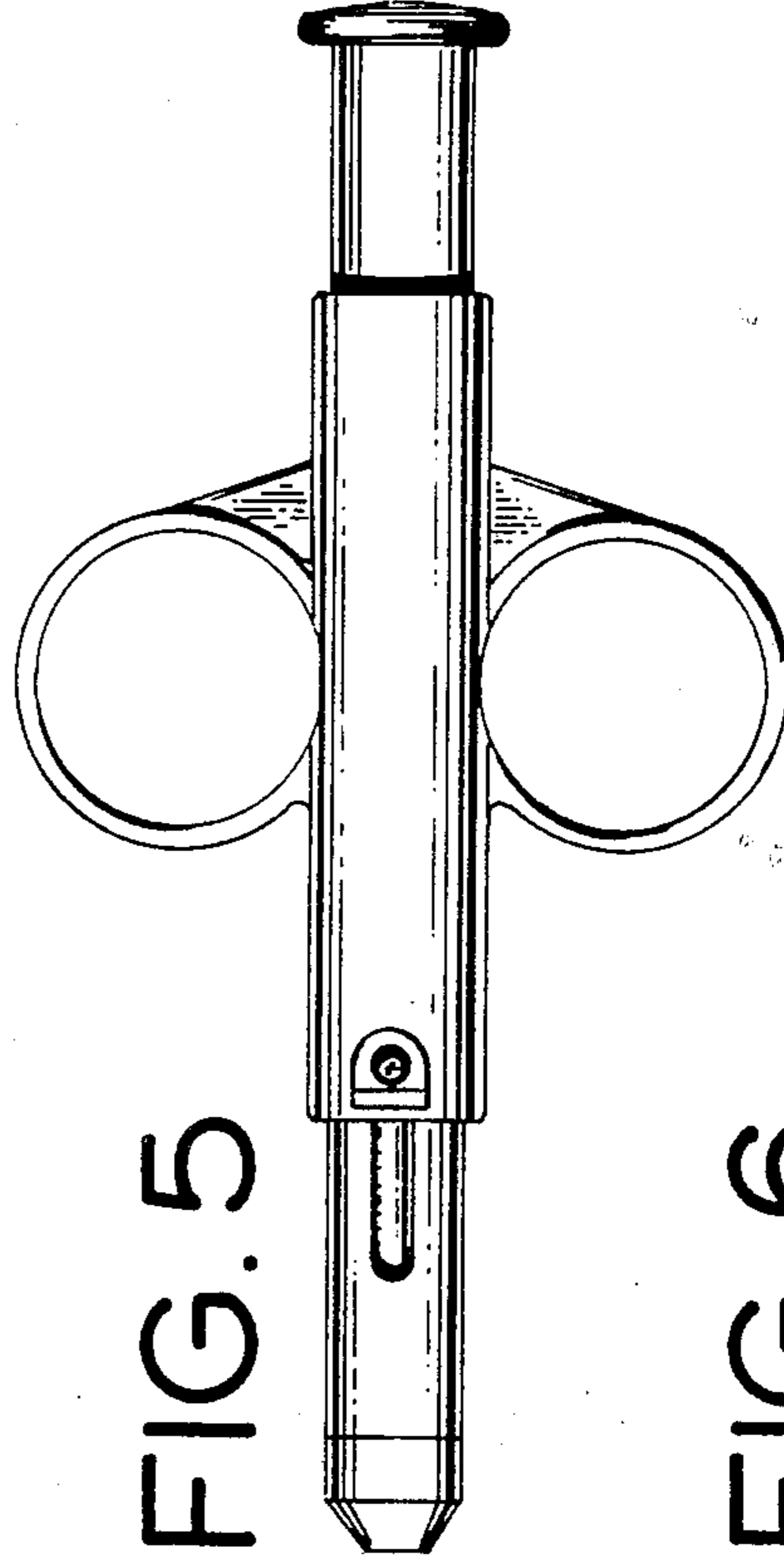
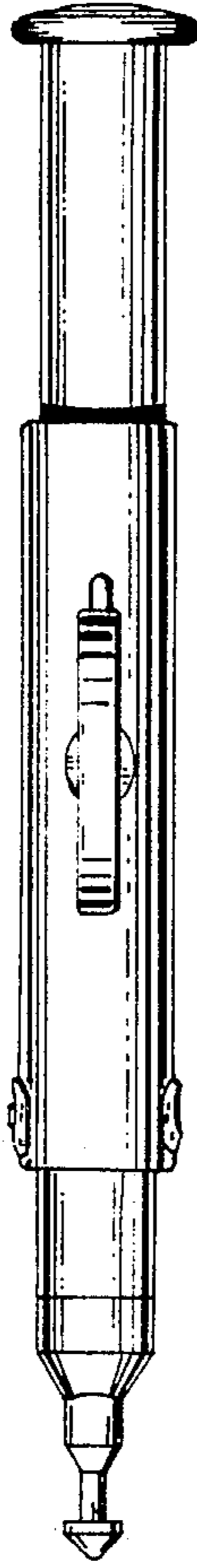


FIG. 5

FIG. 6

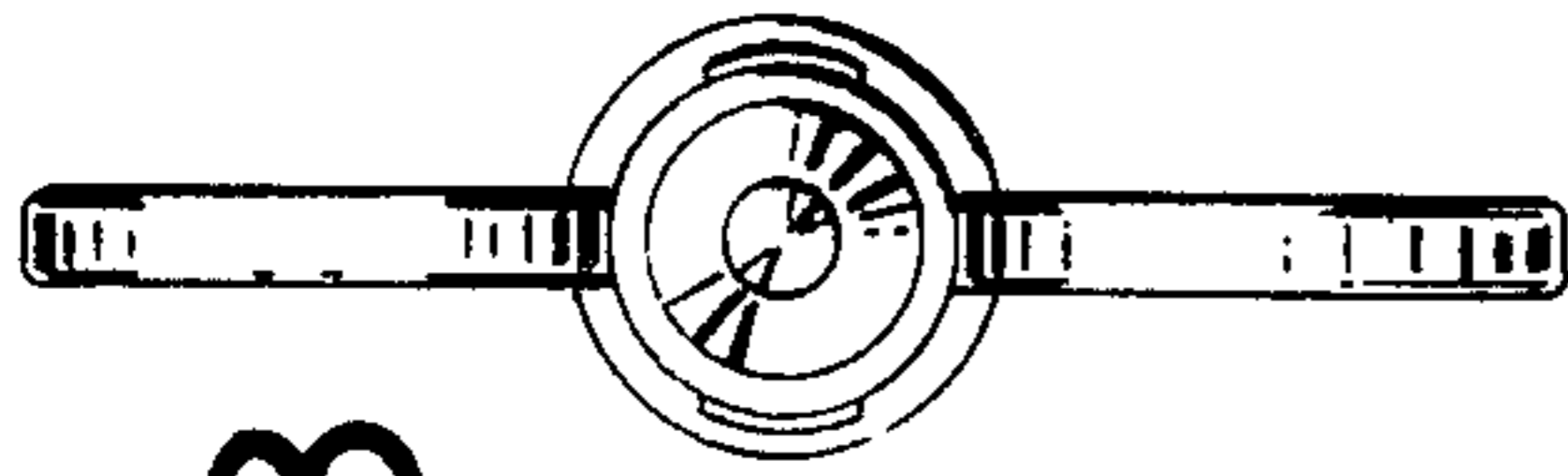
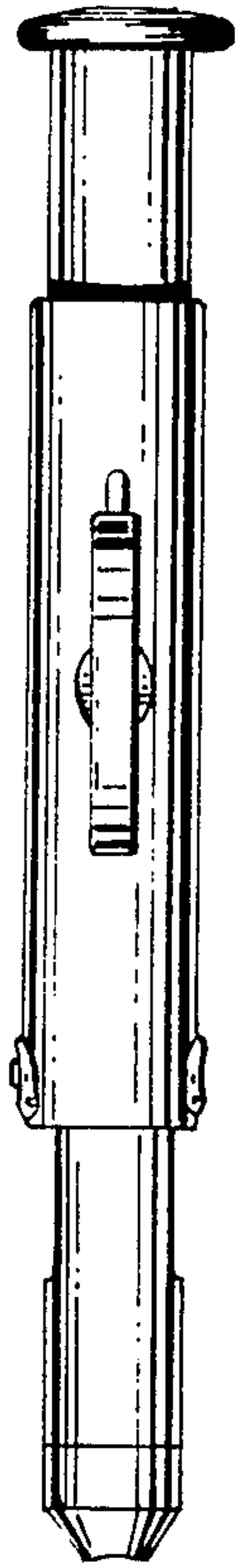


FIG. 3