

[54] **HEAT EXCHANGER WITH GAS VENTING MEANS**

[75] **Inventors: Todor Pavlov, Laguna Niguel; Badri Gupta, Los Angeles, both of Calif.**

[73] **Assignee: Shiley Incorporated, Irvine, Calif.**

[\*\*] **Term: 14 Years**

[21] **Appl. No.: 351,800**

[22] **Filed: Feb. 24, 1982**

[52] **U.S. Cl. .... D23/136; D24/7**

[58] **Field of Search ..... D23/136; 165/163, 157; 128/DIG. 3; 422/45, 46, 47, 48; D24/1.1, 7, 8, 21, 34, 99**

[56] **References Cited**

**U.S. PATENT DOCUMENTS**

3,802,499	4/1974	Garcea	165/163
3,856,475	12/1974	Marx	422/46
4,065,264	12/1977	Lewin	422/46
4,138,288	2/1979	Lewin	422/46 X
4,138,464	2/1979	Lewin	422/46

4,158,693	6/1979	Reed et al.	128/DIG. 3 X
4,182,739	1/1980	Curtis	422/47
4,282,180	8/1981	Raible	422/46
4,396,584	8/1983	Burgess et al.	422/46 X
4,469,659	9/1984	Carson et al.	.

**FOREIGN PATENT DOCUMENTS**

2119074	11/1983	United Kingdom	165/163
---------	---------	----------------	---------

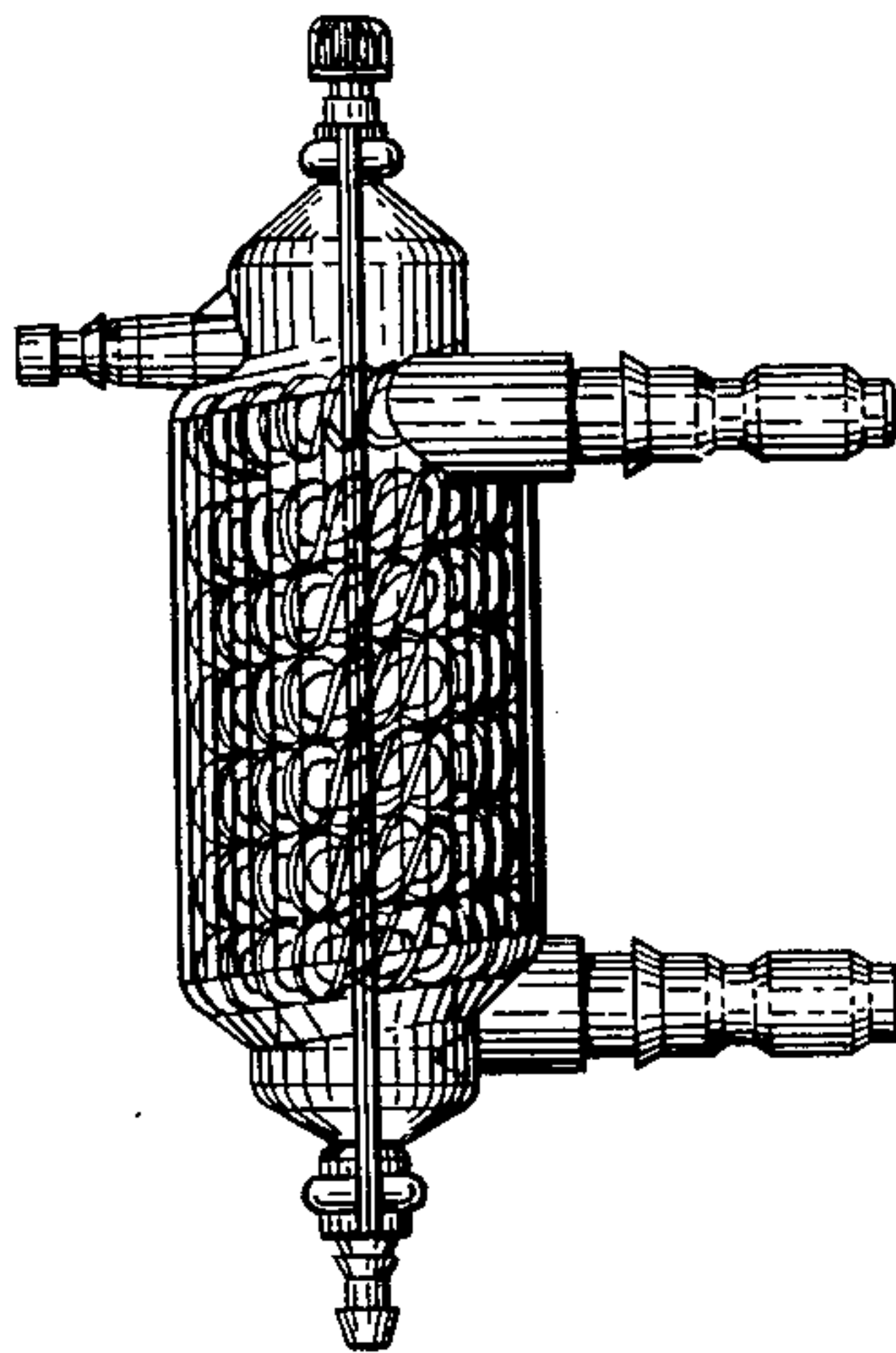
*Primary Examiner*—Catherine E. Kemper  
*Attorney, Agent, or Firm*—Charles J. Knuth; Peter C. Richardson; Lawrence C. Akers

[57] **CLAIM**

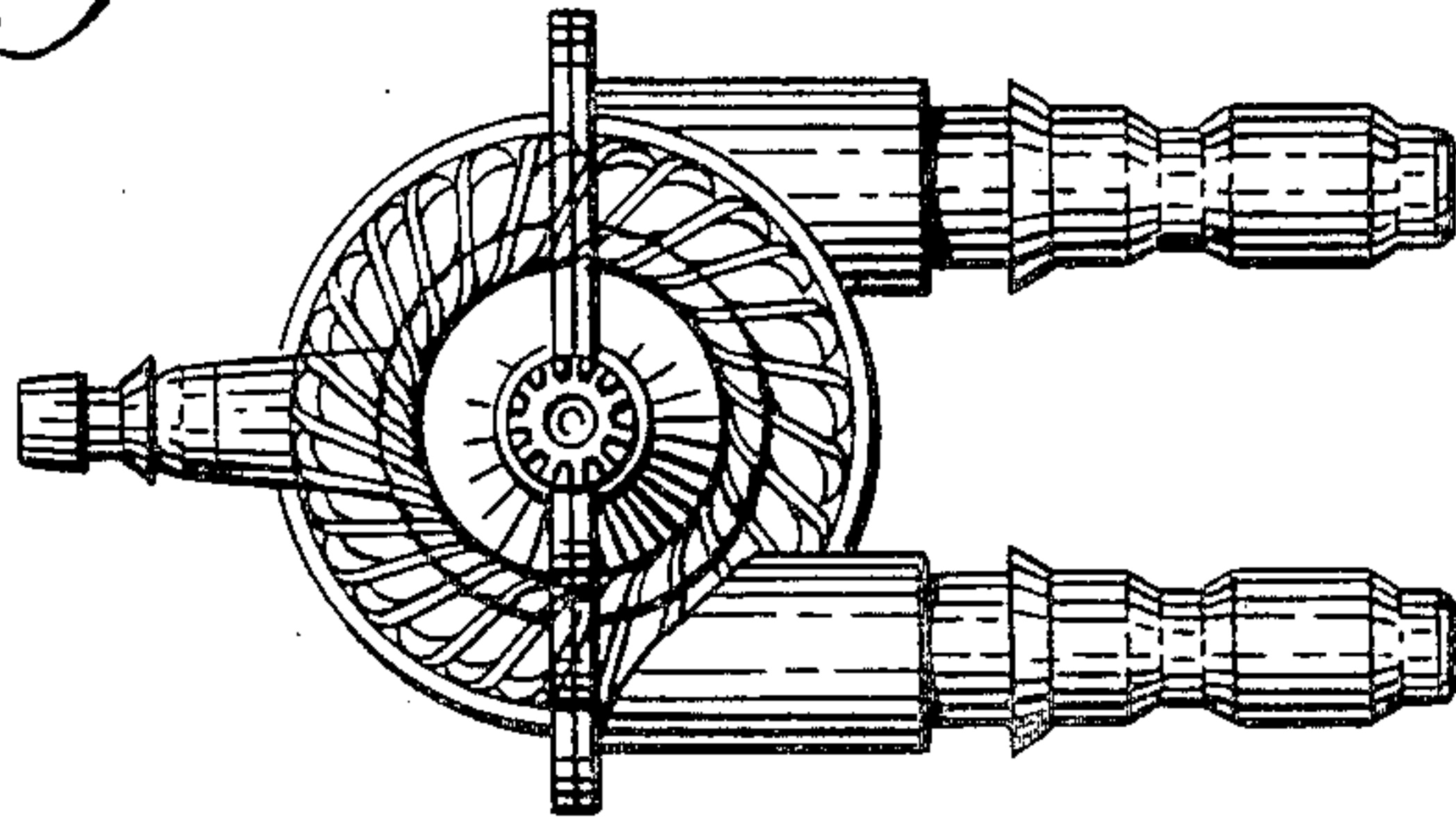
The ornamental design for a heat exchanger with gas venting means, as shown and described.

**DESCRIPTION**

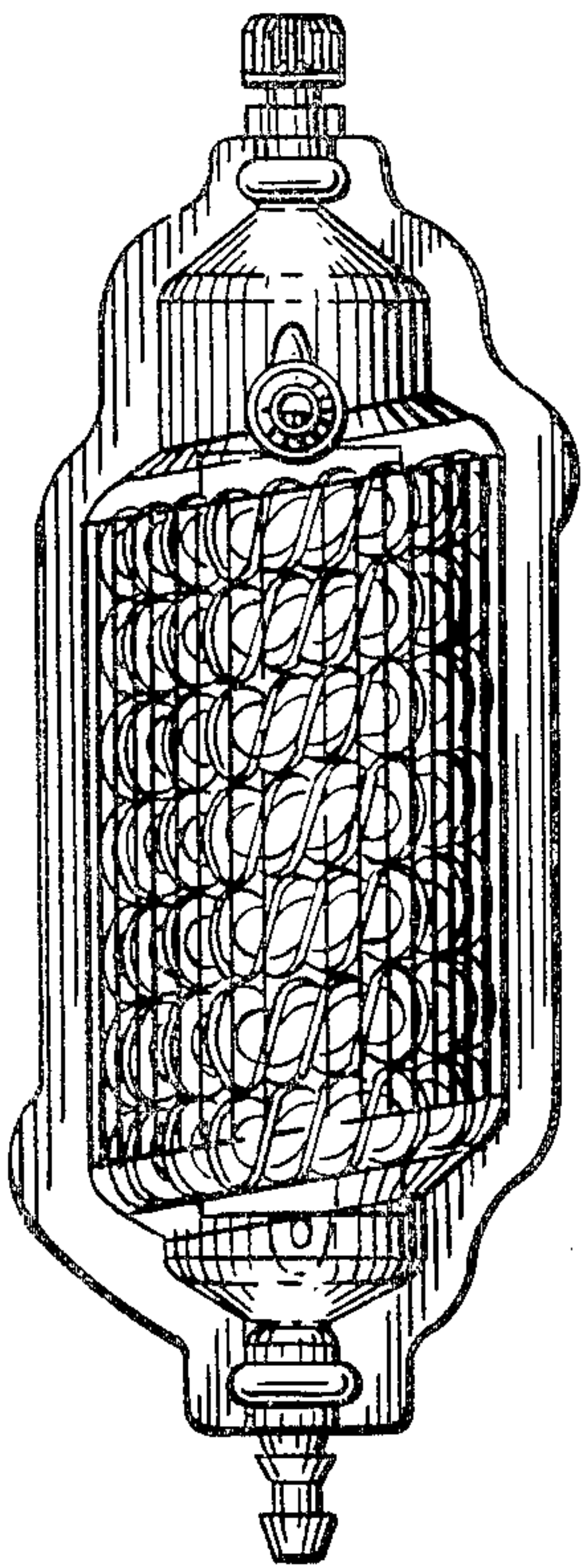
FIG. 1 is a front elevation of a heat exchanger with gas venting means showing our new design; FIG. 2 is a left side elevation thereof; FIG. 3 is a right side elevation thereof; FIG. 4 is a top plan thereof; and FIG. 5 is a bottom plan thereof.



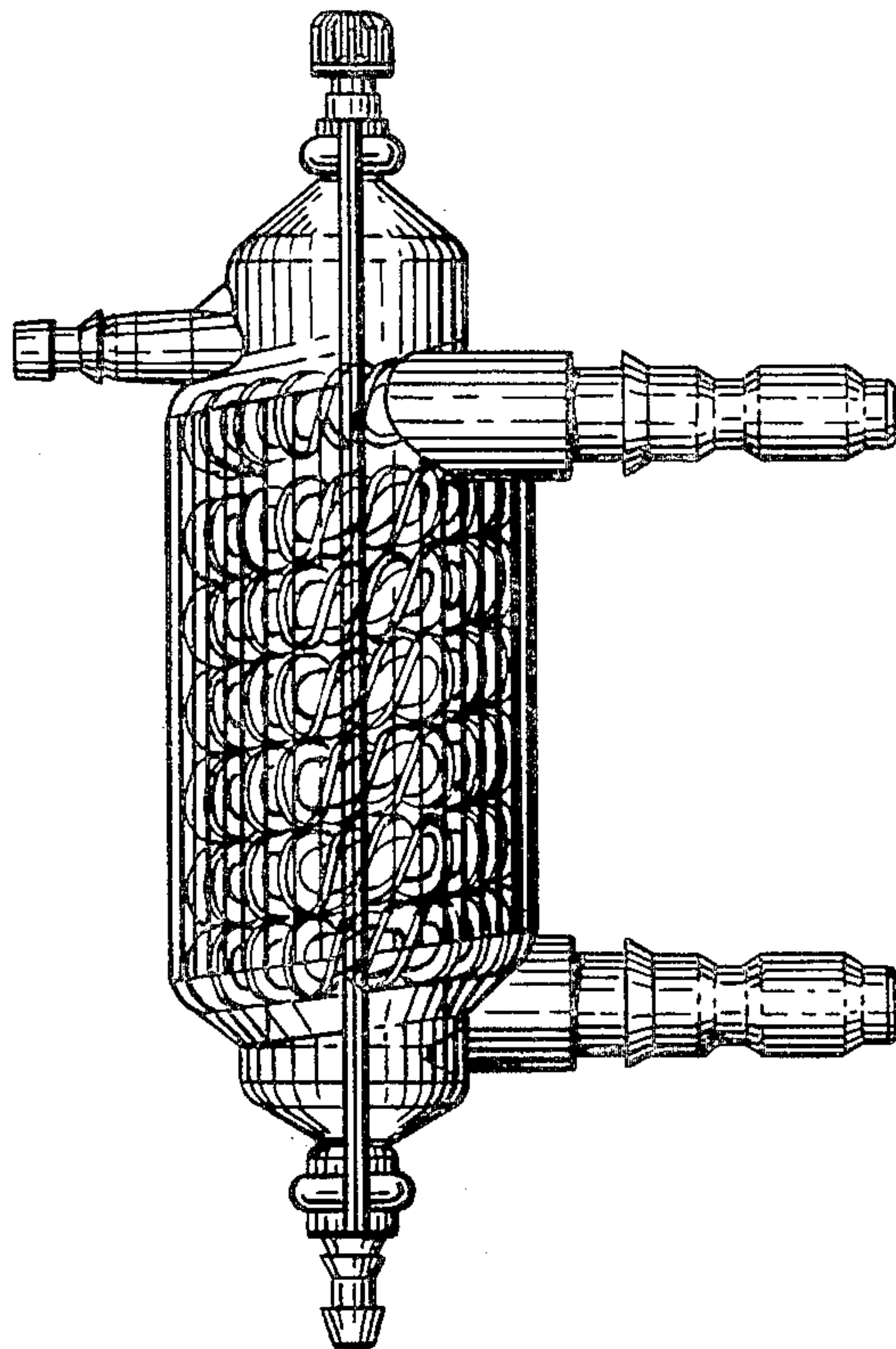
*Fig. 4.*



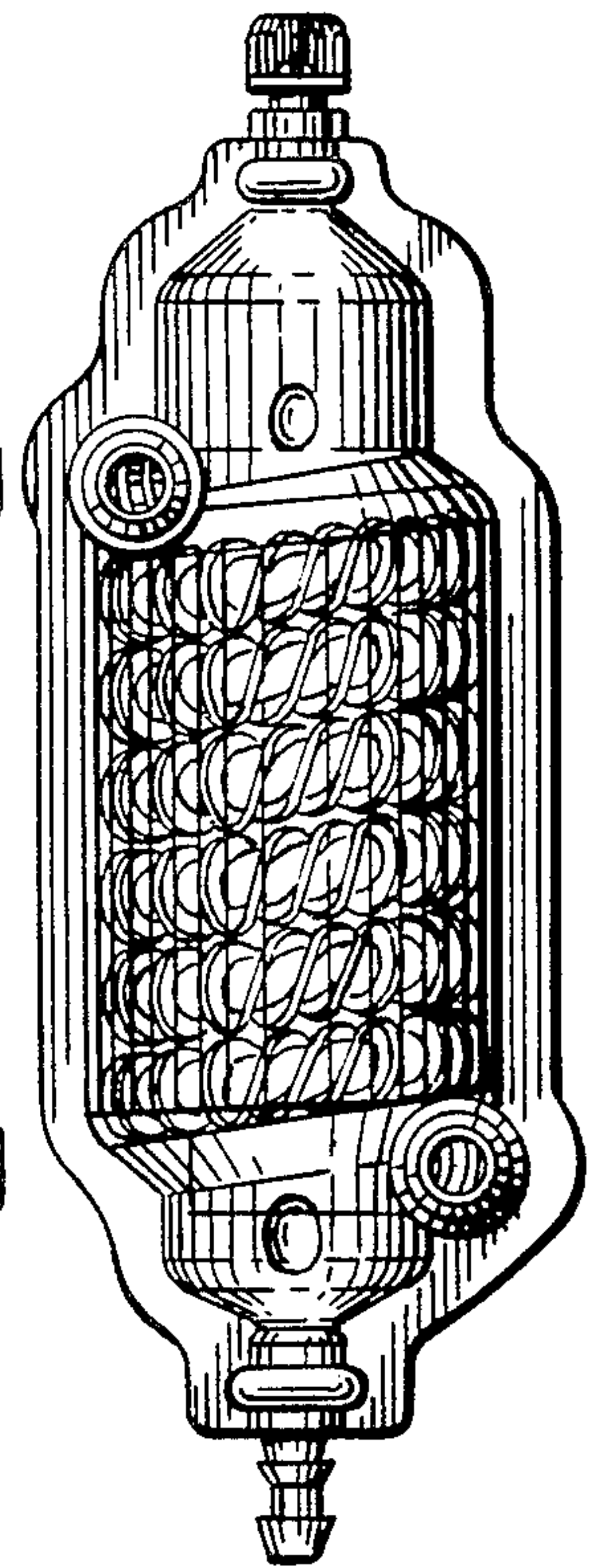
*Fig. 2.*



*Fig. 1.*



*Fig. 3.*



*Fig. 5.*

