

[54] FIREPLACE STOVE FACADE UNIT

4,465,055 8/1984 Bortz 126/123

[76] Inventor: David W. Aseltine, Rte. #1, Box 4030, Waterbury Center, Vt. 05677

Primary Examiner—Catherine E. Kemper
Attorney, Agent, or Firm—Thomas N. Neiman

[**] Term: 14 Years

[57] CLAIM

[21] Appl. No.: 564,568

The ornamental design for a fireplace stove facade unit, as shown and described.

[22] Filed: Dec. 22, 1983

DESCRIPTION

[52] U.S. Cl. D23/128; D23/94; D23/138.1

FIG. 1 is a frontal view of a fireplace stove facade unit showing my new design;

[58] Field of Search D23/93-97, D23/128, 138.1; 126/120, 121, 123, 126, 138-140, 190, 200, 202

FIG. 2 is a side view thereof;

FIG. 3 is a rear view thereof;

FIG. 4 is a top view;

FIG. 5 is a bottom view;

[56] References Cited

U.S. PATENT DOCUMENTS

D. 263,619	3/1982	Schwartz	D23/95
D. 269,036	5/1983	Bortz	D23/128
D. 269,037	5/1983	Bortz	D23/128
D. 269,038	5/1983	Bortz	D23/128

FIG. 6 is an enlarged view of circle A on FIG. 1;

FIG. 7 is an enlarged view of circle B on FIG. 1;

FIG. 8 is an enlarged cross-sectional view, taken along line 8-8 of FIG. 6; and

FIG. 9 is an enlarged cross-sectional view, taken along line 9-9 of FIG. 1.

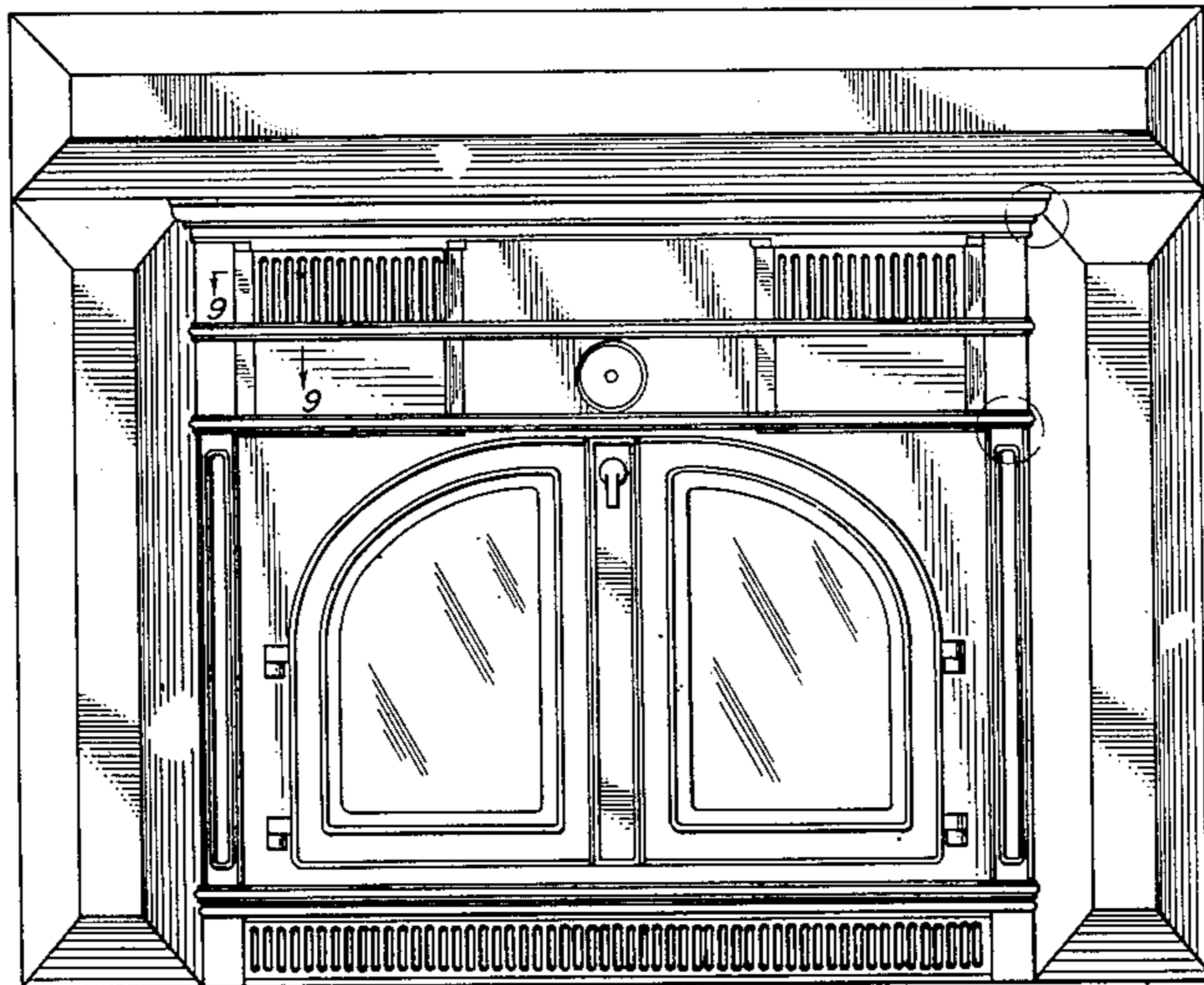


FIG. 1

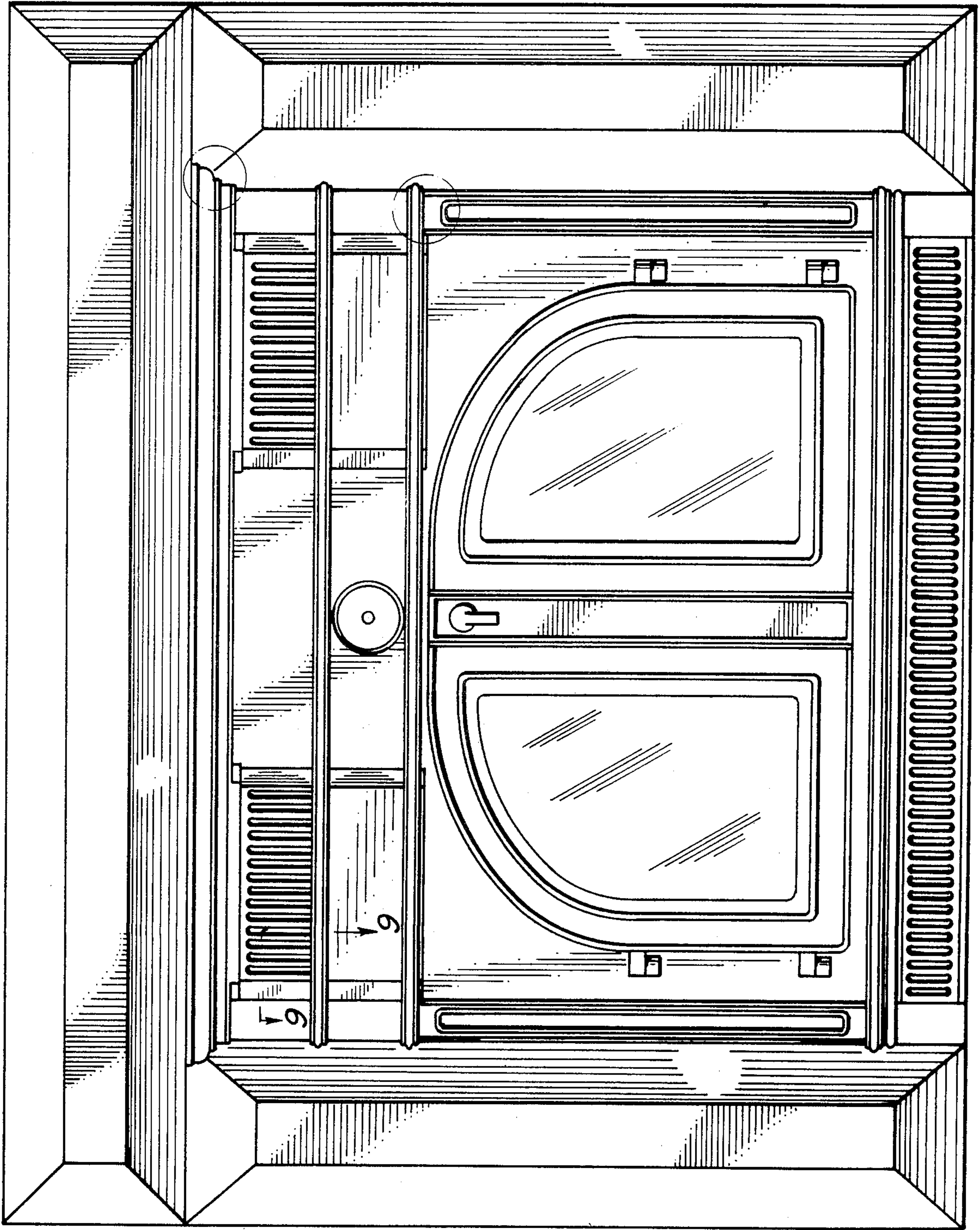


FIG. 2

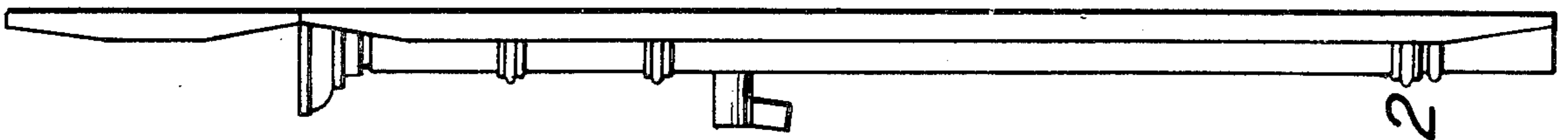
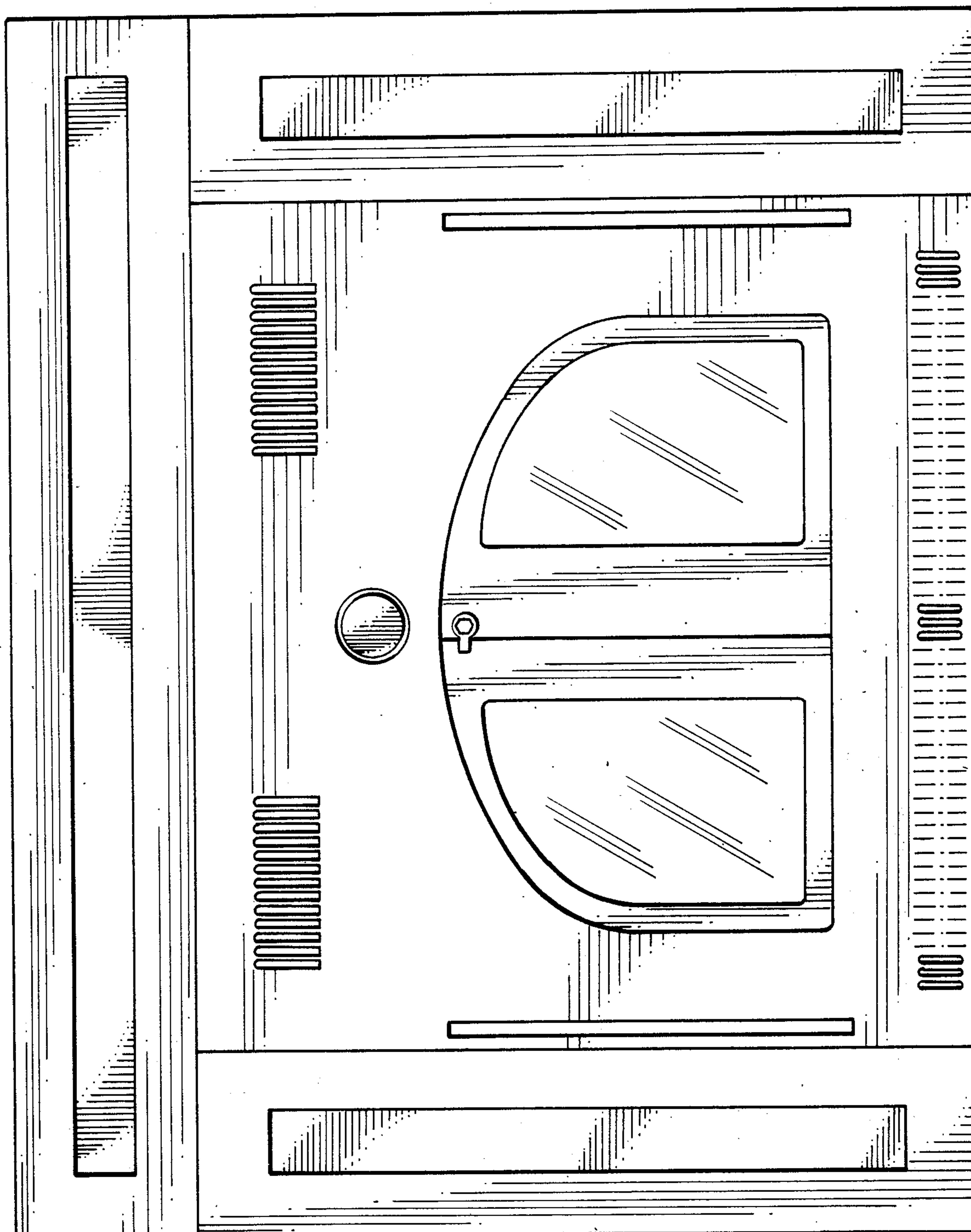


FIG. 3



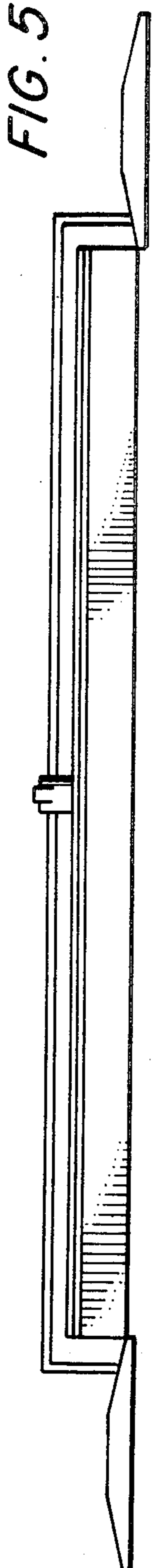
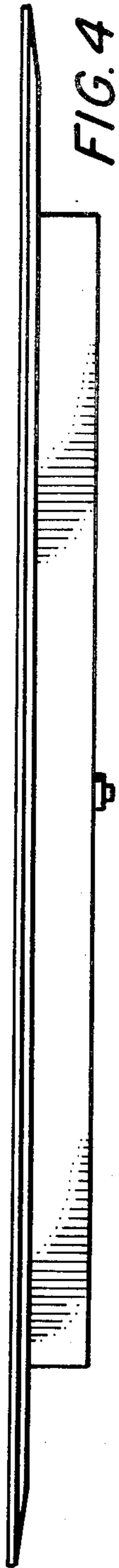


FIG. 8

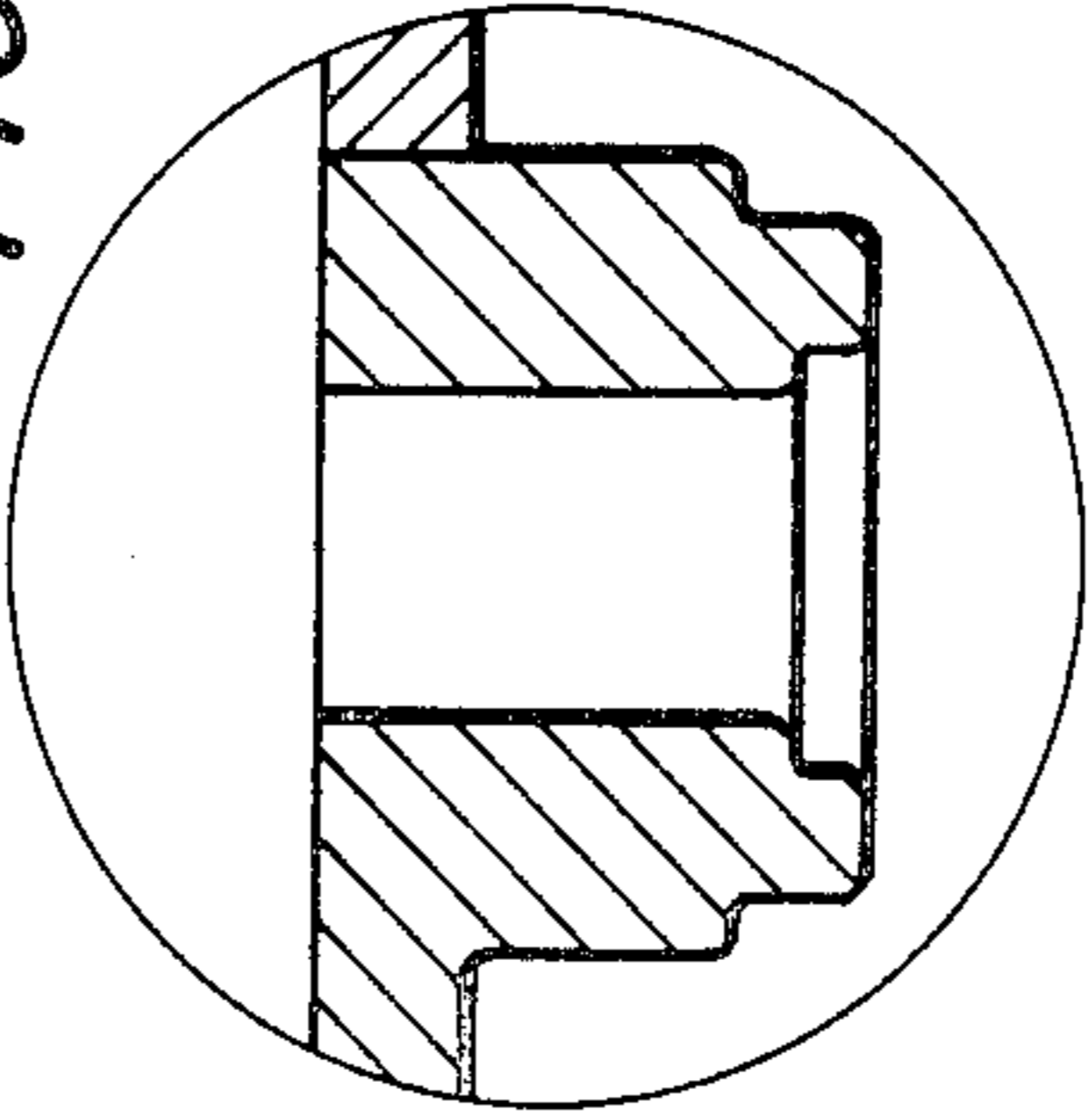


FIG. 7

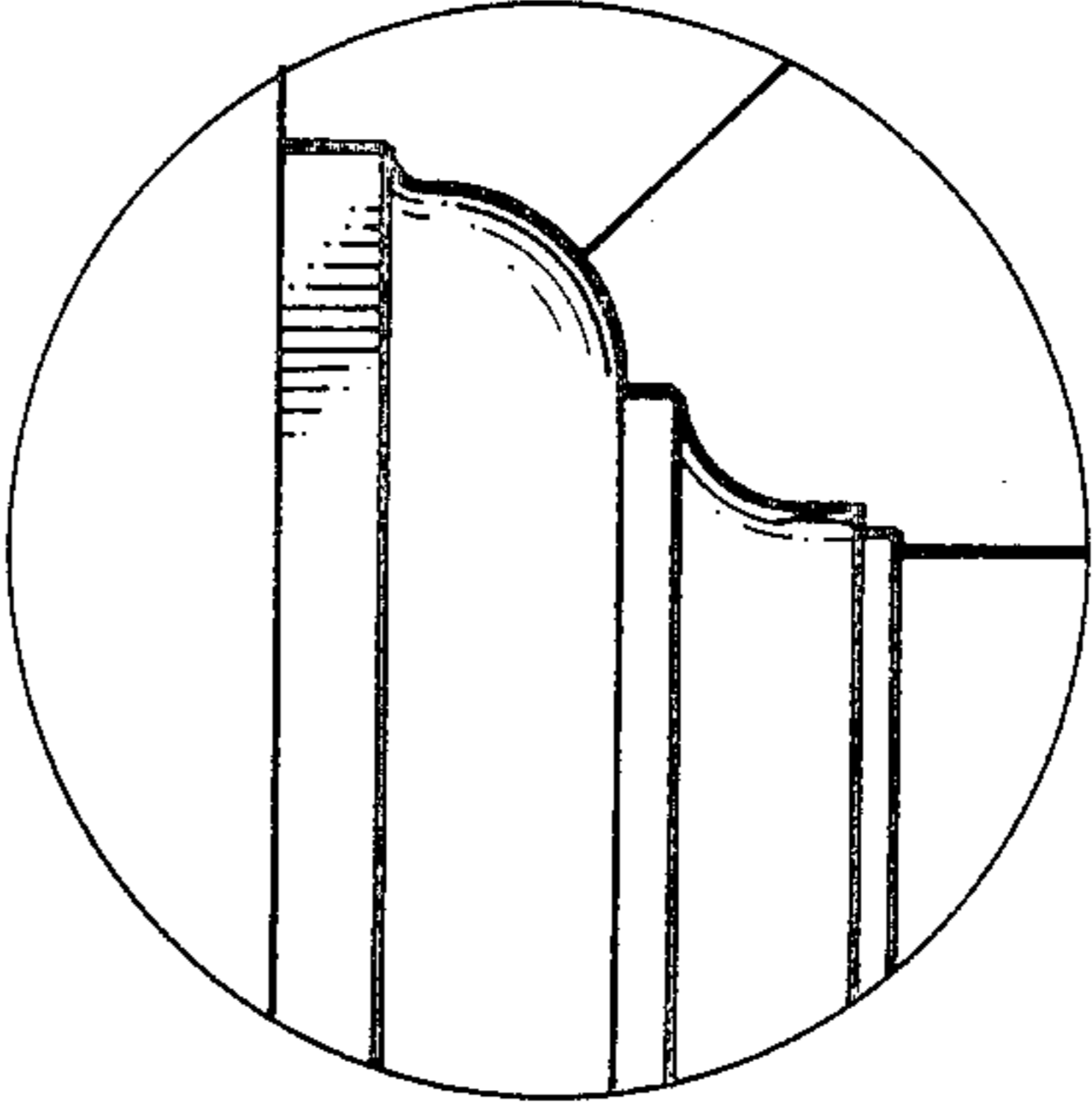


FIG. 6

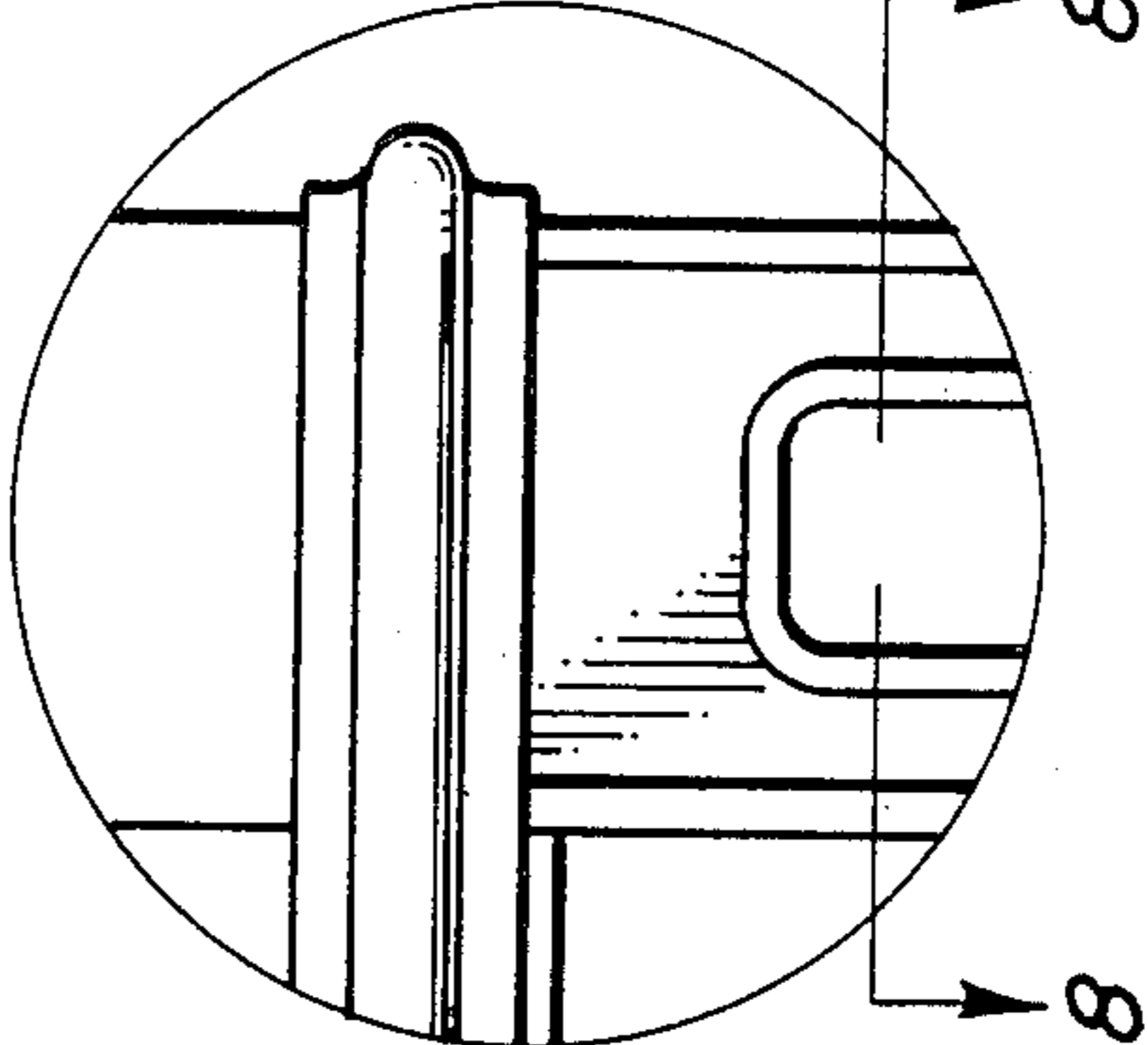


FIG. 9

