

[54] FLAPPER FLUSH VALVE FOR TOILET TANKS

[75] Inventor: Erwin F. Mikol, Park Ridge, Ill.

[73] Assignee: Beatrice Companies, Inc., Chicago, Ill.

[\*\*] Term: 14 Years

[21] Appl. No.: 464,191

[22] Filed: Feb. 7, 1983

[52] U.S. Cl. .... D23/19

[58] Field of Search ..... D23/1, 19-22, D23/33, 40; 4/392, 393, 395, 403, 404

[56] References Cited

U.S. PATENT DOCUMENTS

D. 199,223	9/1964	Rennels	.....	D23/33
D. 203,378	12/1965	Harold	.....	D23/33
D. 238,424	1/1976	Schoepe	.....	D23/19
D. 248,313	6/1978	Henry	.....	D23/19
D. 248,404	7/1978	Henry	.....	D23/19
2,767,406	10/1956	Bennett	.....	4/392
3,702,012	11/1972	Bennett	.....	4/392
3,707,733	1/1973	Gore et al.	.....	4/393
4,419,773	12/1983	Sullivan	.....	4/395 X

4,497,076 2/1983 Sullivan ..... 4/395 X

Primary Examiner—James R. Largen  
Attorney, Agent, or Firm—McWilliams, Mann, Zummer & Sweeney

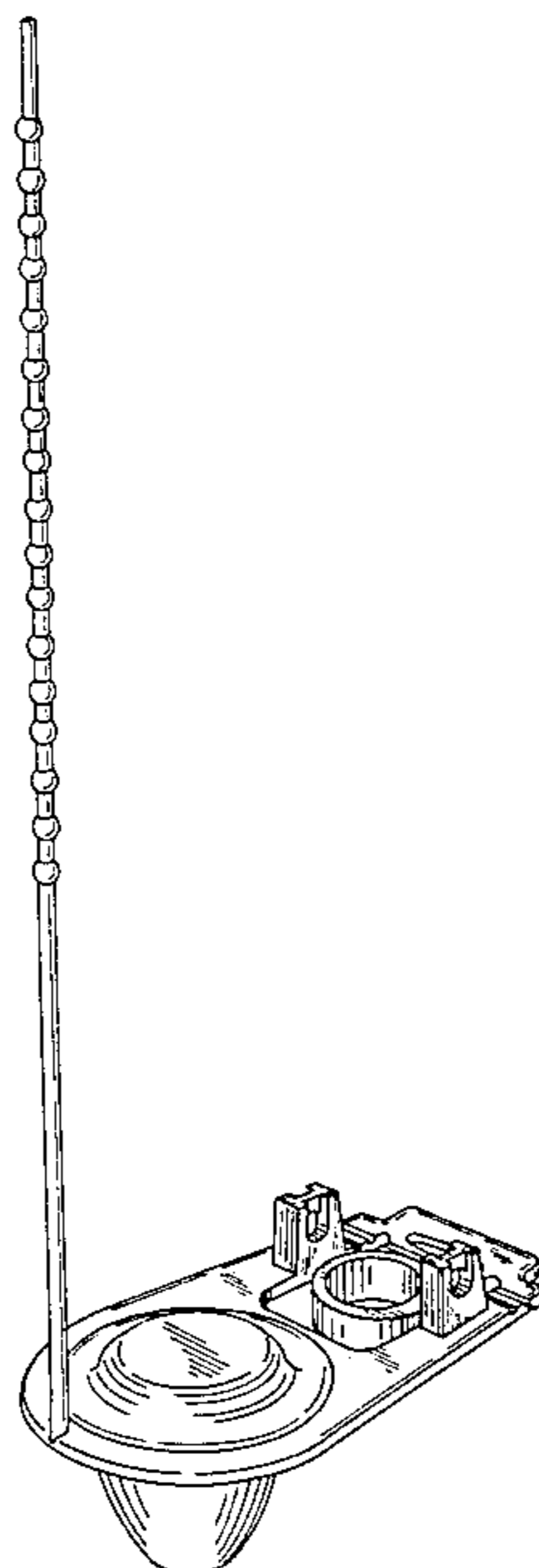
[57] CLAIM

The ornamental design for flapper flush valve for toilet tanks, substantially as shown and described.

DESCRIPTION

FIG. 1 is a front perspective view of a flapper flush valve for toilet tanks, showing my new design; FIG. 2 is a rear perspective view thereof; FIG. 3 is an enlarged front perspective view thereof; FIG. 4 is a top plan view thereof; FIG. 5 is a bottom plan view thereof; FIG. 6 is a right side elevational view thereof; FIG. 7 is a left side elevational view thereof; FIG. 8 is a rear elevational view thereof; FIG. 9 is a front elevational view thereof; and FIG. 10 is a cross sectional view taken on line 10—10 of FIG. 4.

The vertical stem has been fragmentarily shown in FIGS. 3 and 6 through 10 for convenience of illustration.



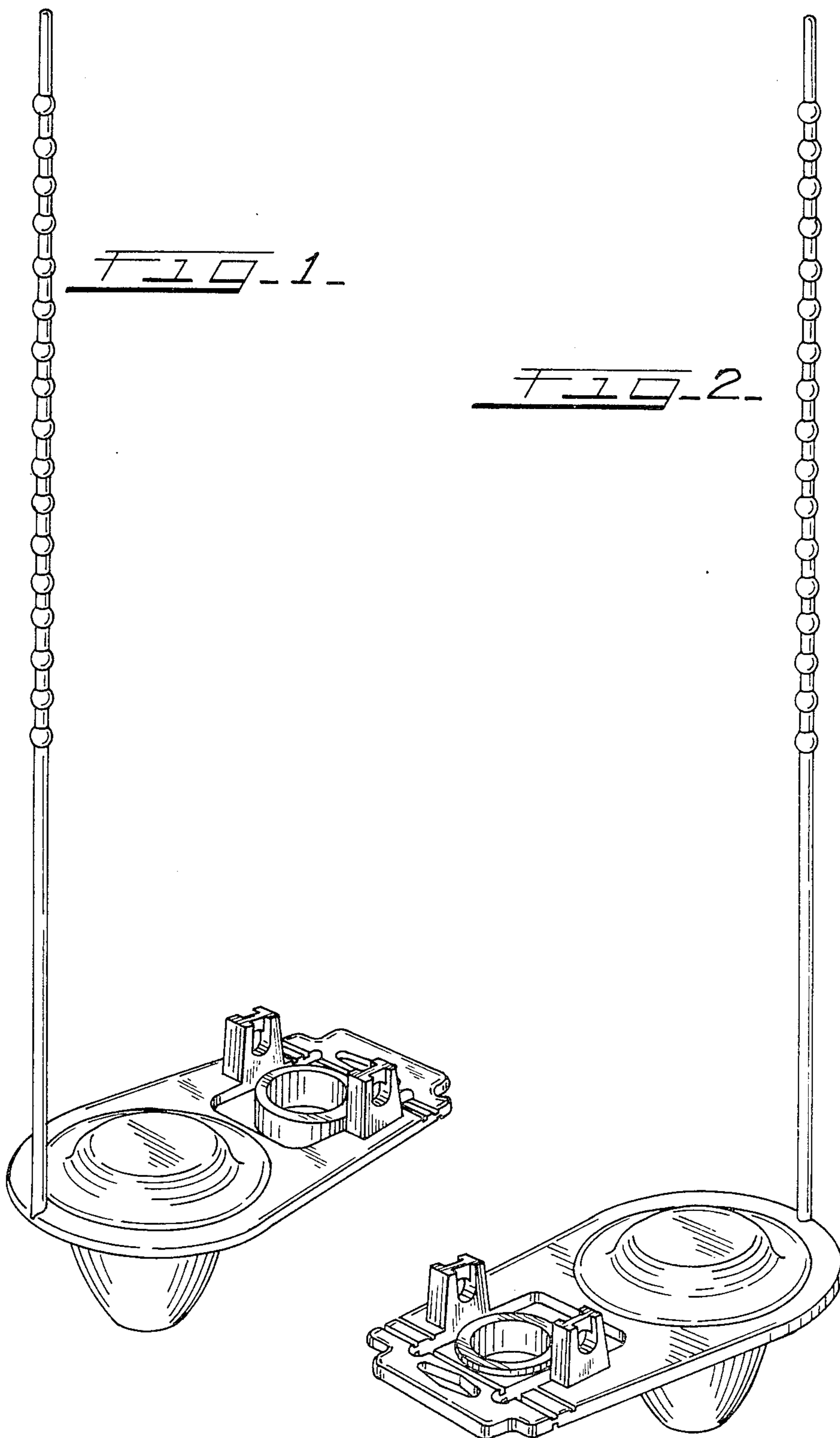


FIG. 3

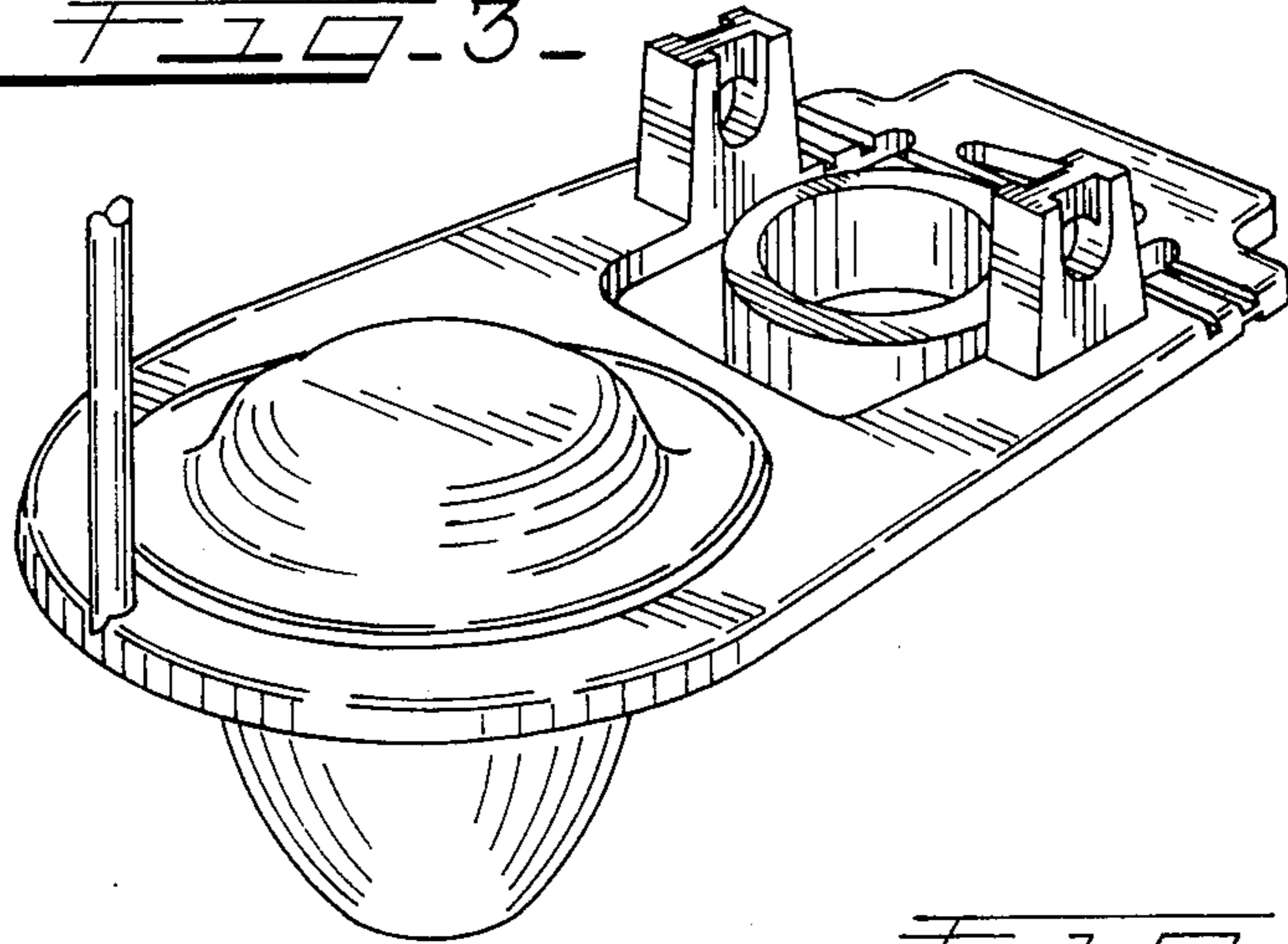


FIG. 4

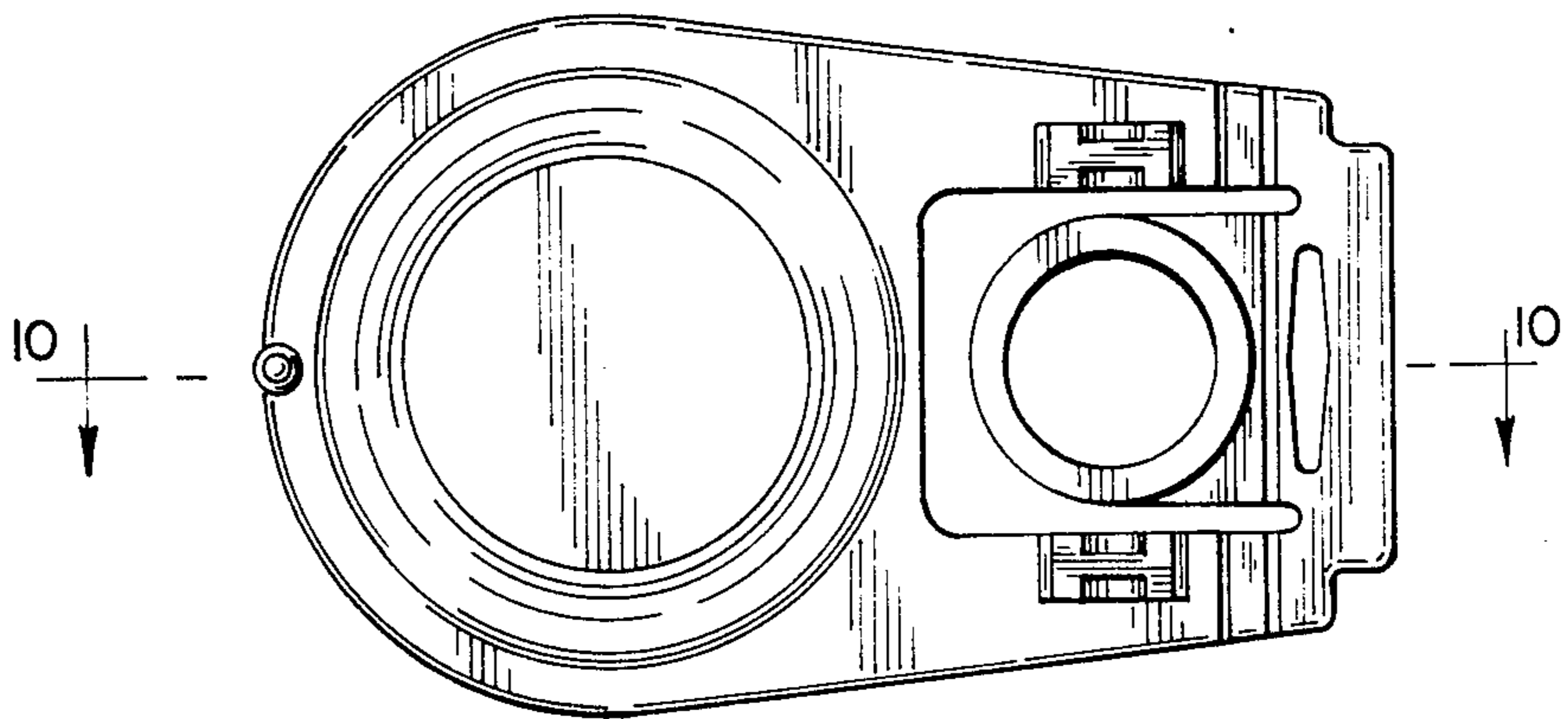


FIG. 5

