

[54] BICYCLE EXERCISER

[75] Inventor: Jouni J. Hiivola, Naantali, Finland

[73] Assignee: Tunturipyora Oy, Naantali, Finland

[**] Term: 14 Years

[21] Appl. No.: 469,267

[22] Filed: Feb. 24, 1983

[30] Foreign Application Priority Data

Aug. 26, 1982 [FI] Finland 726/82

[52] U.S. Cl. D21/194

[58] Field of Search D21/194; 272/70.3, 73,
272/132, DIG. 6; 73/379

[56] References Cited

U.S. PATENT DOCUMENTS

D. 224,329	7/1972	Hjelmquist	D21/194
D. 250,135	10/1978	Moyski et al.	D21/194
3,833,216	9/1974	Philbin	272/73
3,995,491	12/1976	Wolfla	272/73

OTHER PUBLICATIONS

Sporting Goods Dealer, 8-1982, p. 62, "Trainer-862" Exercise Bike.

AMF Whitney Products Catalog, 1980, "TR8000" Exercise Bike.

Sporting Goods Dealer, 5-1980, p. 106, Exercise Bikes.

Primary Examiner—Charles A. Rademaker

Attorney, Agent, or Firm—Fleit, Jacobson, Cohn & Price

[57] CLAIM

The ornamental design for a bicycle exerciser, as shown and described.

DESCRIPTION

FIG. 1 is a side perspective view of a bicycle exerciser showing my new design;

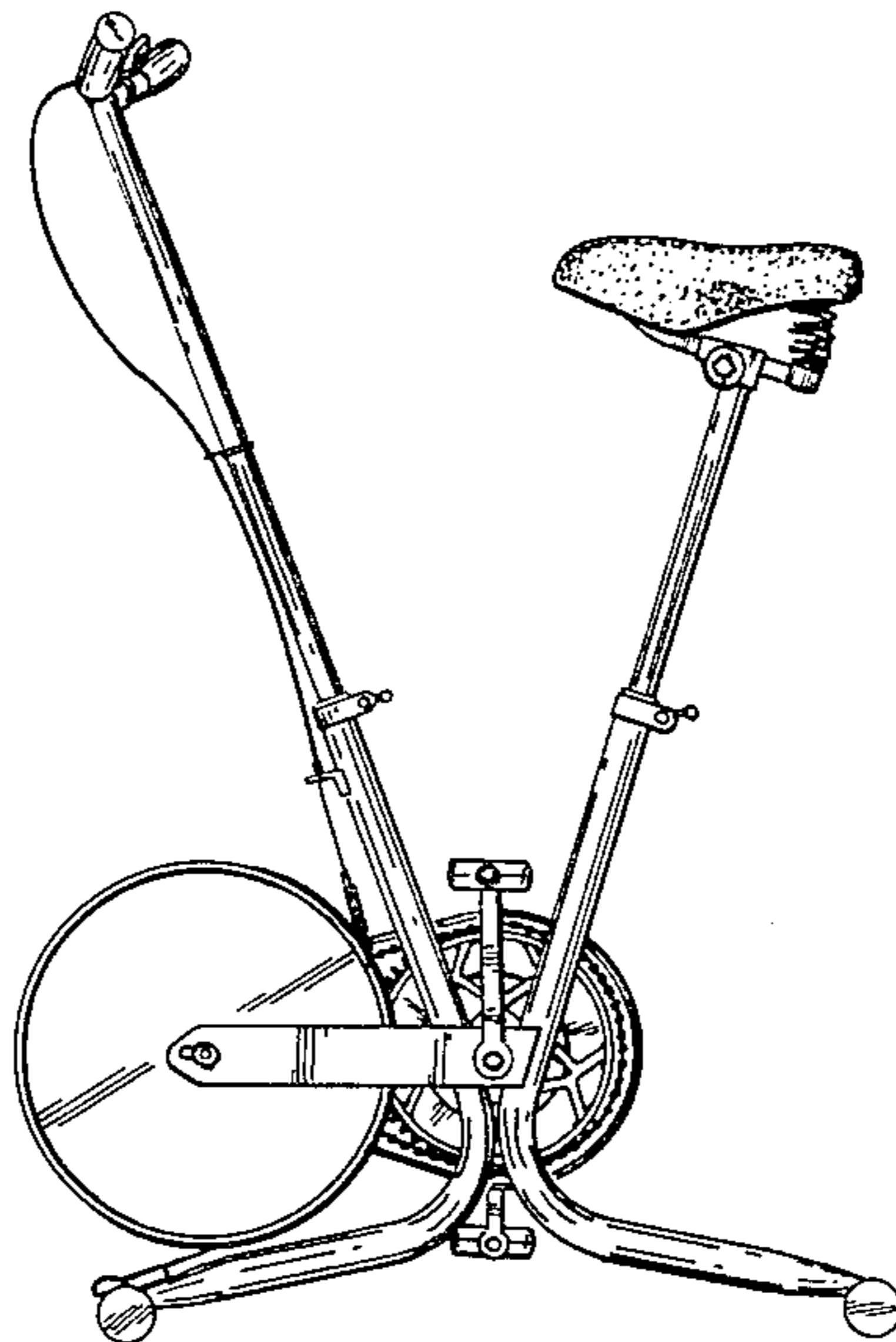
FIG. 2 is another side perspective view thereof showing the side opposite that shown in FIG. 1;

FIG. 3 is a front perspective view thereof;

FIG. 4 is a rear perspective view thereof;

FIG. 5 is a top perspective view thereof; and

FIG. 6 is a bottom perspective view thereof.



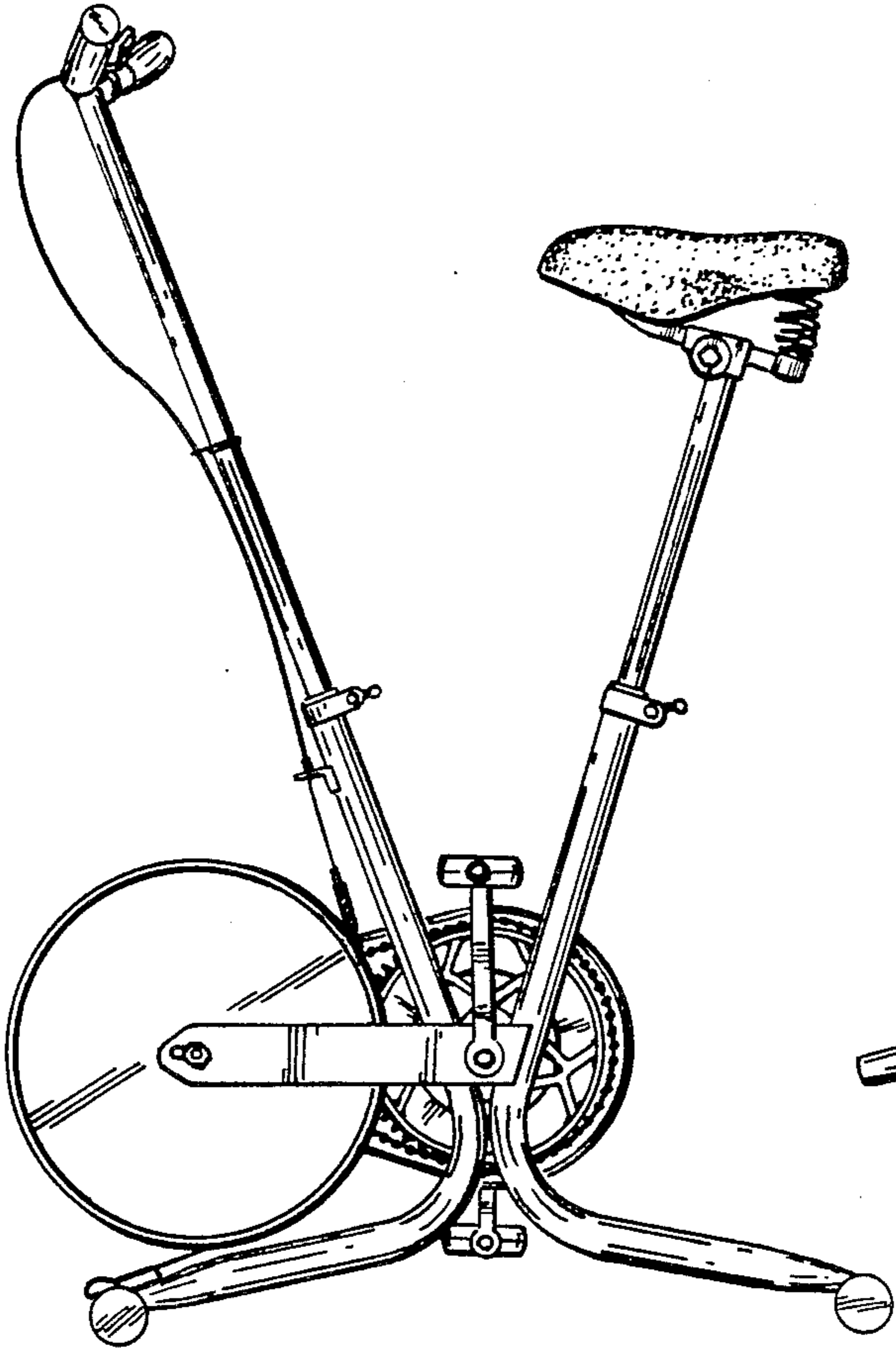


FIG. 1

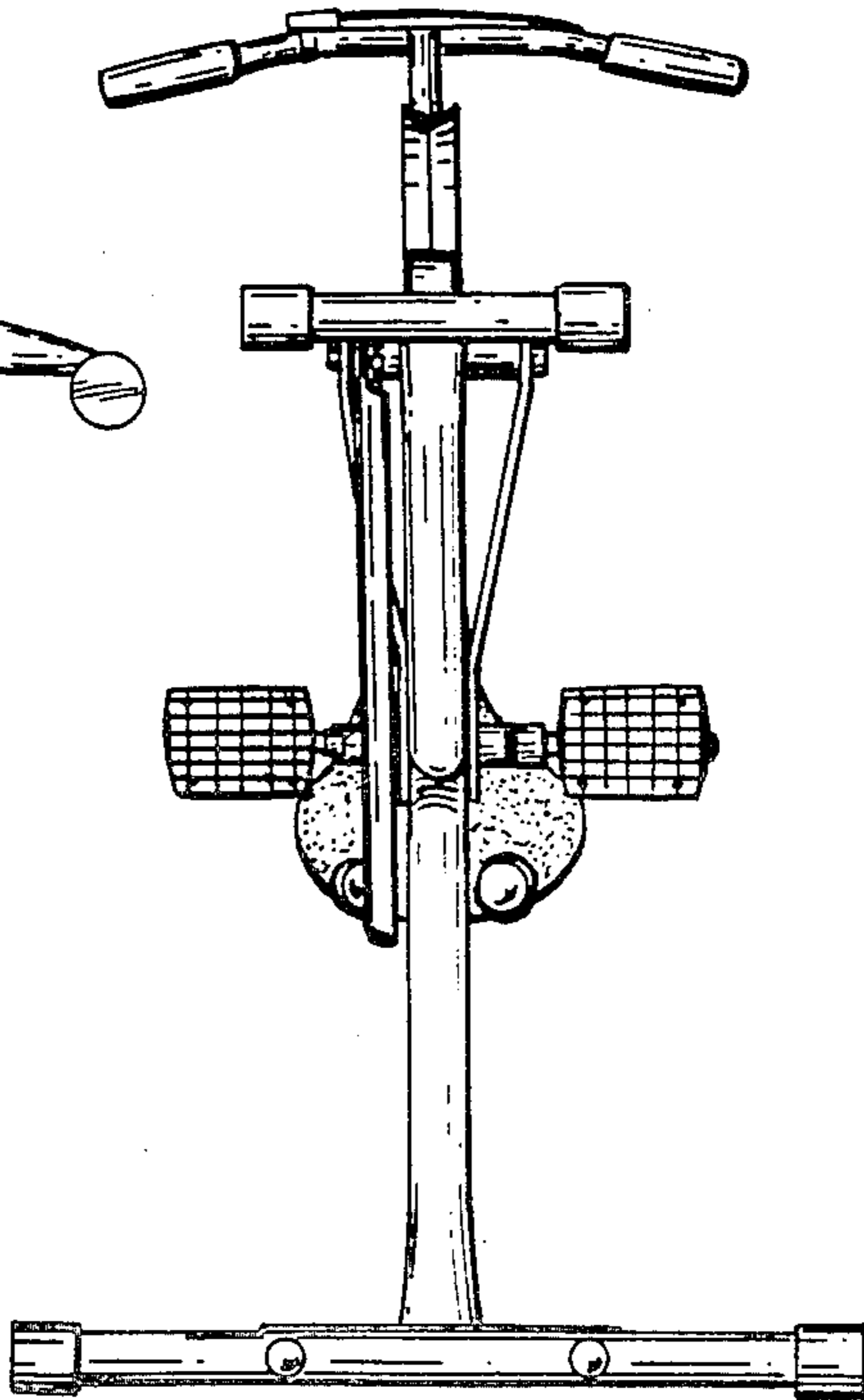


FIG. 6

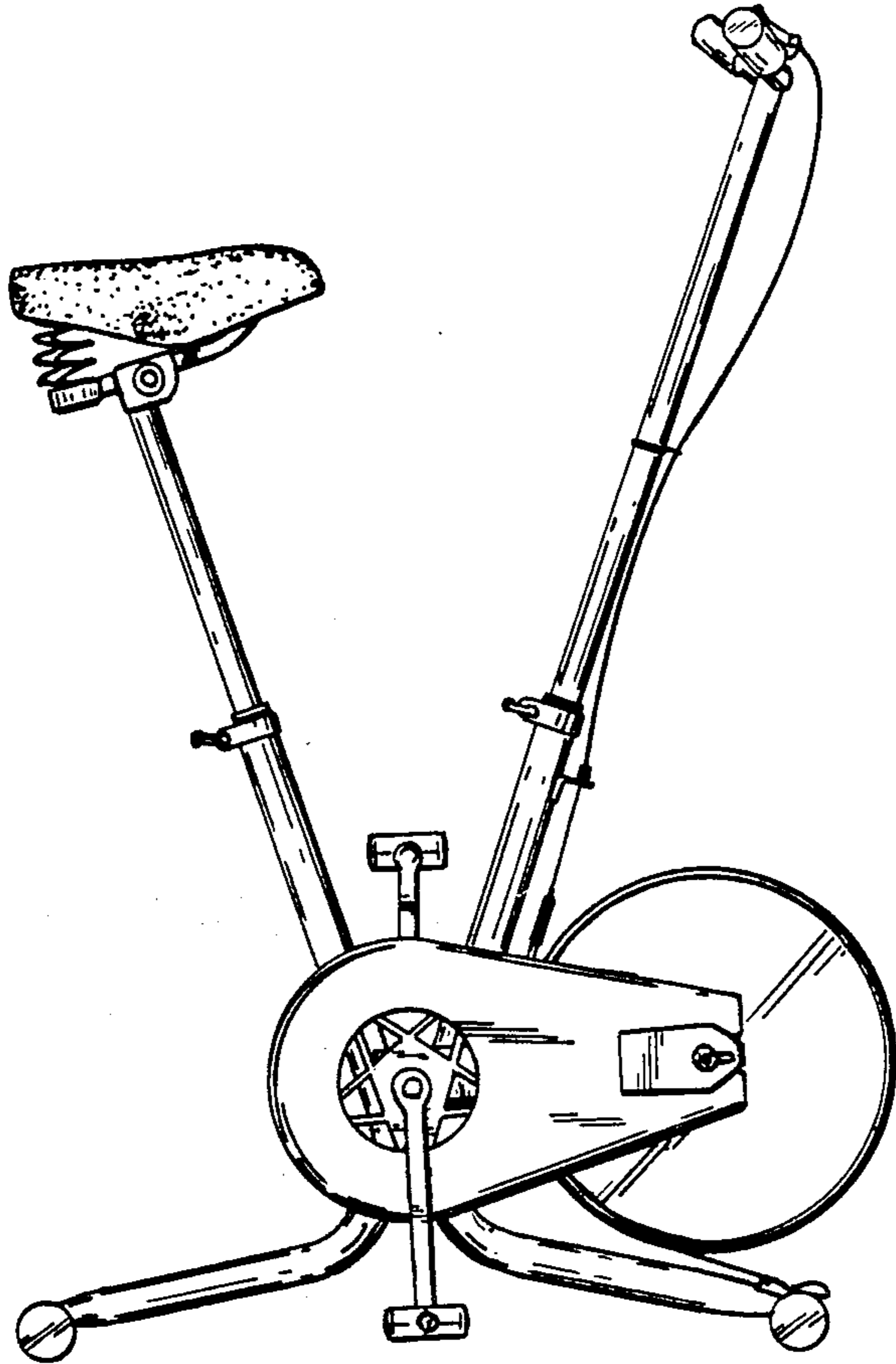


FIG. 2

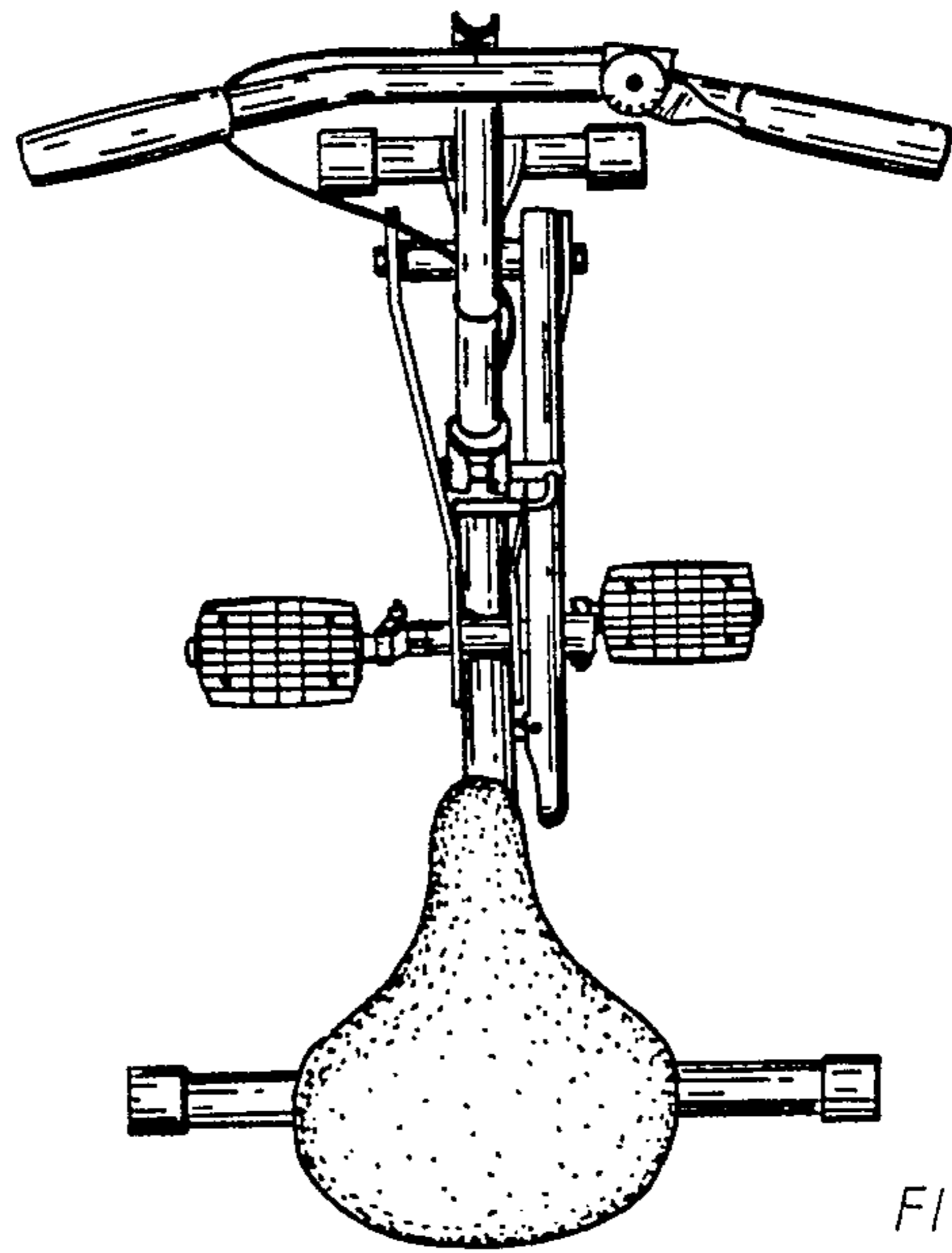


FIG. 5

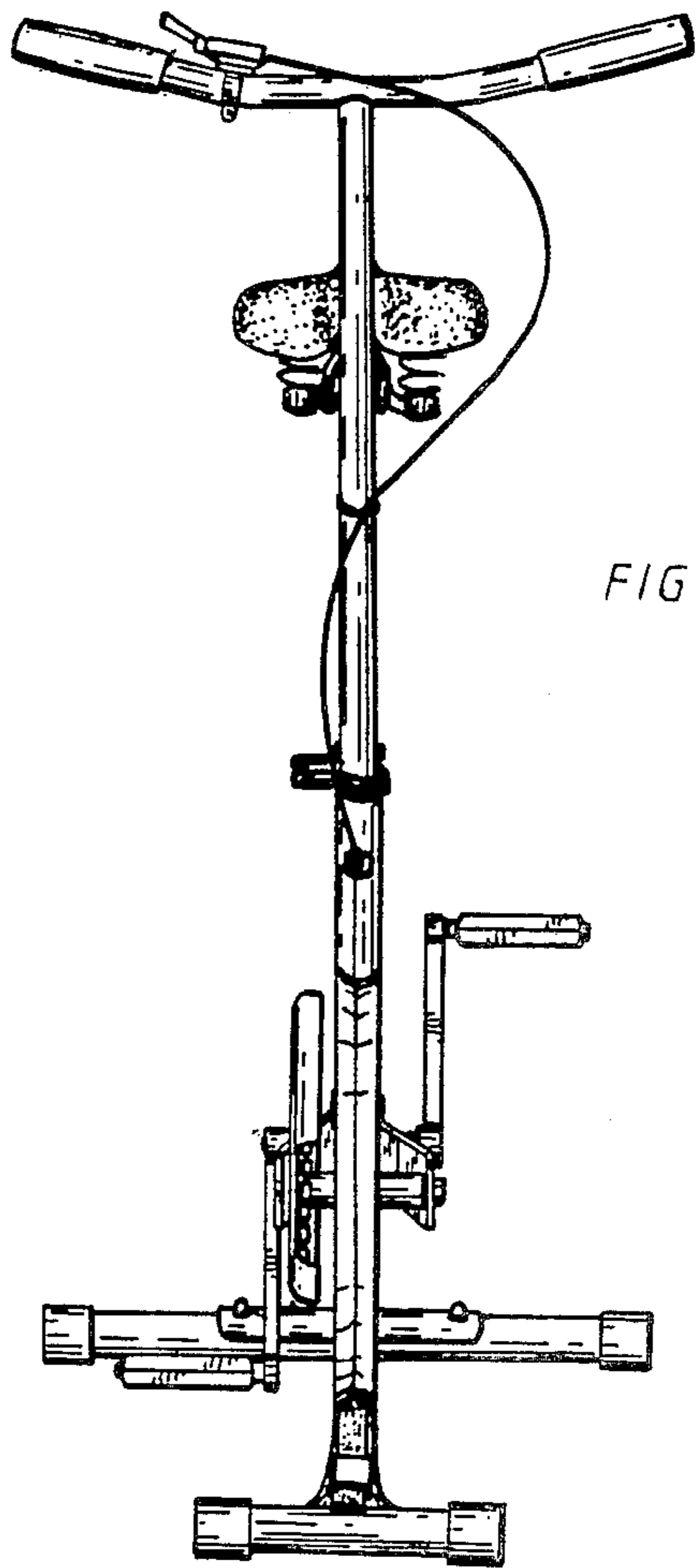


FIG. 3

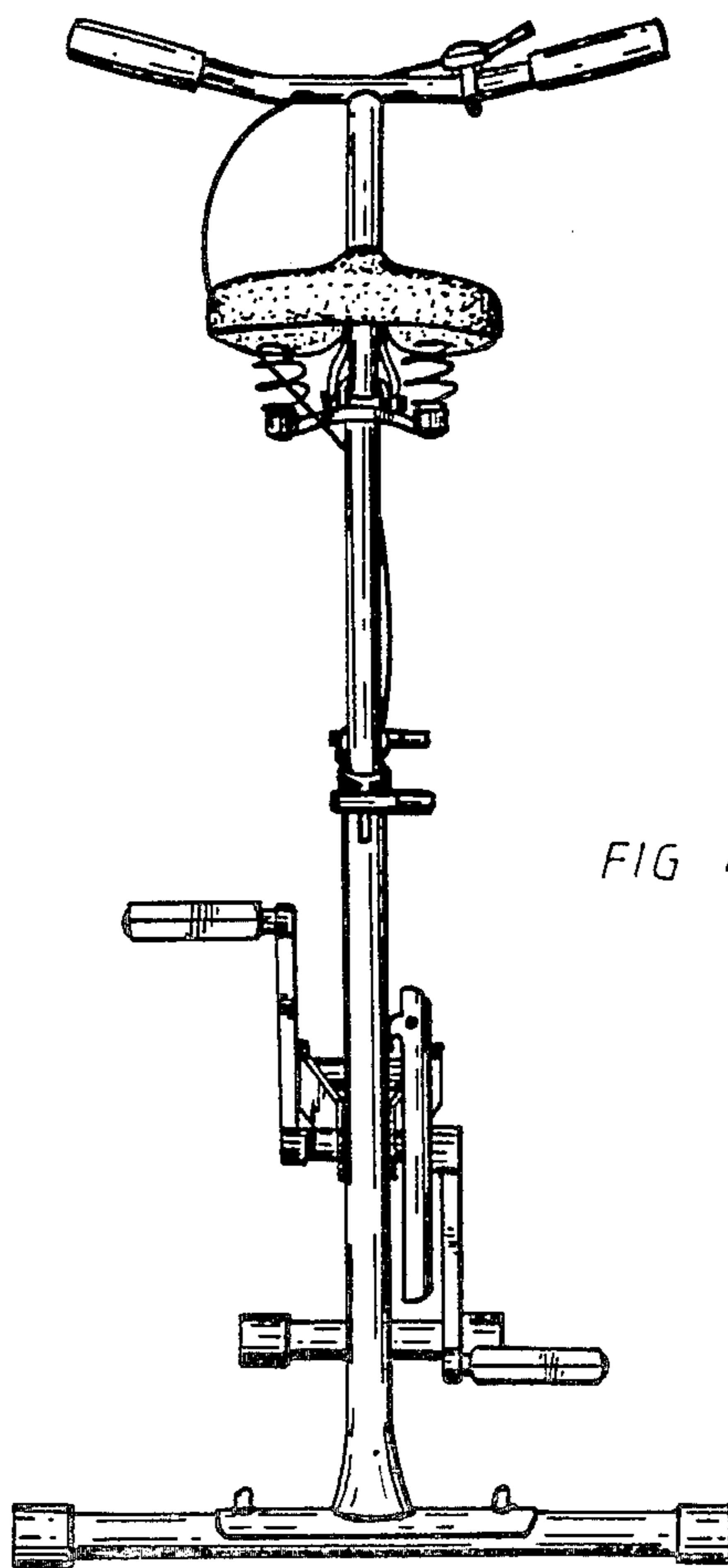


FIG 4