

[54] BICYCLE EXERCISER

[75] Inventor: John R. Kirby, Short Hills, N.J.

[73] Assignee: J. A. Preston Corporation, Clifton, N.J.

[**] Term: 14 Years

[21] Appl. No.: 612,968

[22] Filed: May 23, 1984

[52] U.S. Cl. D21/194

[58] Field of Search D21/191-199;
272/73, 79, DIG. 3, 132

[56] References Cited

U.S. PATENT DOCUMENTS

- D. 219,663 1/1971 Thompson D21/194
- D. 226,670 4/1973 Nickels et al. D21/194
- 3,259,385 7/1966 Boren 272/73

- 3,622,153 11/1971 Thompson 272/73
- 4,390,177 6/1983 Biran et al. 272/73

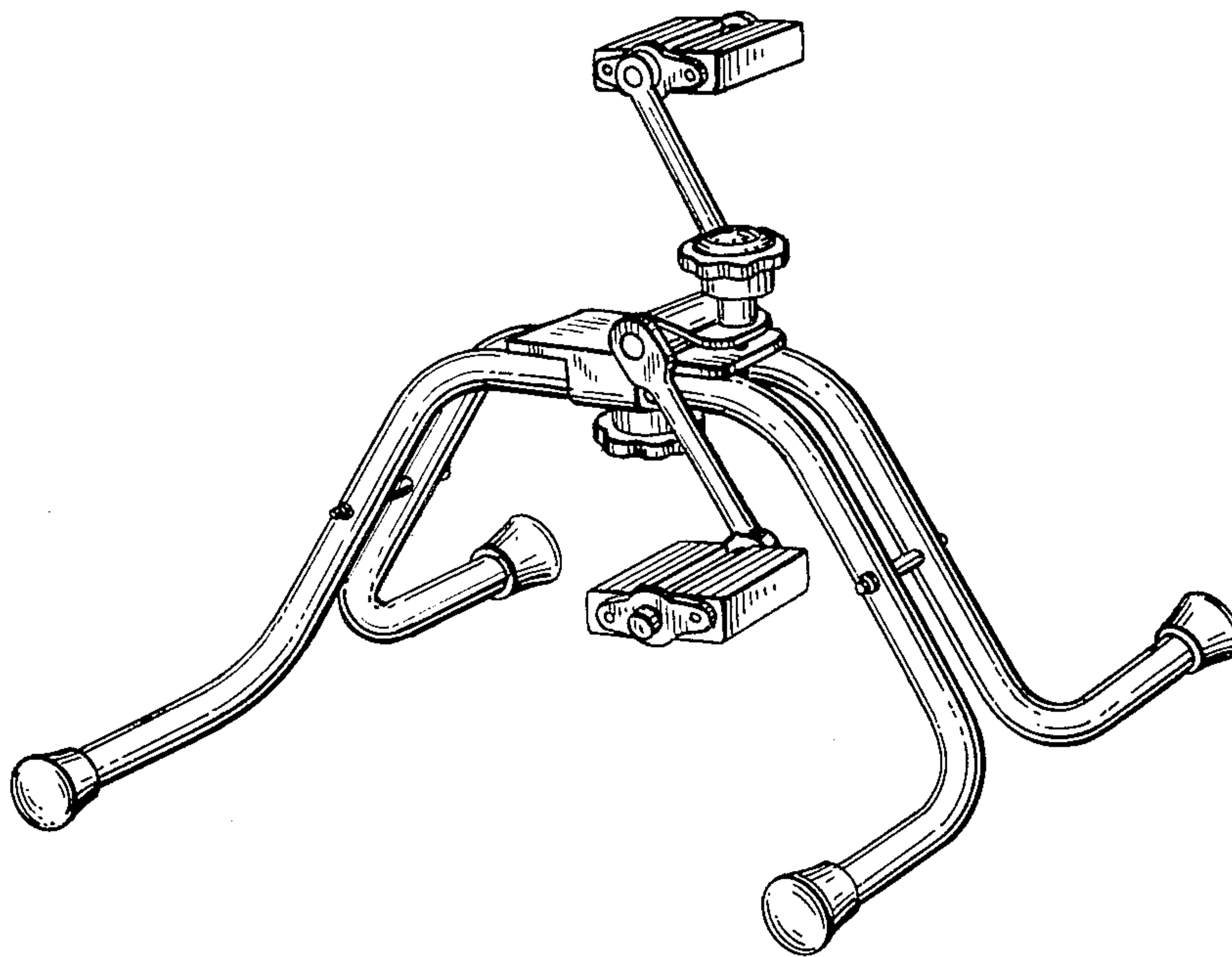
Primary Examiner—Charles A. Rademaker
Attorney, Agent, or Firm—Blum, Kaplan, Friedman,
Silberman & Beran

[57] CLAIM

The ornamental design for a bicycle exerciser, as shown and described.

DESCRIPTION

FIG. 1 is a perspective view of a bicycle exerciser showing my new design;
 FIG. 2 is a top plan view thereof;
 FIG. 3 is a left side elevational view, the right side elevational being identical thereof;
 FIG. 4 is a rear elevational view, the front elevational view being identical thereof; and
 FIG. 5 is a bottom plan view thereof.



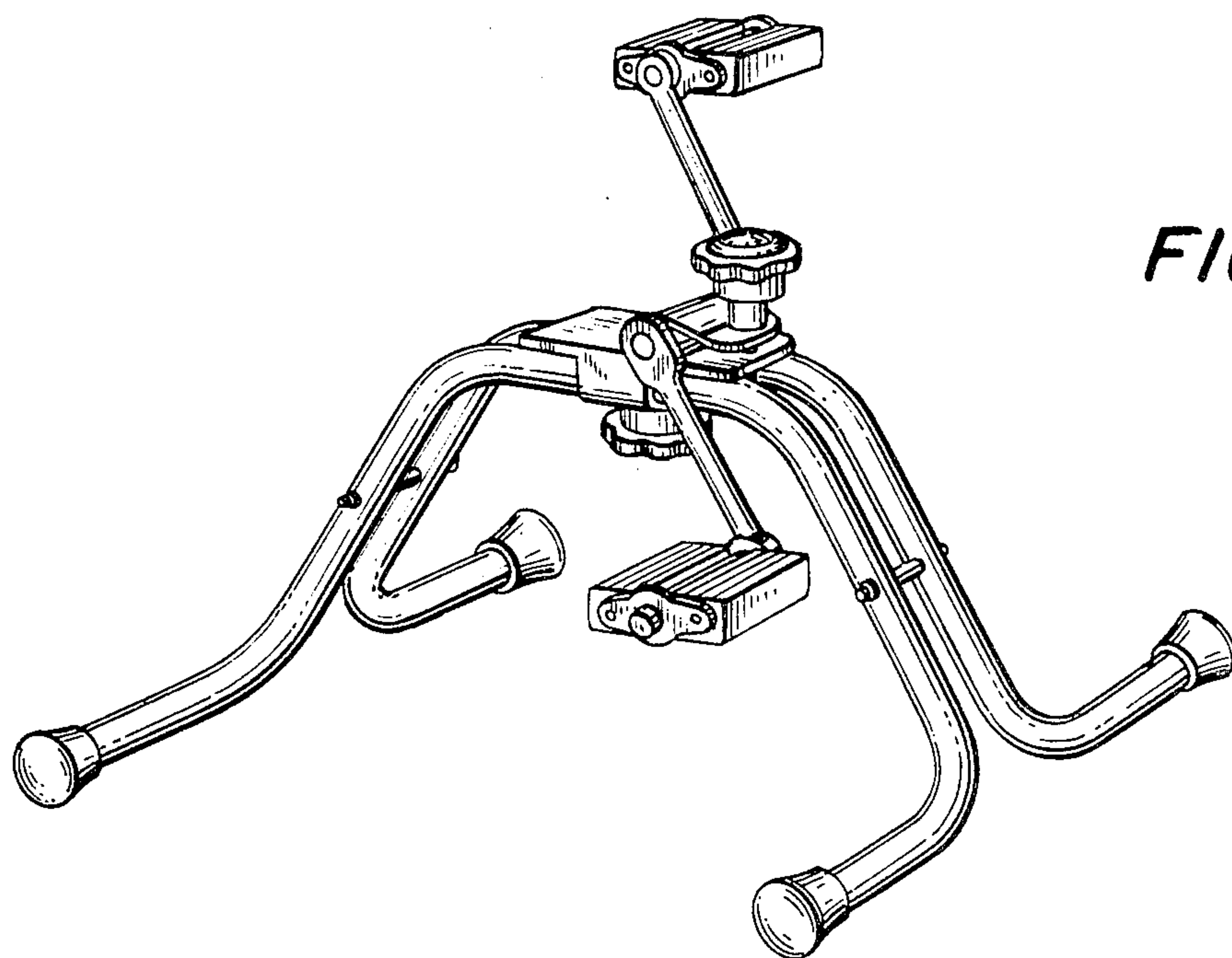
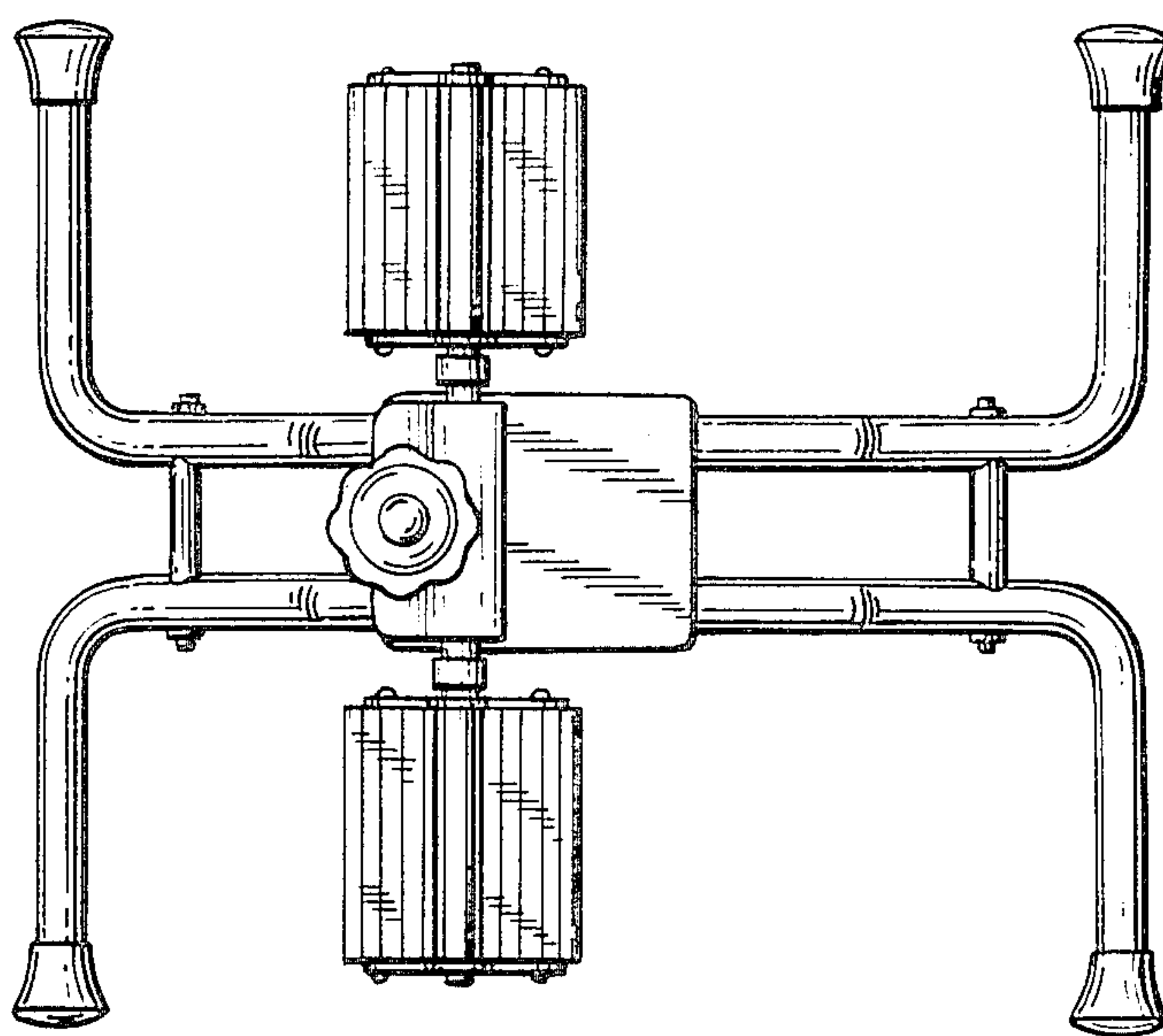


FIG. 1

FIG. 2



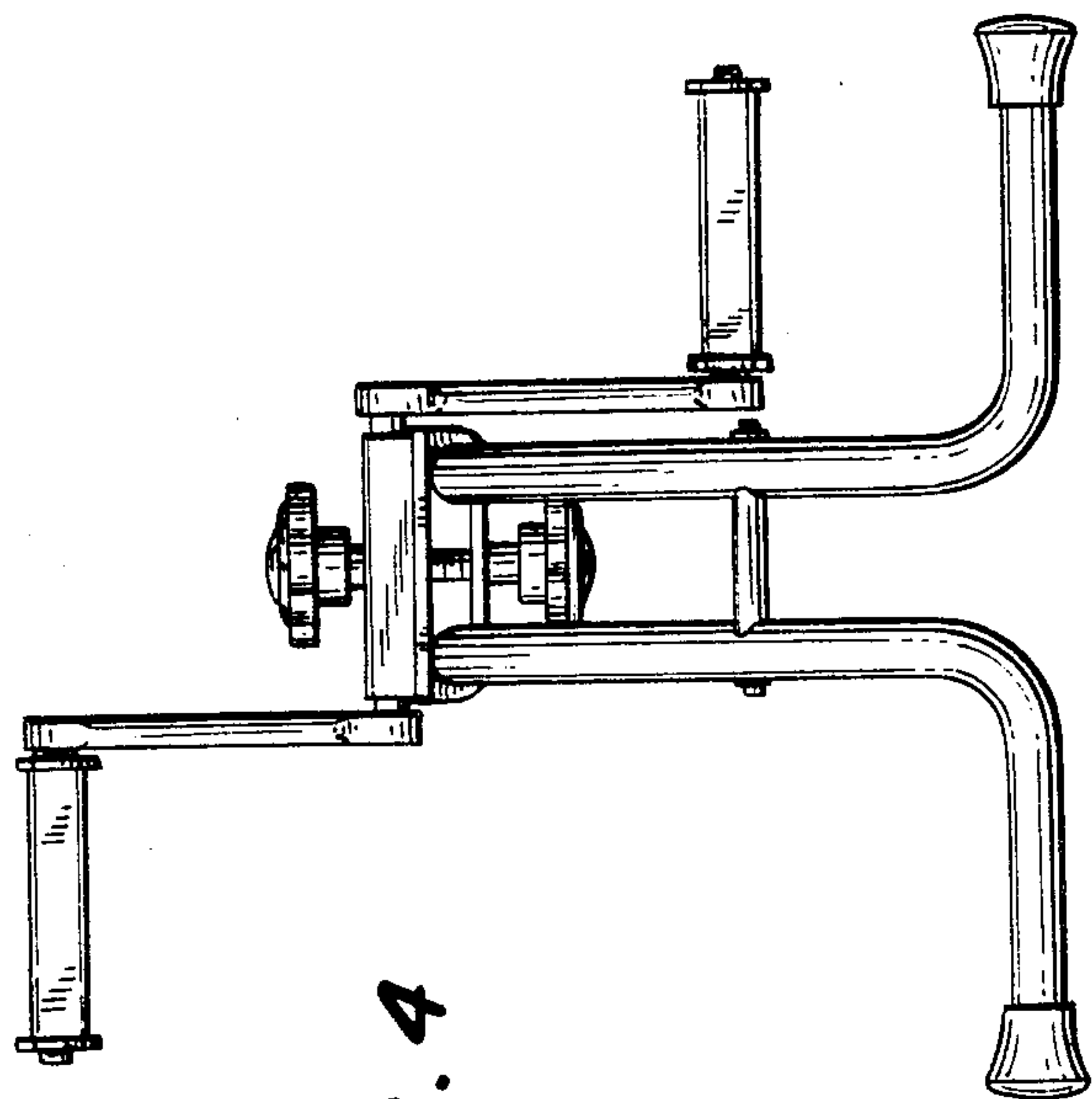


FIG. 4

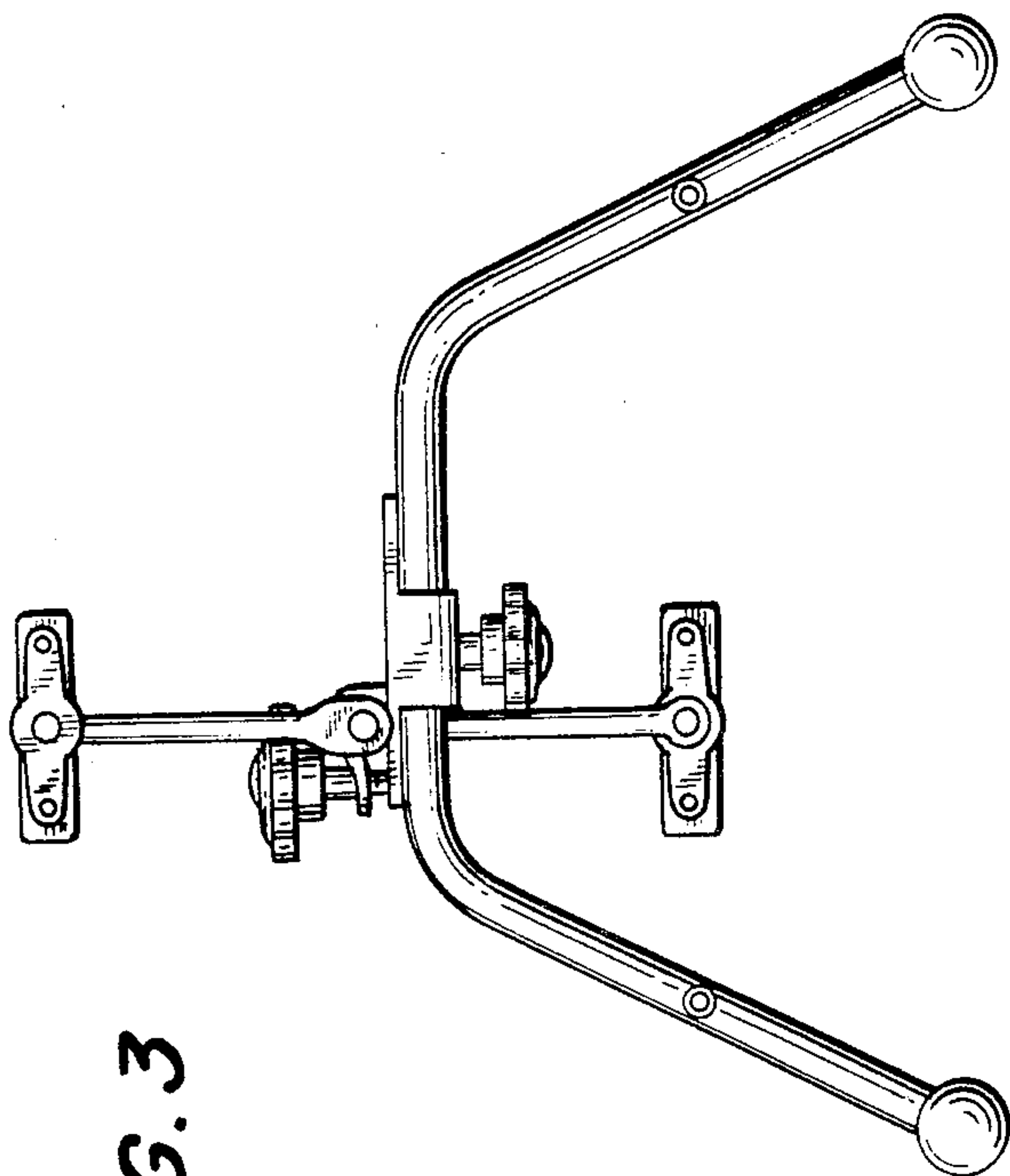


FIG. 3

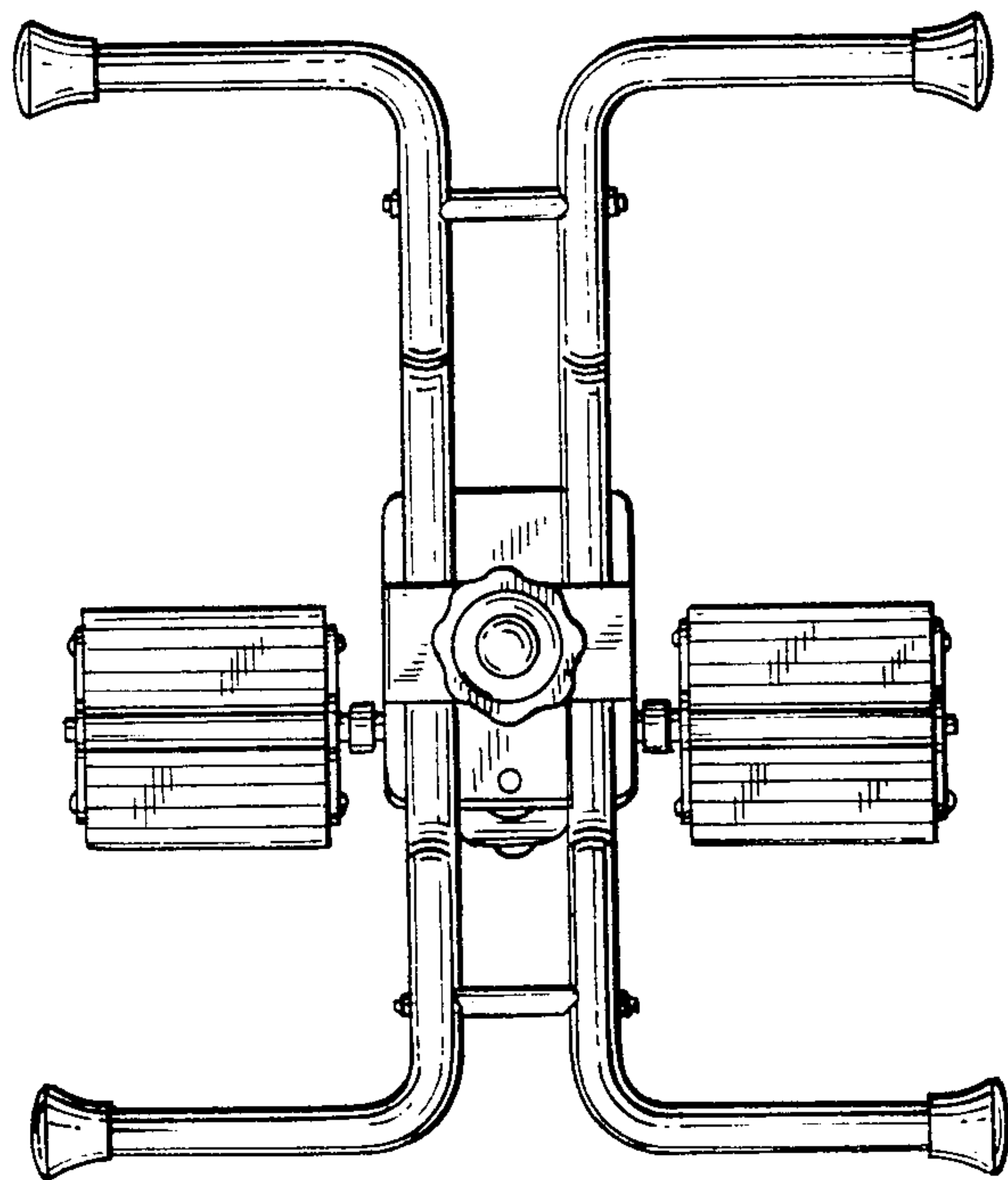


FIG. 5